



US00D605935S

(12) **United States Design Patent**
Zeyfang

(10) **Patent No.:** **US D605,935 S**
(45) **Date of Patent:** **** Dec. 15, 2009**

- (54) **ERGONOMIC END CAP**
- (75) Inventor: **Frederick W. Zeyfang**, Erie, PA (US)
- (73) Assignee: **Protective Industries, Inc.**, Buffalo, NY (US)
- (**) Term: **14 Years**
- (21) Appl. No.: **29/300,399**
- (22) Filed: **Mar. 21, 2008**
- (51) **LOC (9) Cl.** **08-09**
- (52) **U.S. Cl.** **D8/402**
- (58) **Field of Classification Search** D8/300, D8/301, 307, 310, 312, 319-320, 376-378, D8/400-499, 20-29, 55, 61, 93, 98-100, D8/102-107, 303; D9/443; D6/524; D26/154; 211/87.01; 428/28; 16/110.1, 414, 417, 16/441, 427, 422, 436, 421, 430-431, 429, 16/124.6, DIG. 12, DIG. 18, DIG. 19; D4/132-138; D7/393, 395, 401.1, 401.2, 649, 695; D22/104, D22/118, 207; D24/207; 15/143.1, 159.1, 15/160, 168, 175, 194.1, 192; 81/177.1-177.9, 81/489, 3.2, 436, 439-440, 60-63, 477, 479, 81/52; 73/862.23; 30/164.5, 151-162
See application file for complete search history.

- (56) **References Cited**
- U.S. PATENT DOCUMENTS
- 298,592 A * 5/1884 Kroder 428/28
- 963,053 A * 7/1910 Lockwood 16/441
- 1,346,117 A 7/1920 Ehnborn
- 1,429,428 A 9/1922 Hipwood
- 1,444,834 A 2/1923 Hindmarsh
- 1,464,057 A 8/1923 Bell
- 1,663,622 A 3/1928 Atkinson
- 1,932,056 A * 10/1933 Weatherhead, Jr. 16/441
- D126,506 S * 4/1941 Derry D13/134
- 2,321,667 A 6/1943 Foster
- 2,379,529 A 7/1945 Kennedy
- D195,629 S * 7/1963 Borah D21/721

- 3,191,465 A * 6/1965 Parker 173/93
- D233,507 S * 11/1974 Stevens D9/453
- 3,992,570 A 11/1976 Beinhaur
- 4,095,810 A 6/1978 Kulle
- 4,106,723 A * 8/1978 Couture 242/118.3
- 4,202,378 A 5/1980 Bush et al.
- D262,093 S 12/1981 Bush et al.
- 4,335,756 A 6/1982 Sharp et al.
- D296,651 S * 7/1988 de Armas D8/29
- D301,681 S * 6/1989 Jans D8/312
- D319,955 S * 9/1991 Keller et al. D8/21
- D325,622 S * 4/1992 Bengtson D23/252
- D328,419 S * 8/1992 Brayford D8/402
- 5,254,977 A * 10/1993 MacDonald 345/591
- D348,509 S * 7/1994 Bollenbacher D23/254
- 5,551,124 A * 9/1996 Zeringue 16/441
- 5,729,941 A 3/1998 Kassardjian

(Continued)

Primary Examiner—Cathron C Brooks
Assistant Examiner—Barbara Fox

(57) **CLAIM**

The ornamental design for an ergonomic end cap, as shown and described.

DESCRIPTION

FIG. 1 is a perspective view of an ergonomic end cap showing my new design;

FIG. 2 is a side view of the ergonomic end cap, with all side views being identical;

FIG. 3 is a top view of the ergonomic end cap of FIG. 1;

FIG. 4 is a bottom view of the ergonomic end cap of FIG. 1;

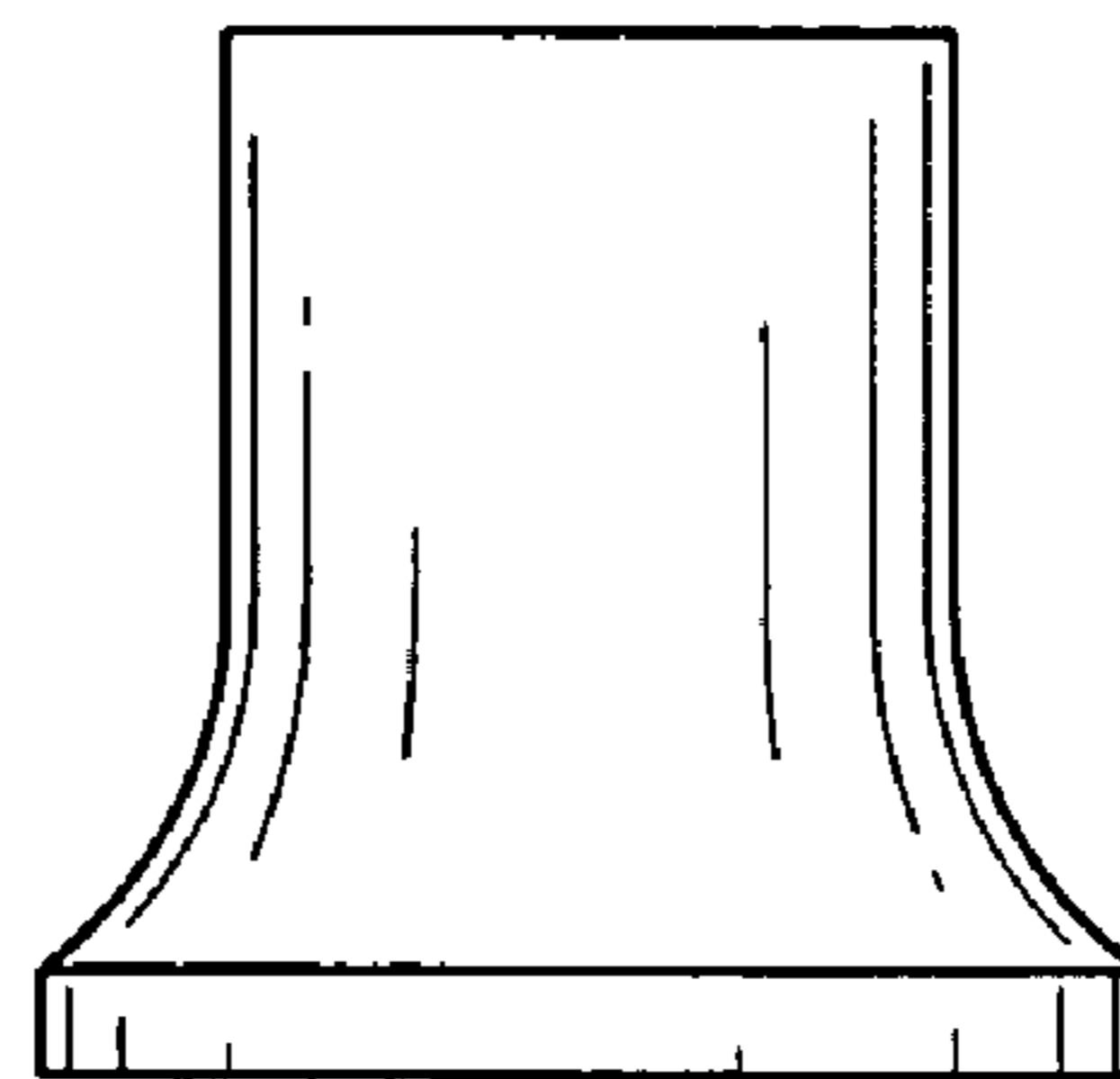
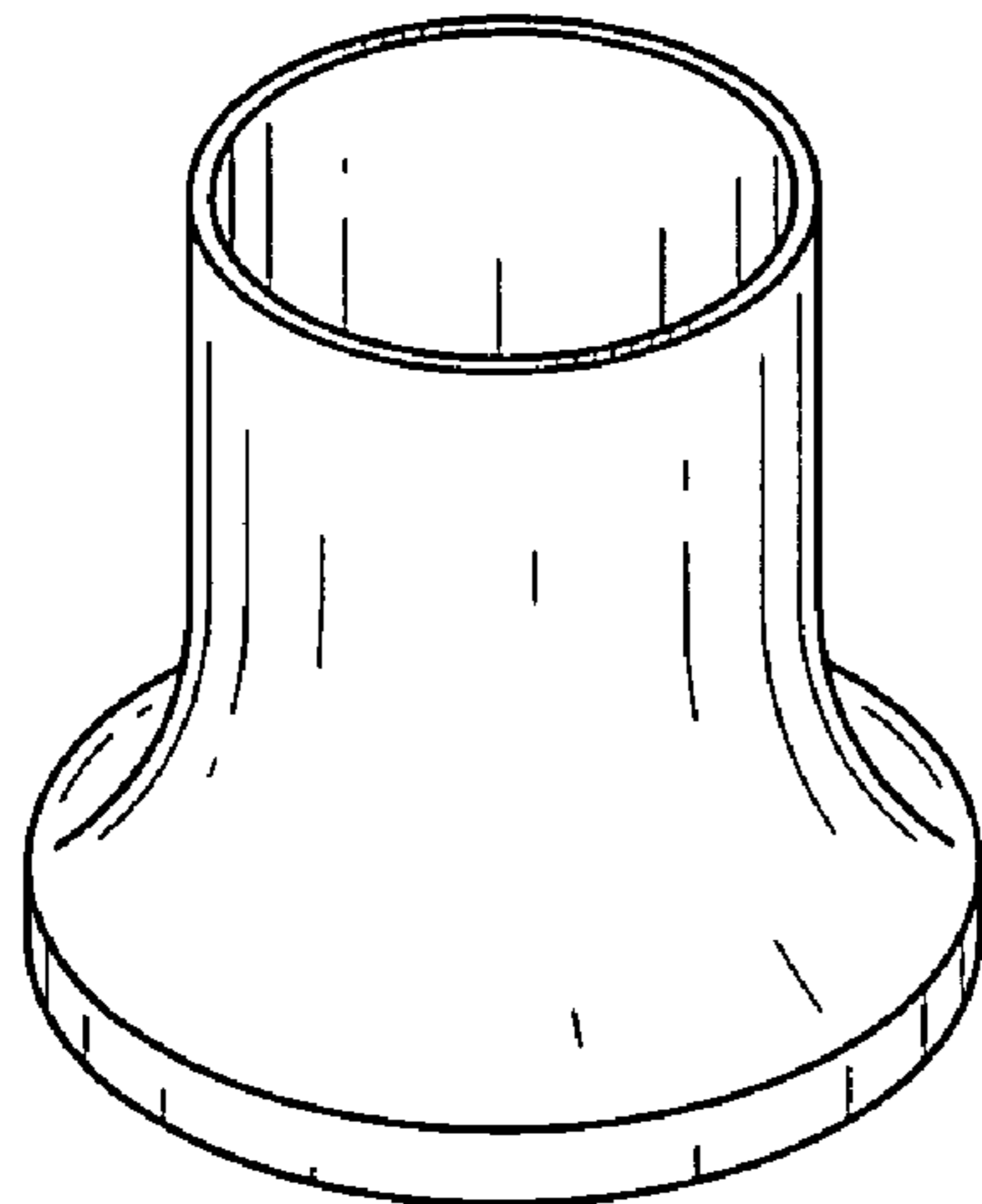
FIG. 5 is a perspective view of another embodiment of the ergonomic end cap, showing my new design;

FIG. 6 is a side view of the ergonomic end cap of FIG. 5, with all side views being identical;

FIG. 7 is a top view of the ergonomic end cap of FIG. 5; and,

FIG. 8 is a bottom view of the ergonomic end cap of FIG. 5.

1 Claim, 4 Drawing Sheets



US D605,935 S

Page 2

U.S. PATENT DOCUMENTS

D427,507 S *	7/2000	Huang	D8/378	D544,263 S *	6/2007	Kakahana	D6/524
D454,744 S *	3/2002	Ou-Young	D6/550	D546,606 S *	7/2007	Berberet	D6/524
D473,412 S *	4/2003	Chou	D6/550	D557,049 S *	12/2007	Sedwick et al.	D6/524
6,553,710 B1	4/2003	Grozik		D560,110 S *	1/2008	Ricereto	D8/310
6,877,520 B2	4/2005	Morris		2005/0189008 A1*	9/2005	Bonin, Jr.	135/68
7,117,955 B2	10/2006	Rivers et al.		2008/0217493 A1*	9/2008	Bevirt	248/163.1

* cited by examiner

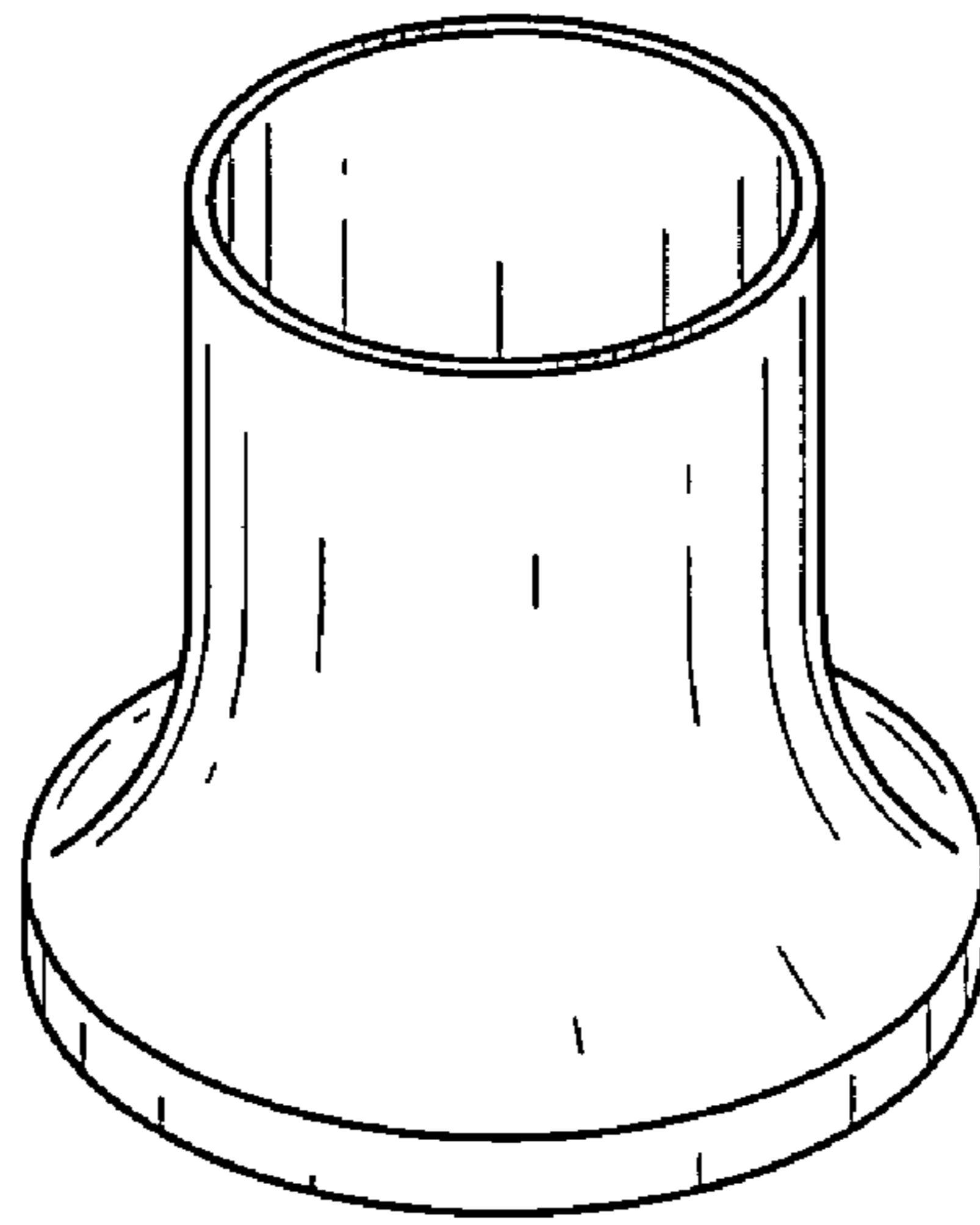


FIG. 1

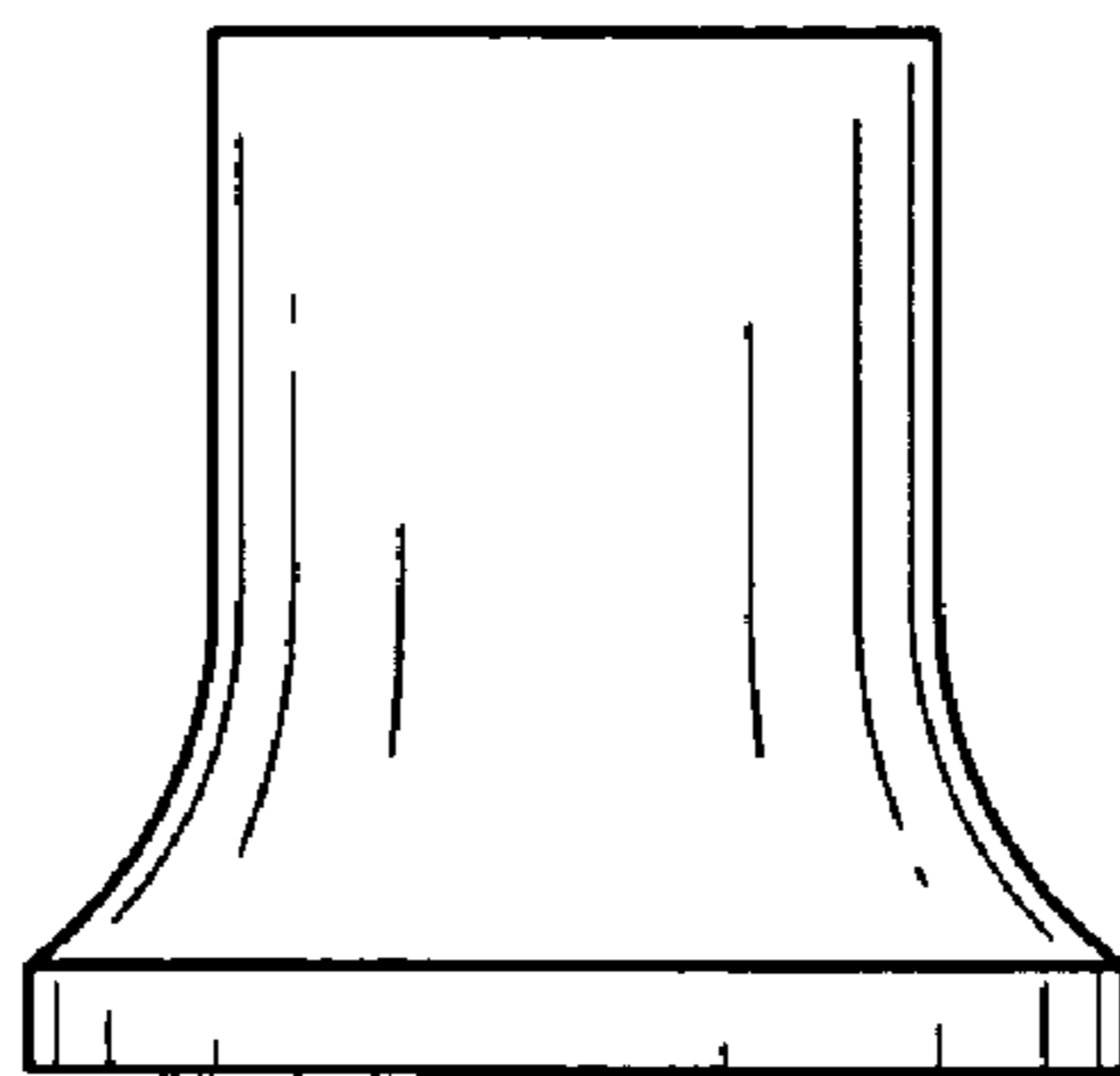


FIG. 2

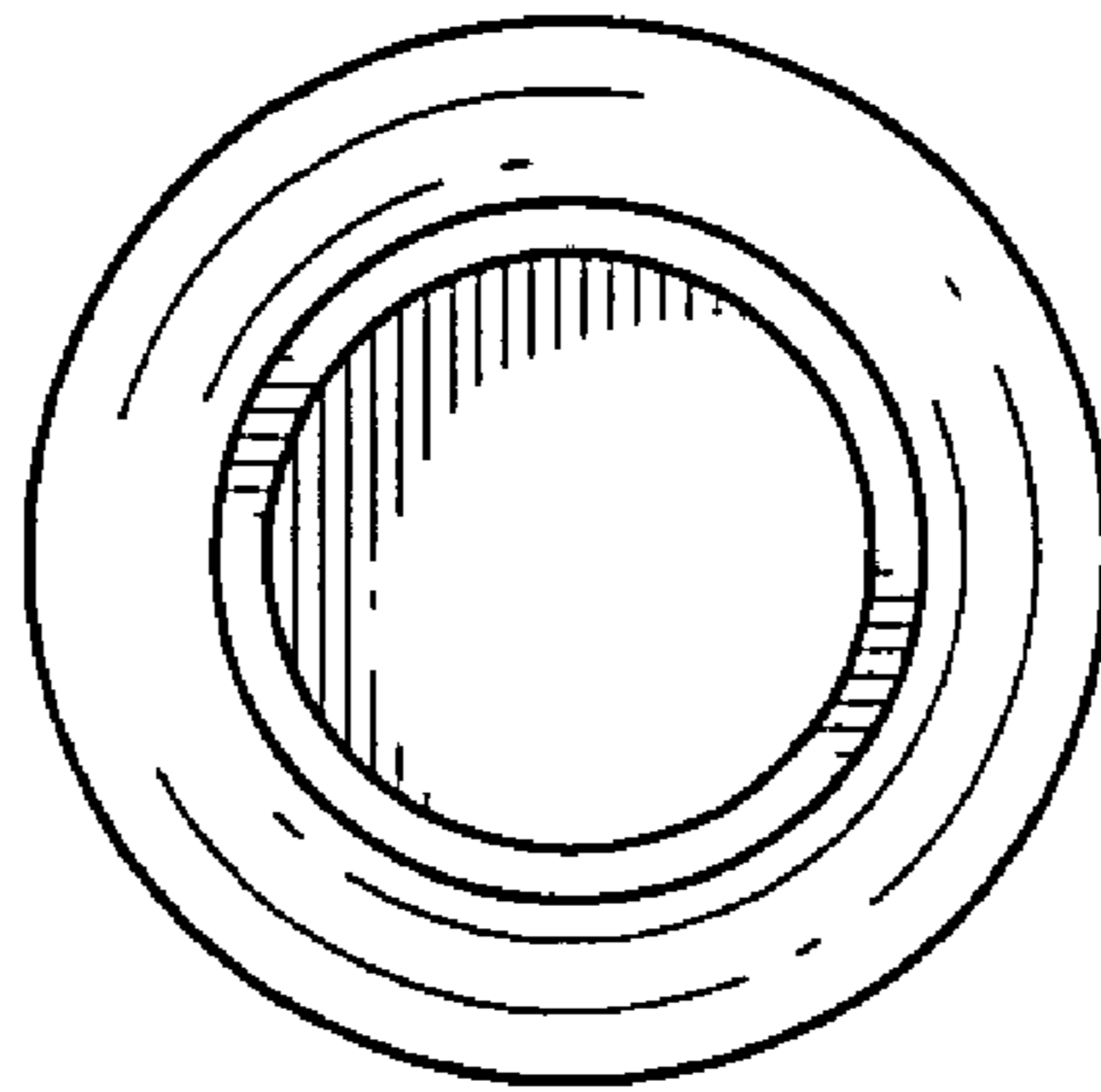


FIG. 3

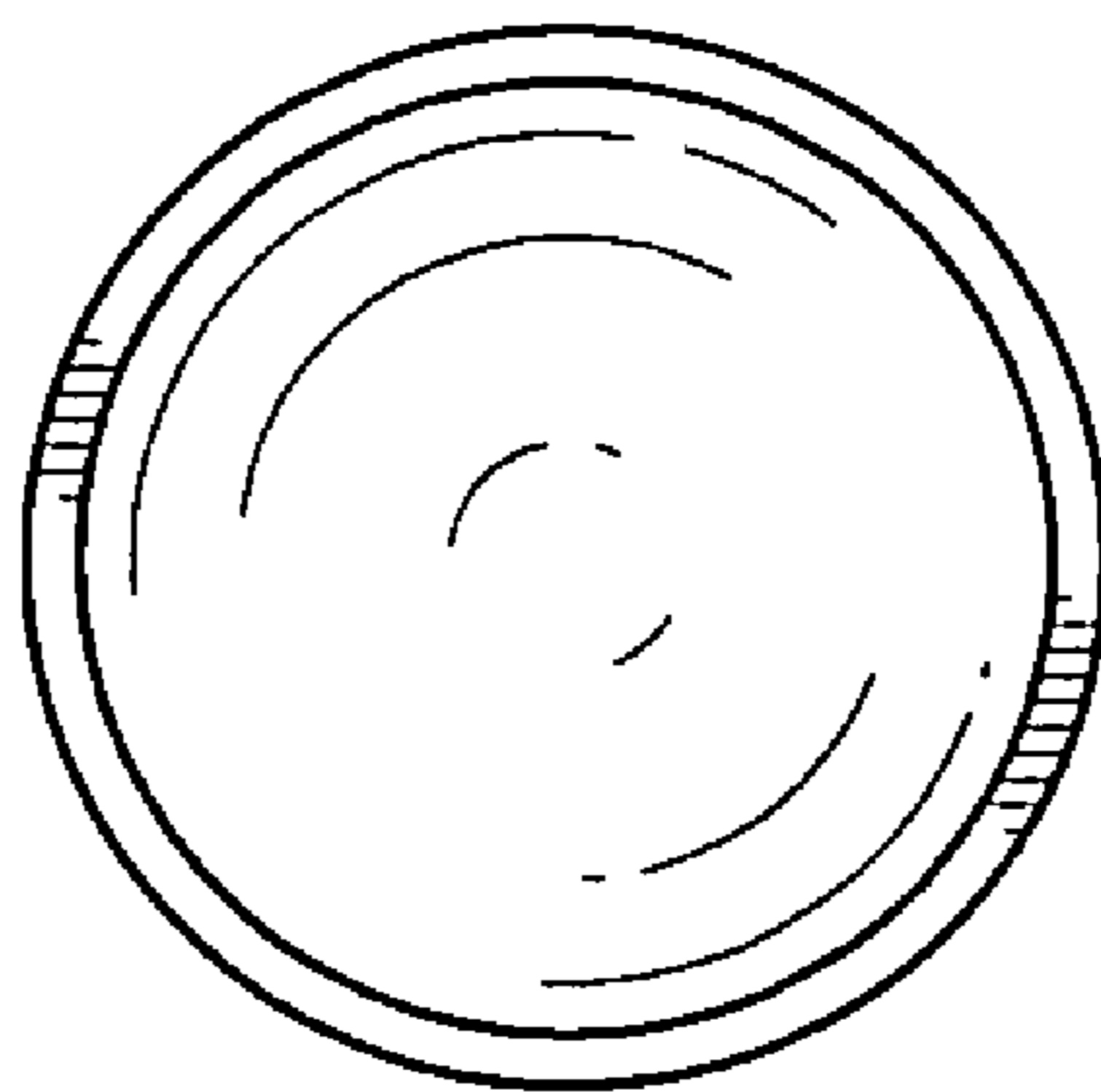


FIG. 4

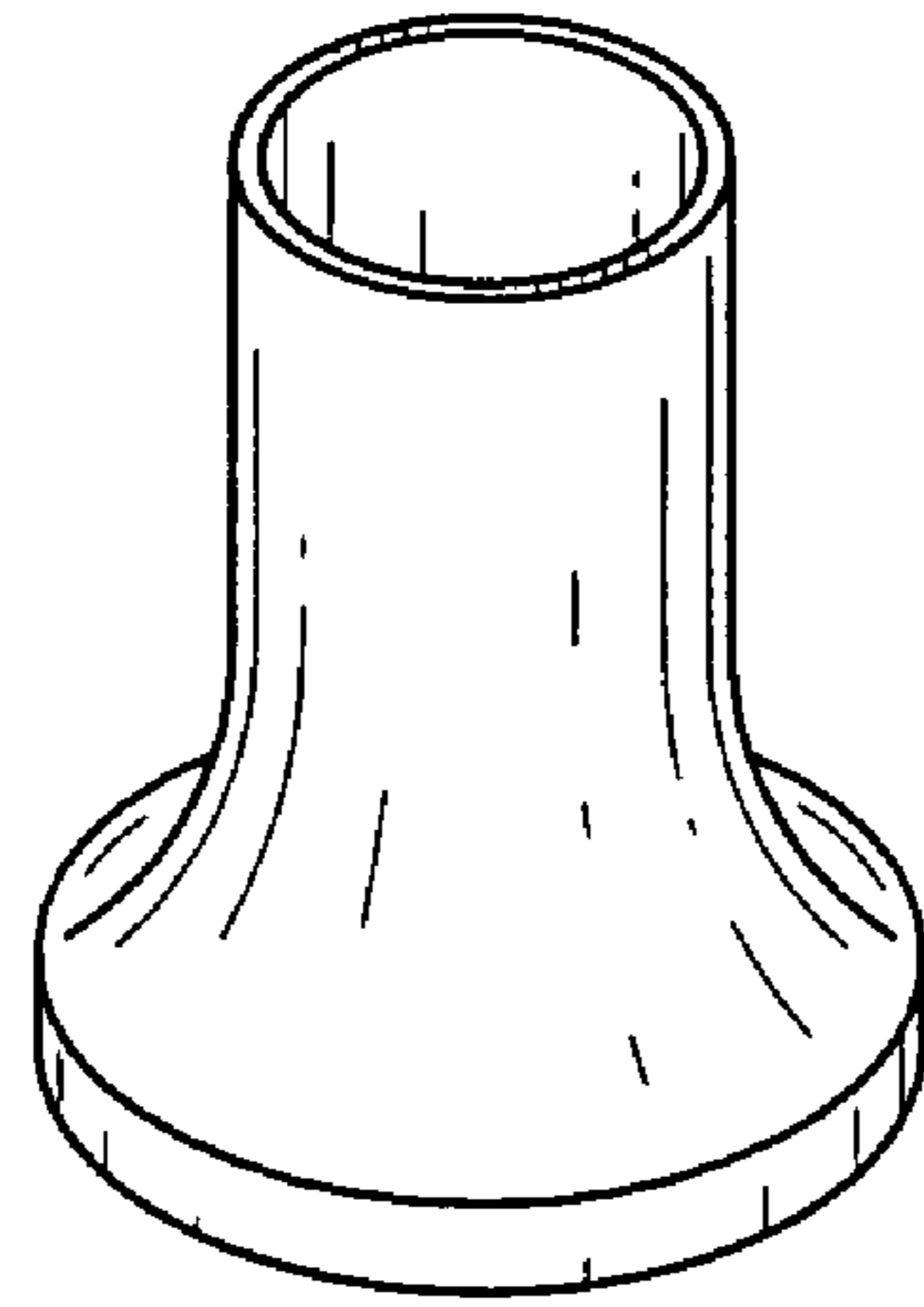


FIG. 5

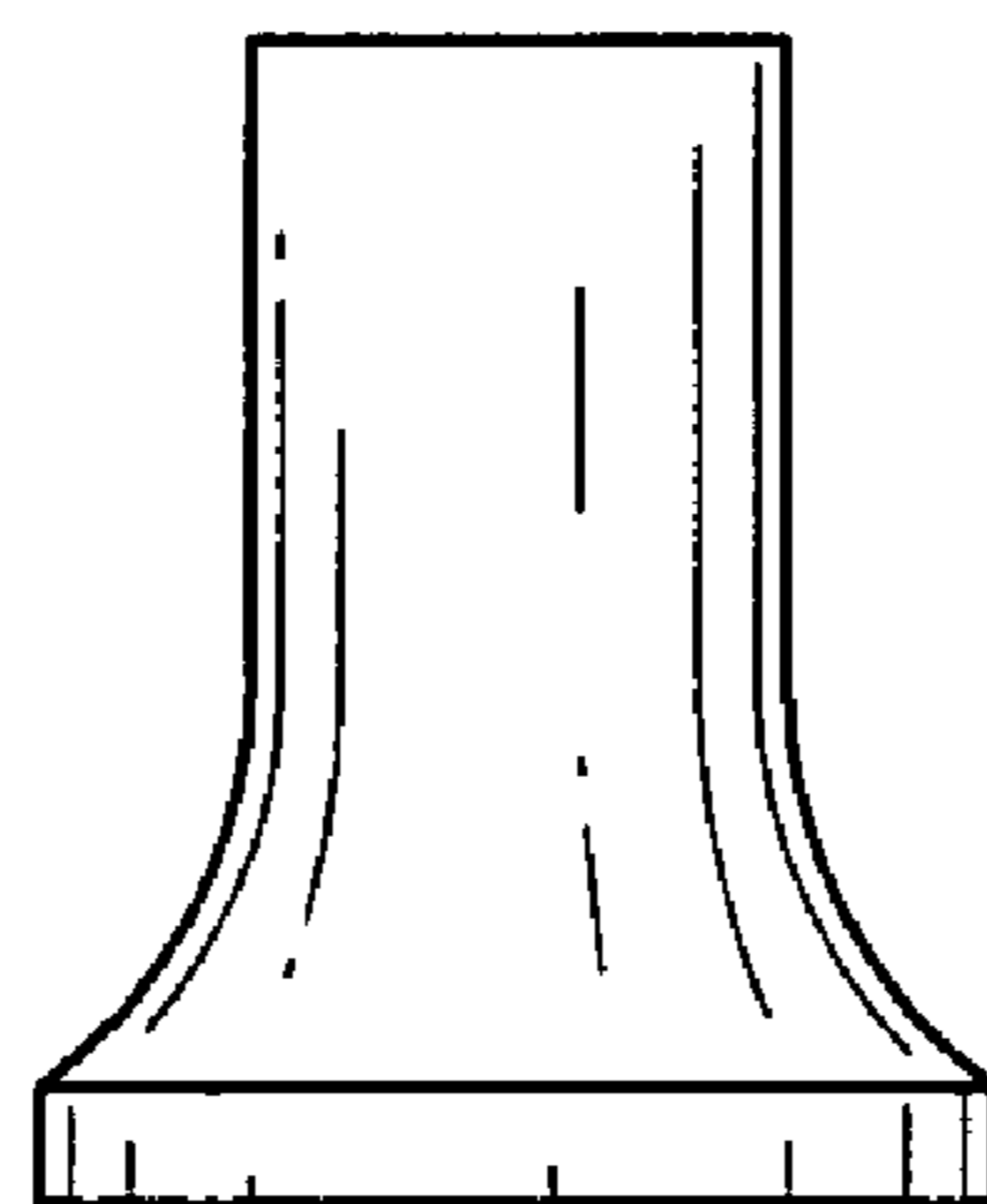


FIG. 6

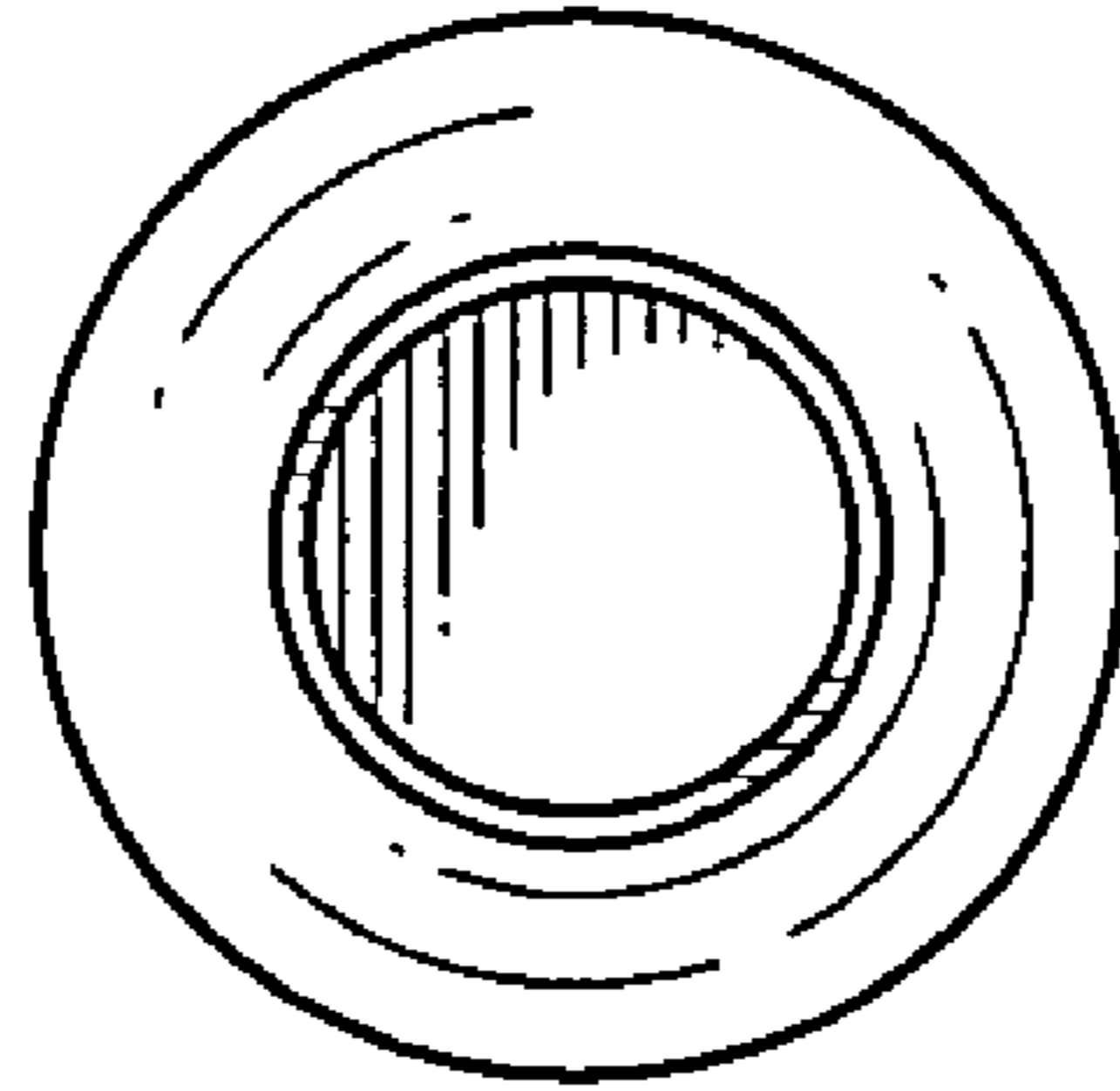


FIG. 7

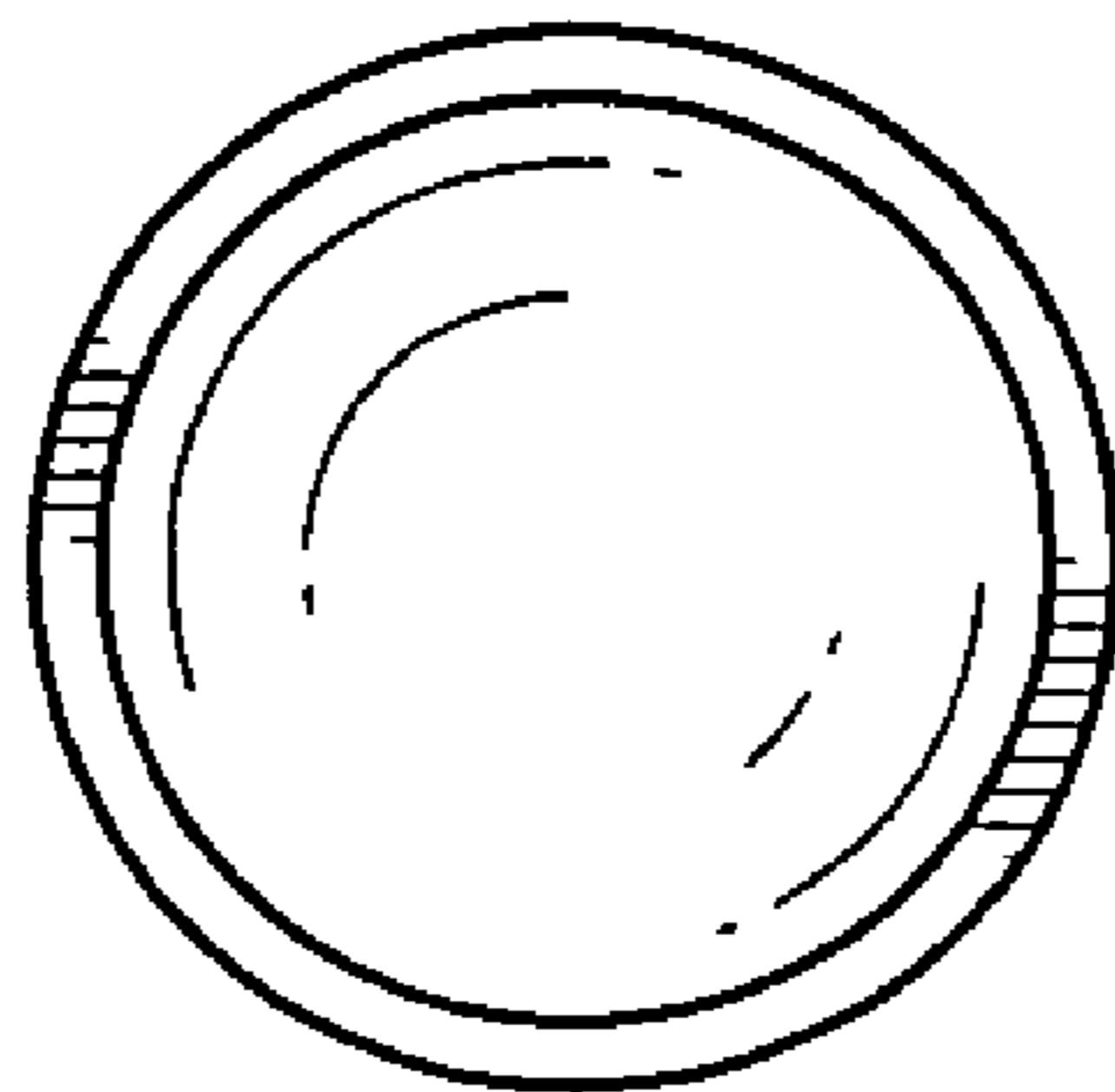


FIG. 8