



US00D605933S

(12) **United States Design Patent**
Gaudron

(10) **Patent No.:** **US D605,933 S**

(45) **Date of Patent:** **** Dec. 15, 2009**

(54) **ANCHOR**

(75) Inventor: **Paul Gaudron**, Stratford, CT (US)

(73) Assignee: **Powers Fasteners, Inc.**, Brewster, NY (US)

(**) Term: **14 Years**

(21) Appl. No.: **29/322,730**

(22) Filed: **Aug. 11, 2008**

(51) **LOC (9) Cl.** **08-08**

(52) **U.S. Cl.** **D8/385**

(58) **Field of Classification Search** D8/384,
D8/387; D15/139; 52/157; 411/30, 31,
411/403, 352, 353, 107, 397

See application file for complete search history.

(56) **References Cited**

U.S. PATENT DOCUMENTS

5,160,225	A *	11/1992	Chern	411/30
5,308,203	A *	5/1994	McSherry et al.	411/31
D378,052	S *	2/1997	Perreault	D8/387
D381,892	S *	8/1997	Porter et al.	D8/387
5,752,792	A *	5/1998	McSherry	411/31
5,833,415	A *	11/1998	McSherry	411/31
6,139,236	A *	10/2000	Ito	411/30
6,382,892	B1 *	5/2002	Hempfling	411/30

D462,895	S *	9/2002	Gaudron	D8/385
7,001,124	B2 *	2/2006	Panasik et al.	411/30
7,261,505	B2 *	8/2007	Ernst et al.	411/35
D550,072	S *	9/2007	Ardern	D8/387
7,320,569	B2 *	1/2008	Kaye et al.	411/30
D590,239	S *	4/2009	Gaudron	D8/367
D593,141	S *	5/2009	Gaudron	D15/139

* cited by examiner

Primary Examiner—Holly H Baynham

Assistant Examiner—Sheryl Lane

(74) *Attorney, Agent, or Firm*—Cantor Colburn LLP

(57) **CLAIM**

I claim, the ornamental design for the anchor, as shown and described.

DESCRIPTION

FIG. 1 is a perspective view of an anchor;

FIG. 2 is a perspective view of an opposite side of the anchor shown in FIG. 1;

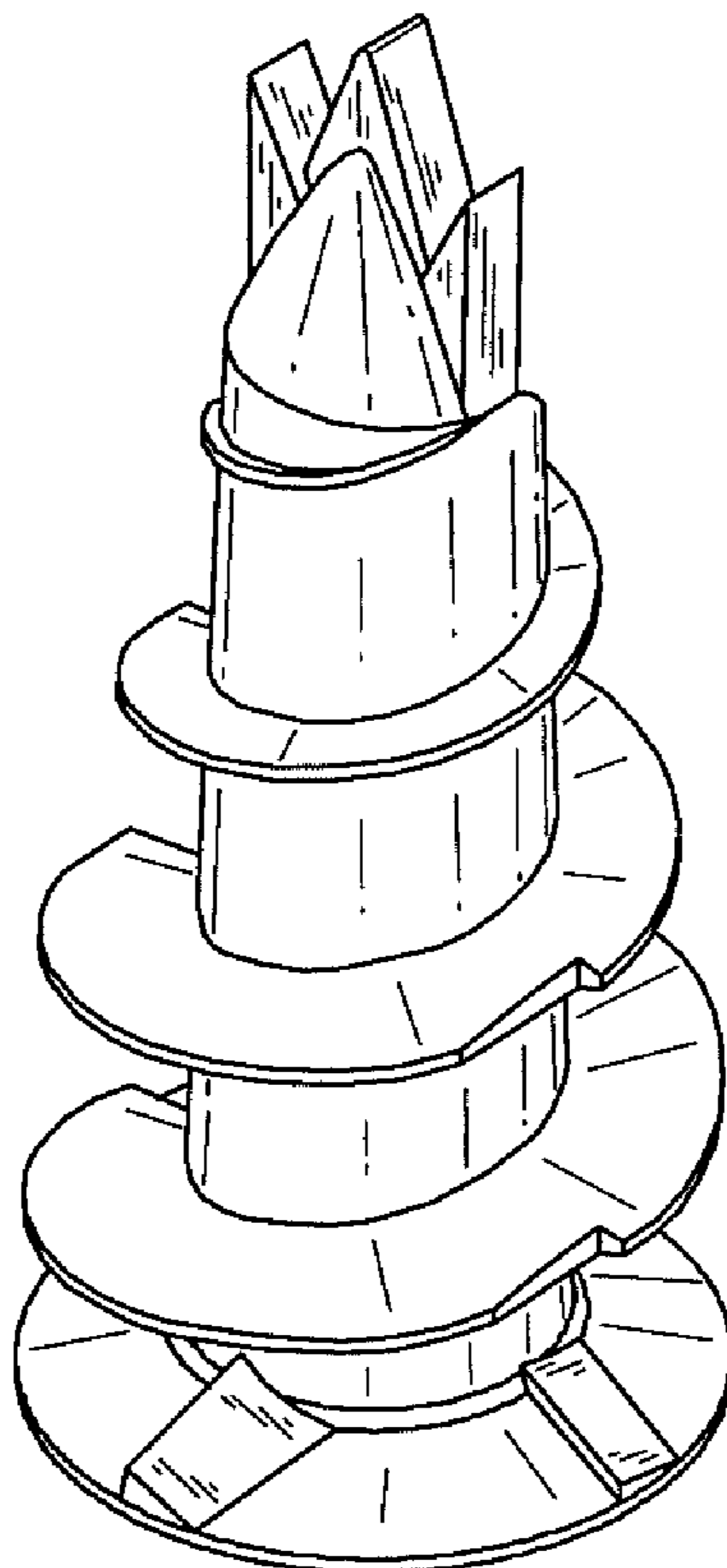
FIG. 3 is a first side view of the anchor;

FIG. 4 is an opposite side view of the anchor;

FIG. 5 is a top view of the anchor; and,

FIG. 6 is a bottom view of the anchor.

1 Claim, 1 Drawing Sheet



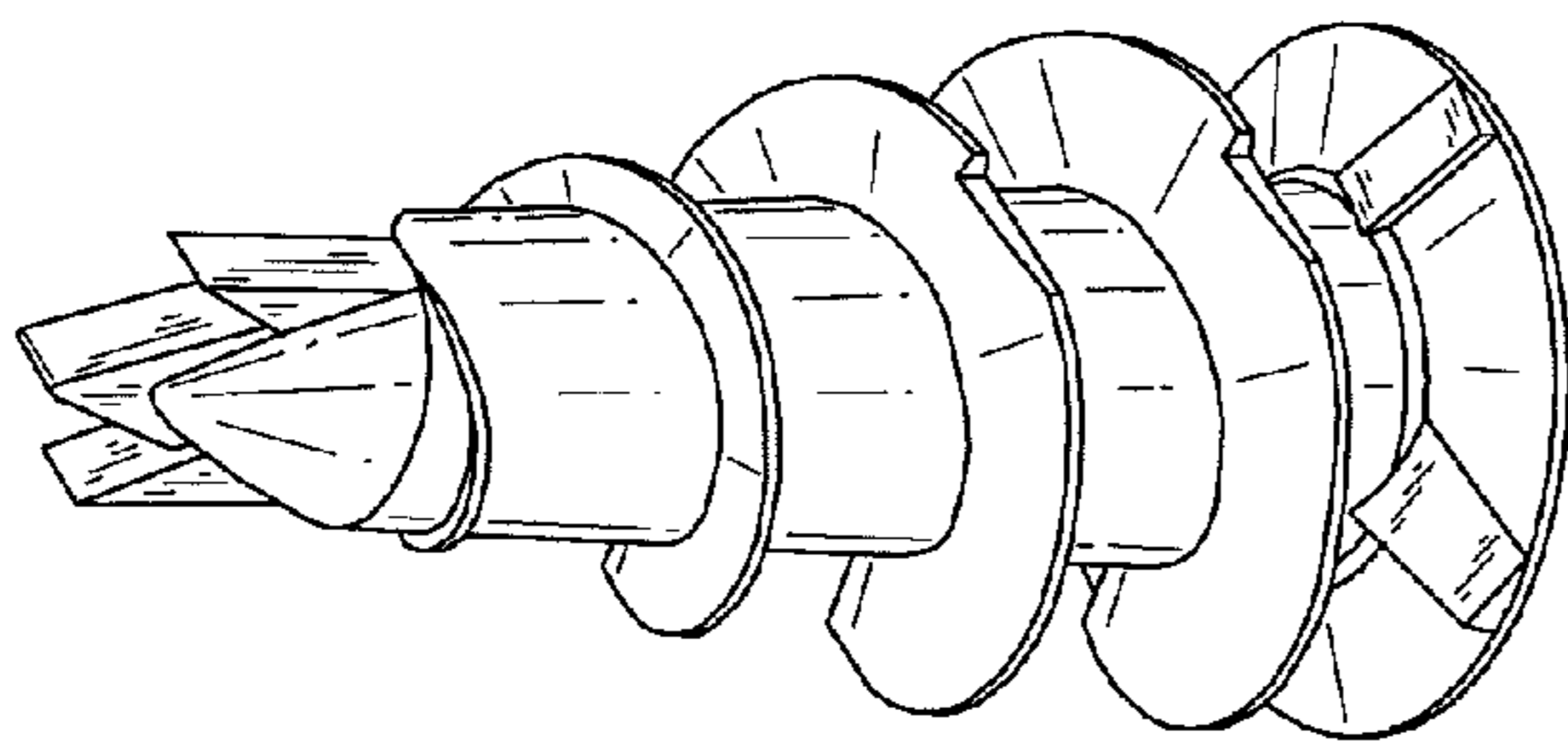


FIG. 1

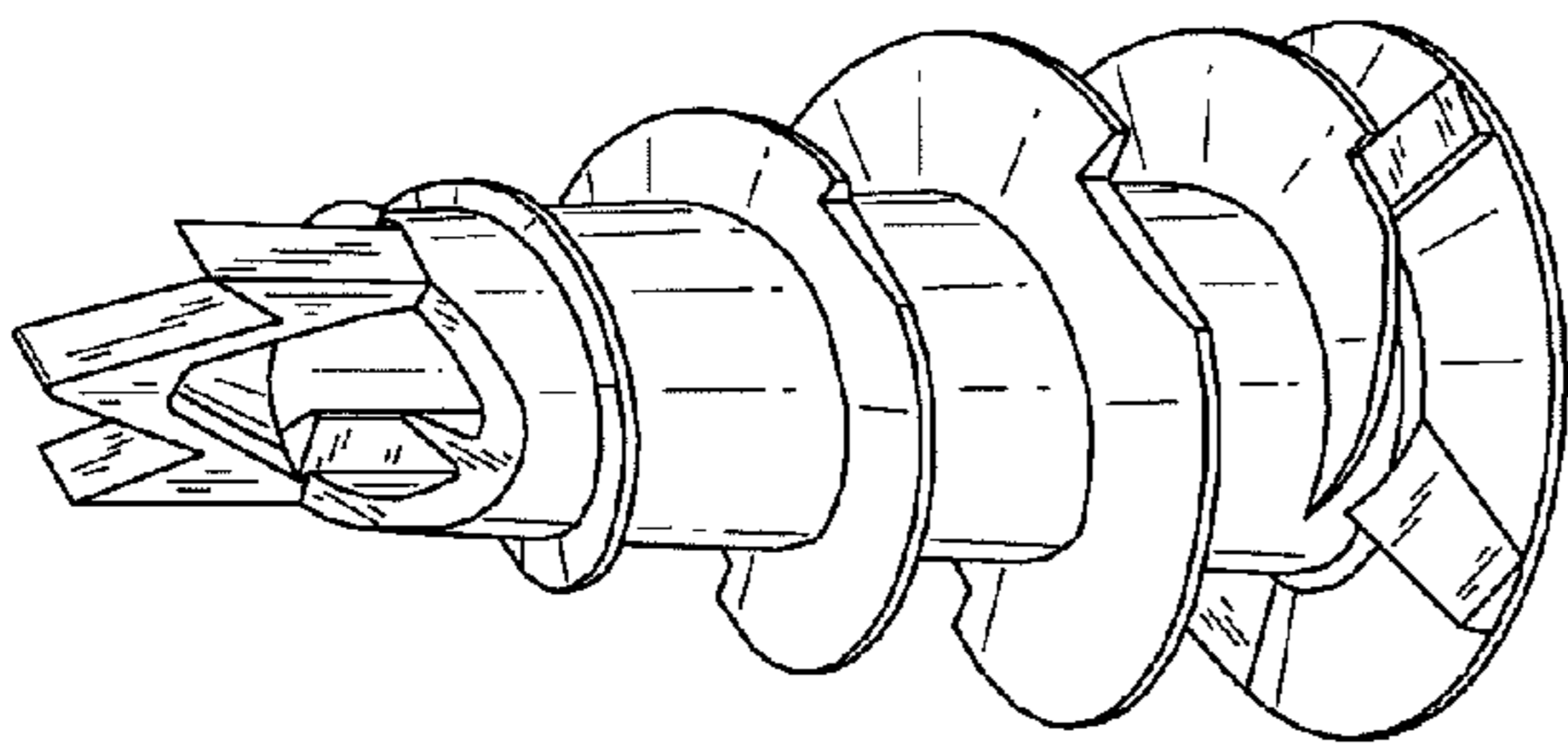


FIG. 2

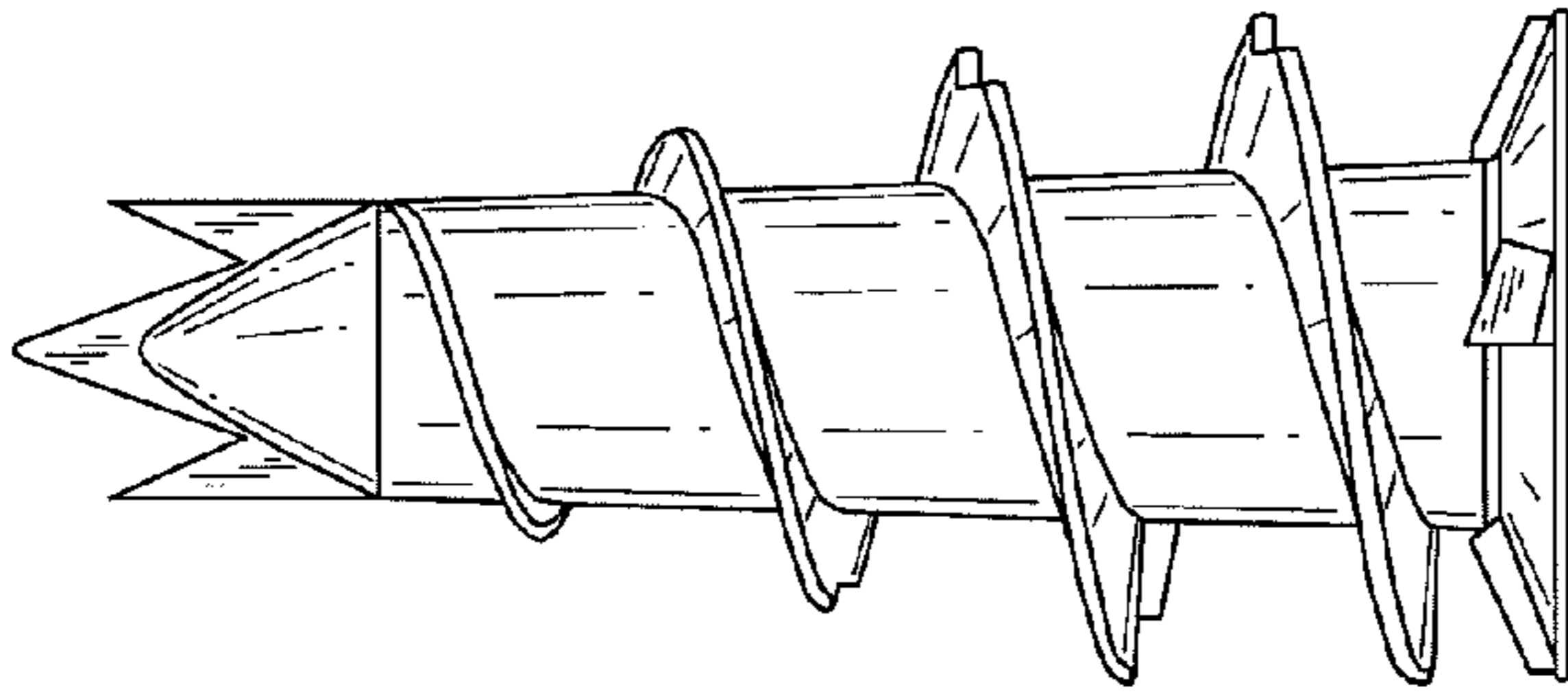


FIG. 3

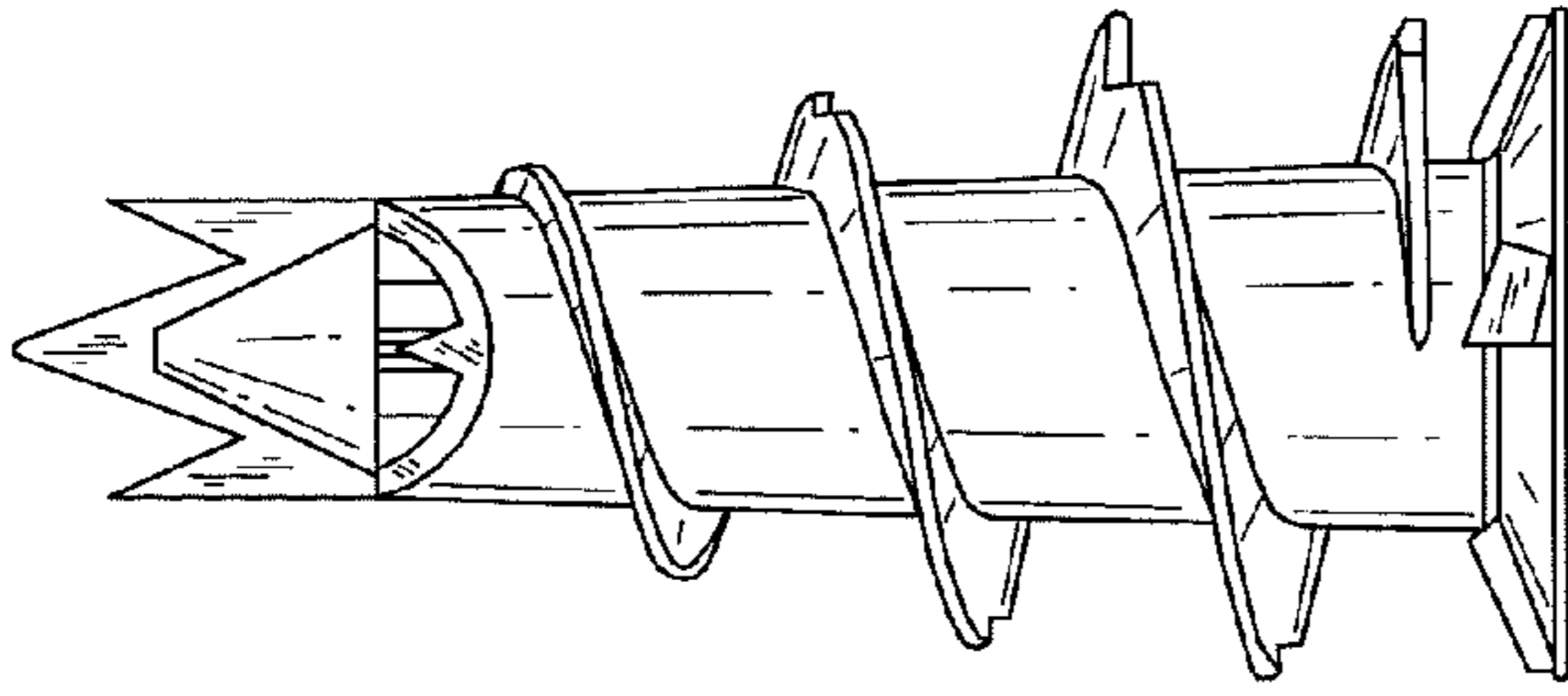


FIG. 4

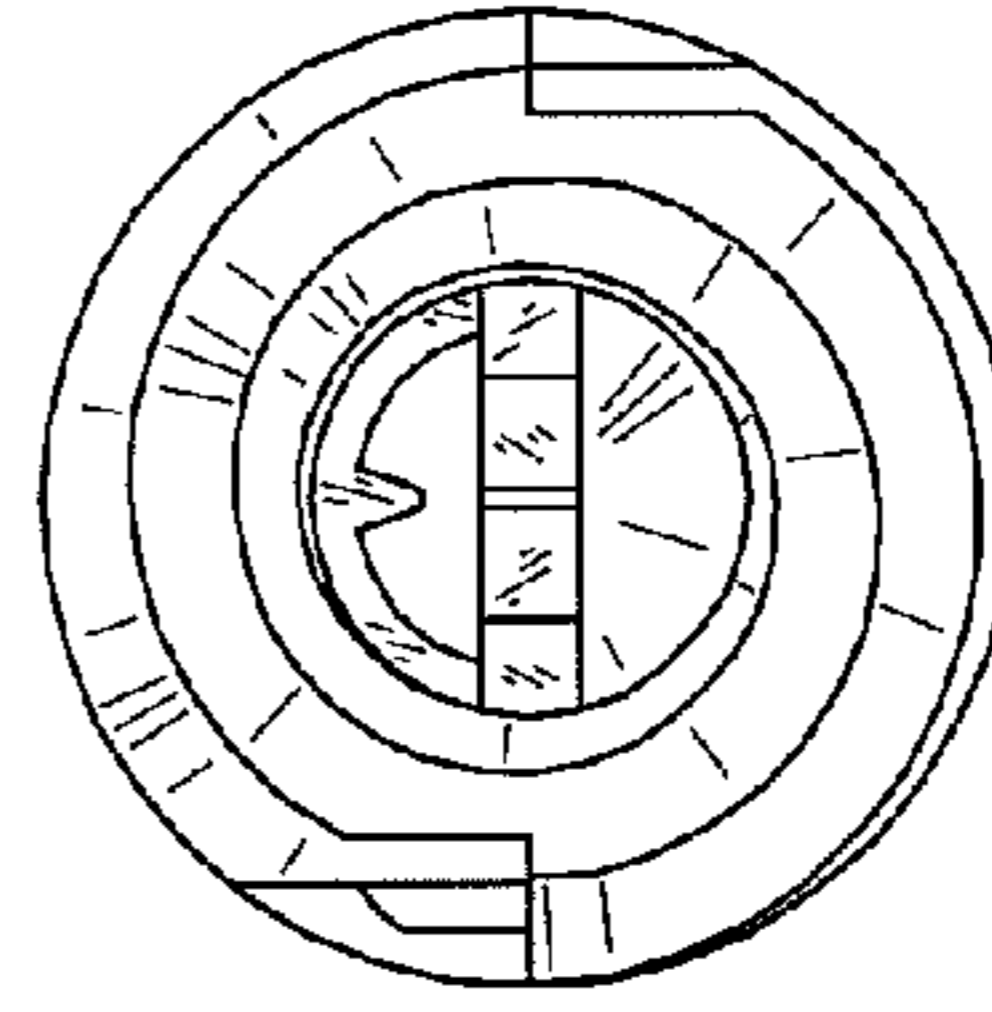


FIG. 5

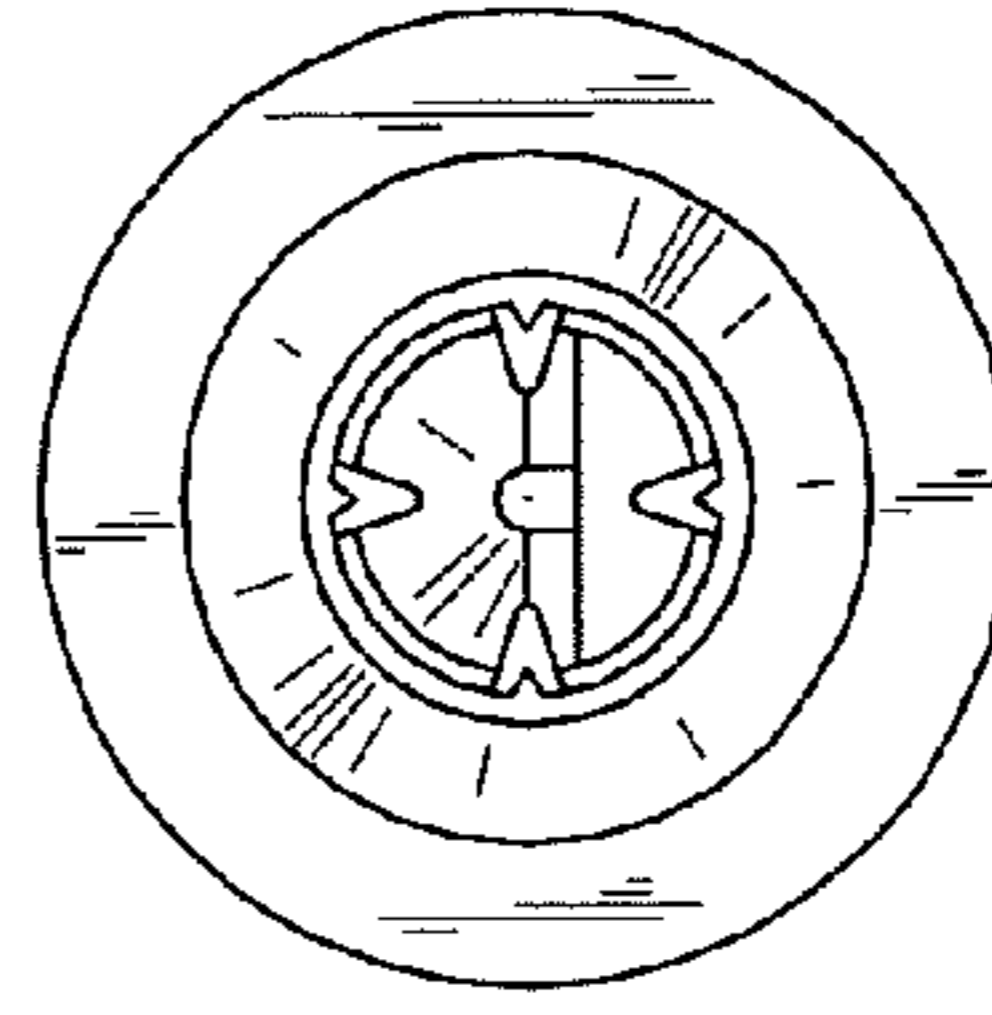


FIG. 6