



US00D605930S

(12) **United States Design Patent**
Piersant

(10) **Patent No.:** **US D605,930 S**

(45) **Date of Patent:** **** Dec. 15, 2009**

(54) **SMALL SHELF BRACKET**

(75) Inventor: **Tim Piersant**, Dalton, GA (US)

(73) Assignee: **DisplayCraft, Inc.**, Dalton, GA (US)

(**) Term: **14 Years**

(21) Appl. No.: **29/337,896**

(22) Filed: **Jun. 1, 2009**

(51) **LOC (9) Cl.** **08-05**

(52) **U.S. Cl.** **D8/381**

(58) **Field of Classification Search** D8/403,
D8/381, 380, 373, 363, 354, 349, 356; D6/574,
D6/573, 572; 52/712-715, 665, 506.06,
52/514; 292/346, 340; 248/265, 247, 243,
248/235, 200; 108/85; D25/119

See application file for complete search history.

(56) **References Cited**

U.S. PATENT DOCUMENTS

2,255,860 A * 9/1941 Riedel 292/340
D248,274 S * 6/1978 Kingston et al. D8/354
4,635,399 A * 1/1987 Gehrke et al. 52/514
4,877,648 A * 10/1989 Sotelo 52/514

D339,641 S * 9/1993 Leufstedt et al. D25/119
D353,319 S * 12/1994 Eckert D8/346
D415,412 S * 10/1999 Chavers D8/403
D592,945 S * 5/2009 Mahan D8/381

* cited by examiner

Primary Examiner—Susan Bennett Hattan

(74) *Attorney, Agent, or Firm*—Stephen J. Stark; Miller & Martin PLLC

(57) **CLAIM**

The ornamental design for a small shelf bracket, as shown and described.

DESCRIPTION

FIG. 1 is a top perspective view of a small shelf bracket incorporating my new design;

FIG. 2 is a front elevational view thereof;

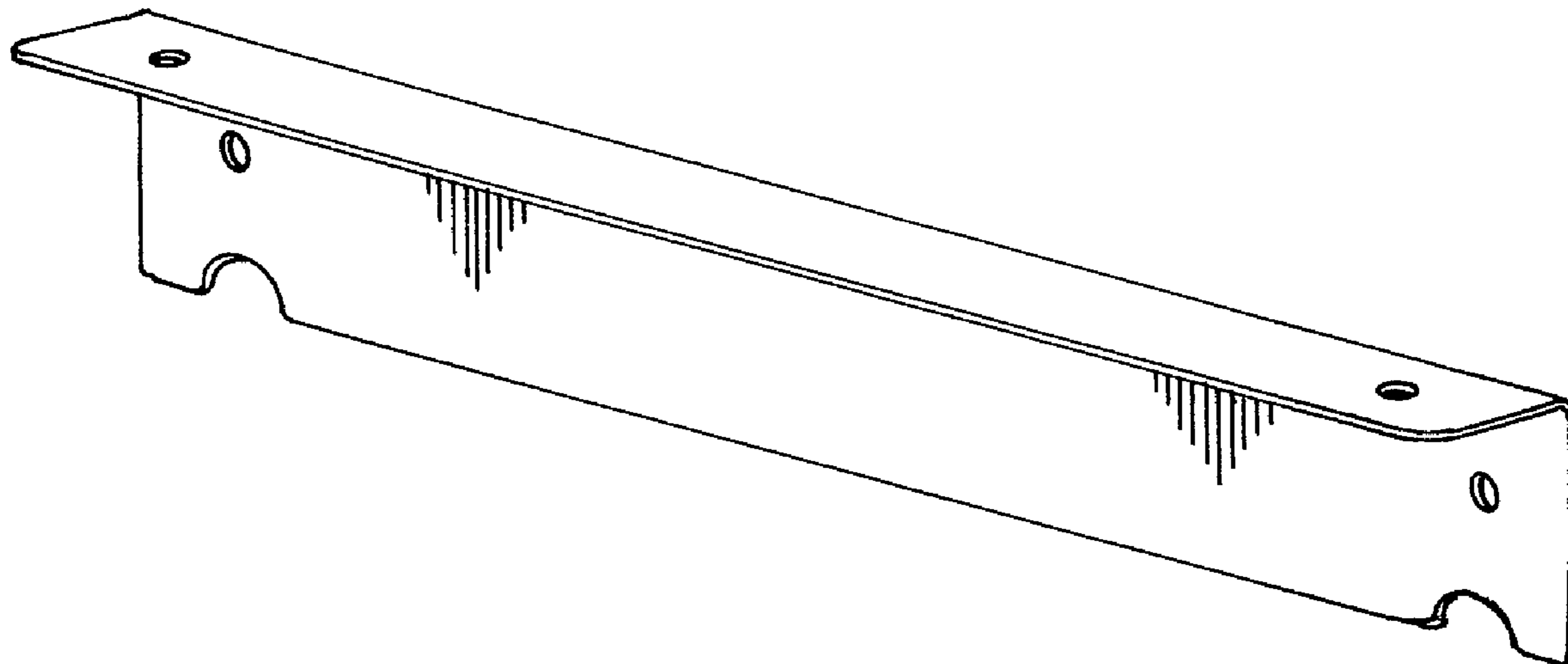
FIG. 3 is a top elevational view thereof;

FIG. 4 is a bottom elevation view thereof;

FIG. 5 is a back elevational view thereof; and,

FIG. 6 is a right side elevational view thereof, the left side being a mirror image thereof.

1 Claim, 1 Drawing Sheet



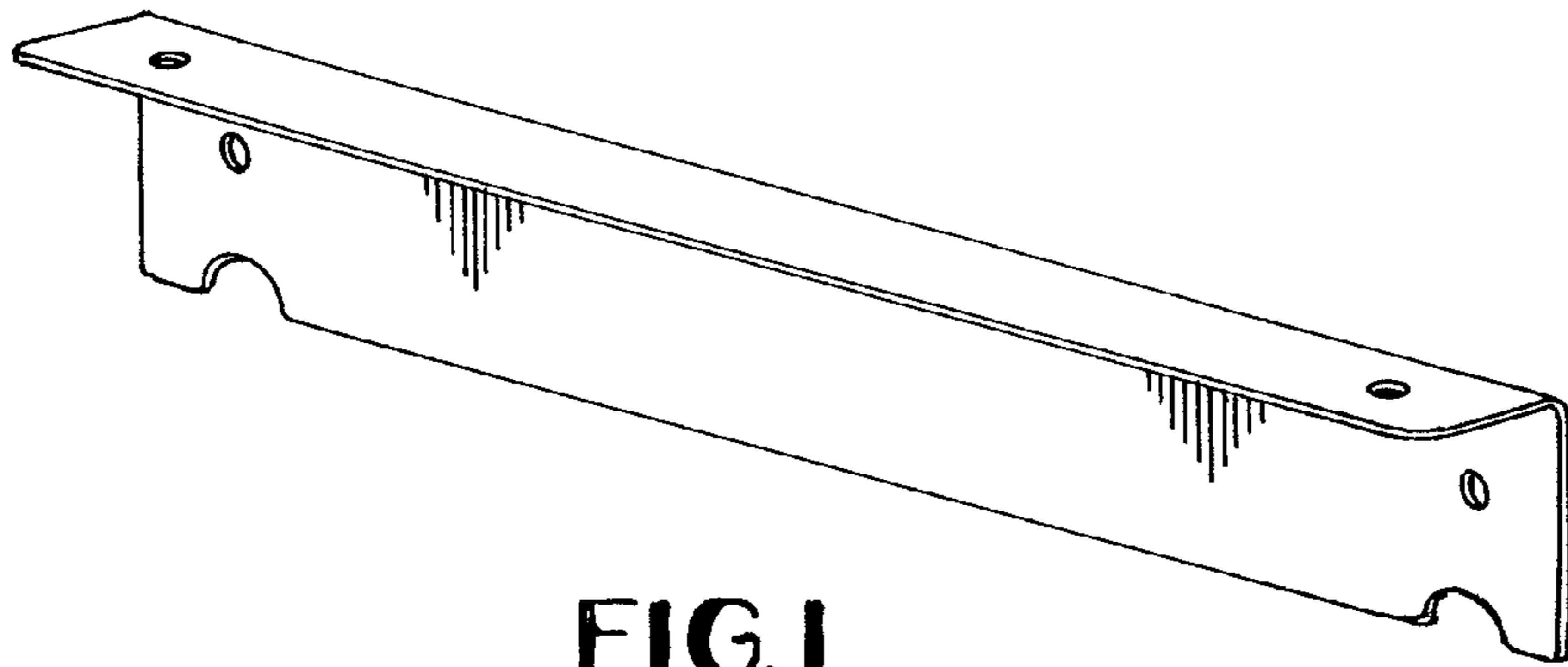


FIG. 1

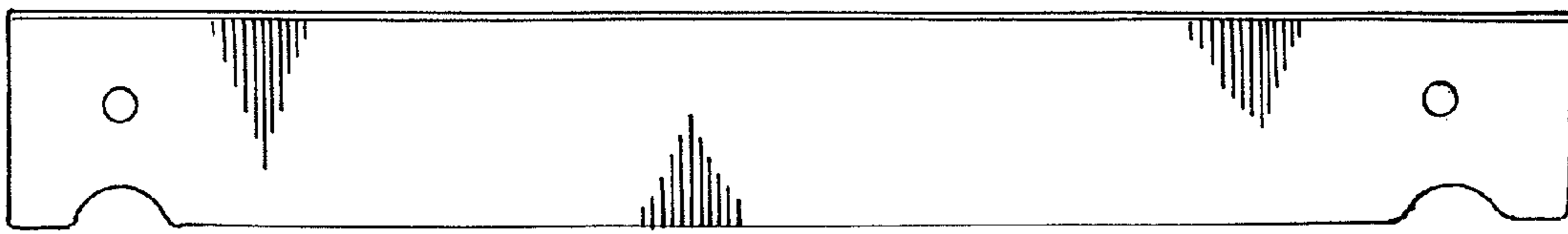


FIG. 2

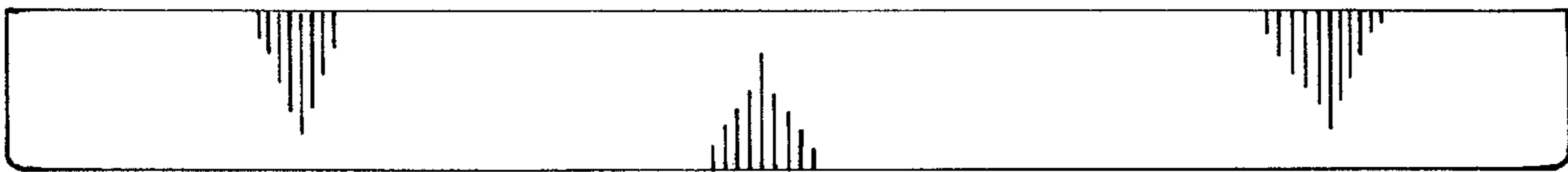


FIG. 3

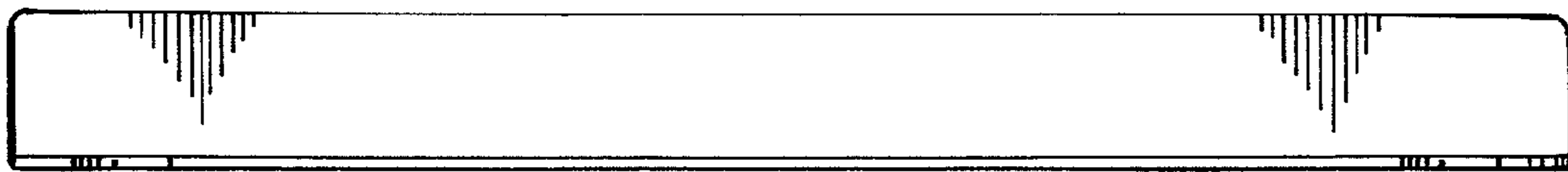


FIG. 4

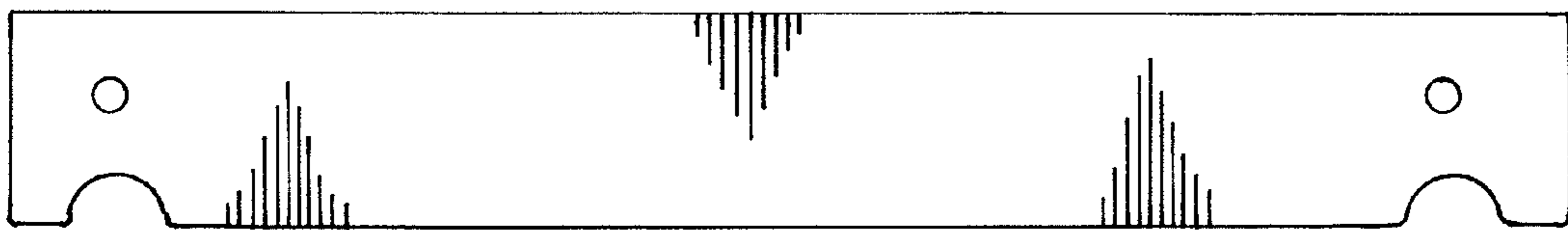


FIG. 5



FIG. 6