

US00D605928S

(12) **United States Design Patent**
Stevens et al.

(10) **Patent No.:** **US D605,928 S**
(45) **Date of Patent:** **** Dec. 15, 2009**

(54) **LOCK**
(75) Inventors: **Scott B. Stevens**, Mukwonago, WI (US);
Agnes de Looz Corswarem et de
Corswarem Looz, Paris (FR)

D537,320 S 2/2007 Kearns et al.
D537,703 S 3/2007 Kearns et al.
D587,985 S * 3/2009 Zorc et al. D8/343
D587,986 S * 3/2009 Zorc et al. D8/343

* cited by examiner

(73) Assignee: **Master Lock Company LLC**, Oak
Creek, WI (US)

Primary Examiner—Prabhakar Deshmukh
(74) *Attorney, Agent, or Firm*—Calfee, Halter & Griswold
LLP

(**) Term: **14 Years**

(21) Appl. No.: **29/337,294**

(57) **CLAIM**

(22) Filed: **May 19, 2009**

We claim the ornamental design for a lock, as shown and
described.

(51) **LOC (9) Cl.** **08-07**

(52) **U.S. Cl.** **D8/334; D8/331**

(58) **Field of Classification Search** D8/330,
D8/331, 334, 338, 336, 345, 339; 70/14,
70/18, 20, 24, 25, 31, 35, 38 R, 38 A, 38 B,
70/38 C, 51–56, 91, 141, DIG. 3, DIG. 4,
70/DIG. 43, DIG. 56

See application file for complete search history.

DESCRIPTION

FIG. 1 is a front perspective view of a lock showing the new
design;

FIG. 2 is a top view of the lock of FIG. 1;

FIG. 3 is a front view of the lock of FIG. 1;

FIG. 4 is a rear view of the lock of FIG. 1;

FIG. 5 is a bottom view of the lock of FIG. 1;

FIG. 6 is a right side view of the lock of FIG. 1; and,

FIG. 7 is a left side view of the lock of FIG. 1.

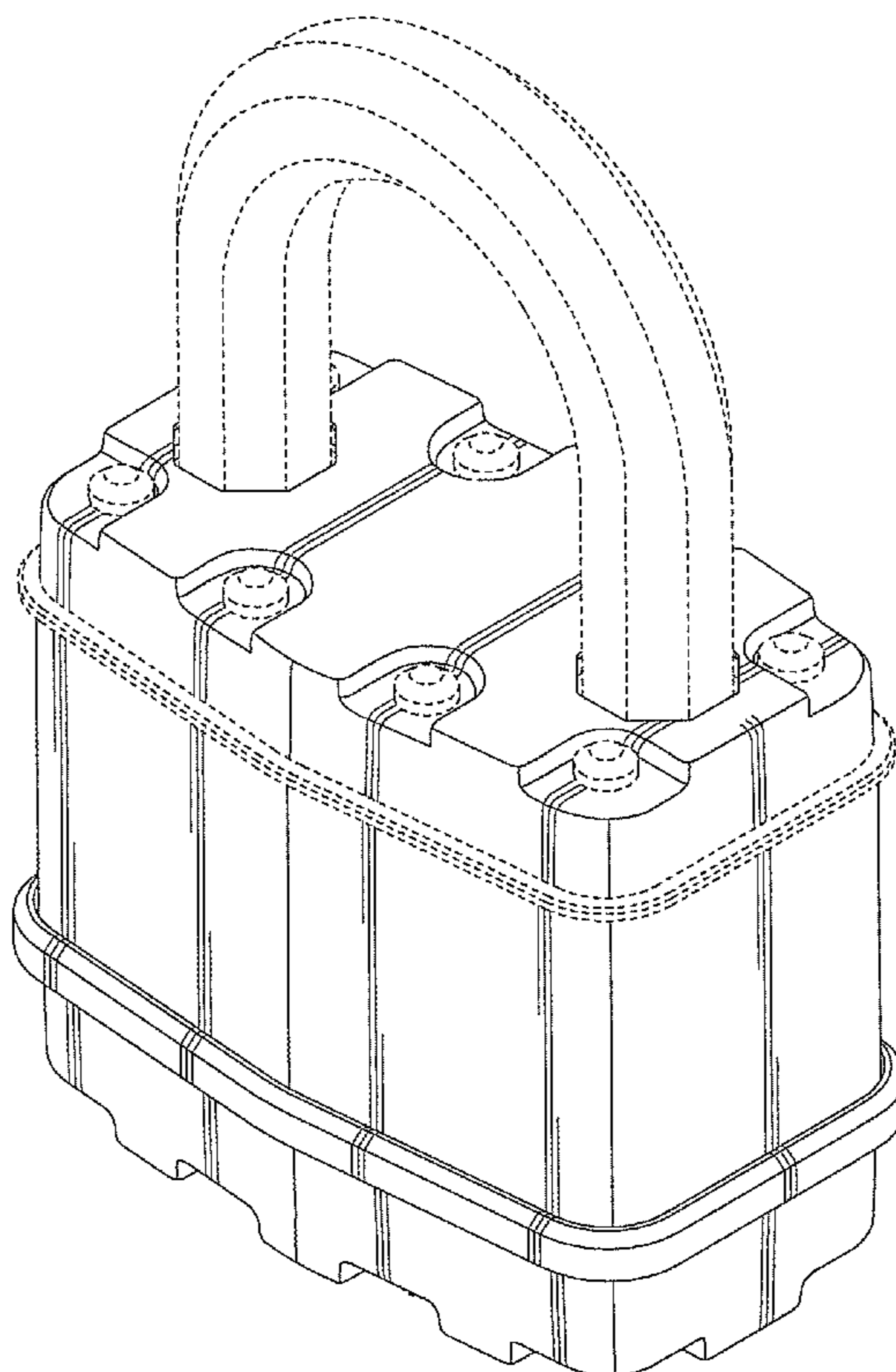
The portions of the Figures shown in broken lines are for
illustrative purpose only and form no part of the claimed
design.

(56) **References Cited**

U.S. PATENT DOCUMENTS

4,224,813 A * 9/1980 Hampton 70/51
4,226,100 A * 10/1980 Hampton et al. 70/51
D423,908 S * 5/2000 Liu D8/334
D449,509 S * 10/2001 Liu D8/334
6,766,673 B2 * 7/2004 Gast et al. 70/38 A
6,769,277 B1 * 8/2004 Chang 70/52

1 Claim, 4 Drawing Sheets



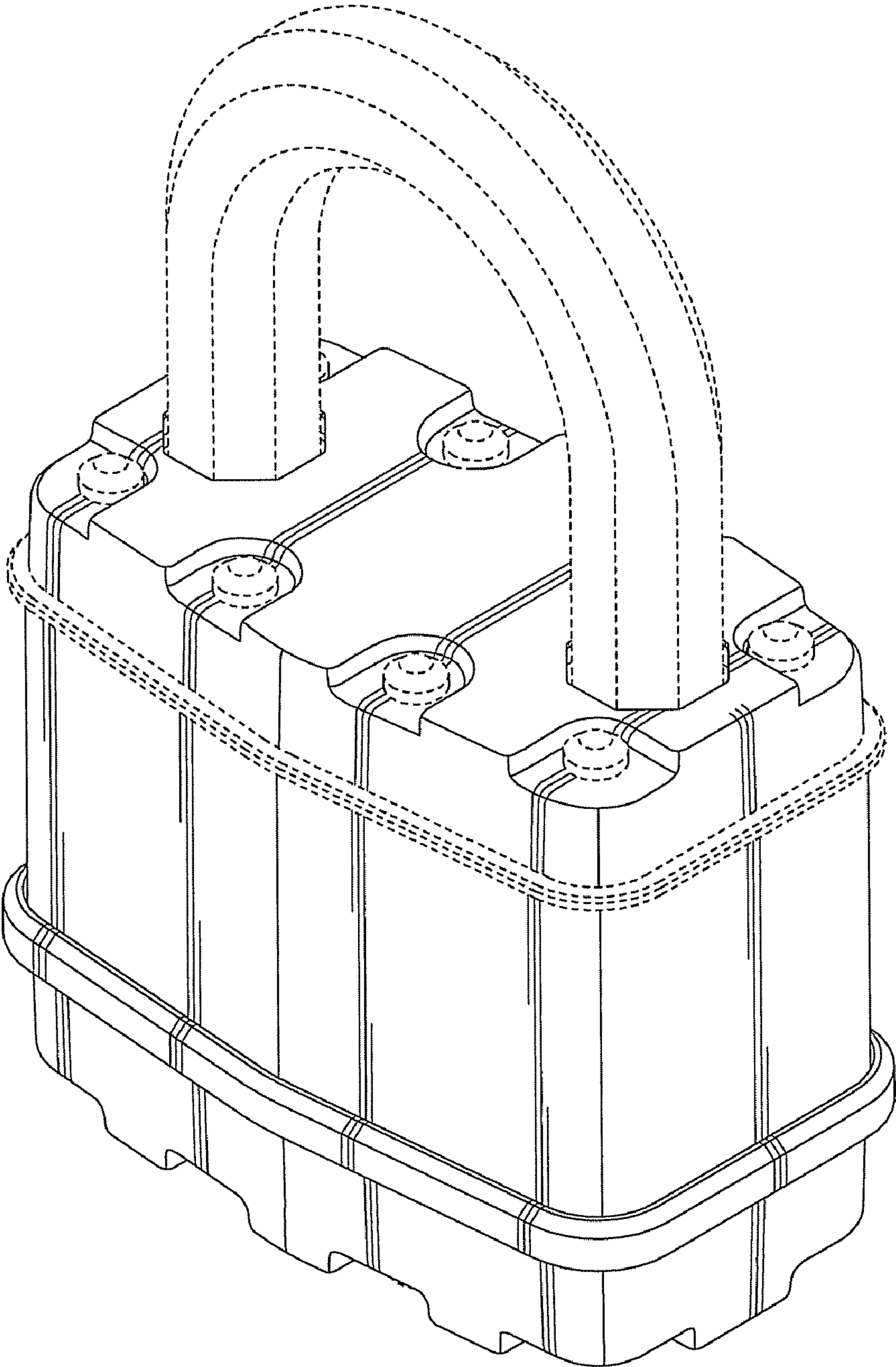


FIG. 1

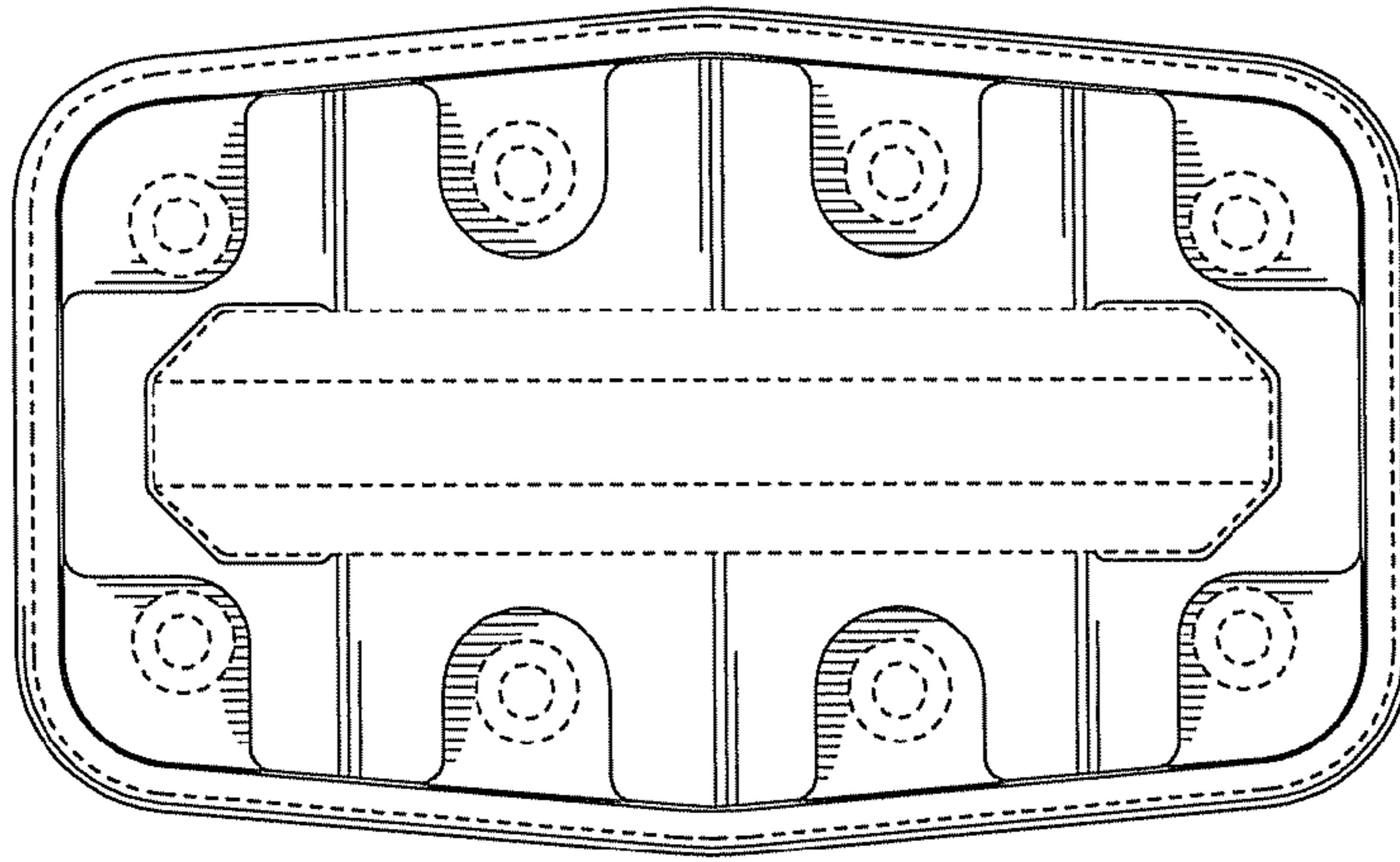


FIG. 2

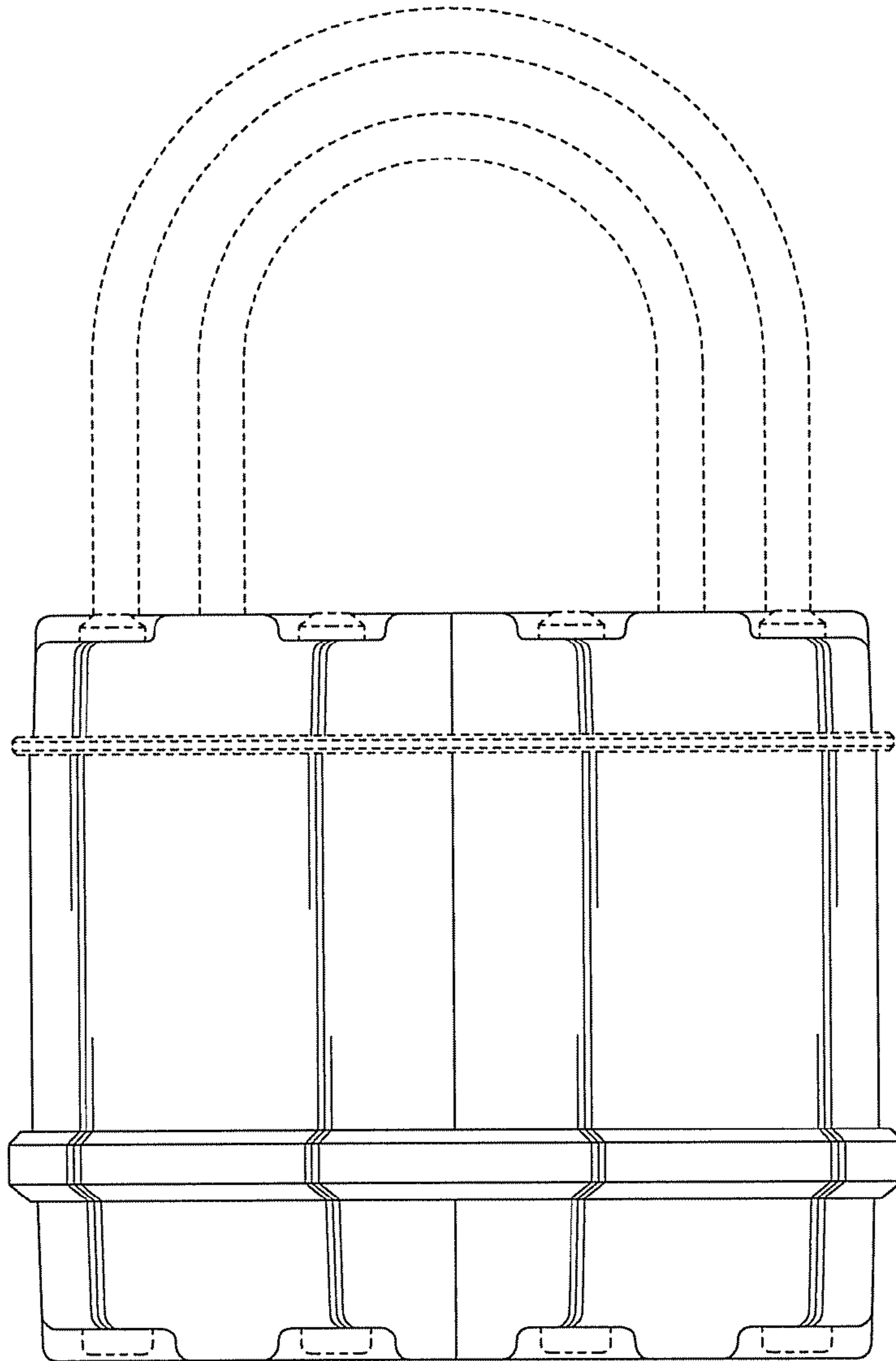


FIG. 3

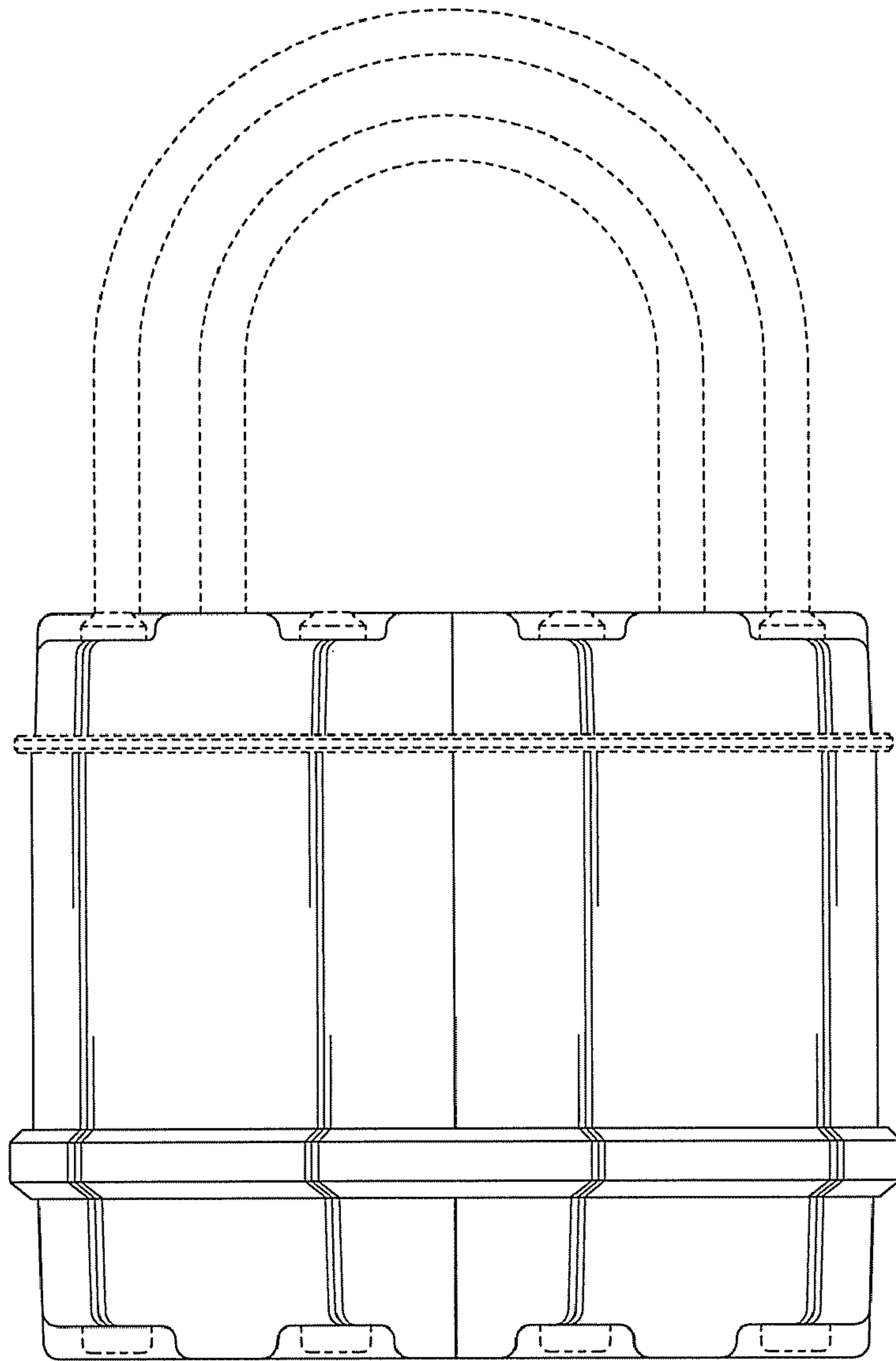


FIG. 4

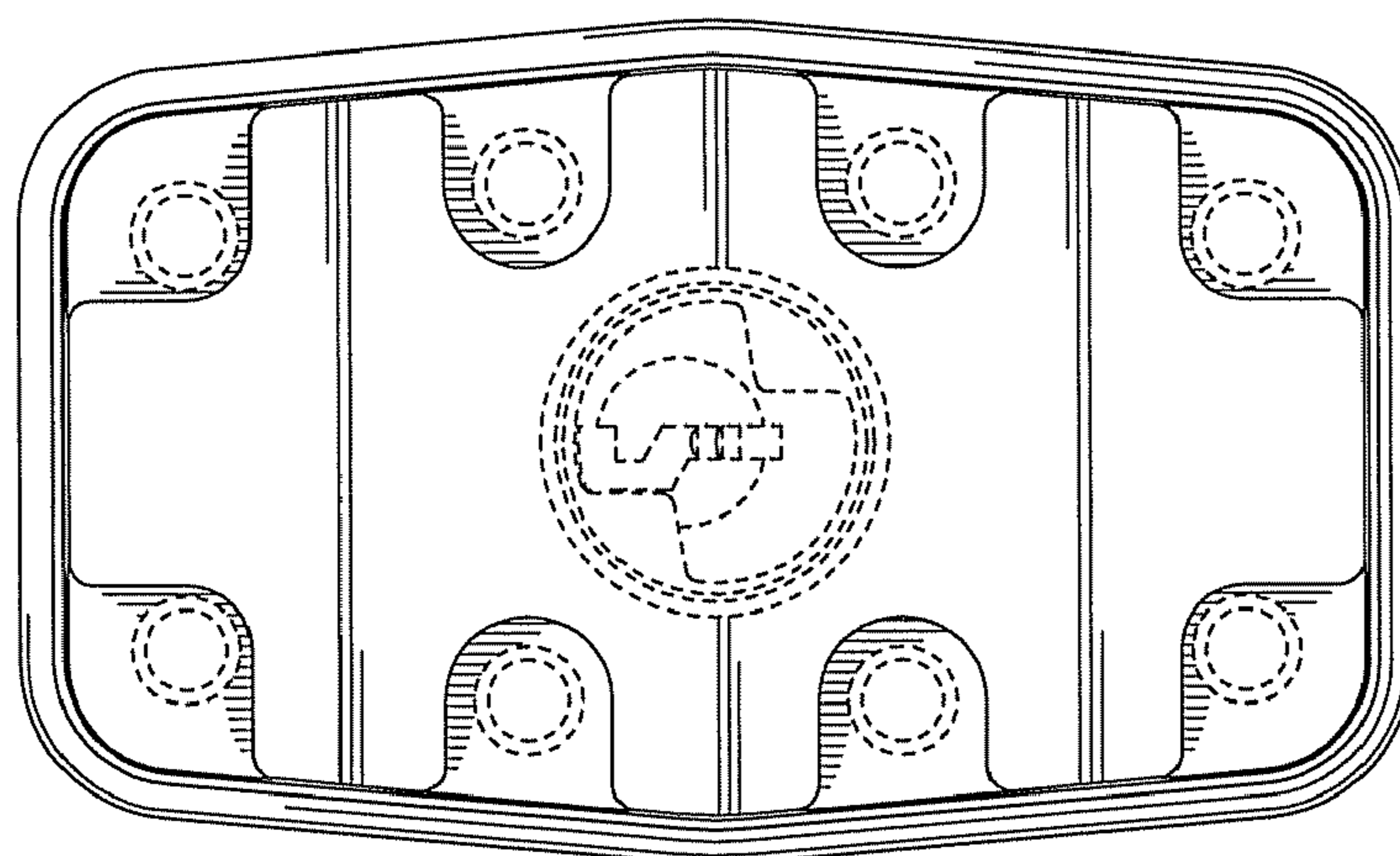


FIG. 5

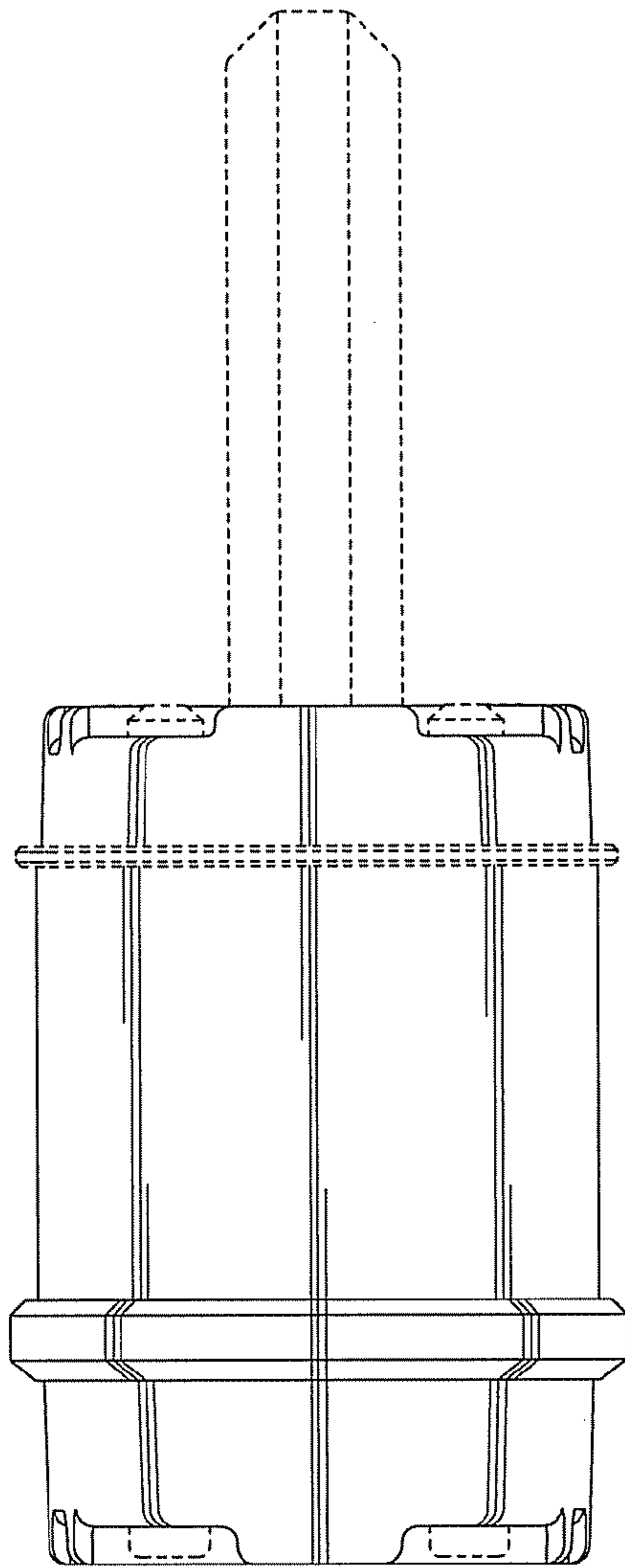


FIG. 6

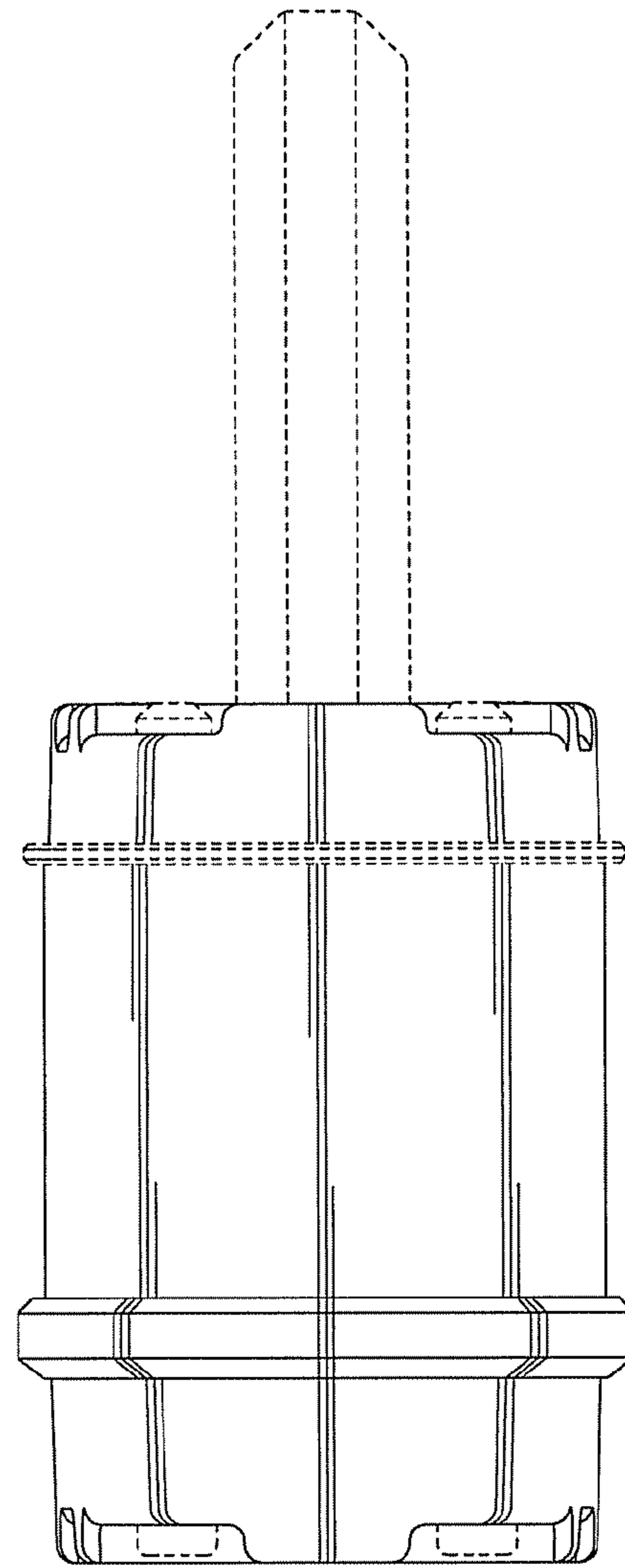


FIG. 7