



US00D605927S

(12) **United States Design Patent**
Wyers

(10) **Patent No.:** **US D605,927 S**

(45) **Date of Patent:** **** Dec. 15, 2009**

(54) **LOCKING ROD DEVICE**

(57) **CLAIM**

(76) **Inventor:** **Philip W. Wyers**, 14705 E. Aberdeen Ave., Centennial, CO (US) 80016

The ornamental design for a locking rod device, as shown and described.

(**) **Term:** **14 Years**

DESCRIPTION

(21) **Appl. No.:** **29/192,232**

(22) **Filed:** **Oct. 20, 2003**

(51) **LOC (9) Cl.** **08-07**

(52) **U.S. Cl.** **D8/331**

(58) **Field of Classification Search** D8/330,
D8/331, 336, 339, 341, 343; 70/181-189,
70/431, 14, 34, 33, 91; 292/86, 259 R, 288,
292/340, 32, 156, 41, 119

See application file for complete search history.

FIG. 1 is a perspective view of a locking rod device showing my new design with the lock head to the left;

FIG. 2 is a perspective view of a locking rod device with the lock head to the right;

FIG. 3 is a side view.

FIG. 4 is a side view showing 1/4turn clockwise rotation of FIG. 3.

FIG. 5 is a side view showing 1/4turn clockwise rotation of FIG. 4

FIG. 6 is an end view from the non-locking side.

FIG. 7 is an end view from the locking head side.

FIG. 8 is a side view with the lock in the unlock position.

FIG. 9 is a side view showing a second embodiment of the locking rod device.

FIG. 10 is a side view showing a third embodiment of the locking rod device.

FIG. 11 is a side view showing a fourth embodiment of the locking rod device.

FIG. 12 is a side view showing a fifth embodiment of the locking rod device; and,

FIGS. 9-12 disclose different sizes and lengths of the lock rod device, which can be connected to the ornamental end portions disclosed in FIG. 1-8.

(56) **References Cited**

U.S. PATENT DOCUMENTS

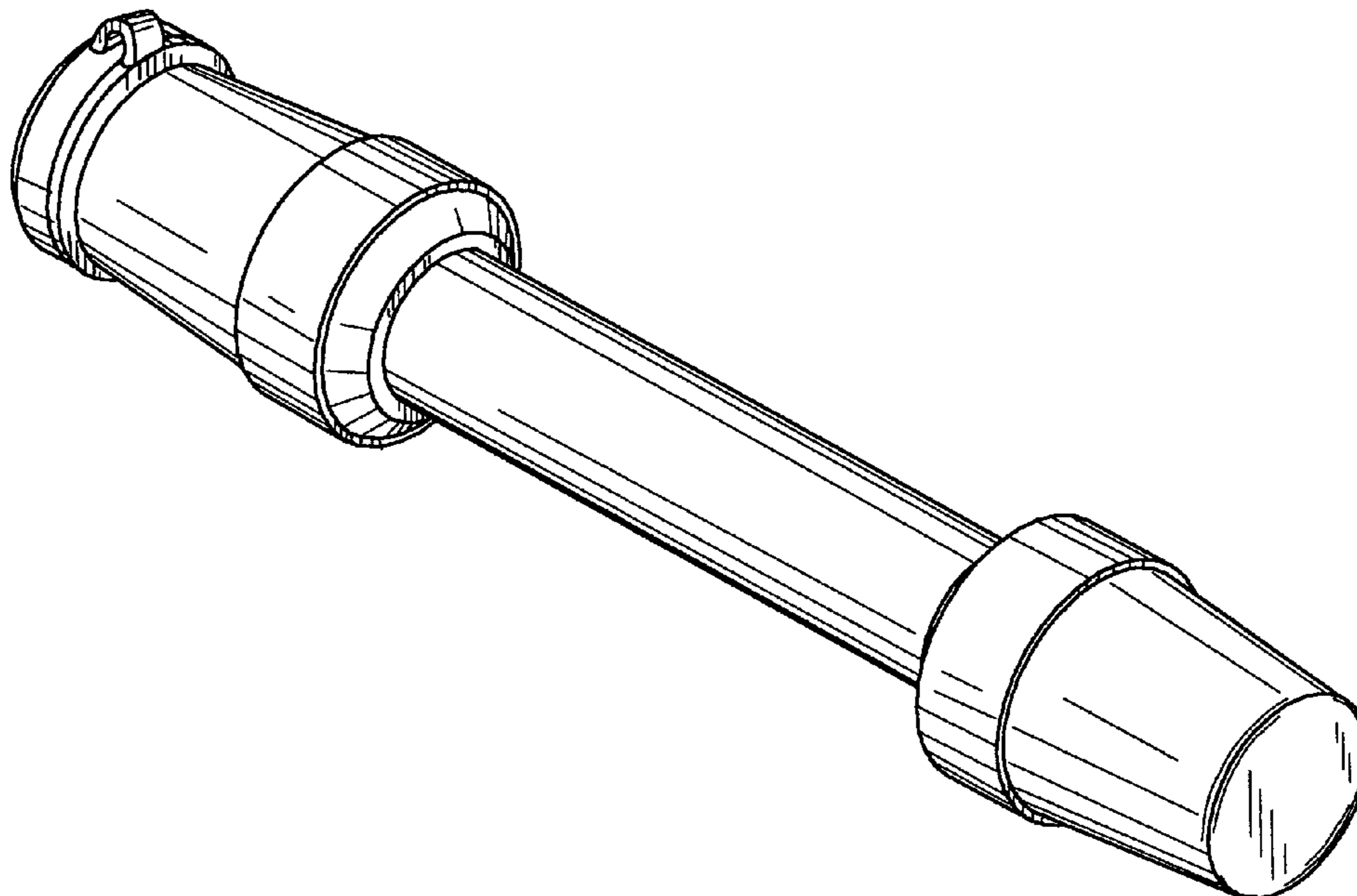
4,711,106	A *	12/1987	Johnson	70/34
D295,606	S *	5/1988	Ault	D8/330
5,284,038	A *	2/1994	Johnson	70/232
5,682,775	A *	11/1997	Baber	70/34
6,055,832	A *	5/2000	Wyers	70/34
D428,795	S *	8/2000	Wyers	D8/341
D444,050	S *	6/2001	Wyers	D8/341
D447,043	S *	8/2001	Wyers	D8/339
6,425,272	B1 *	7/2002	Chen	70/34
D461,392	S *	8/2002	Zapushek	D8/331
6,575,000	B1 *	6/2003	Li	70/34
D484,773	S *	1/2004	Wyers	D8/330

* cited by examiner

Primary Examiner—Prabhakar Deshmukh

(74) *Attorney, Agent, or Firm*—Holland & Hart LLP

1 Claim, 3 Drawing Sheets



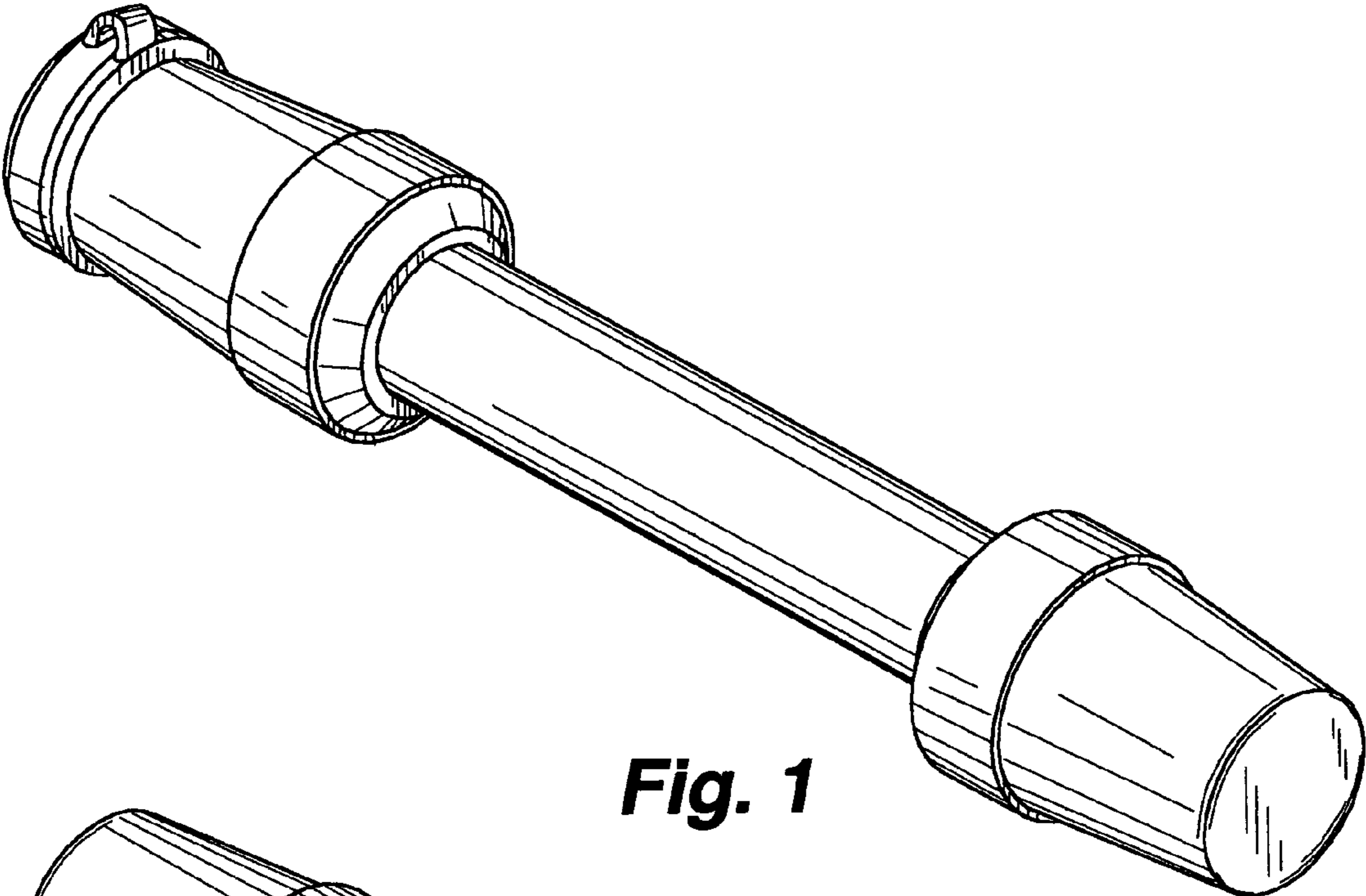


Fig. 1

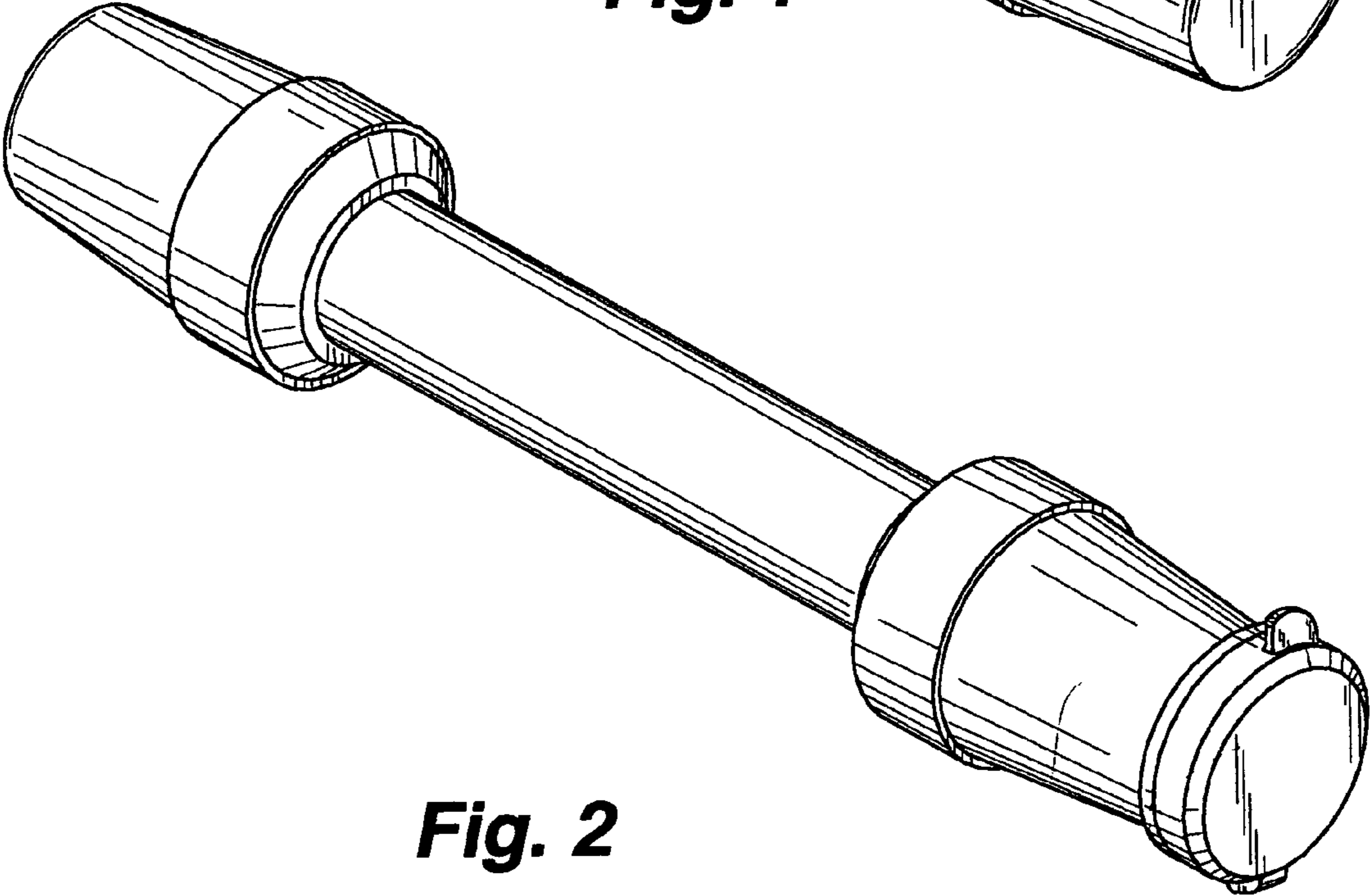


Fig. 2

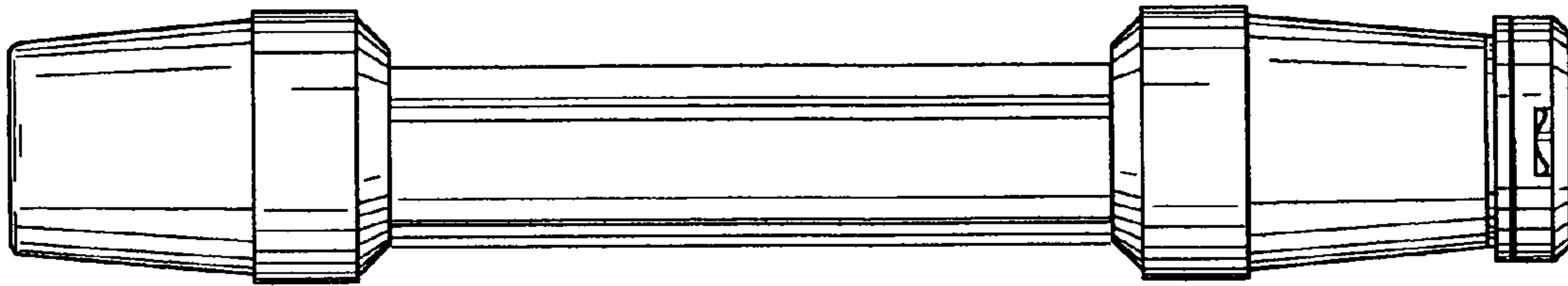


Fig. 3

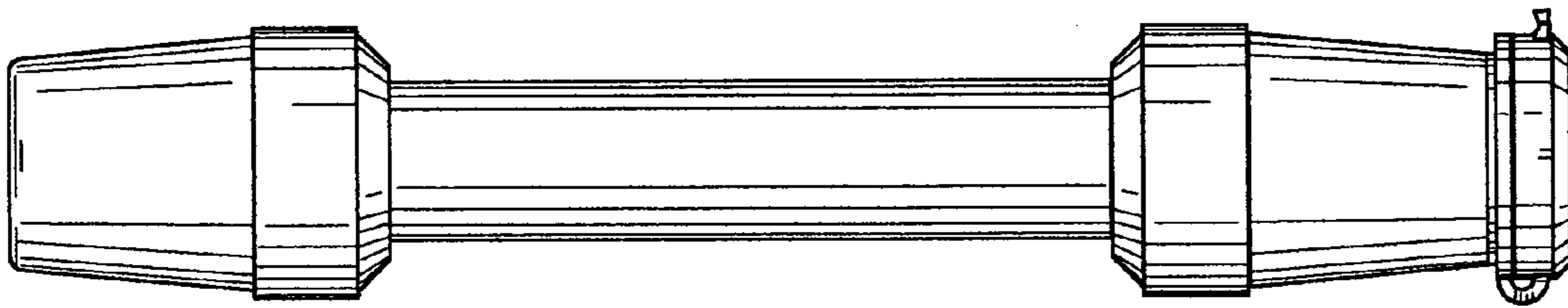


Fig. 4

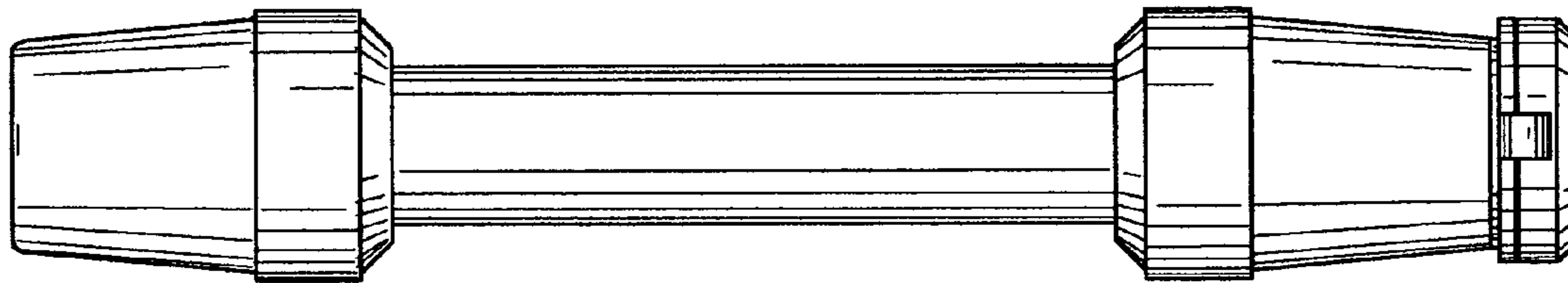


Fig. 5

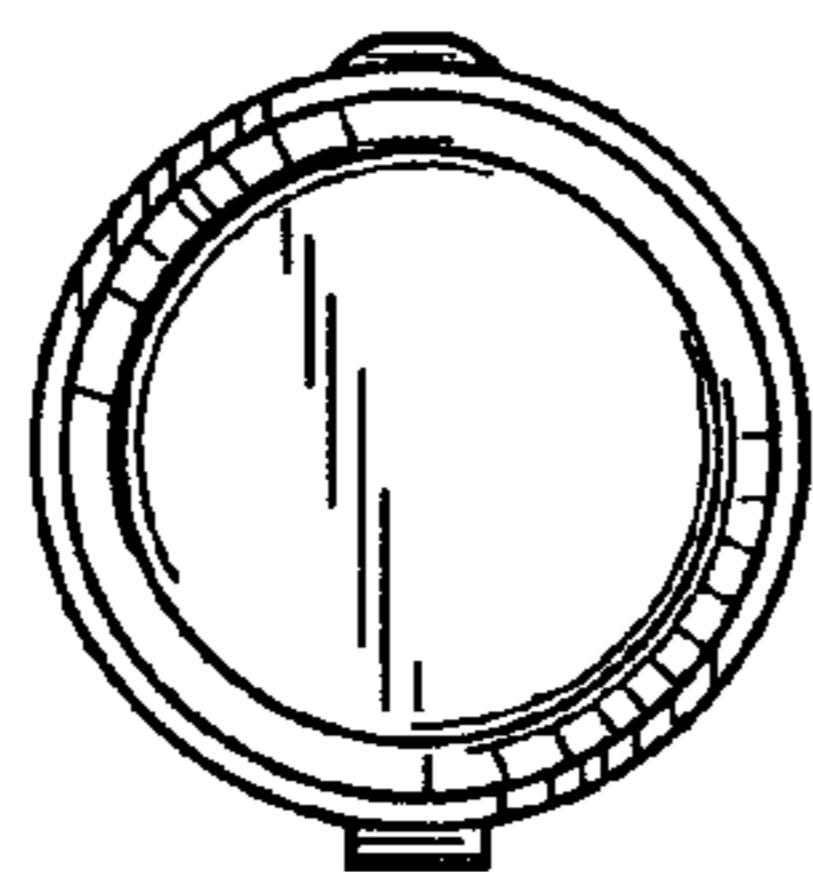


Fig. 6

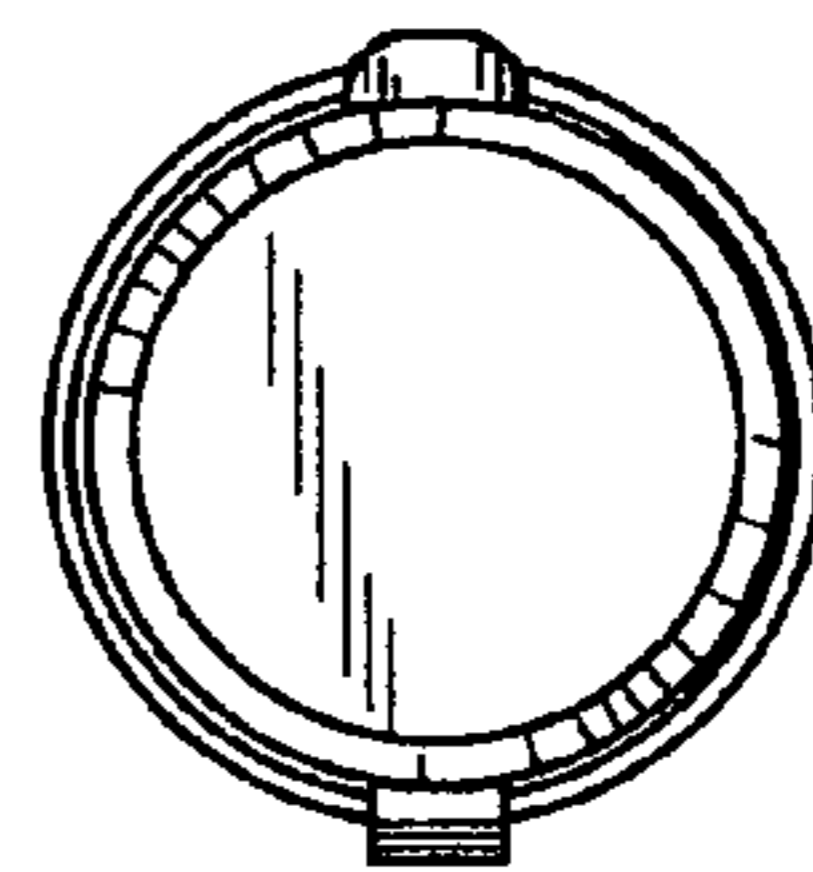


Fig. 7

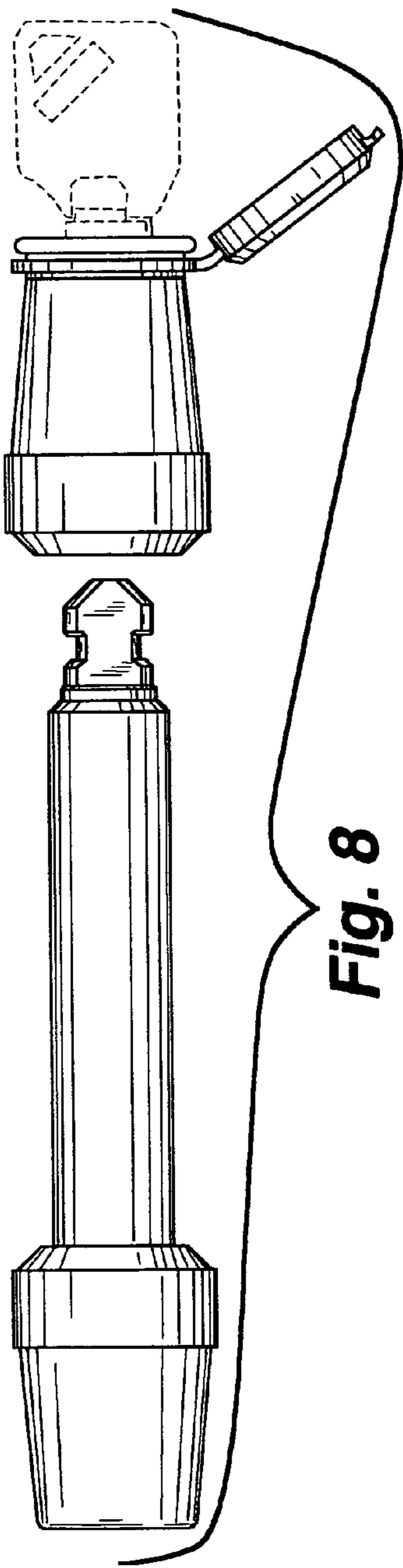


Fig. 8

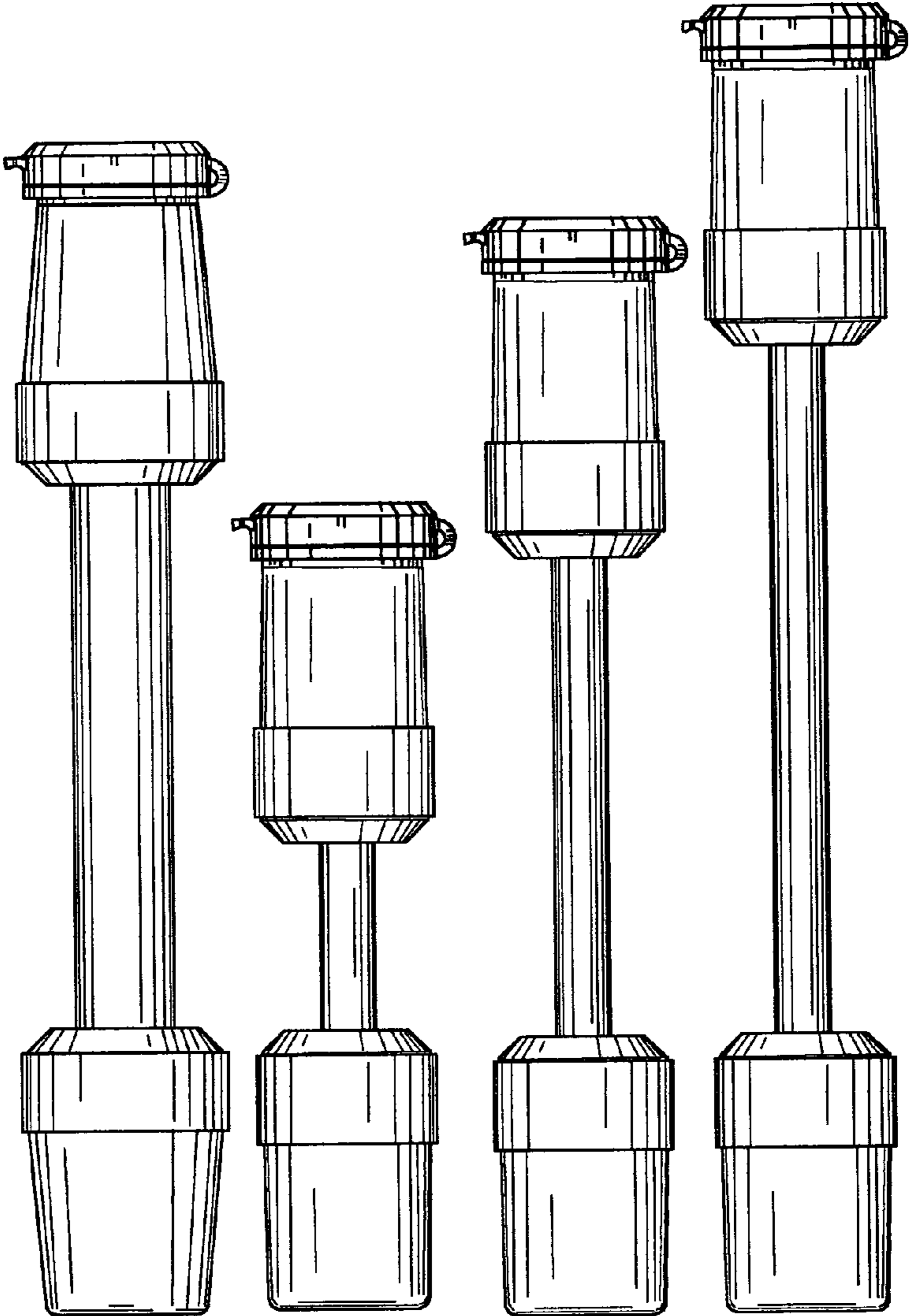


Fig. 9

Fig. 10

Fig. 11

Fig. 12