



US00D605925S

(12) **United States Design Patent**
Sato

(10) **Patent No.:** **US D605,925 S**
(45) **Date of Patent:** **** Dec. 15, 2009**

(54) **CONNECTOR FOR A CELL PHONE**

(75) Inventor: **Yoshitaka Sato**, Hitachi (JP)

(73) Assignee: **SMK Corporation**, Tokyo (JP)

(**) Term: **14 Years**

(21) Appl. No.: **29/326,281**

(22) Filed: **Oct. 15, 2008**

(30) **Foreign Application Priority Data**

Jun. 3, 2008 (JP) 2008-014114

(51) **LOC (9) Cl.** **07-08**

(52) **U.S. Cl.** **D8/323; D14/138 AB**

(58) **Field of Classification Search** D8/323,
D8/330, 327, 328, 499; D3/324; 16/334,
16/263, 312, 285, 380, 382, 392, 356, 225,
16/229, 355, 326, 391; 105/280; 126/194;
606/130; 399/57; 200/61.7; 439/31; 455/575.3;
74/469; D14/138 R, 138 AA, 138 AB, 137,
D14/299

See application file for complete search history.

(56) **References Cited**

U.S. PATENT DOCUMENTS

D164,606	S *	9/1951	Sclage	D8/352
4,186,905	A *	2/1980	Brudy	248/478
D321,468	S *	11/1991	Reid	D8/352
5,133,152	A *	7/1992	Grancagnolo	49/239
D359,294	S *	6/1995	Szabo	D15/199
D369,288	S *	4/1996	Jensen	D8/313
6,546,595	B2 *	4/2003	Huse	16/326
6,810,938	B2 *	11/2004	Aquilina	160/201
D551,937	S *	10/2007	Krumpe et al.	D8/310
D571,399	S *	6/2008	Hammad et al.	D19/10
D582,252	S *	12/2008	Cameron	D8/343
D583,218	S *	12/2008	Nave et al.	D8/346
D586,322	S *	2/2009	Sterzick	D14/138 AB

2005/0282596 A1* 12/2005 Park et al. 455/575.3

* cited by examiner

Primary Examiner—Robert M Spear

Assistant Examiner—Cynthia Underwood

(74) *Attorney, Agent, or Firm*—Darby & Darby PC

(57) **CLAIM**

The ornamental design for a connector for a cell phone, as shown and described.

DESCRIPTION

FIG. 1 is a front elevational view of a cell phone including my new design for a connector for a cell phone;

FIG. 2 is a rear elevational view of the cell phone of FIG. 1;

FIG. 3 is a right side elevational view of the cell phone of FIG. 1;

FIG. 4 is a left side elevational view of the cell phone of FIG. 1;

FIG. 5 is a bottom plan view of the cell phone of FIG. 1, illustrating my new design for a connector for a cell phone;

FIG. 6 is a perspective view of the cell phone of FIG. 1 as seen from bottom, right and front sides, further illustrating my new design for a connector for a cell phone.

FIG. 7 is a sectional view of the connector for a cell phone taken along line 7—7 of FIG. 5;

FIG. 8 is an enlarged sectional view of the connector for a cell phone of FIG. 7 taken to the right of line 8—8; and,

FIG. 9 is an enlarged view of the connector for a cell phone of FIG. 5 taken to the left of of line 9—9.

Features of the cell phone of FIGS. 1—9 shown in dashed lines are not part of the claimed design.

In FIG. 9, the radiating lines emanating from the small circles arrayed around the ring-shaped region indicate illumination.

1 Claim, 3 Drawing Sheets



Figure 1



Figure 2



Figure 3



Figure 4



Figure 5

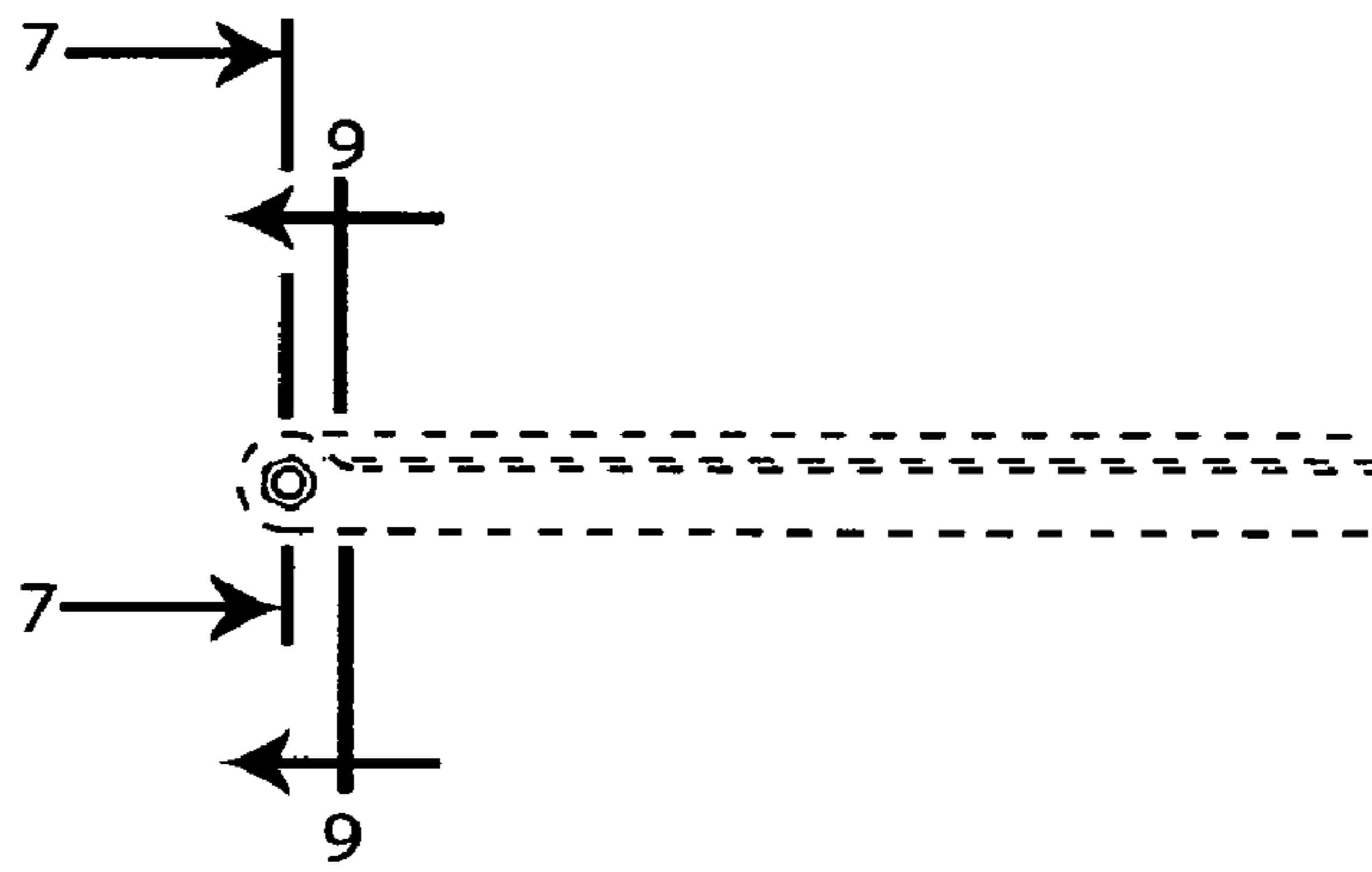


Figure 6

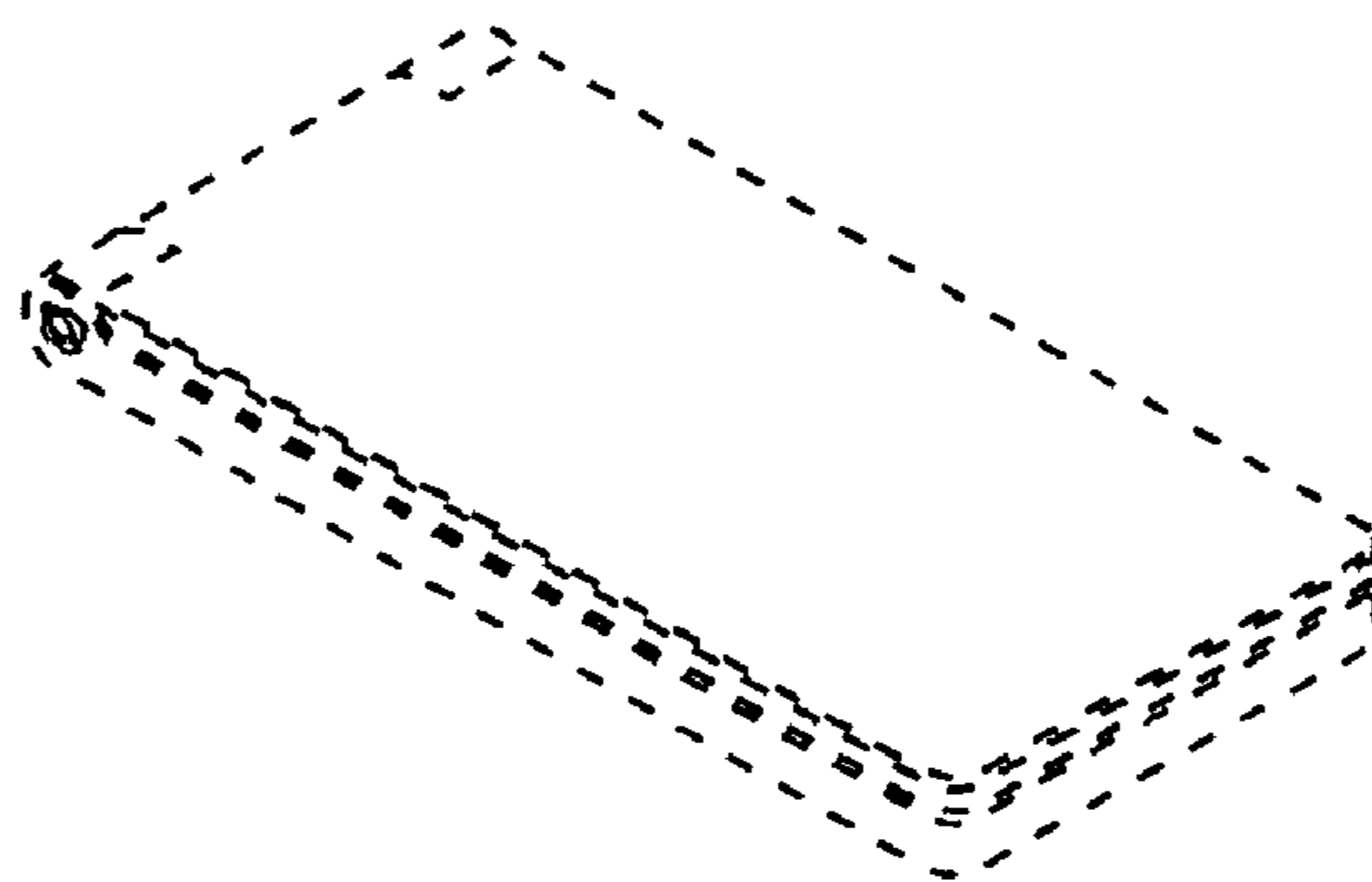


Figure 7

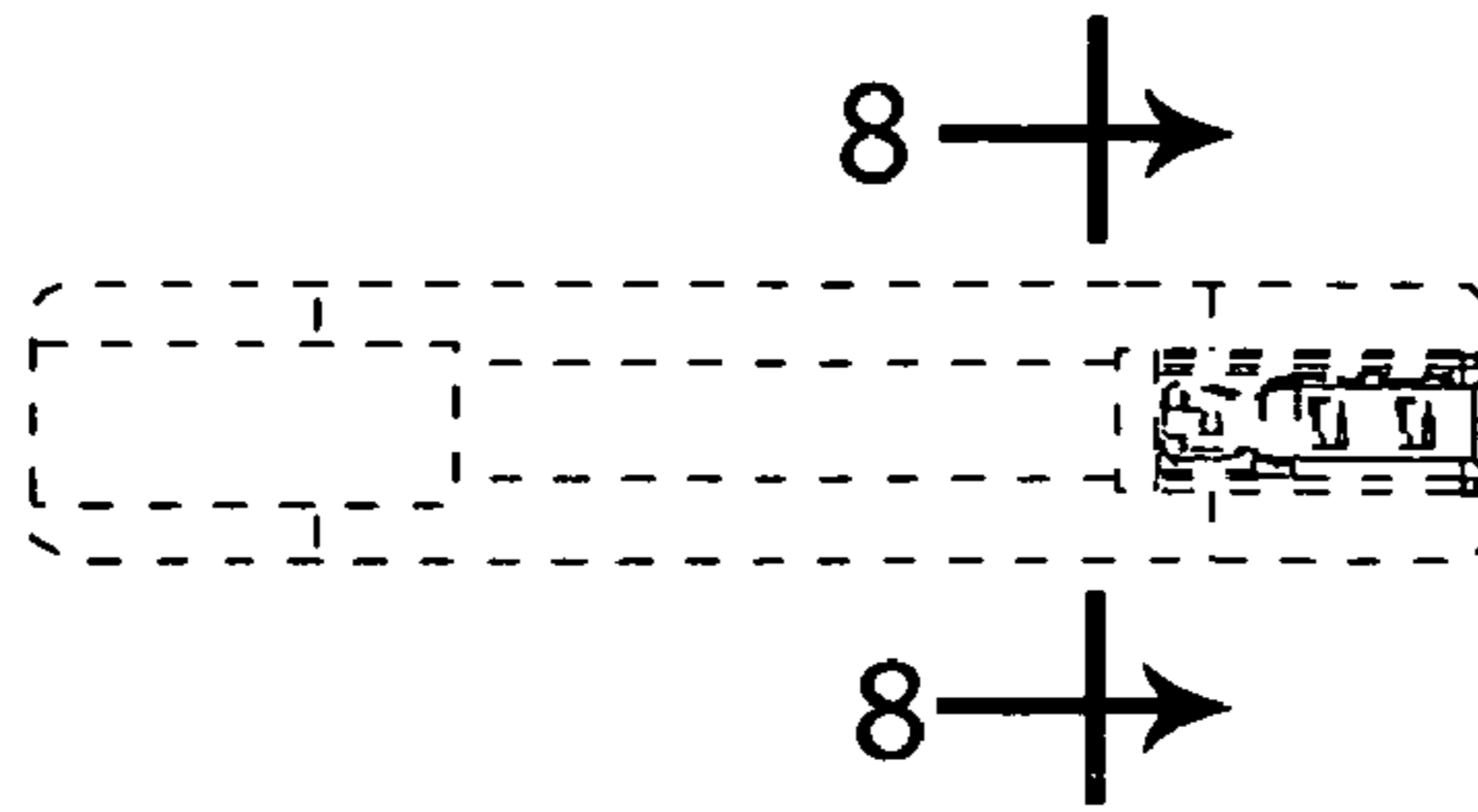


Figure 8

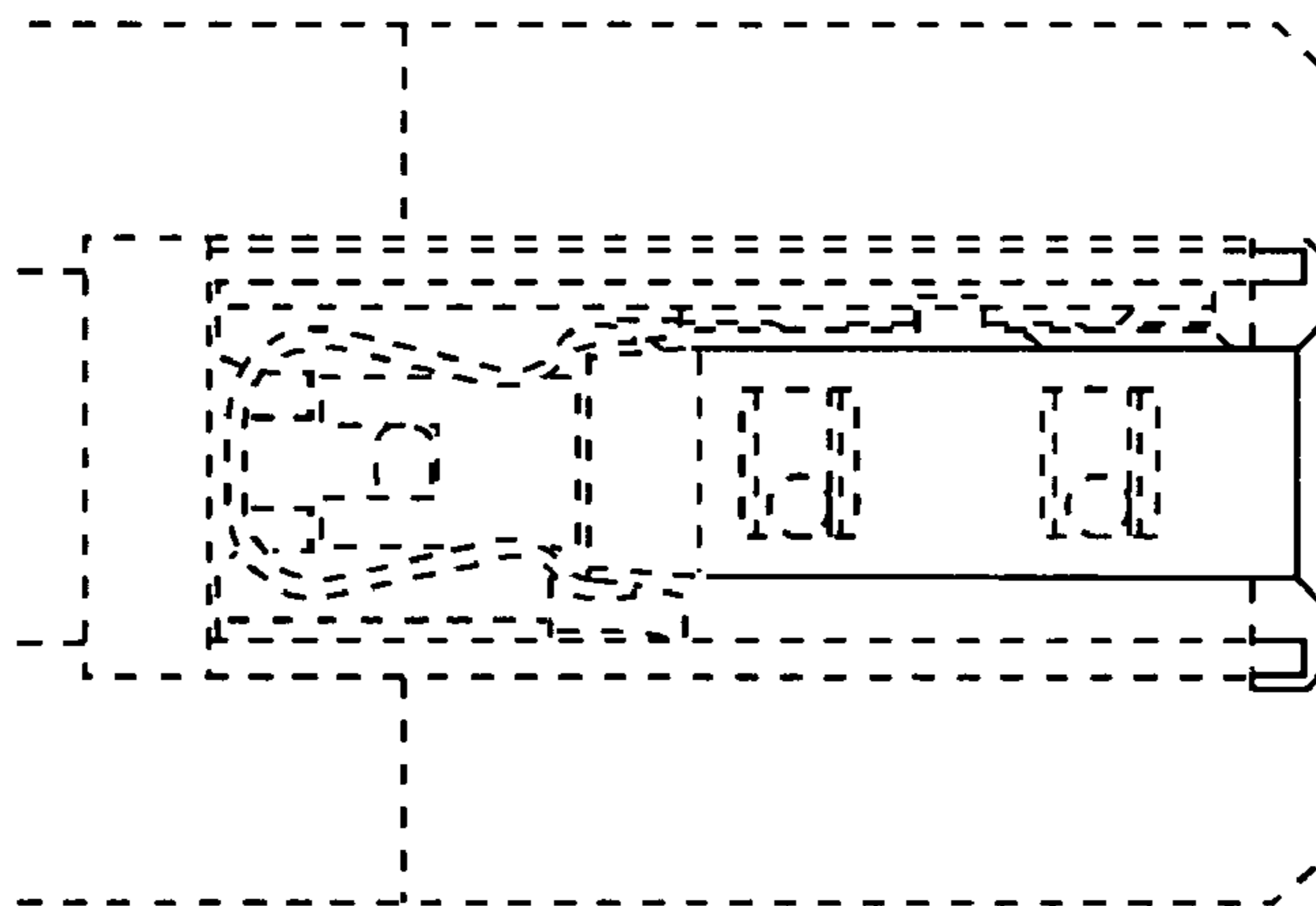


Figure 9

