



US00D605921S

(12) **United States Design Patent**
Cowan

(10) **Patent No.:** **US D605,921 S**

(45) **Date of Patent:** **** Dec. 15, 2009**

(54) **DRILL CHUCK ADAPTER**

(75) Inventor: **John Robert Cowan**, 23613 Dunsmore
La., Valencia, CA (US) 91354-2410

(73) Assignee: **John Robert Cowan**, Valencia, CA (US)

(**) Term: **14 Years**

(21) Appl. No.: **29/315,403**

(22) Filed: **Jun. 23, 2009**

(51) **LOC (9) Cl.** **08-05**

(52) **U.S. Cl.** **D8/70**

(58) **Field of Classification Search** D8/61-71;
175/320, 324, 393, 415; 279/145, 60-64,
279/157, 901-902; 299/33; 408/239 R;
81/429

See application file for complete search history.

(56) **References Cited**

U.S. PATENT DOCUMENTS

- 4,296,656 A * 10/1981 Ernst 81/429
- D329,581 S * 9/1992 Vest D8/70
- 5,191,666 A * 3/1993 Corbin 279/145
- D379,420 S * 5/1997 Standlee et al. D8/70

- D383,315 S * 9/1997 Woodring D6/315
- D416,267 S * 11/1999 Reilly D8/70
- D560,109 S * 1/2008 Huang D8/70

* cited by examiner

Primary Examiner—Antoine D Davis

(57) **CLAIM**

The ornamental design for a drill chuck adapter, as shown and described.

DESCRIPTION

FIG. 1 is an elevated view depicting the part of the adapter that receives the square rotor of an impact wrench, the side of which has a set screw as a locking mechanism to lock adapter on said square rotor of the impact wrench thereof.

FIG. 2 is an elevated view of the adapter depicting a threaded shaft that screws into a threaded opening of a drill chuck (not shown). Said threaded shaft having a left-handed threaded bore at it's end which accommodates a left-handed screw. Said left-handed screw prevents loosening of shaft on said drill chuck when reverse drilling is applied thereof; and,

FIG. 3 is a cross sectional view thereof, drawn for clarity of above specification herein.

1 Claim, 2 Drawing Sheets

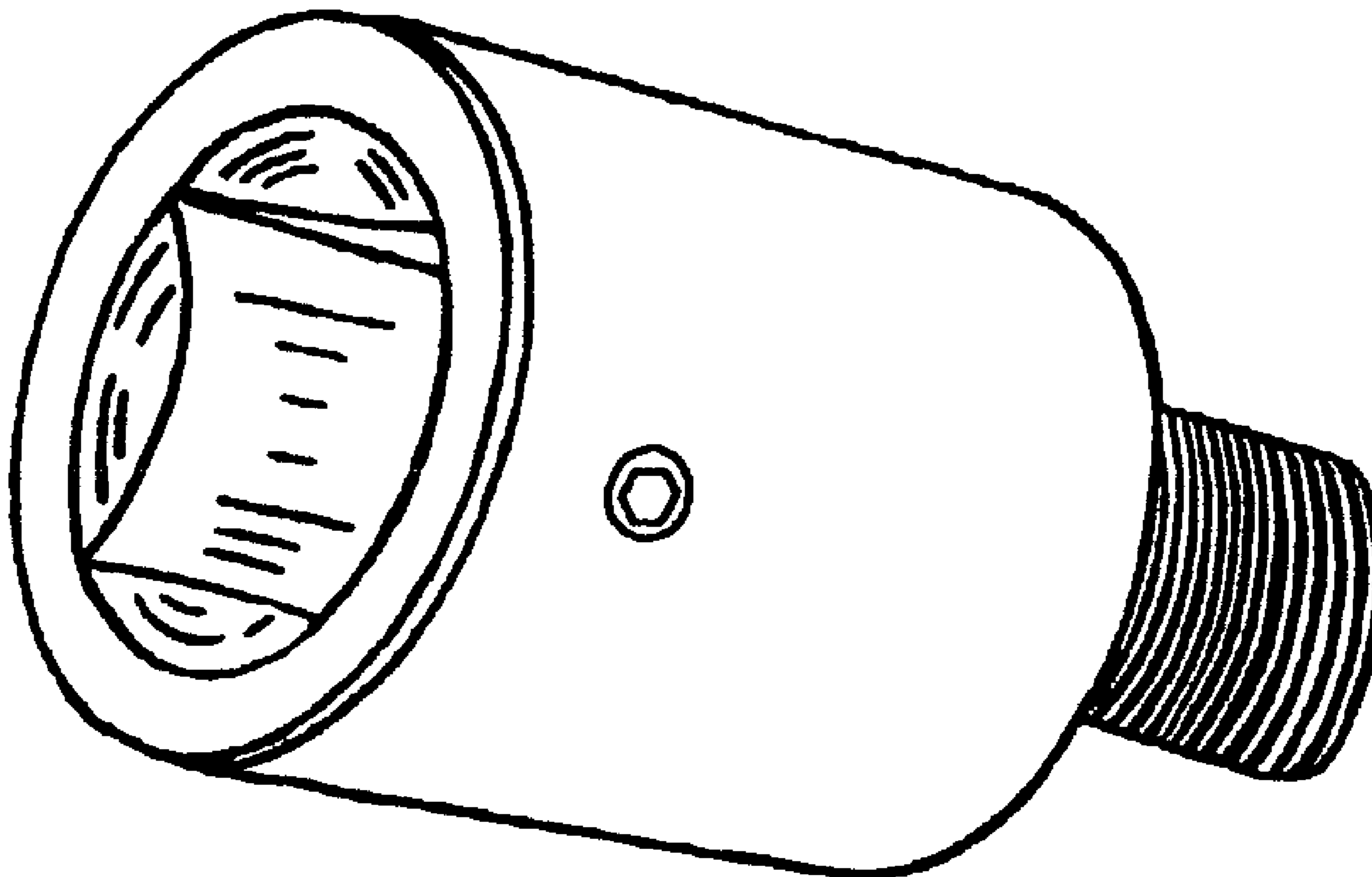


Fig. 1

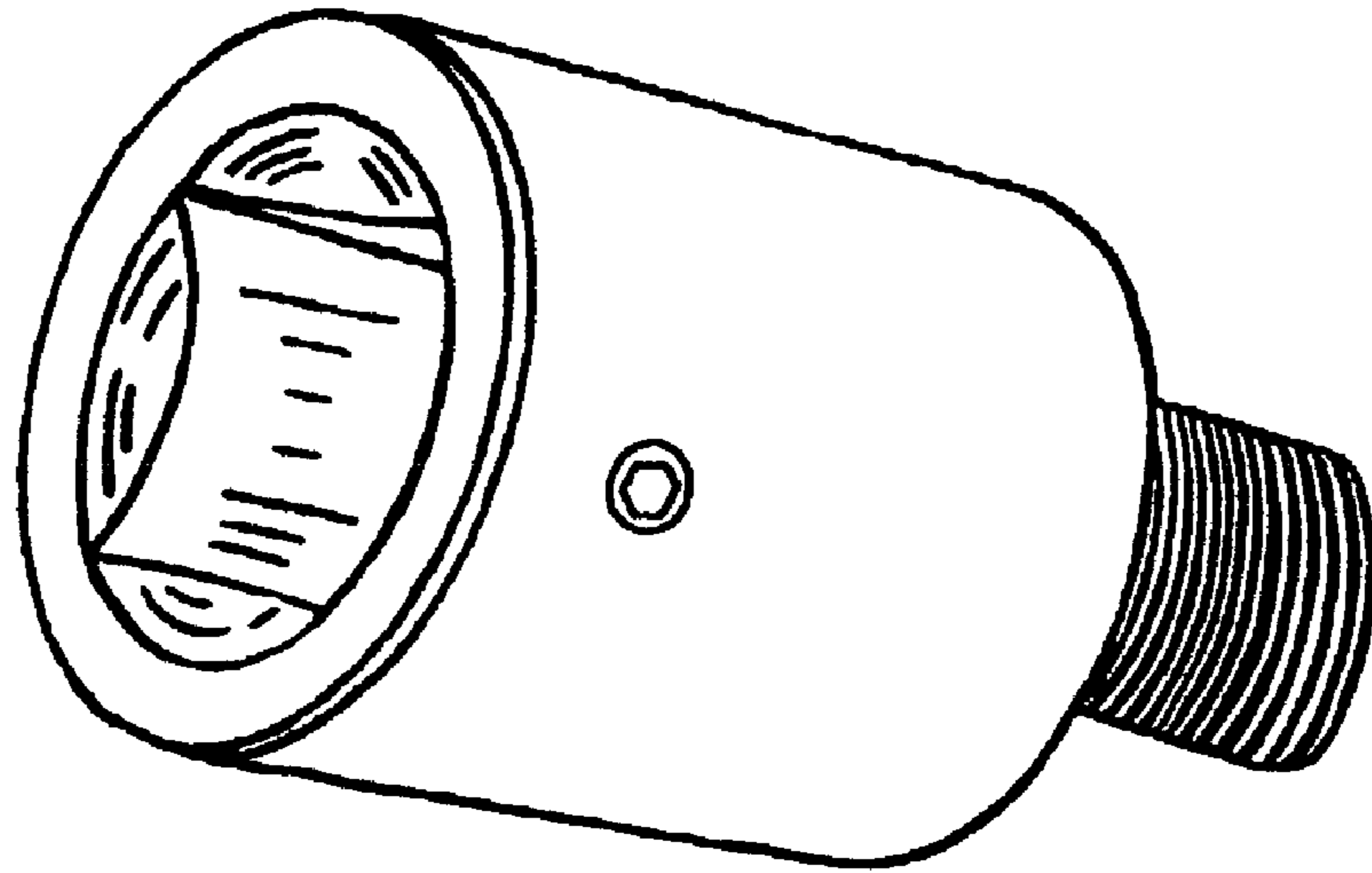


Fig. 2

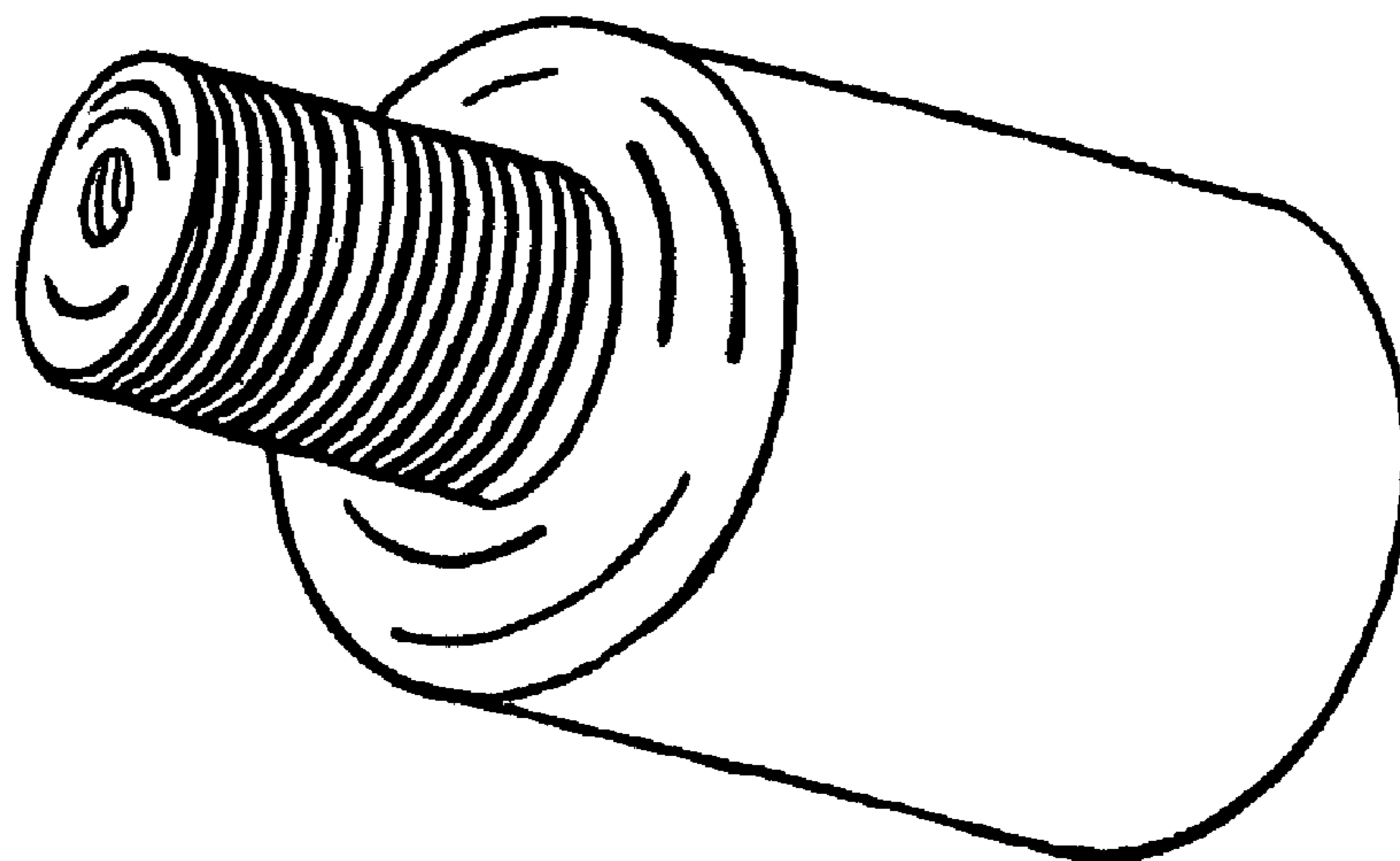


Fig. 3

