



US00D605920S

(12) **United States Design Patent**
Schneider et al.

(10) **Patent No.:** **US D605,920 S**

(45) **Date of Patent:** **** Dec. 15, 2009**

(54) **NAILER**

(75) Inventors: **Bret M. Schneider**, Newport, KY (US);
Elizabeth Ann Gradwohl, Morrow, OH (US);
Bobby Lynn Lawrence, Palmetto, FL (US);
Gregory A. Kramer, Cincinnati, OH (US)

(73) Assignee: **Campbell Hausfeld/Scott Fetzer Company**, Harrison, OH (US)

(**) Term: **14 Years**

(21) Appl. No.: **29/331,611**

(22) Filed: **Jan. 29, 2009**

(51) **LOC (9) Cl.** **08-05**

(52) **U.S. Cl.** **D8/69; D8/70**

(58) **Field of Classification Search** D8/68-69,
D8/70; 81/57.11, 429, 454, 455, 456, 469,
81/489; 173/13, 104, 114, 168, 169-171,
173/178, 201, 211, 213, 217; 408/20, 124,
408/125, 234, 241 R; 451/358; 310/50;
227/113, 114, 120, 130, 136, 142

See application file for complete search history.

(56) **References Cited**

U.S. PATENT DOCUMENTS

D477,513 S	*	7/2003	Bor	D8/69
D516,400 S	*	3/2006	Yang	D8/69
D526,551 S	*	8/2006	Sakai et al.	D8/69
D586,196 S	*	2/2009	Kosugi et al.	D8/69

* cited by examiner

Primary Examiner—Antoine D Davis

(74) *Attorney, Agent, or Firm*—Jones Day

(57) **CLAIM**

The ornamental design for a nailer, as shown and described.

DESCRIPTION

FIG. 1 is a perspective view of a first nailer, comprising a first embodiment of the ornamental design of the present invention.

FIG. 2 is a side view of thereof.

FIG. 3 is an opposite side view thereof.

FIG. 4 is a front view thereof.

FIG. 5 is a rear view thereof.

FIG. 6 is a top view thereof.

FIG. 7 is a bottom view thereof.

FIG. 8 is a perspective view of a second nailer, comprising a second embodiment of the ornamental design of the present invention.

FIG. 9 is a side view of thereof.

FIG. 10 is an opposite side view thereof.

FIG. 11 is a front view thereof.

FIG. 12 is a rear view thereof.

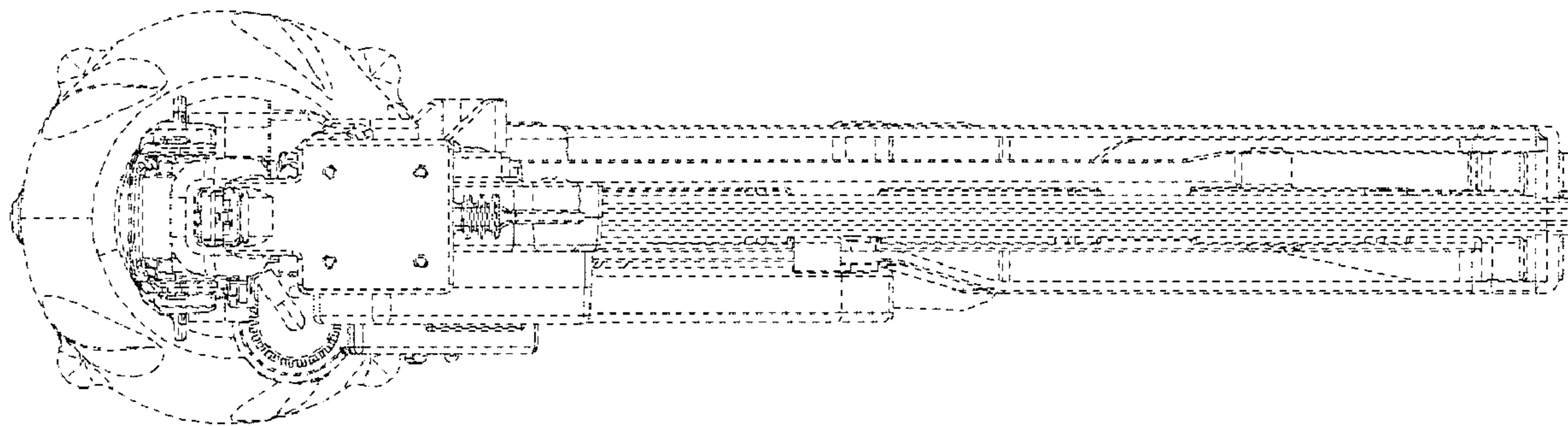
FIG. 13 is a top view thereof; and,

FIG. 14 is a bottom view thereof.

The broken lines in the figures are for illustrative purposes only and form no part of the claimed design.

The claimed features are common to both embodiments. They comprise a series of closed surfaces, each bounding a somewhat arrow-shaped opening in the nailer.

1 Claim, 10 Drawing Sheets



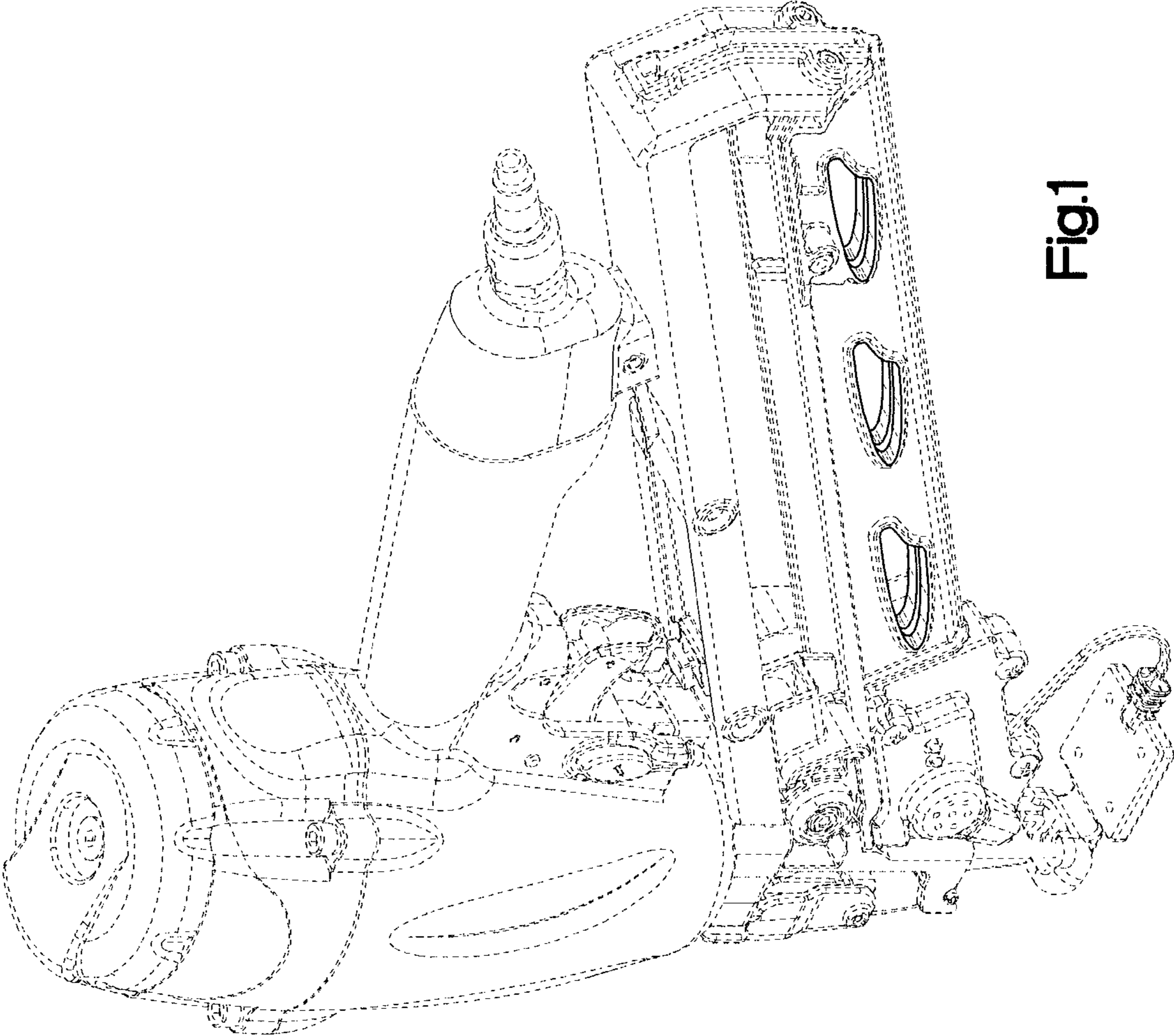


Fig.1

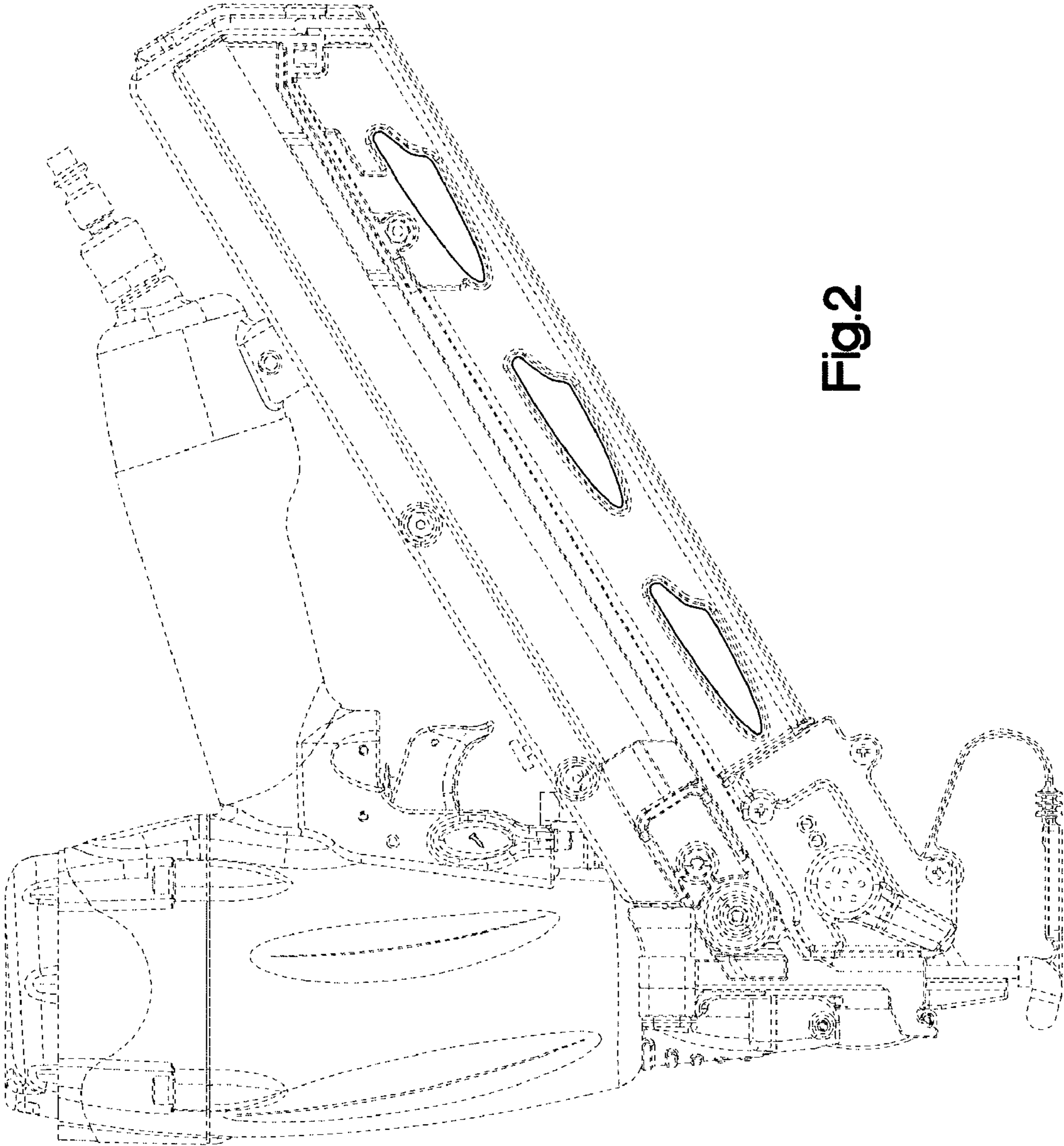


Fig.2

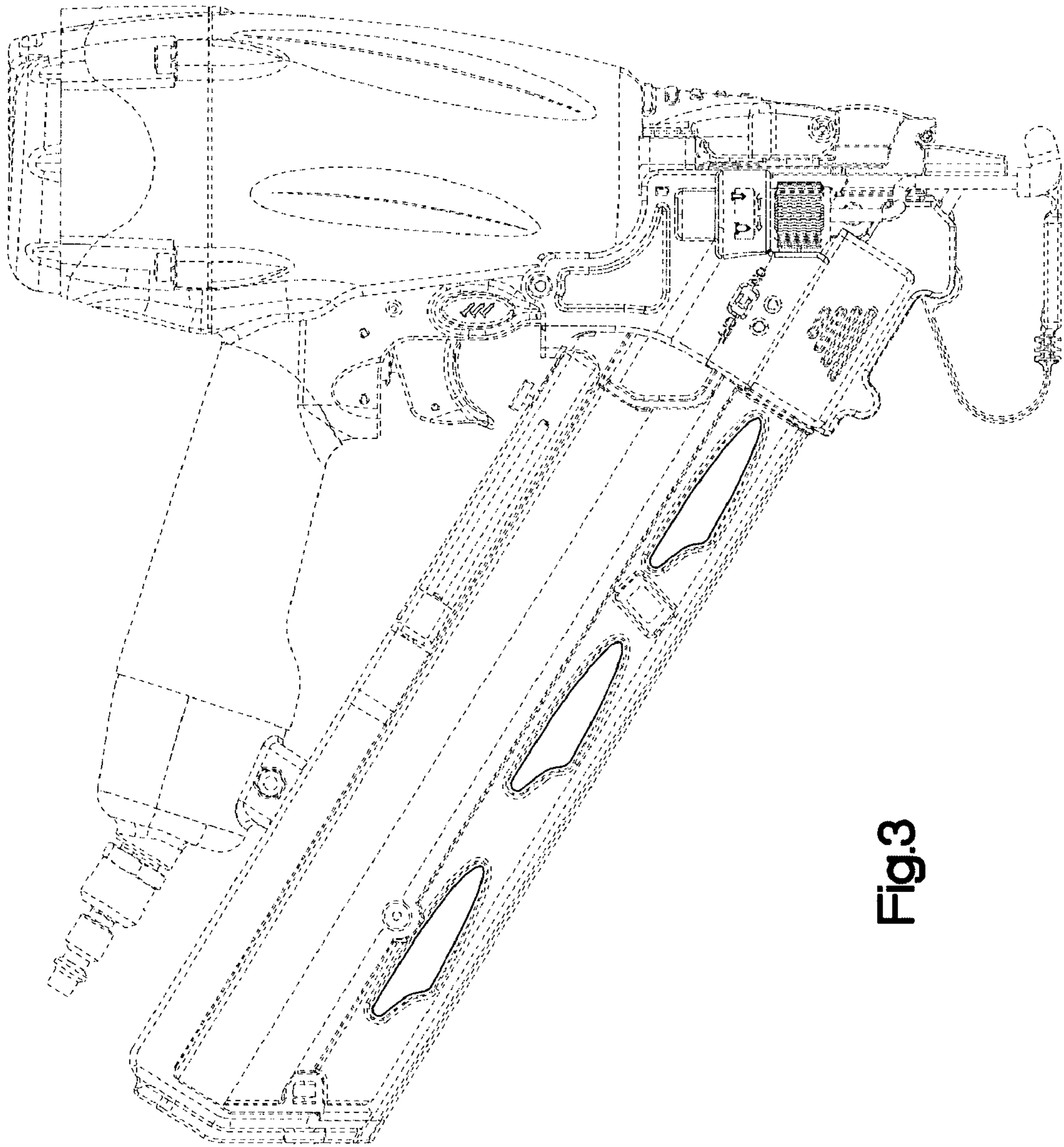


Fig.3

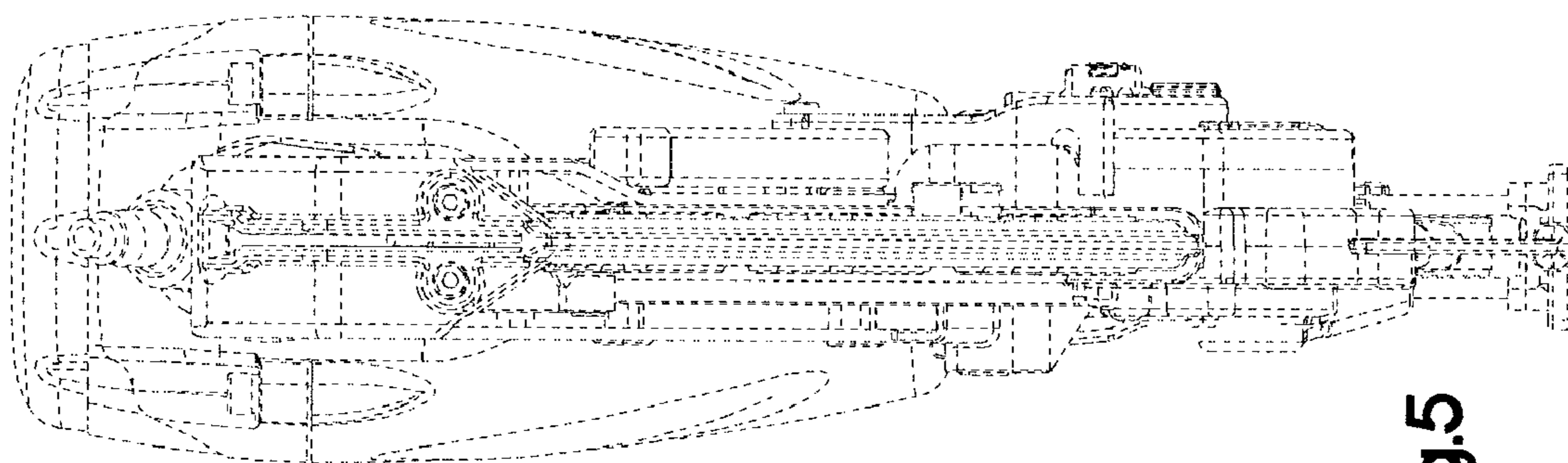


Fig.5

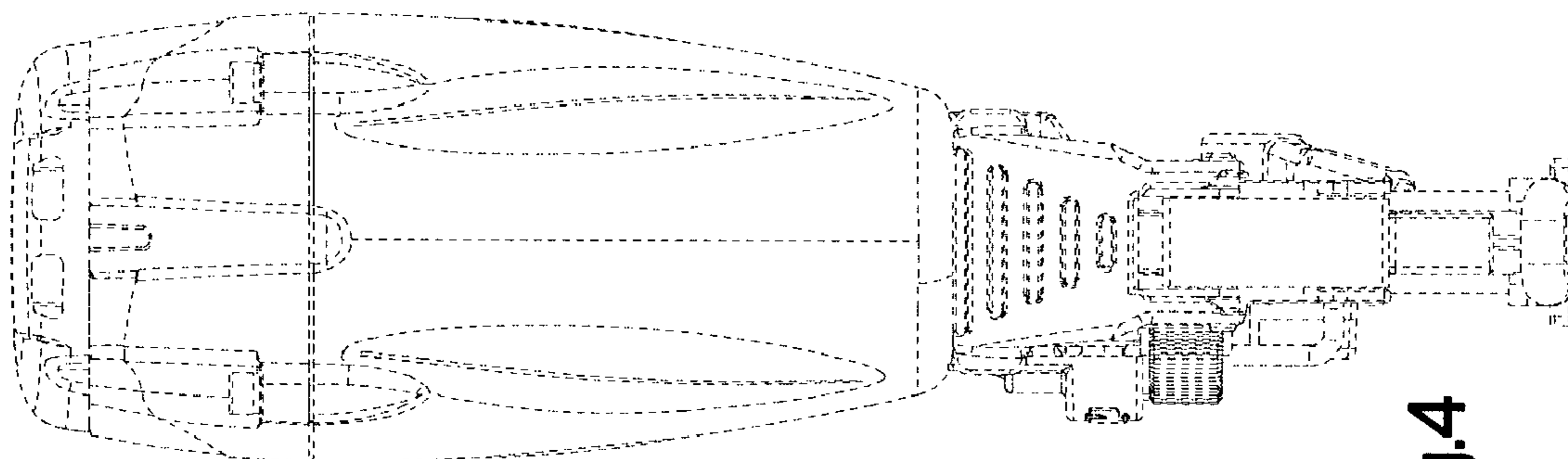


Fig.4

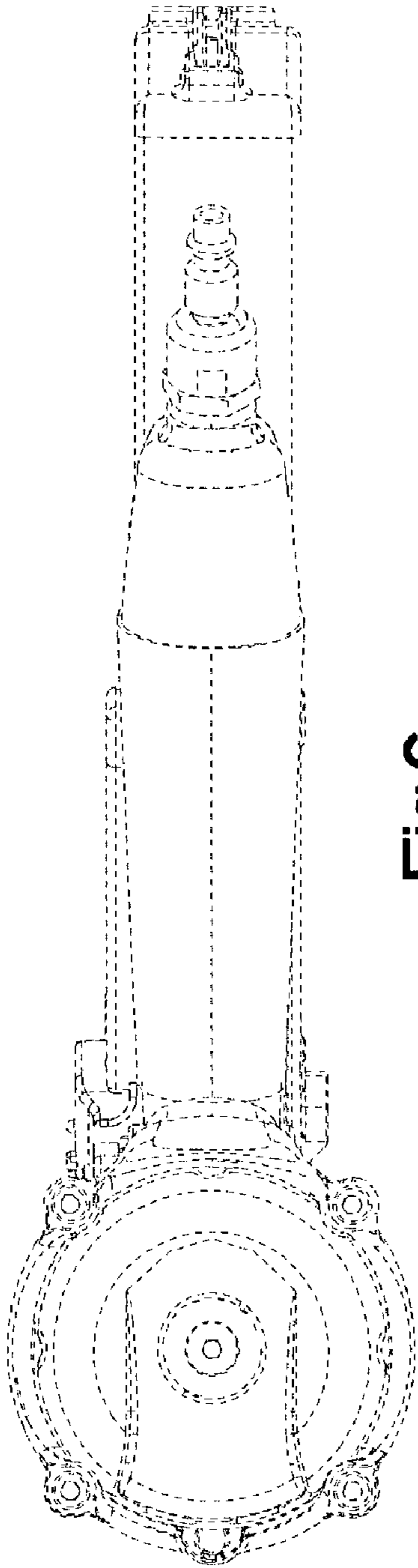


Fig.6

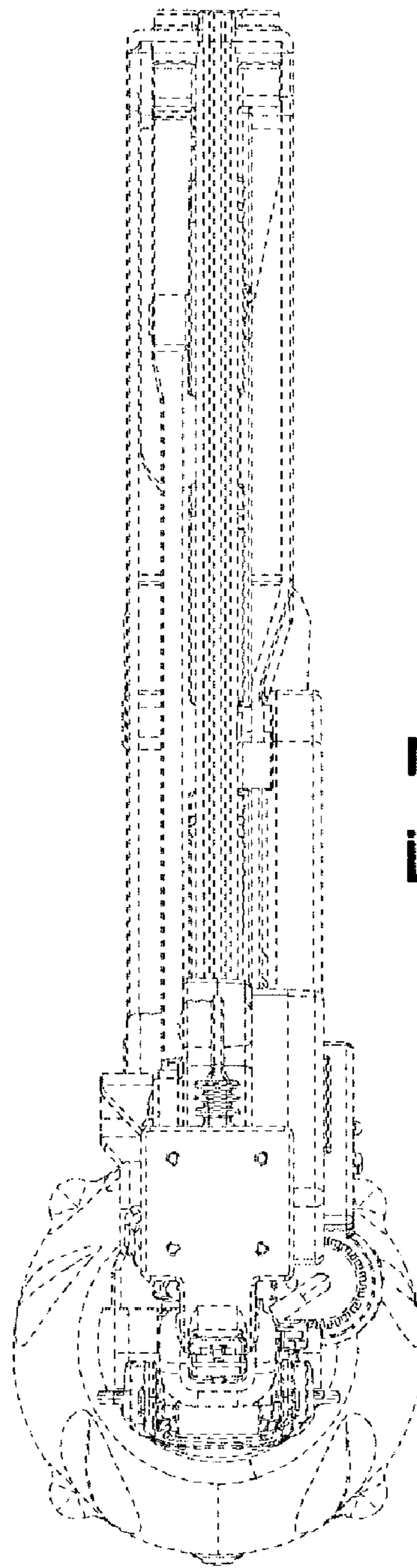


Fig.7

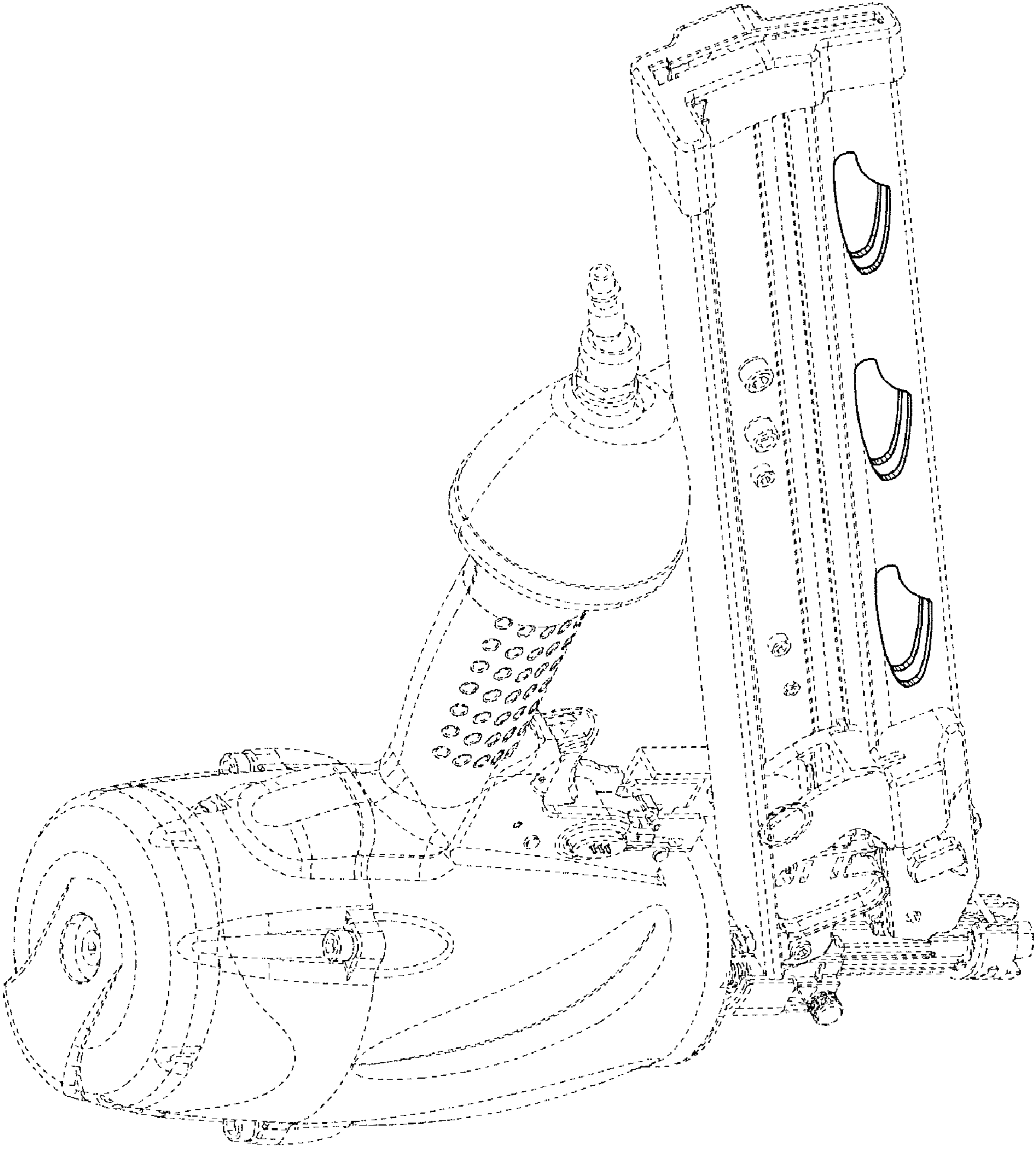


Fig.8

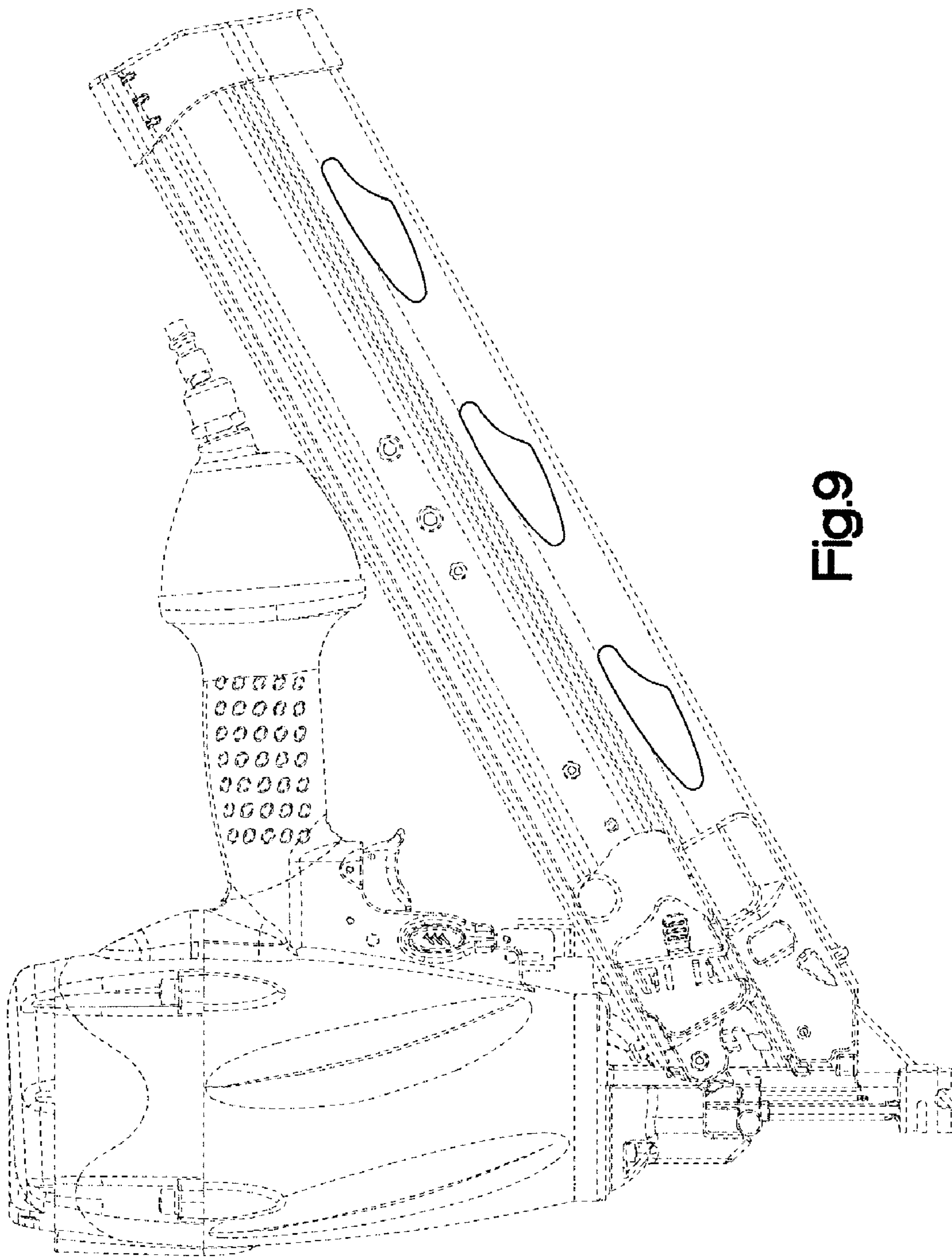


Fig.9

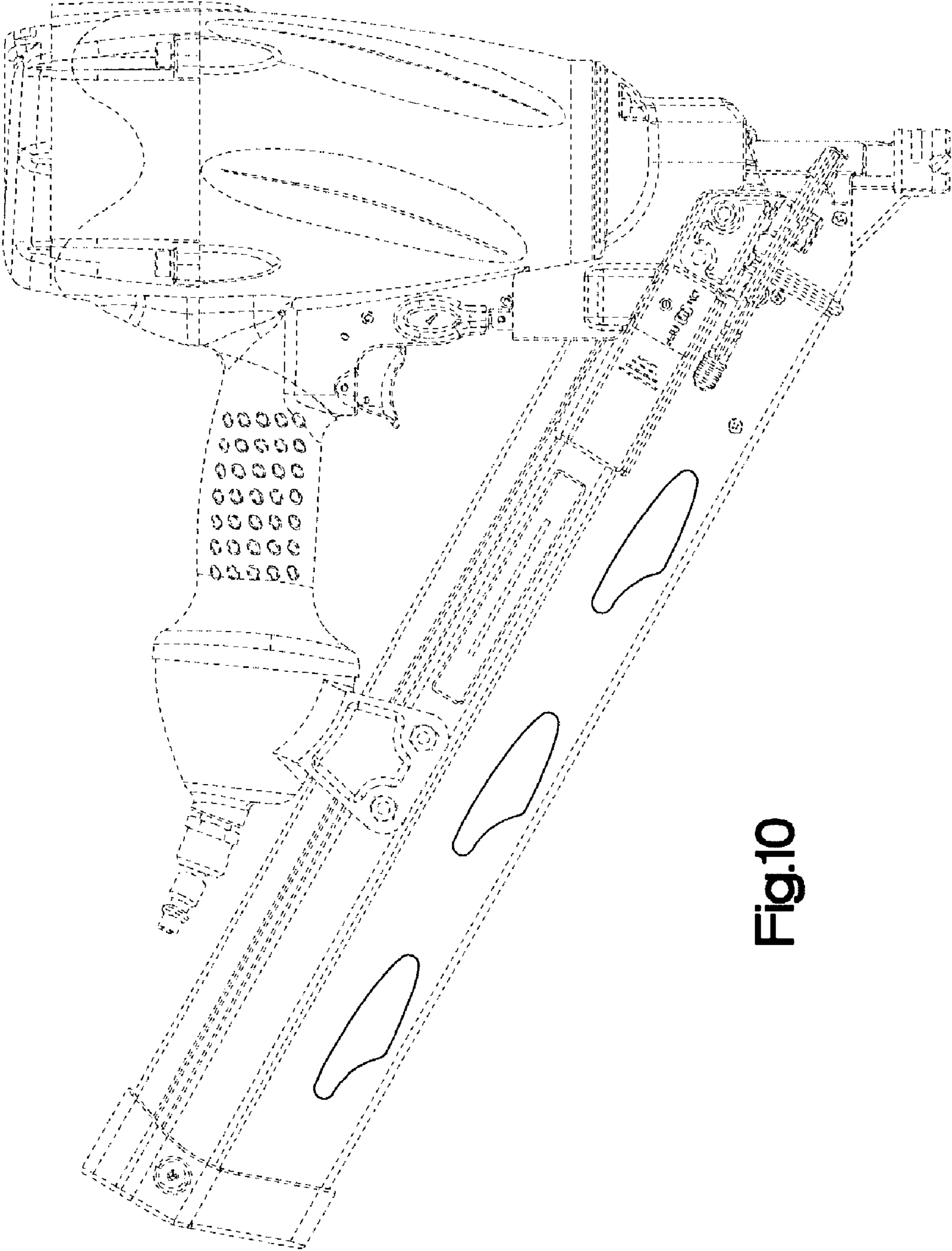


Fig.10

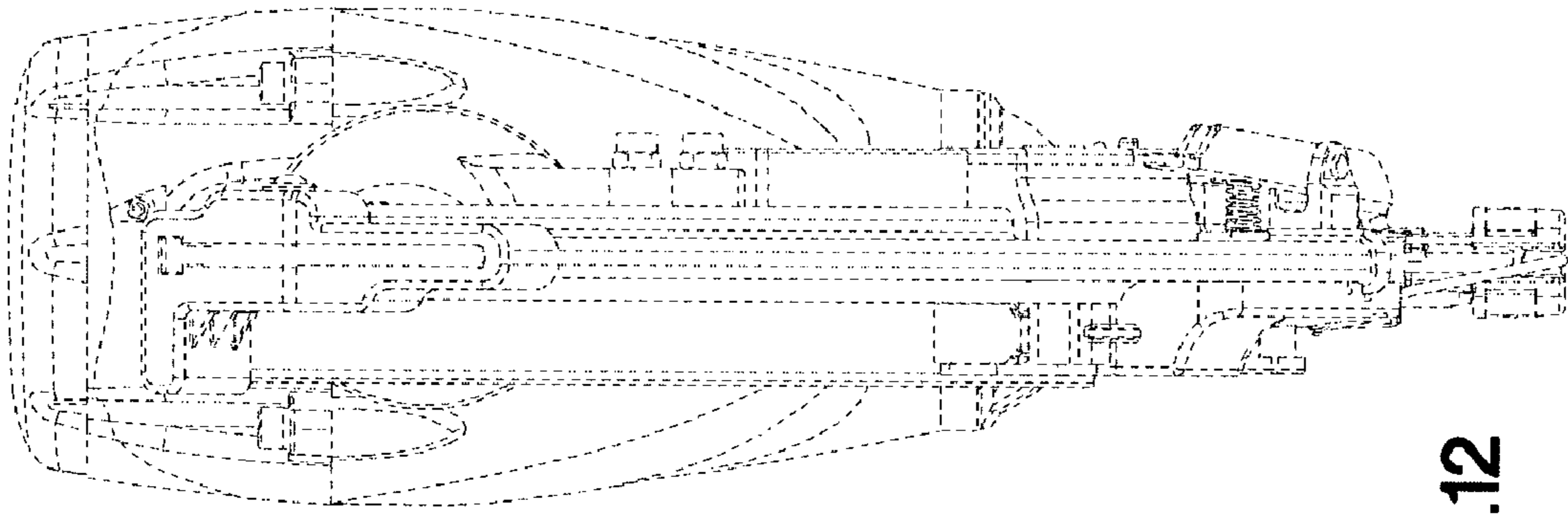


Fig.12

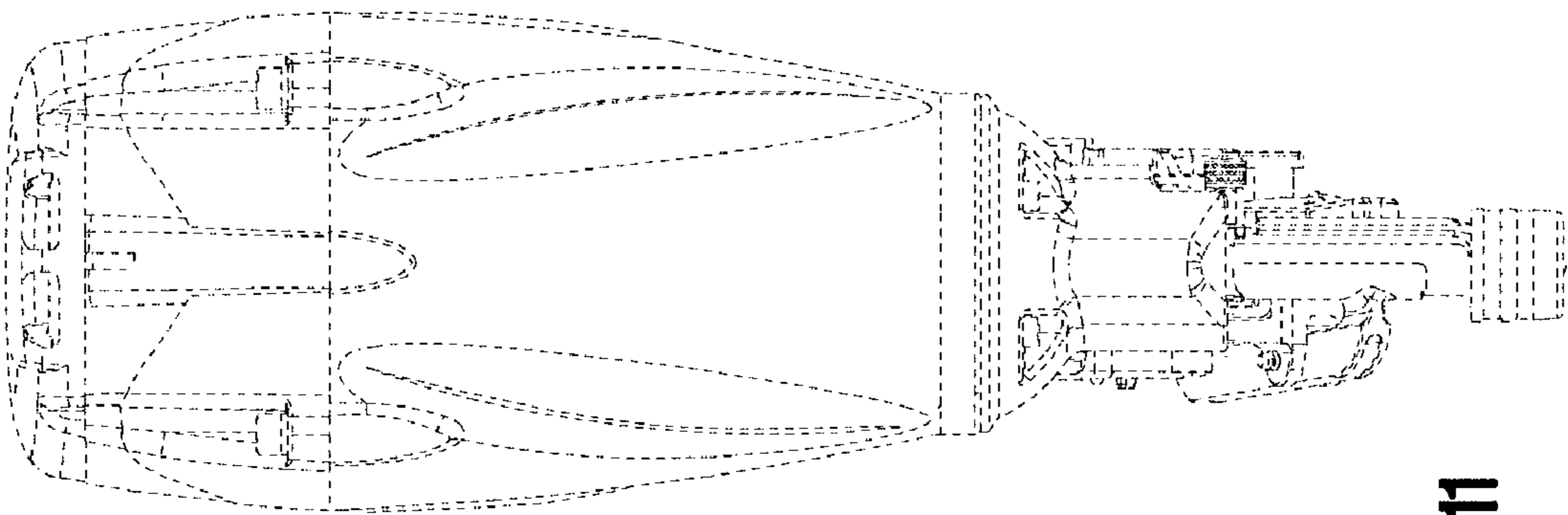


Fig.11

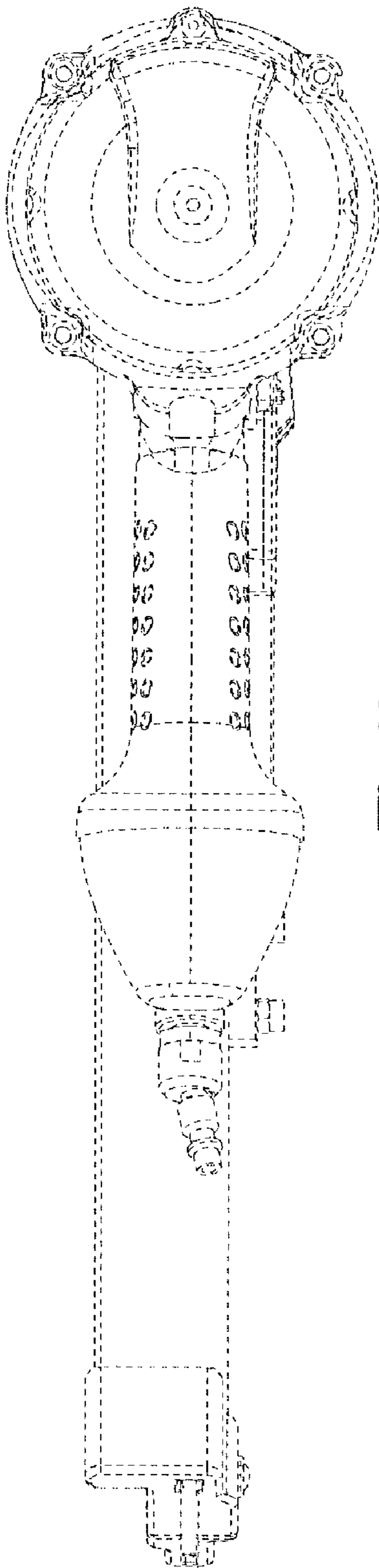


Fig.13

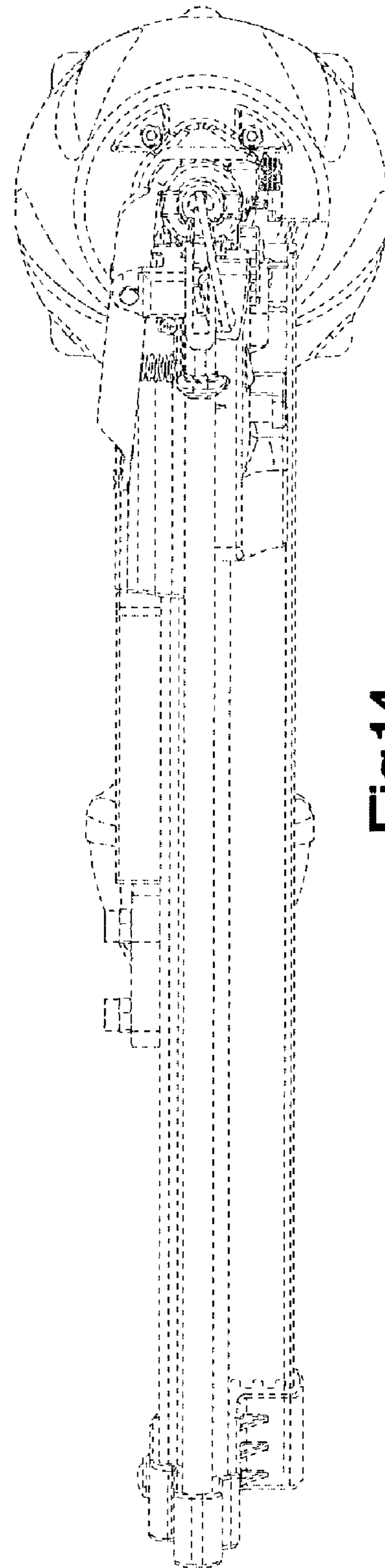


Fig.14