



US00D605919S

(12) **United States Design Patent**
Schneider et al.

(10) **Patent No.:** **US D605,919 S**
(45) **Date of Patent:** **** Dec. 15, 2009**

- (54) **NAILER**
- (75) Inventors: **Bret M. Schneider**, Newport, KY (US);
Elizabeth Ann Gradwohl, Morrow, OH (US);
Bobby Lynn Lawrence, Palmetto, FL (US);
Gregory A. Kramer, Cincinnati, OH (US)
- (73) Assignee: **Campbell Hausfeld/Scott Fetzer Company**, Harrison, OH (US)
- (**) Term: **14 Years**
- (21) Appl. No.: **29/331,610**
- (22) Filed: **Jan. 29, 2009**
- (51) **LOC (9) Cl.** **08-05**
- (52) **U.S. Cl.** **D8/69; D8/70**
- (58) **Field of Classification Search** D8/68-69,
D8/70; 81/57.11, 429, 454, 455, 456, 469,
81/489; 173/13, 104, 114, 168, 169-171,
173/178, 201, 211, 213, 217; 408/20, 124,
408/125, 234, 241 R; 451/358; 310/50;
227/113, 114, 120, 130, 136, 142

See application file for complete search history.

(56) **References Cited**

U.S. PATENT DOCUMENTS

D477,513 S * 7/2003 Bor D8/69

(Continued)

Primary Examiner—Antoine D Davis
(74) *Attorney, Agent, or Firm*—Jones Day

(57) **CLAIM**

The ornamental design for a nailer, as shown and described.

DESCRIPTION

FIG. 1 is a perspective view of a first nailer, comprising a first embodiment of the ornamental design of the present invention.

FIG. 2 is a side view of thereof.

FIG. 3 is an opposite side view thereof.

FIG. 4 is a front view thereof

FIGS. 4A, 4B and 4C are sectional views taken at lines 4A, 4B and 4C of FIG. 4 of the peripheral surface of a barrel thereof.

FIG. 5 is a rear view thereof.

FIG. 6 is a top view thereof.

FIG. 7 is a bottom view thereof.

FIG. 8 is a perspective view of a second nailer, comprising a second embodiment of the ornamental design of the present invention.

FIG. 9 is a side view of thereof.

FIG. 10 is an opposite side view thereof.

FIG. 11 is a front view thereof

FIGS. 11A, 11B and 11C are sectional views taken at lines 11A, 11B and 11C of FIG. 11 of the peripheral surface of a barrel thereof.

FIG. 12 is a rear view thereof.

FIG. 13 is a top view thereof.

FIG. 14 is a bottom view thereof.

FIG. 15 is a perspective view of a third nailer, comprising a third embodiment of the ornamental design of the present invention.

FIG. 16 is a side view of thereof.

FIG. 17 is an opposite side view thereof.

FIG. 18 is a front view thereof

FIGS. 18A, 18B and 18C are sectional views taken at lines 18A, 18B and 18C of FIG. 18 of the peripheral surface of a barrel thereof.

FIG. 19 is a rear view thereof.

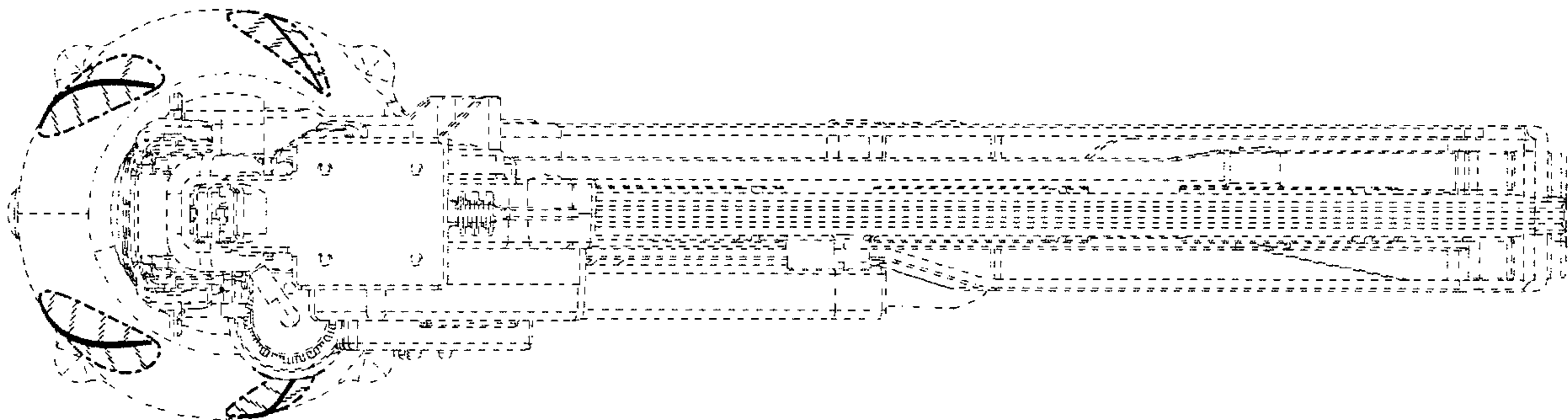
FIG. 20 is a top view thereof; and,

FIG. 21 is a bottom view thereof.

The broken lines in the figures are for illustrative purposes only and form no part of the claimed design. Specifically, dashed lines define unclaimed features, including radius-change lines. Dot-dash lines, which bound areas with shading lines, define boundaries of the claimed design.

The claimed features are common to all three embodiments. They comprise four gradually-curved ridges extending longitudinally along the barrel and a wavy line extending circumferentially about the barrel.

1 Claim, 15 Drawing Sheets



US D605,919 S

Page 2

U.S. PATENT DOCUMENTS

D516,400 S *	3/2006	Yang	D8/69	
D526,551 S *	8/2006	Sakai et al.	D8/69	* cited by examiner
				D586,196 S * 2/2009 Kosugi et al. D8/69

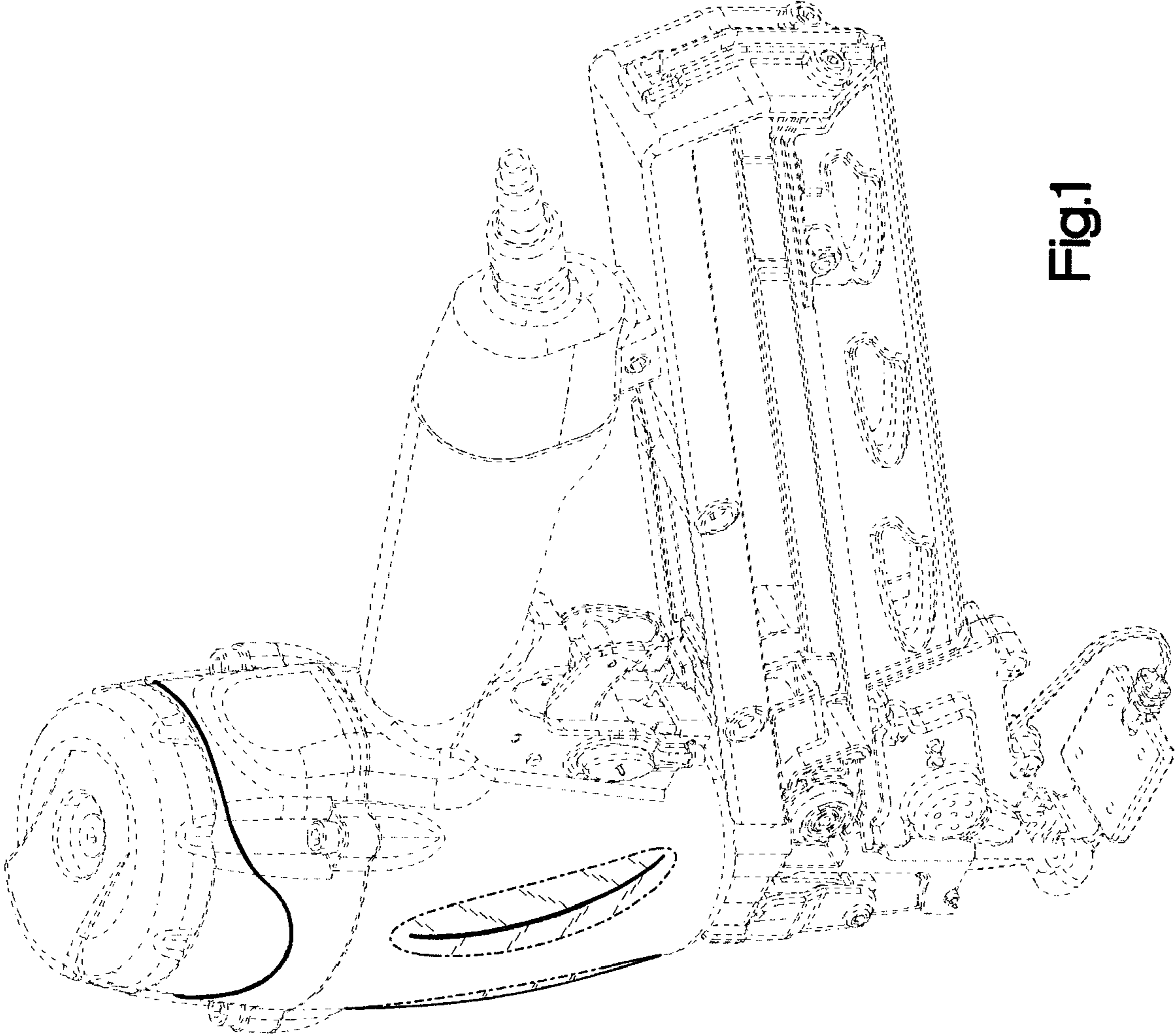


Fig.1

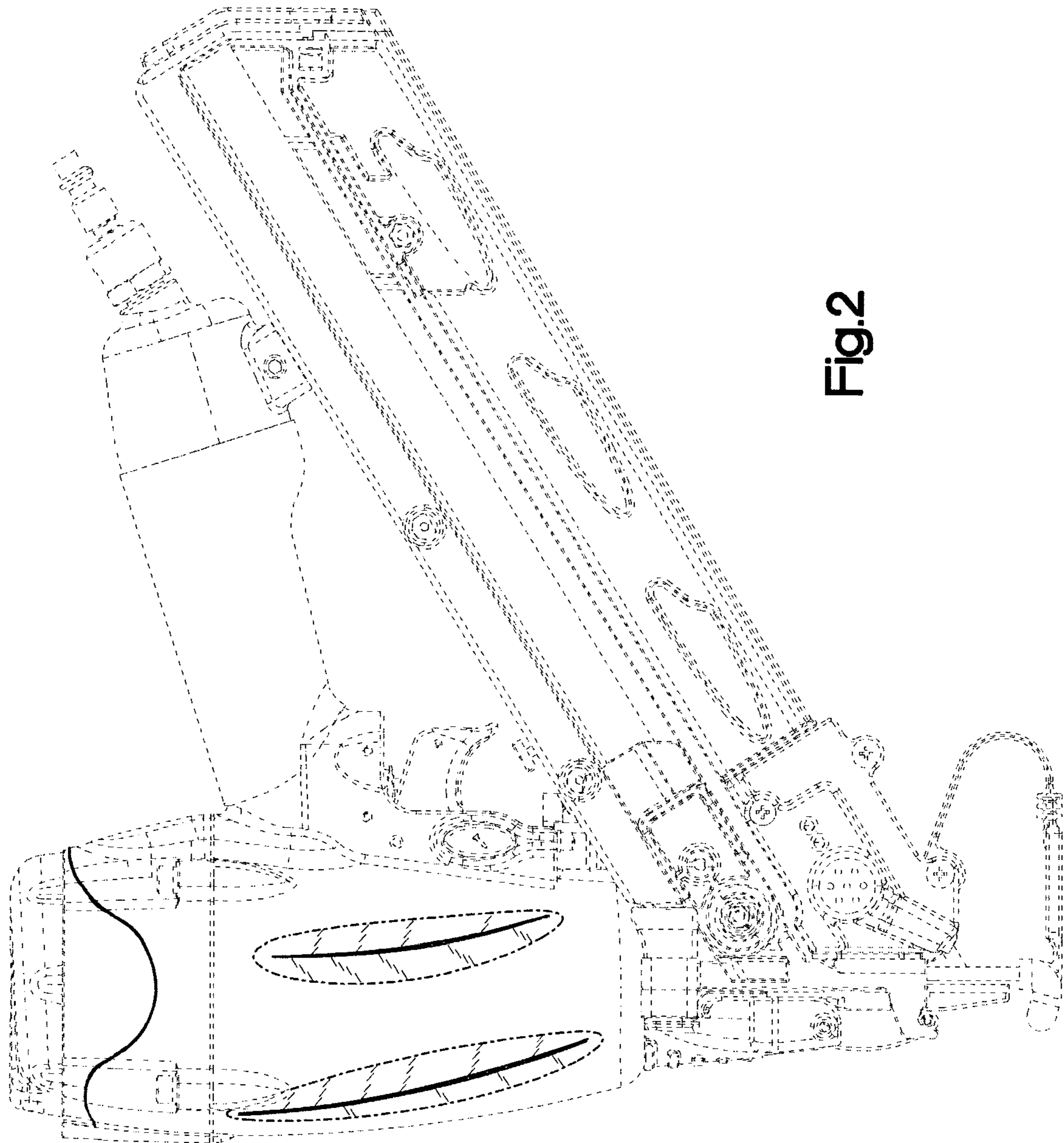


Fig.2

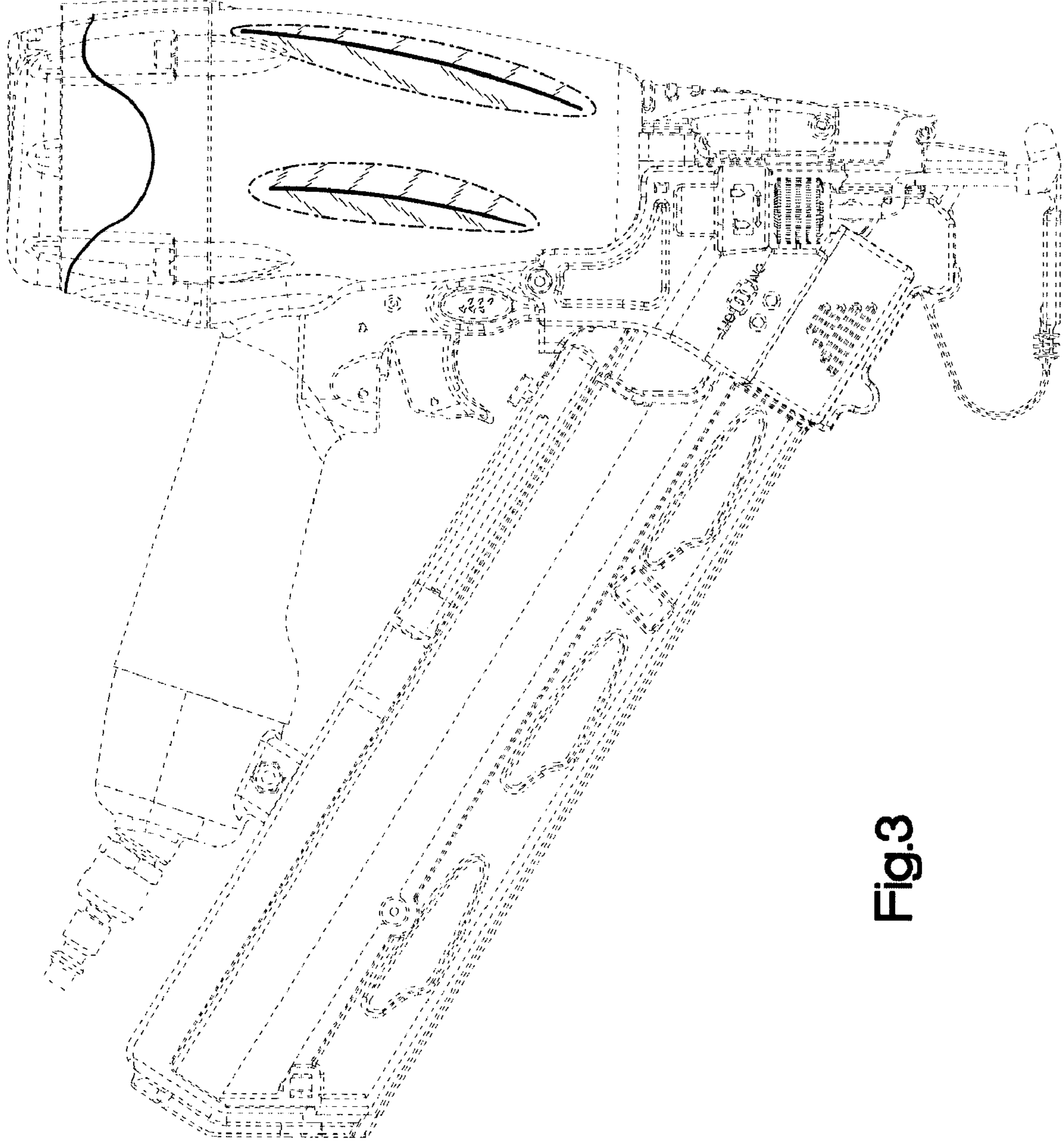


Fig.3

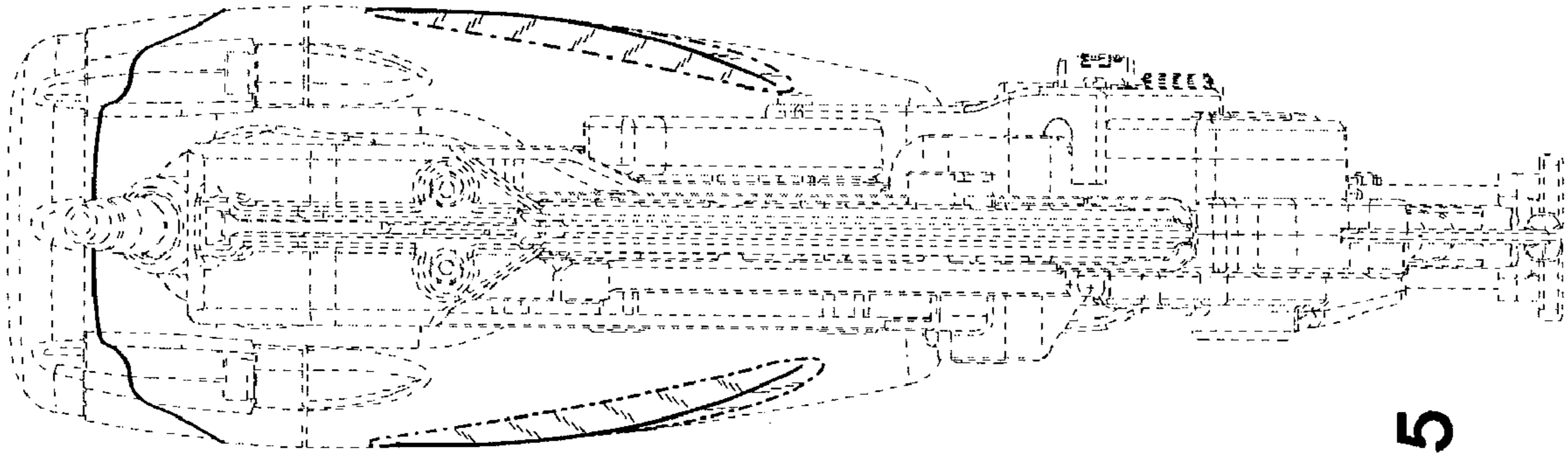


Fig.5

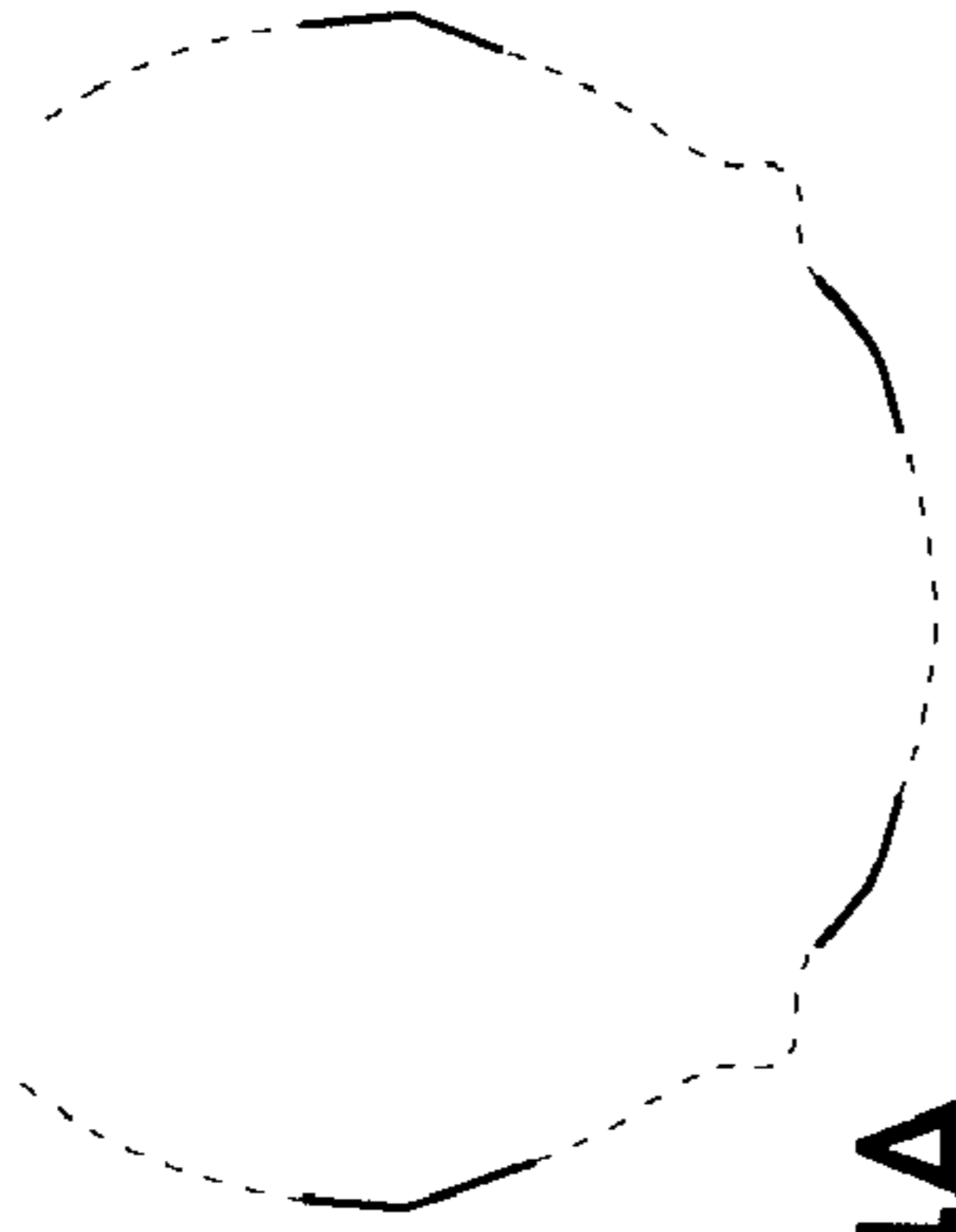


Fig.4A

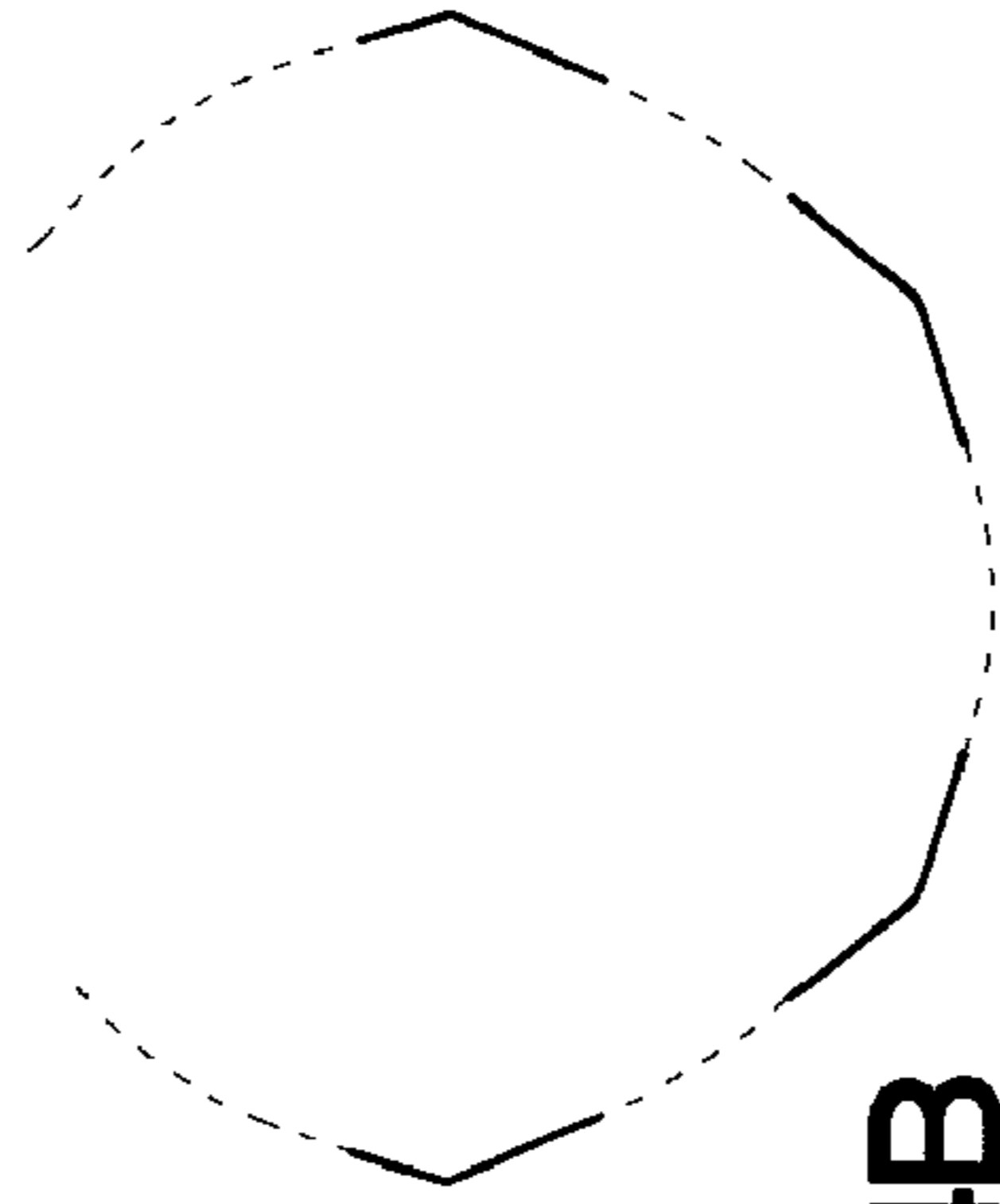


Fig.4B

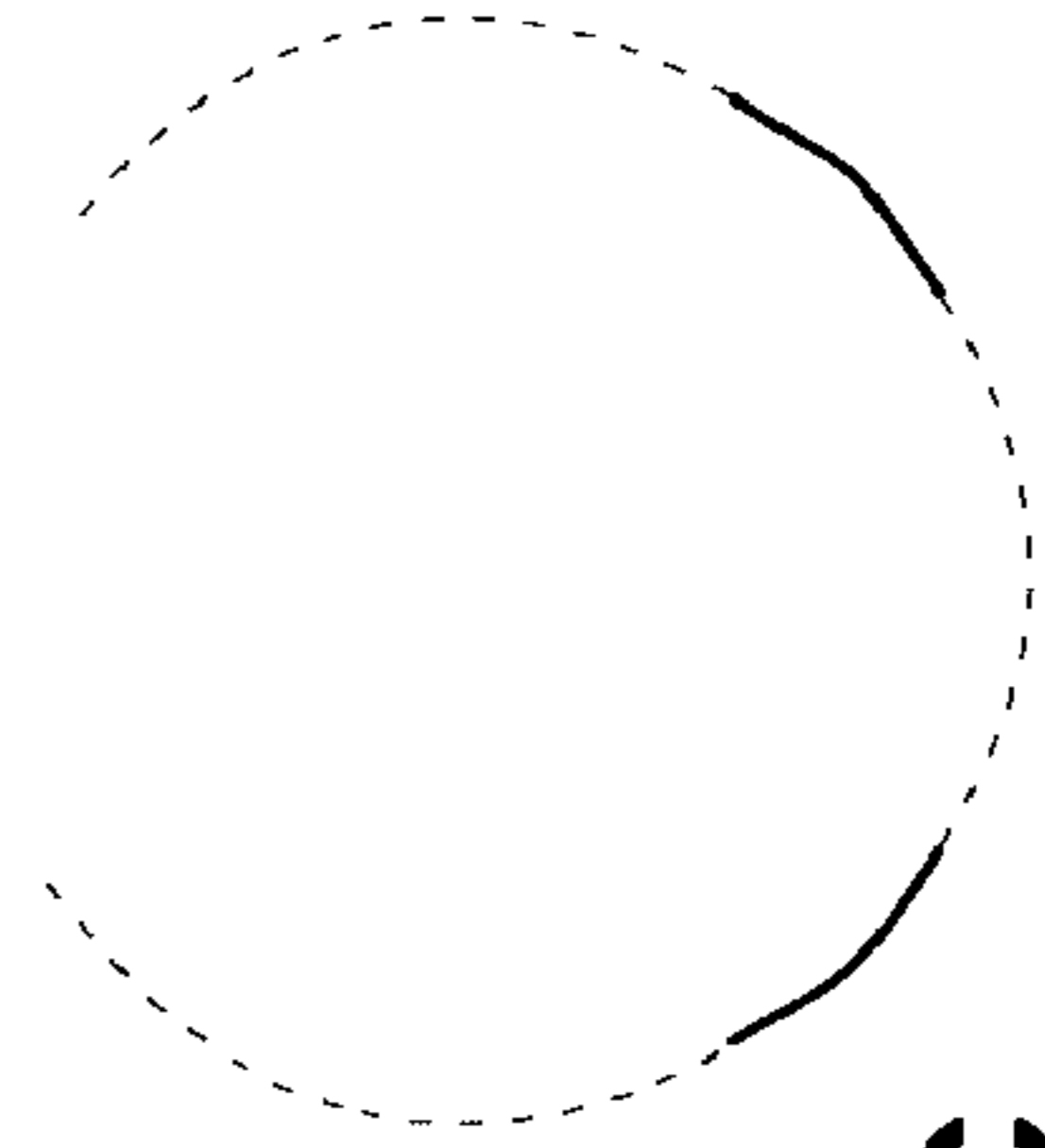


Fig.4C

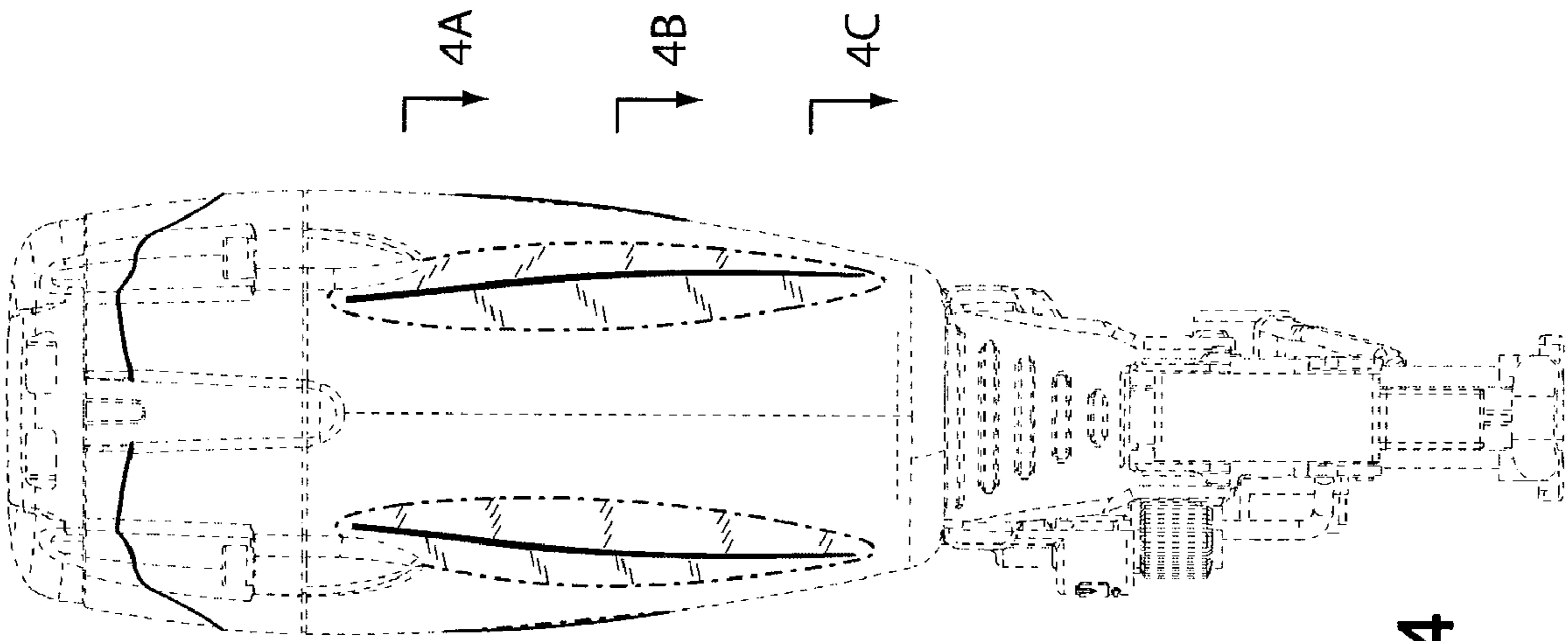


Fig.4

4A 4B 4C

4A 4B 4C

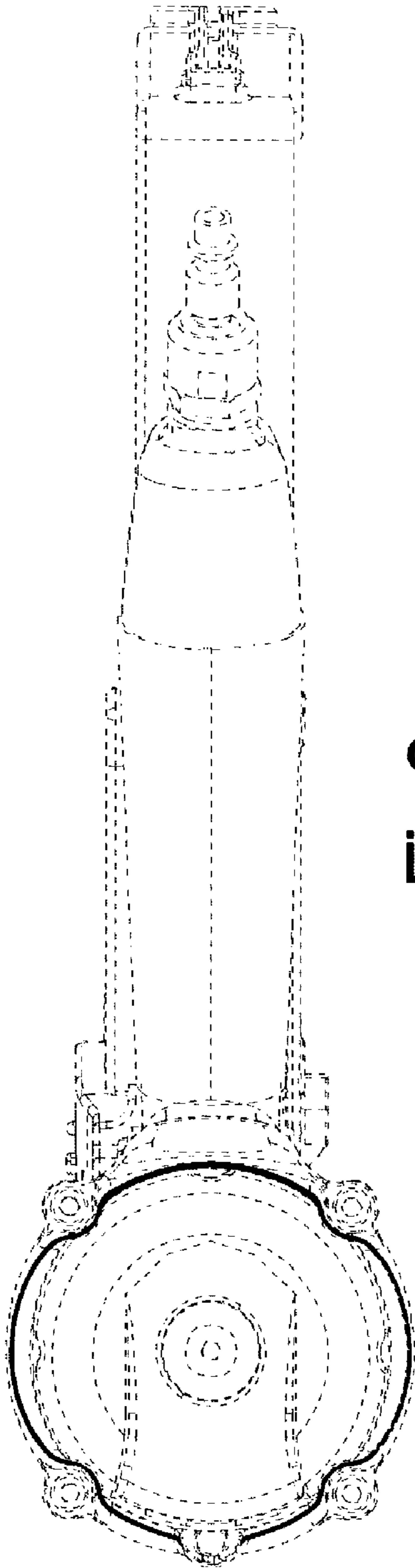


Fig.6

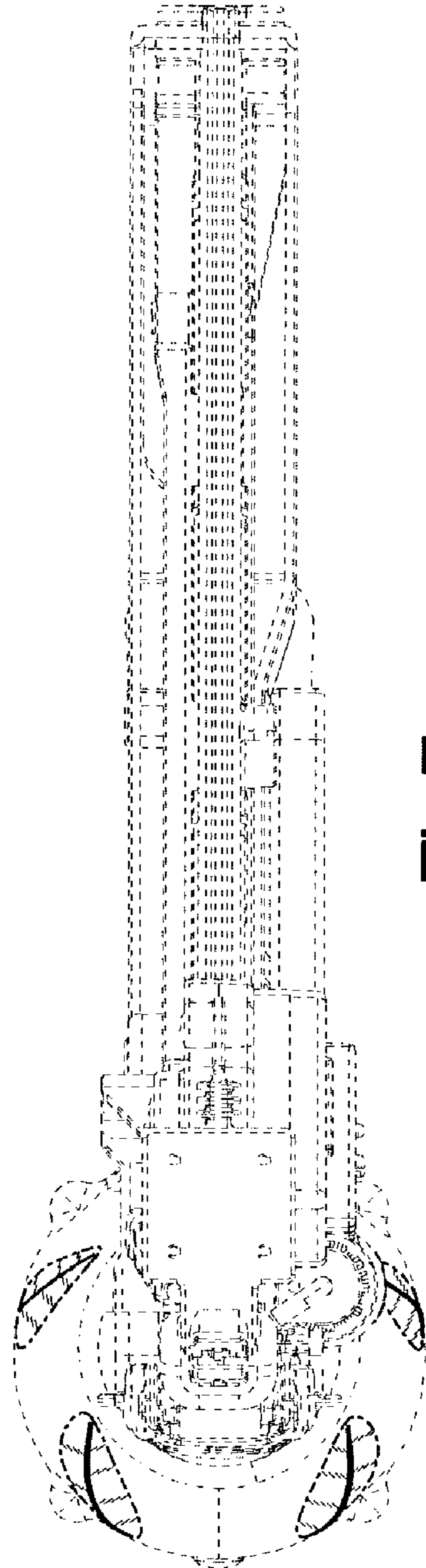


Fig.7

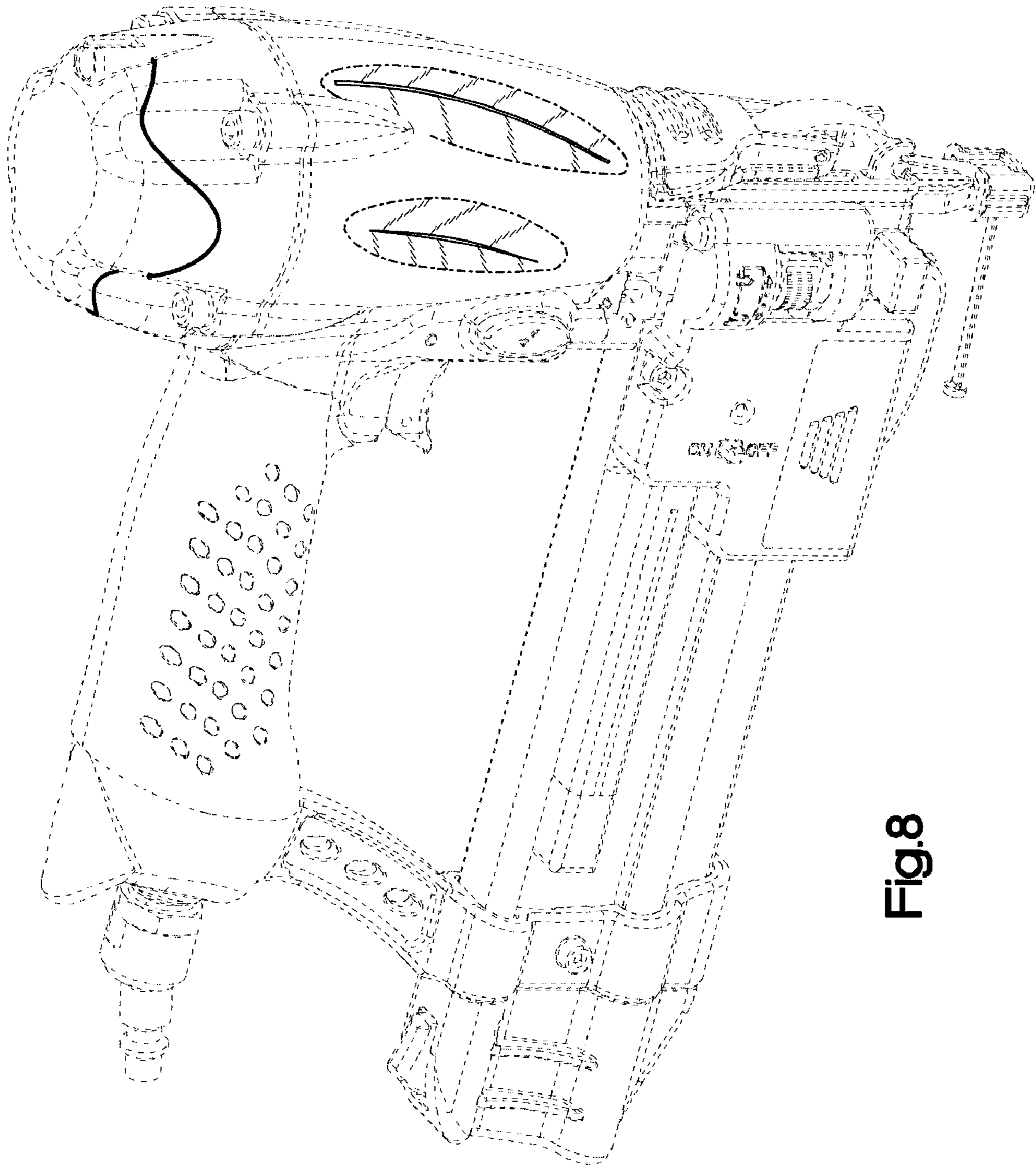


Fig.8

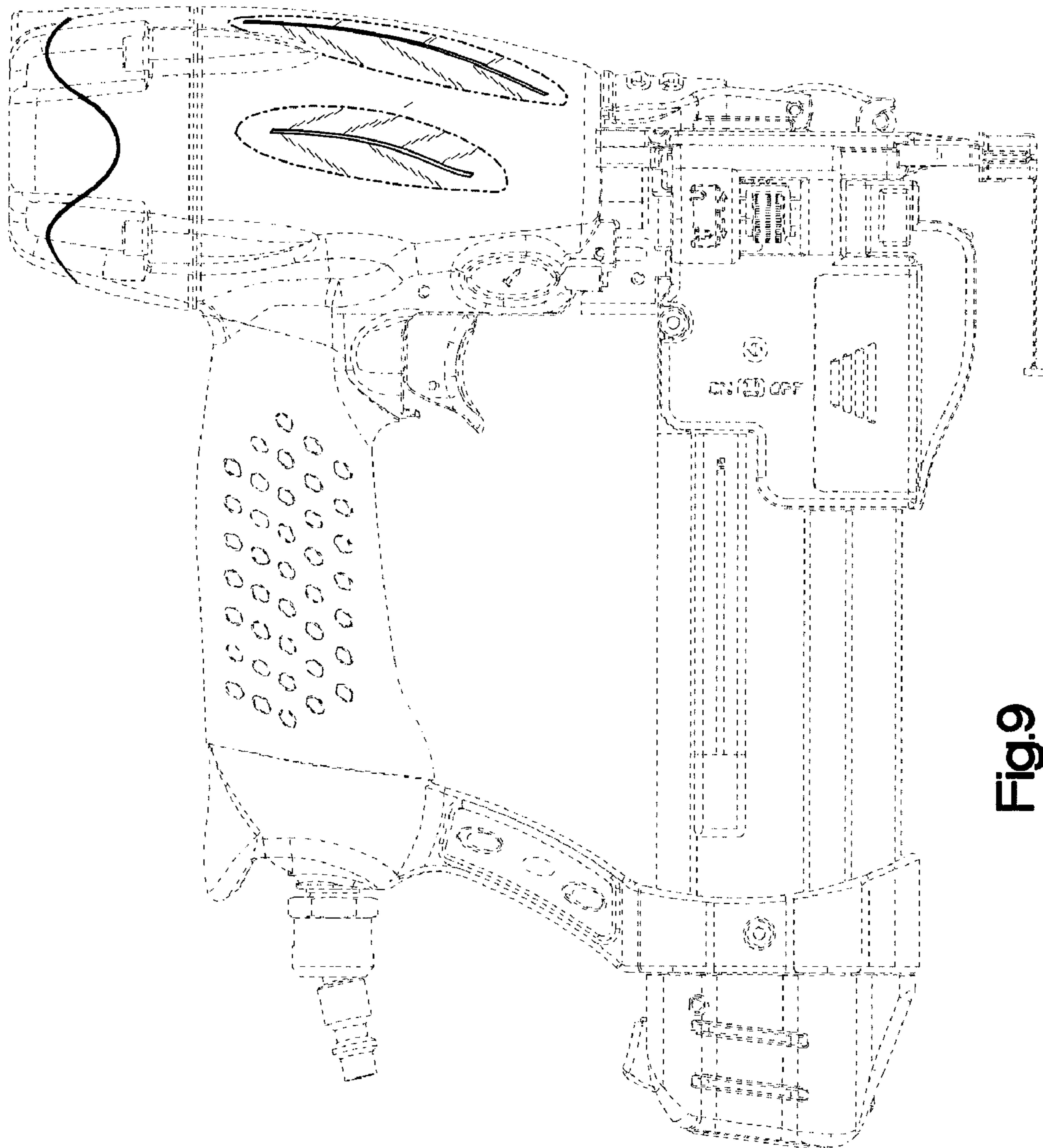


Fig.9

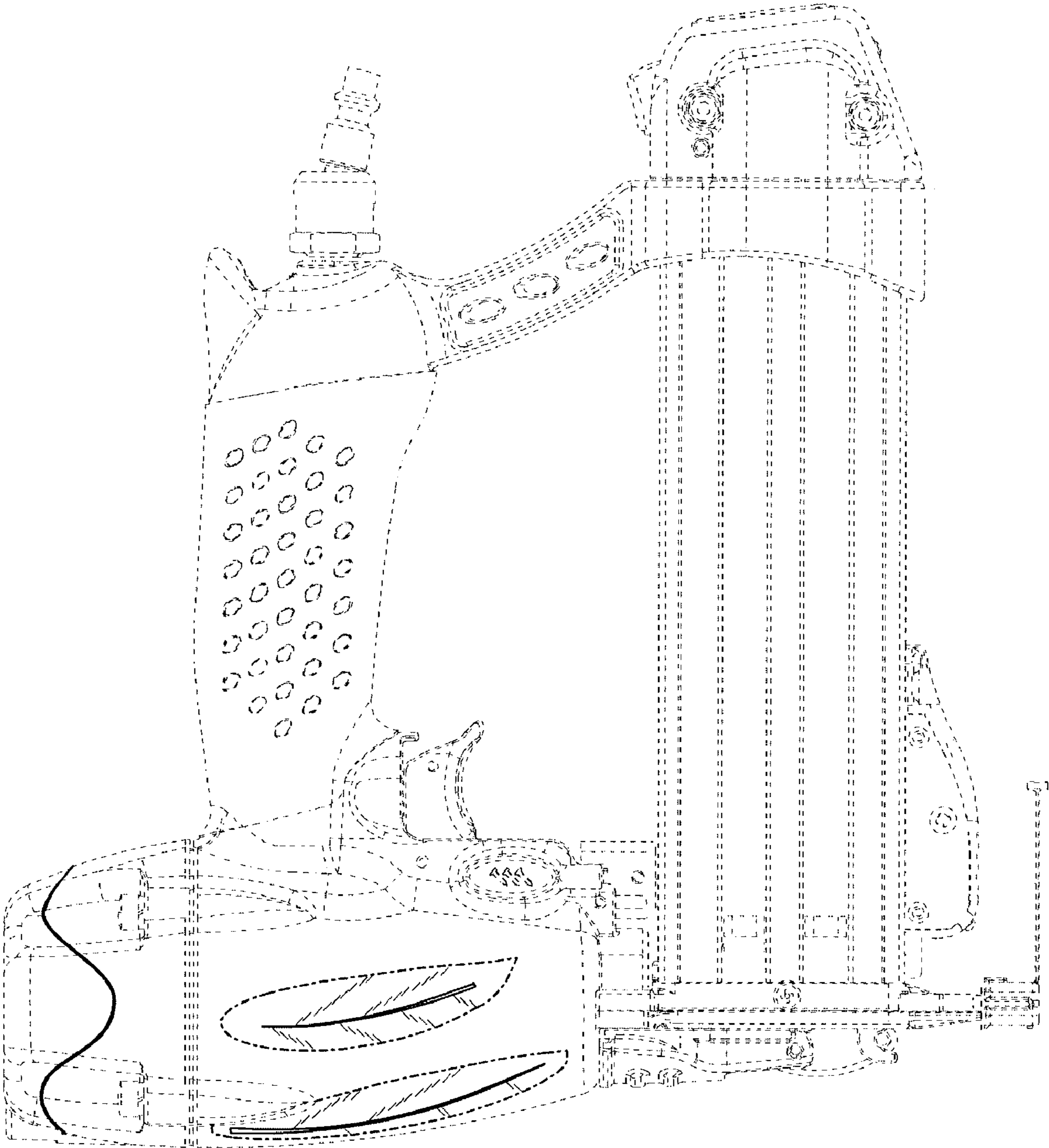


Fig.10

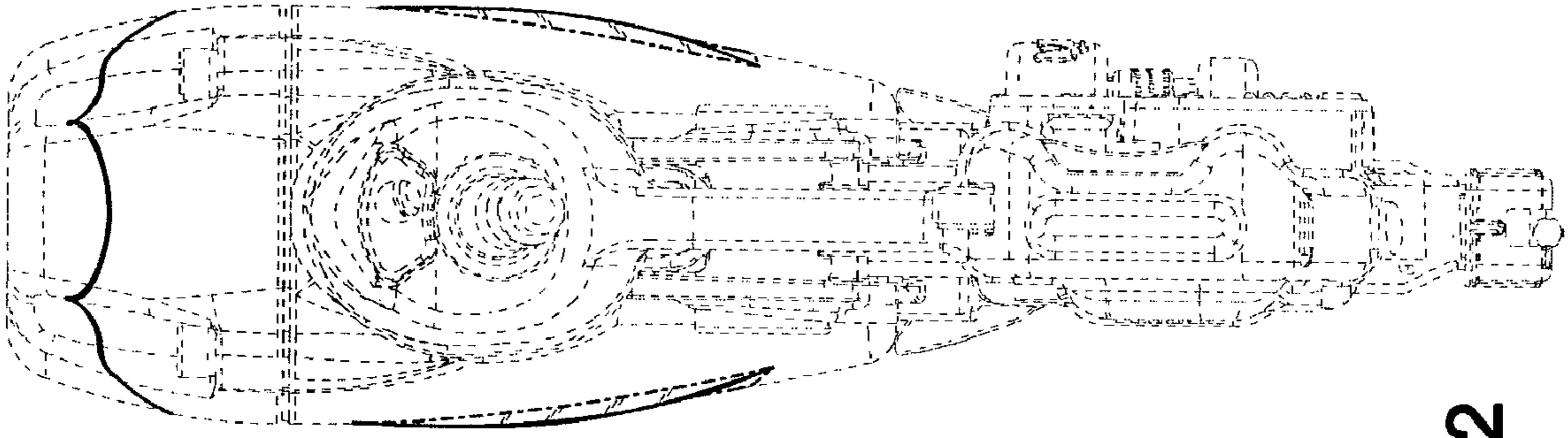


Fig.12

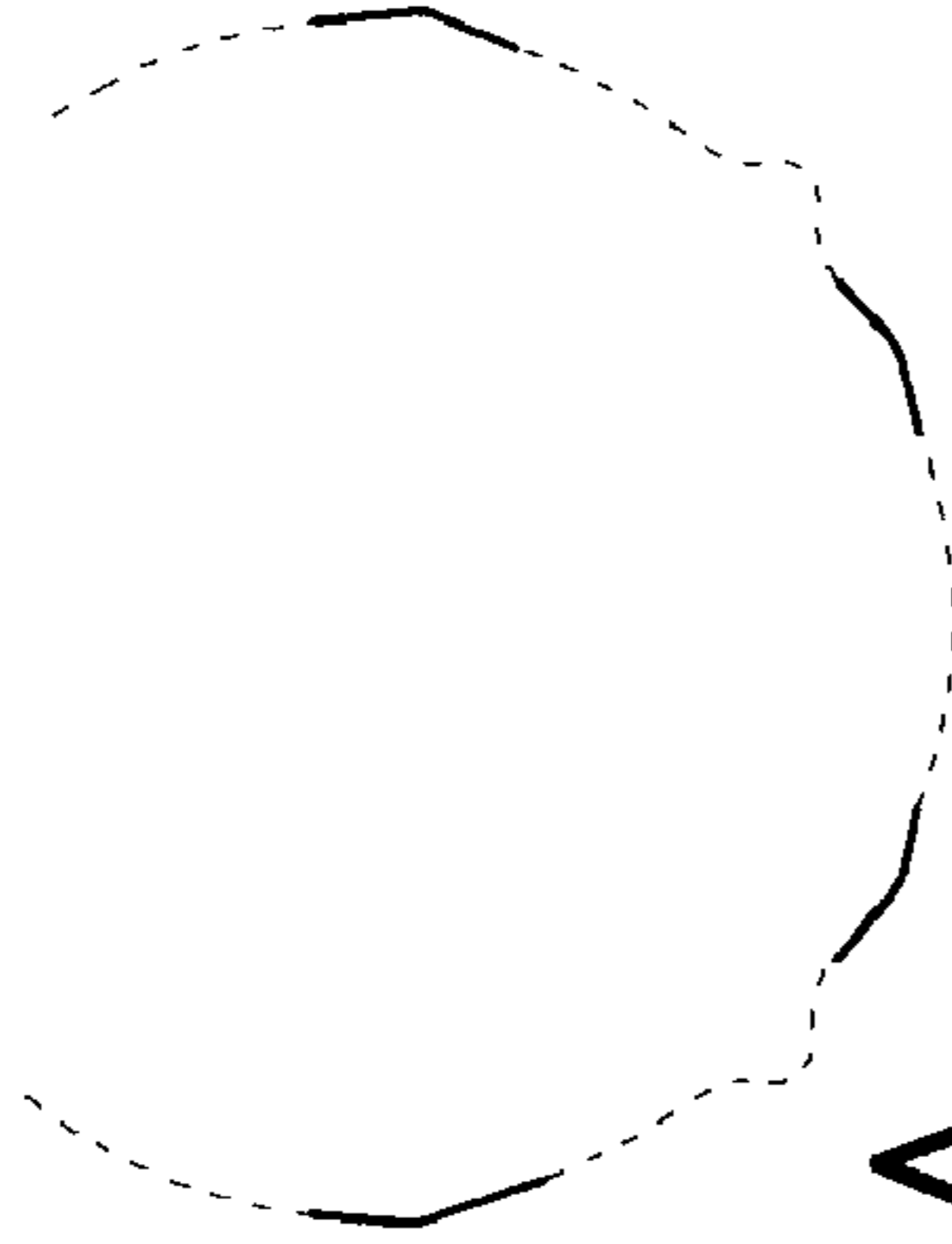


Fig.11A

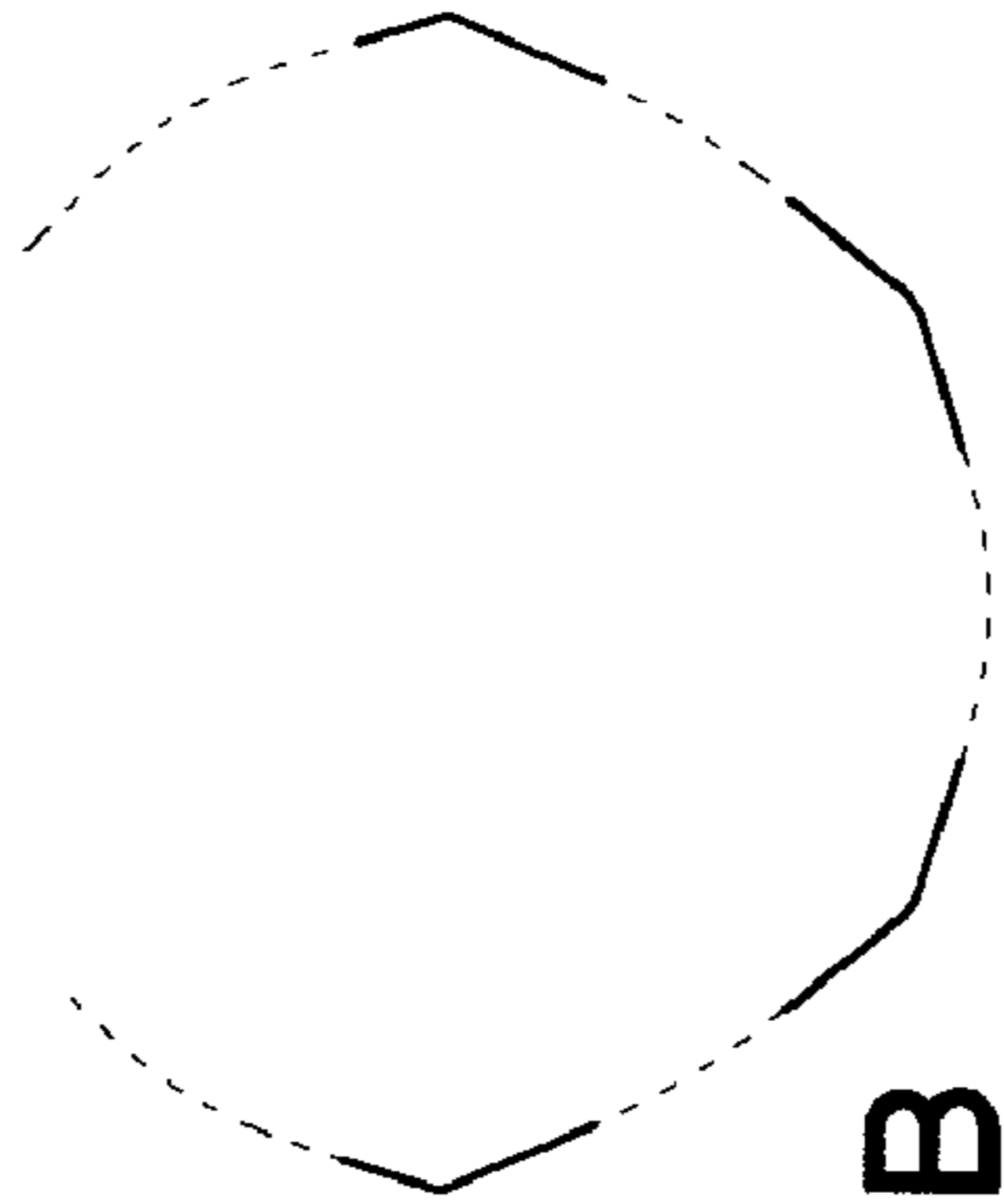


Fig.11B

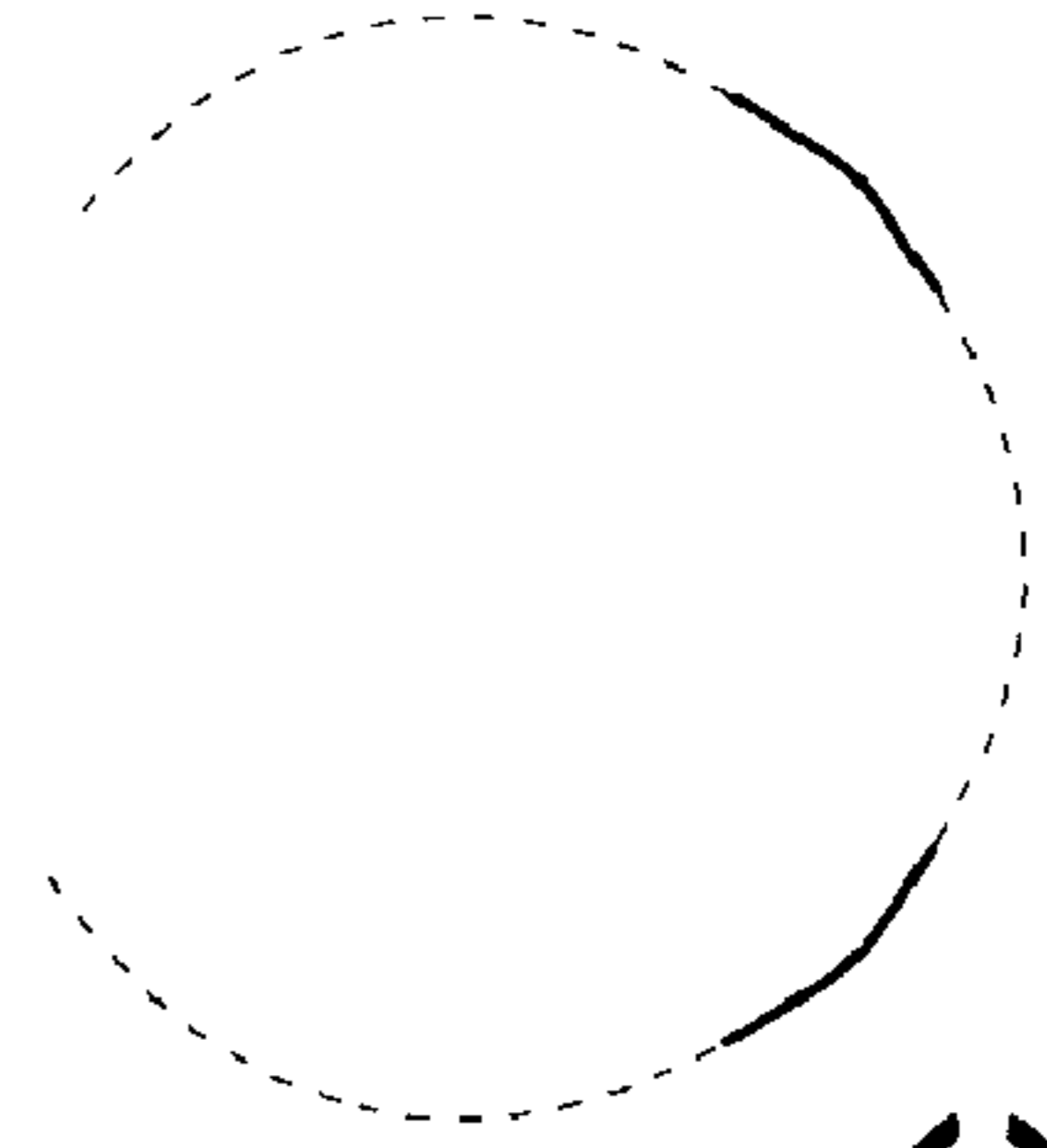


Fig.11C

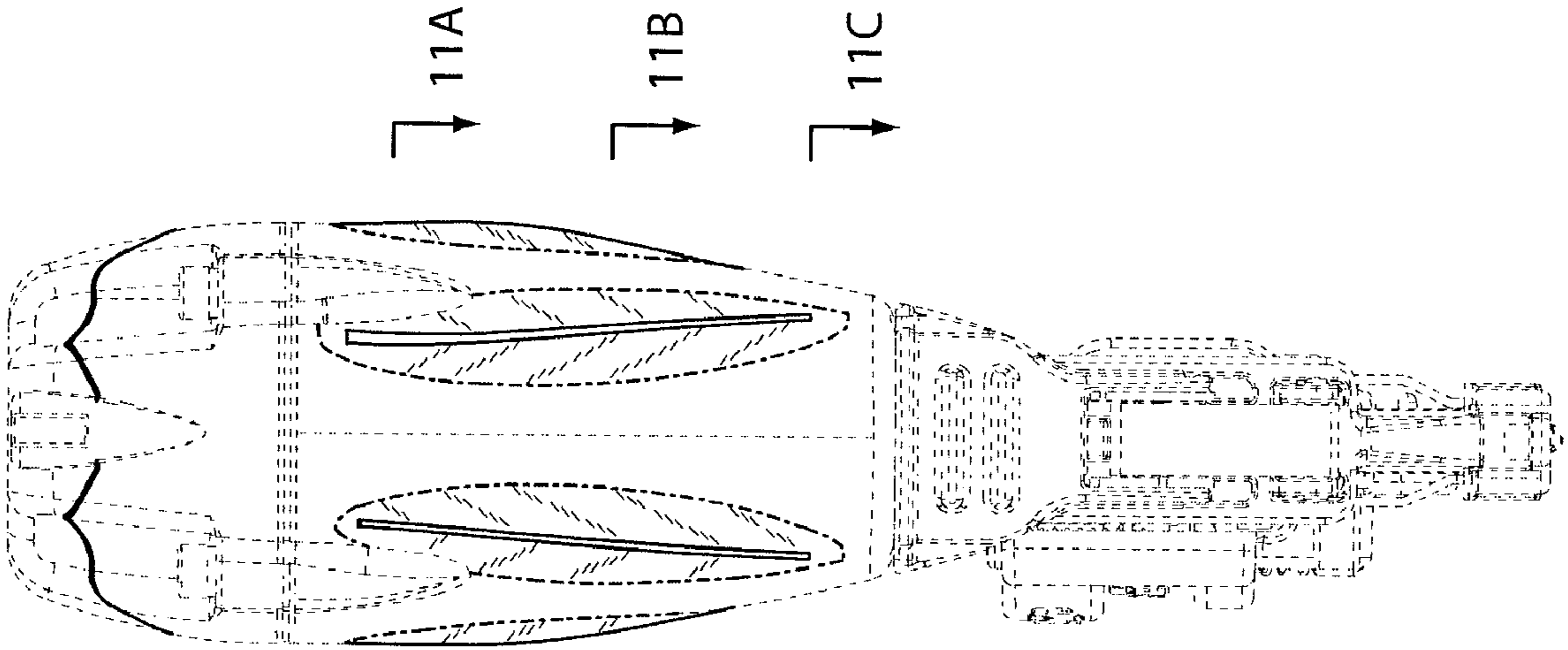


Fig.11

11A

11B

11C

11A

11B

11C

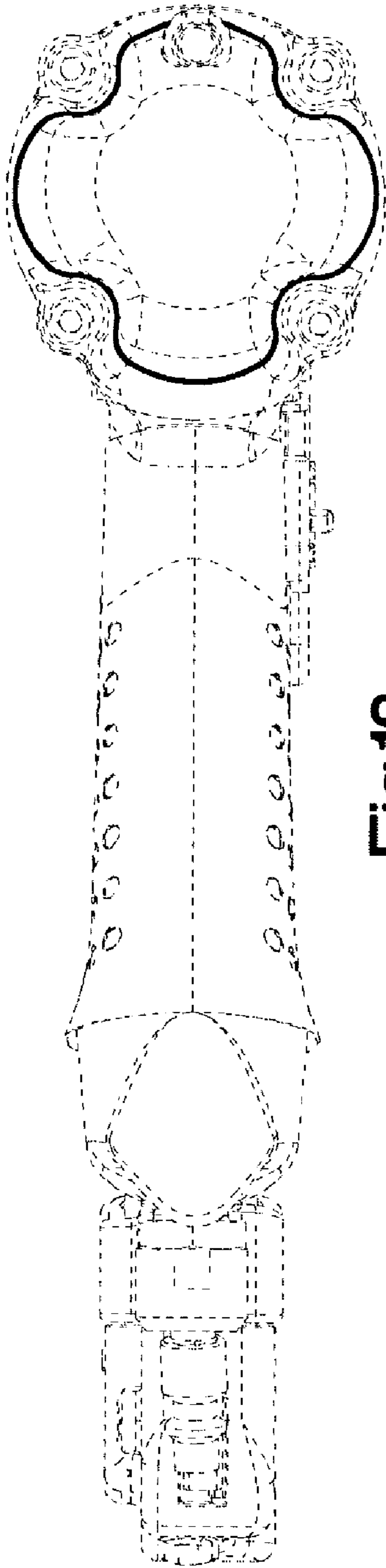


Fig.13

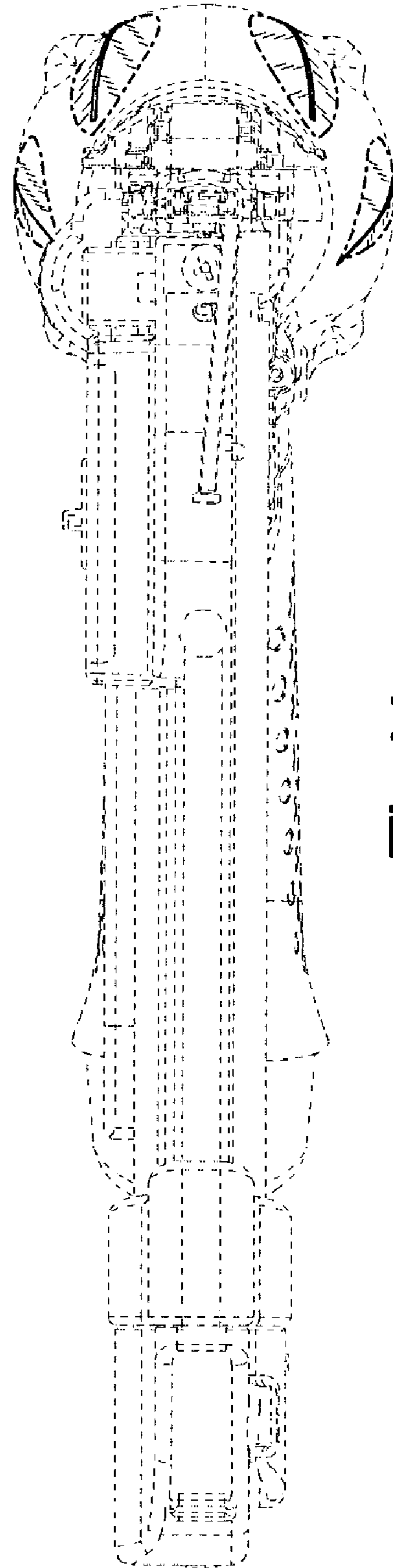


Fig.14

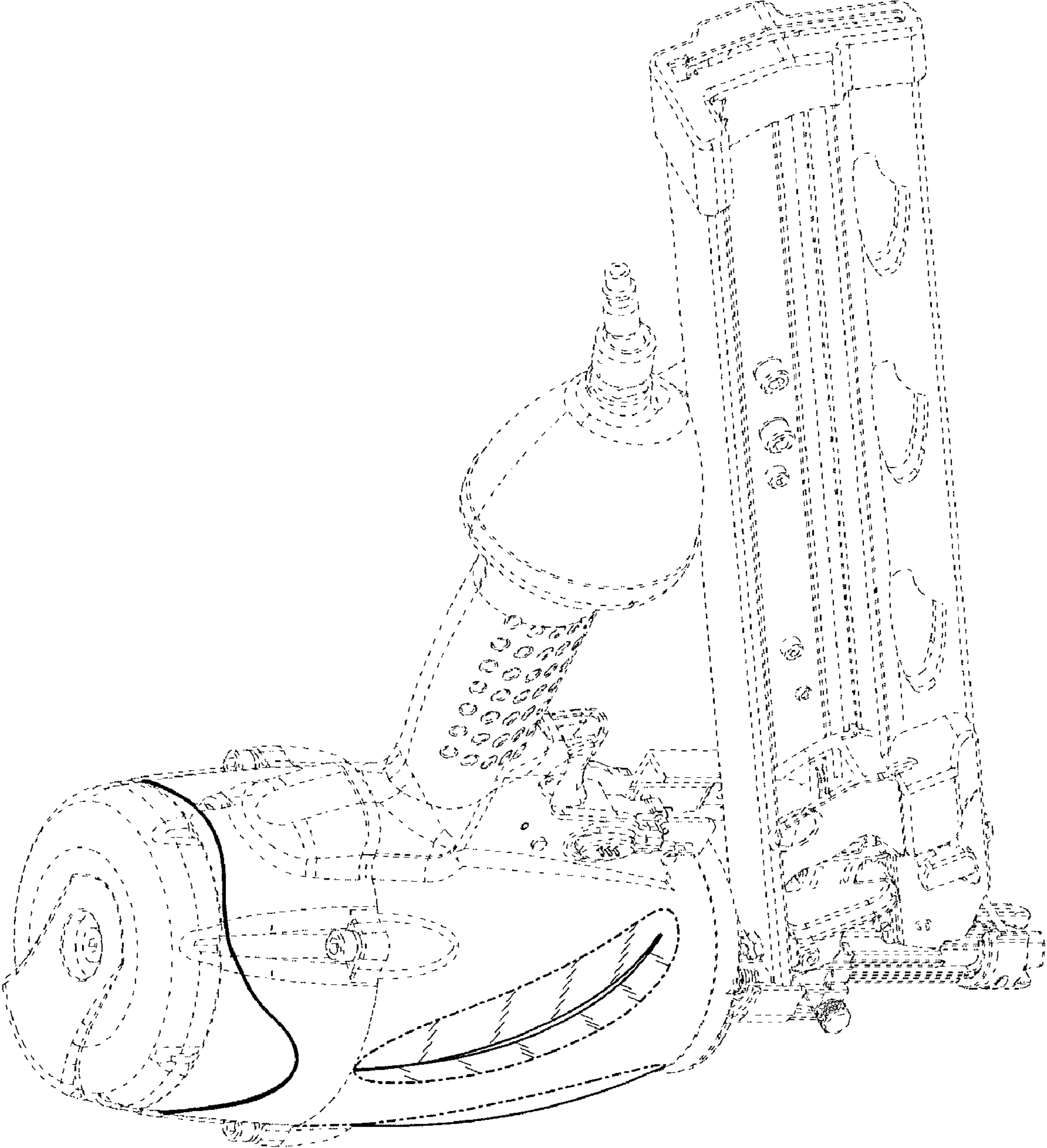


Fig.15

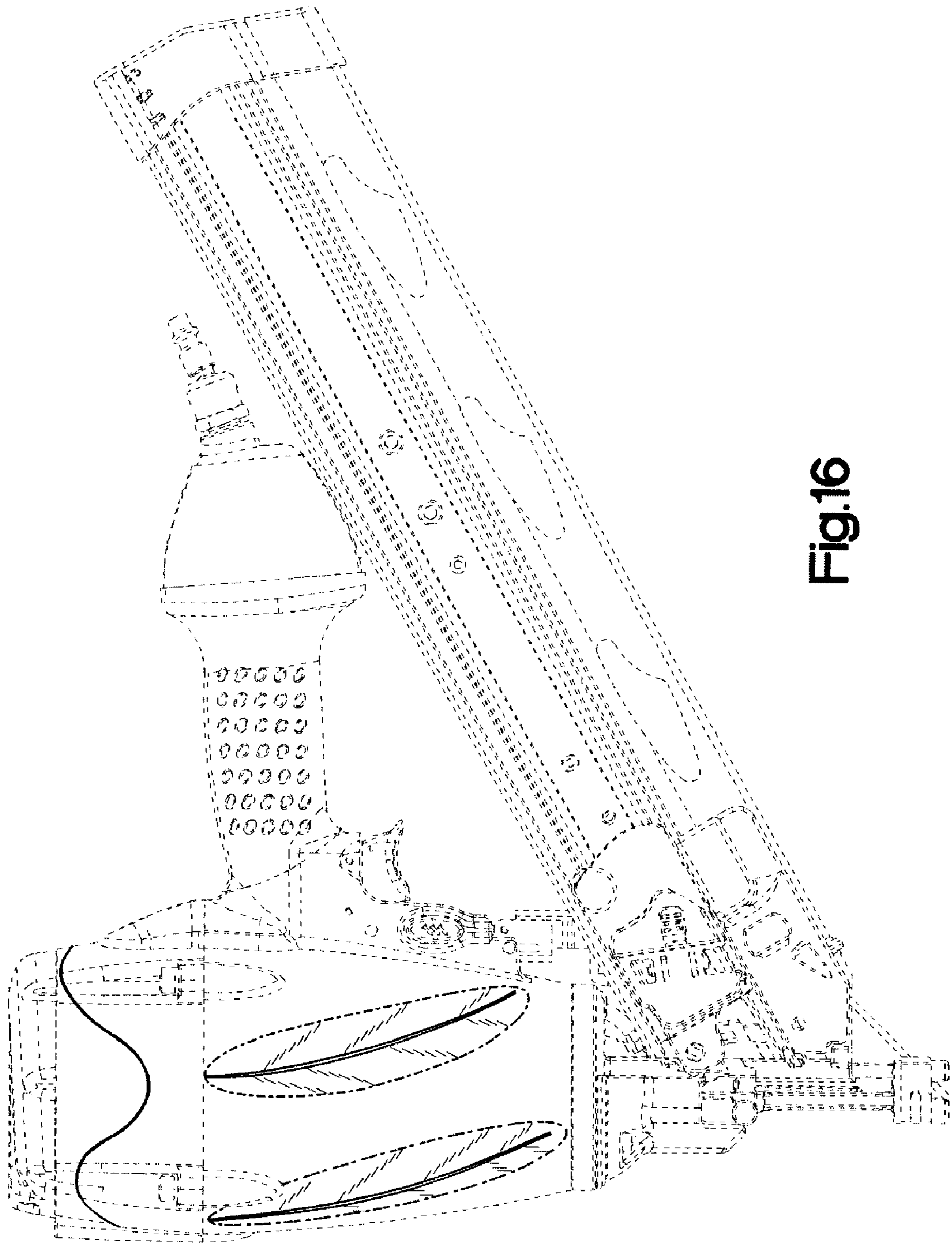


Fig.16

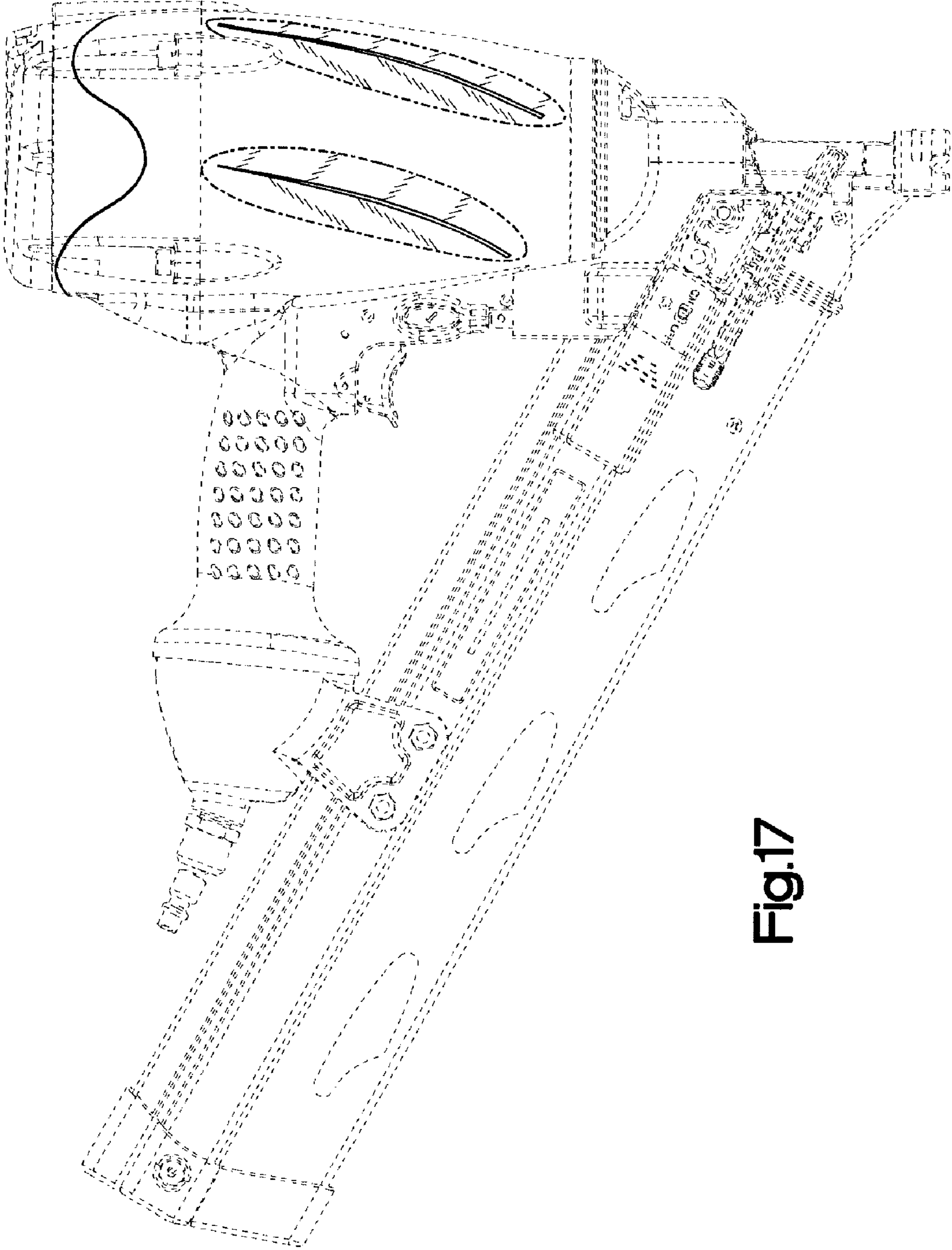


Fig.17

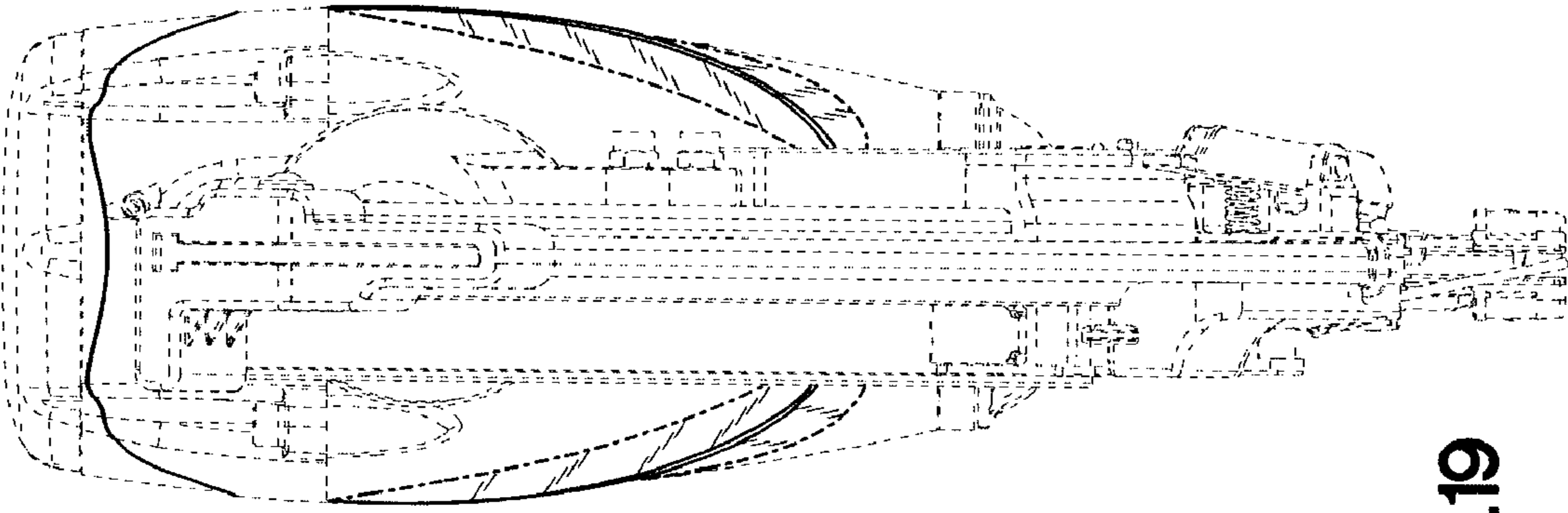


Fig.19

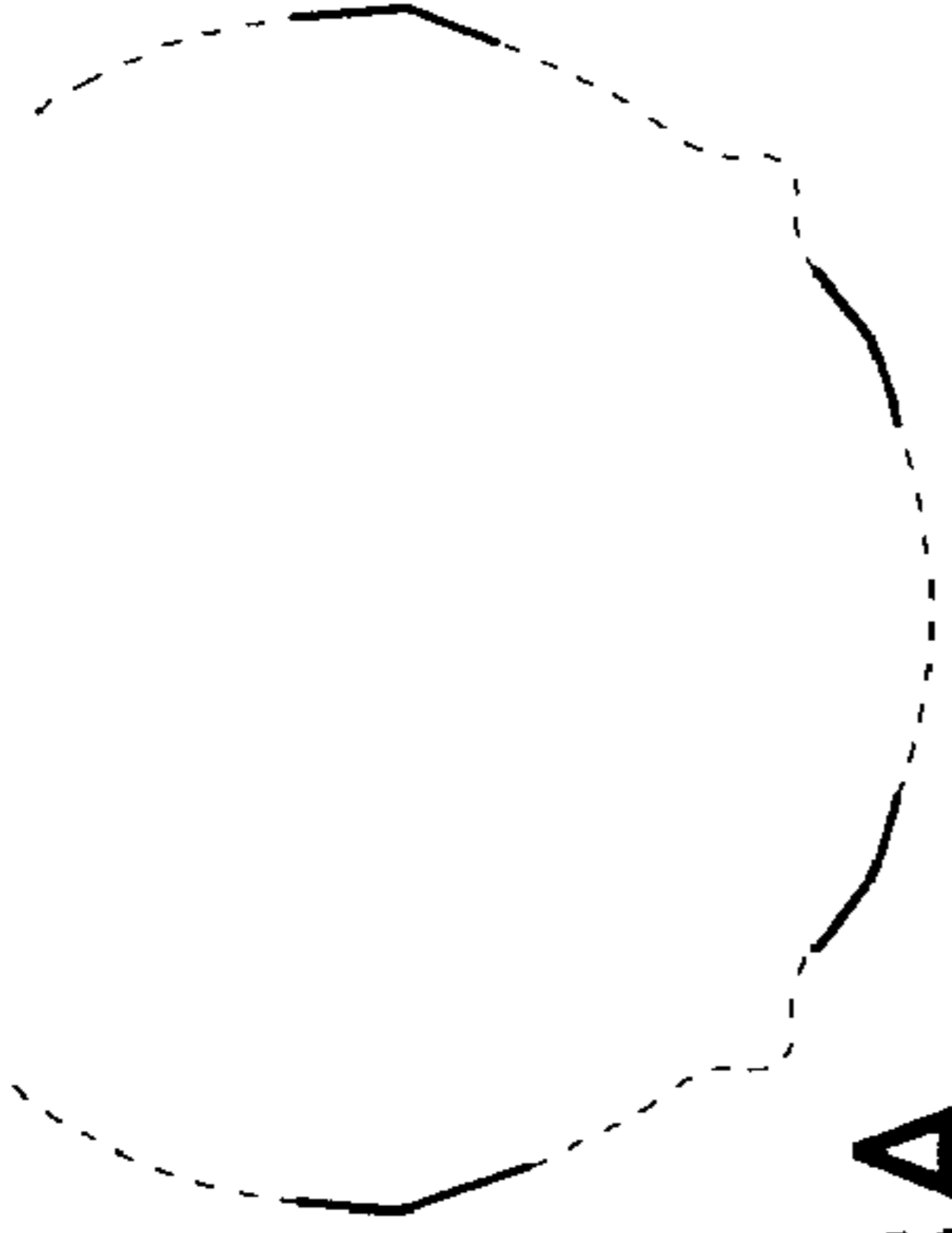


Fig.18A

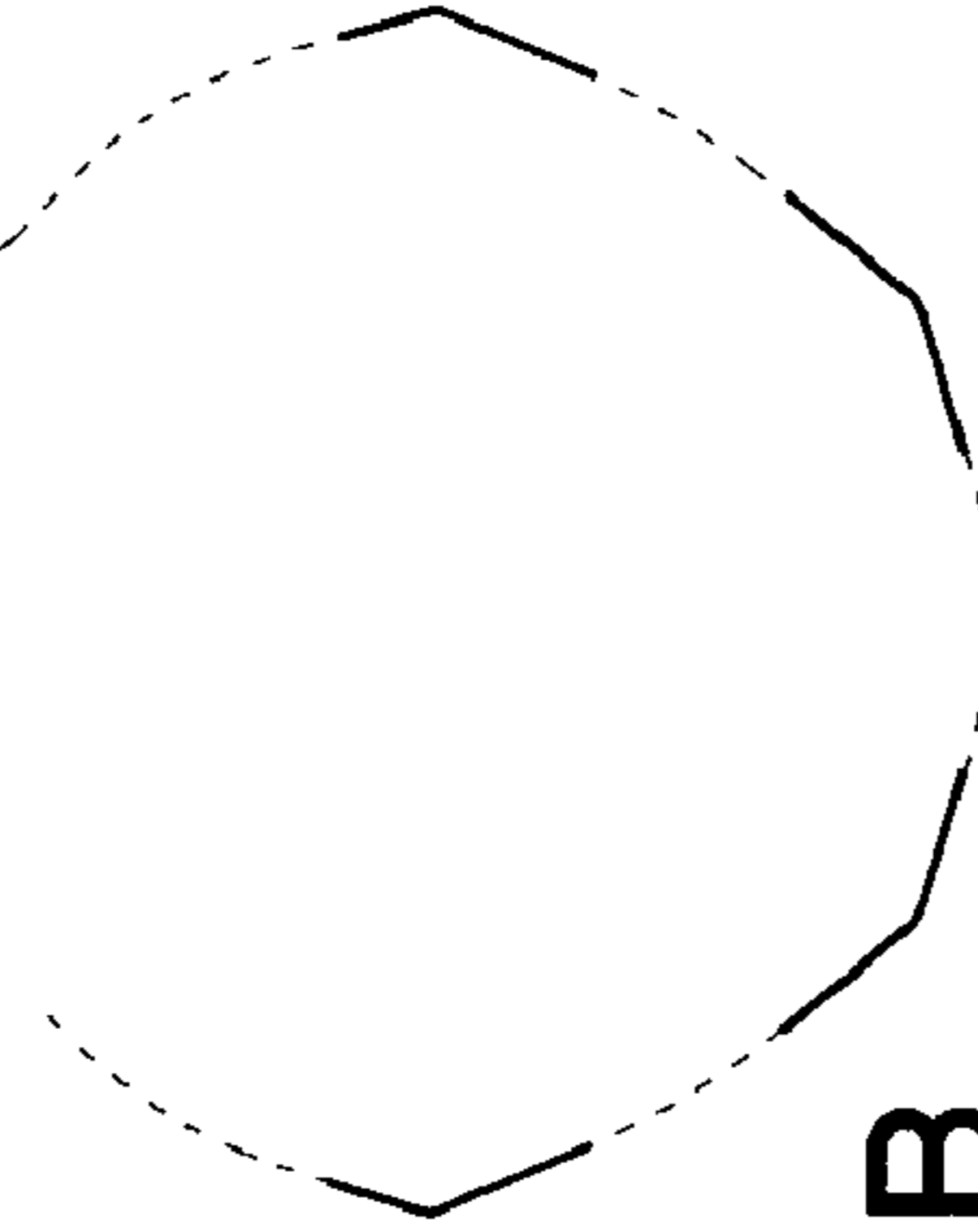


Fig.18B

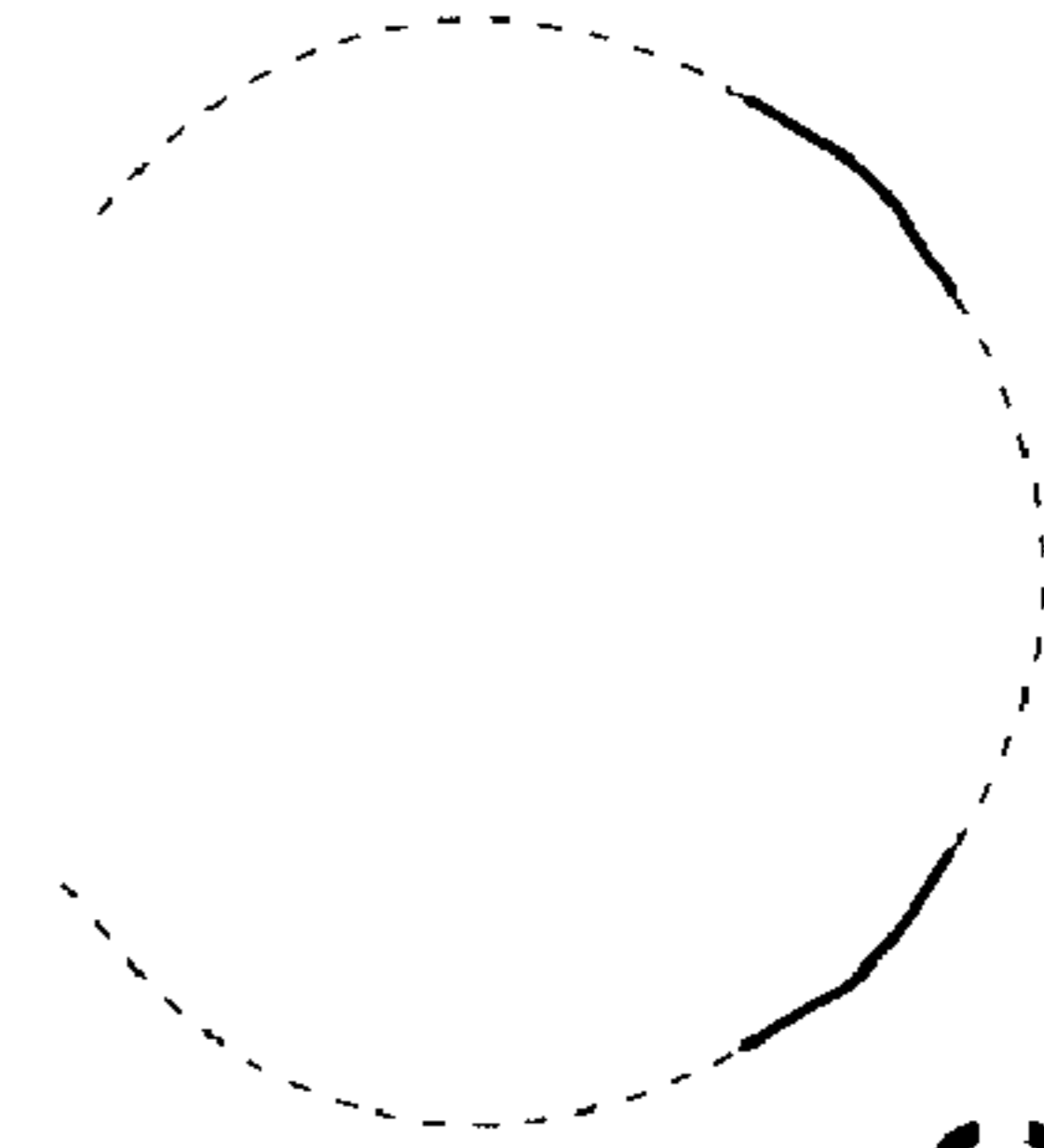


Fig.18C

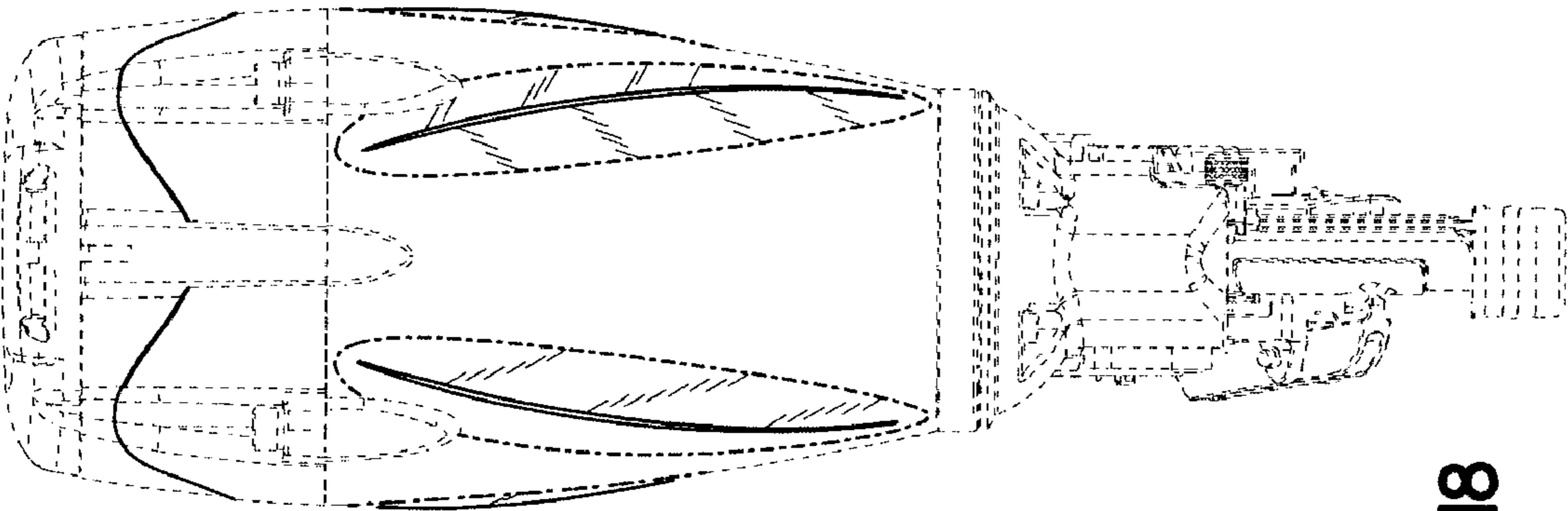


Fig.18

18A

18B

18C

18A

18B

18C

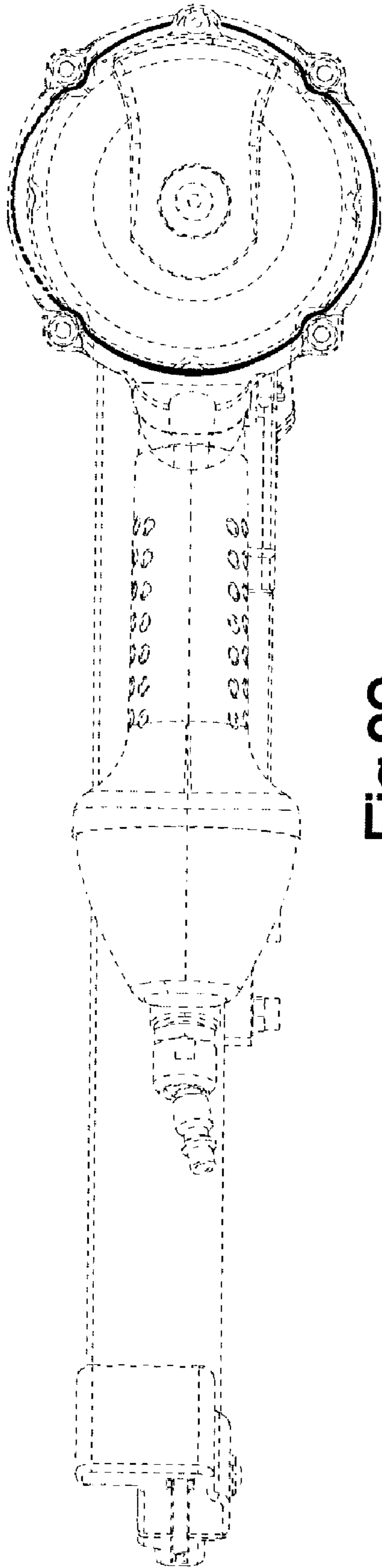


Fig.20

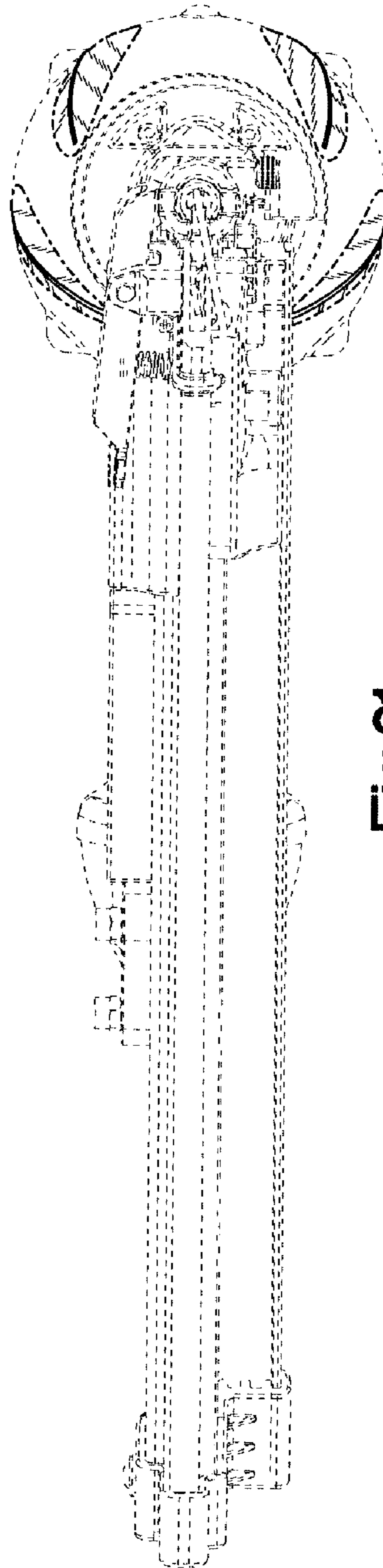


Fig.21