



US00D605918S

(12) **United States Design Patent**
Deglon

(10) **Patent No.:** **US D605,918 S**

(45) **Date of Patent:** **** Dec. 15, 2009**

(54) **SHARPENING MACHINE FOR SHARPENING KNIVES**

(75) Inventor: **Jean Deglon**, Thiers (FR)

(73) Assignee: **ETS Jean Deglon** (FR)

(**) Term: **14 Years**

(21) Appl. No.: **29/320,199**

(22) Filed: **Jun. 23, 2008**

(30) **Foreign Application Priority Data**

Dec. 21, 2007 (FR) 000 851 647

(51) **LOC (9) Cl.** **08-85**

(52) **U.S. Cl.** **D8/63**

(58) **Field of Classification Search** D8/63,
D8/91, 93; 451/163, 193, 241, 259, 267,
451/282, 293; 76/82

See application file for complete search history.

(56) **References Cited**

U.S. PATENT DOCUMENTS

D310,620	S	*	9/1990	Friel	D8/93
D328,410	S	*	8/1992	Friel	D8/63
5,611,726	A	*	3/1997	Friel et al.	451/177
D409,891	S	*	5/1999	Friel et al.	D8/93
6,113,476	A	*	9/2000	Friel et al.	451/177
D491,783	S	*	6/2004	Ikegaki et al.	D8/63
6,802,763	B1	*	10/2004	Leung	451/267
6,932,683	B2	*	8/2005	Li	451/193

D542,616	S	*	5/2007	Elek et al.	D8/63
D543,430	S	*	5/2007	Barr et al.	D8/63
7,235,004	B2	*	6/2007	Friel et al.	451/198
D567,611	S	*	4/2008	Elek et al.	D8/63
D575,124	S	*	8/2008	Smith	D8/63
2003/0077990	A1	*	4/2003	Li	451/293
2003/0236061	A1	*	12/2003	Li	451/193
2004/0077296	A1	*	4/2004	Friel et al.	451/259

* cited by examiner

Primary Examiner—Cathron C Brooks

Assistant Examiner—Austin Murphy

(74) *Attorney, Agent, or Firm*—Cantor Colburn LLP

(57) **CLAIM**

The ornamental design for a sharpening machine for sharpening knives, as shown and described.

DESCRIPTION

FIG. 1 is a top plan view of the sharpening machine for sharpening knives showing my new design;

FIG. 2 is a front elevation view thereof;

FIG. 3 is a rear elevation view thereof;

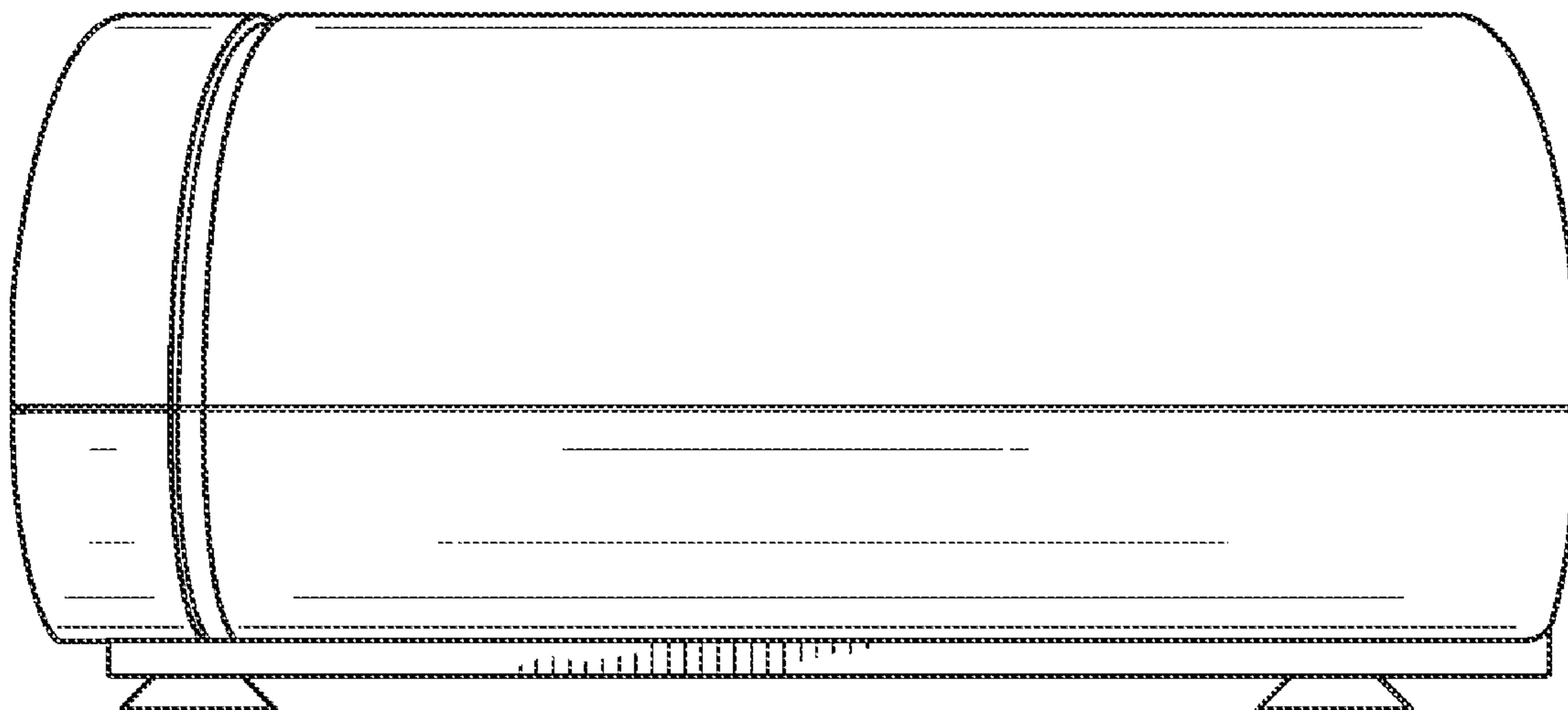
FIG. 4 is a first side elevation view thereof;

FIG. 5 is a second side elevation view thereof; and,

FIGS. 6–7 are perspective views thereof.

The broken lines shown in the drawings represent unclaimed portions of the sharpening machine and form no part of the claimed design.

1 Claim, 7 Drawing Sheets



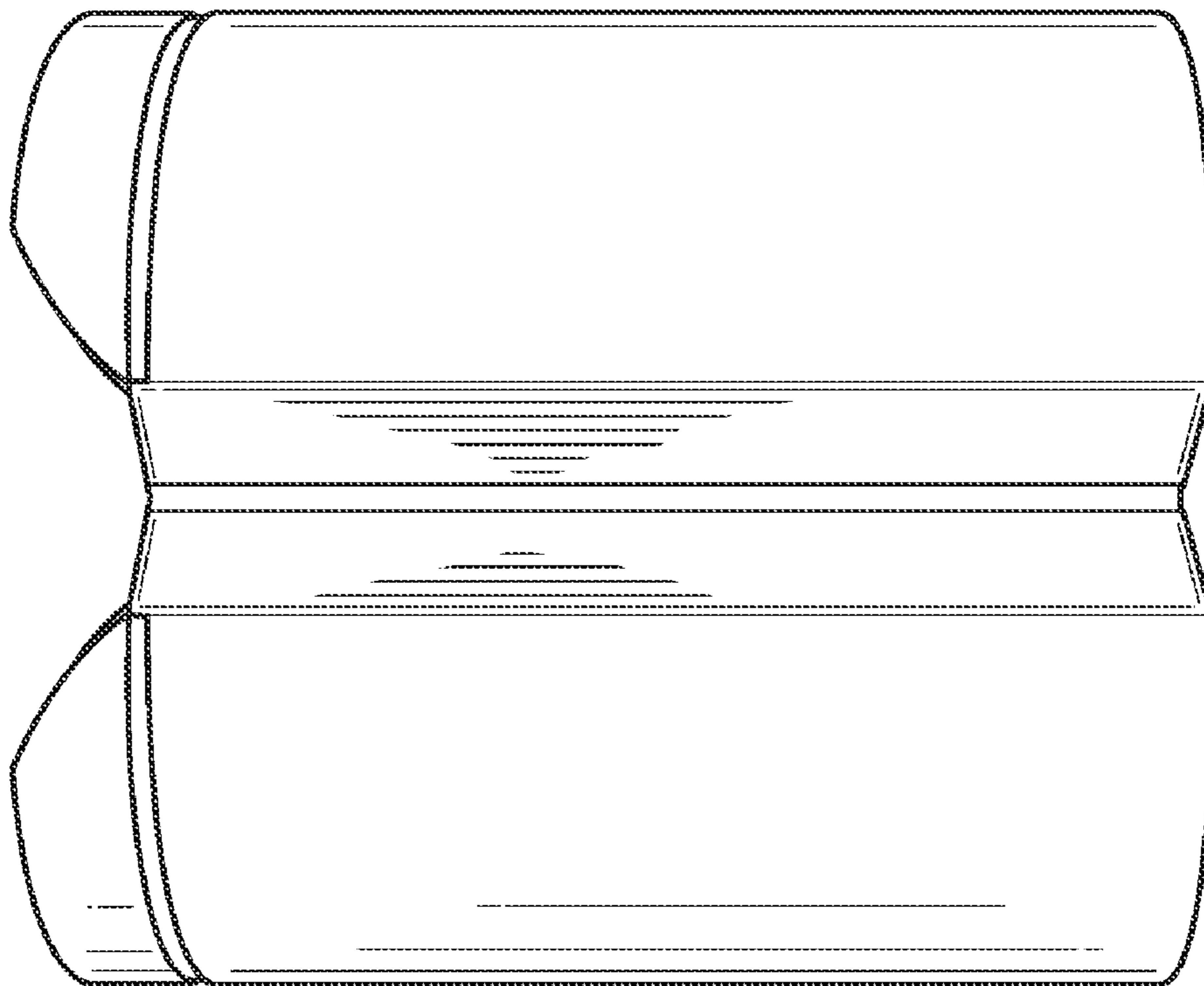


FIG. 1

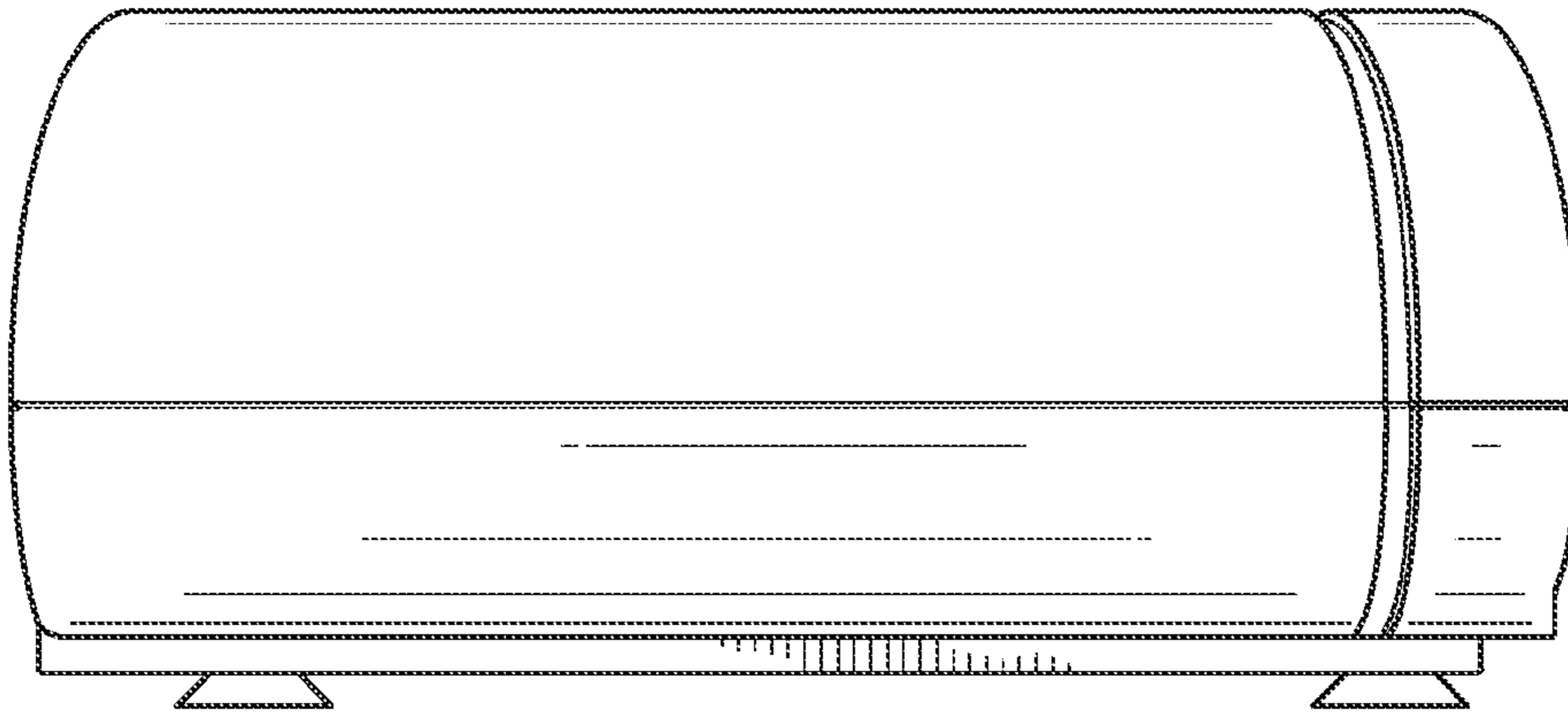


FIG. 2

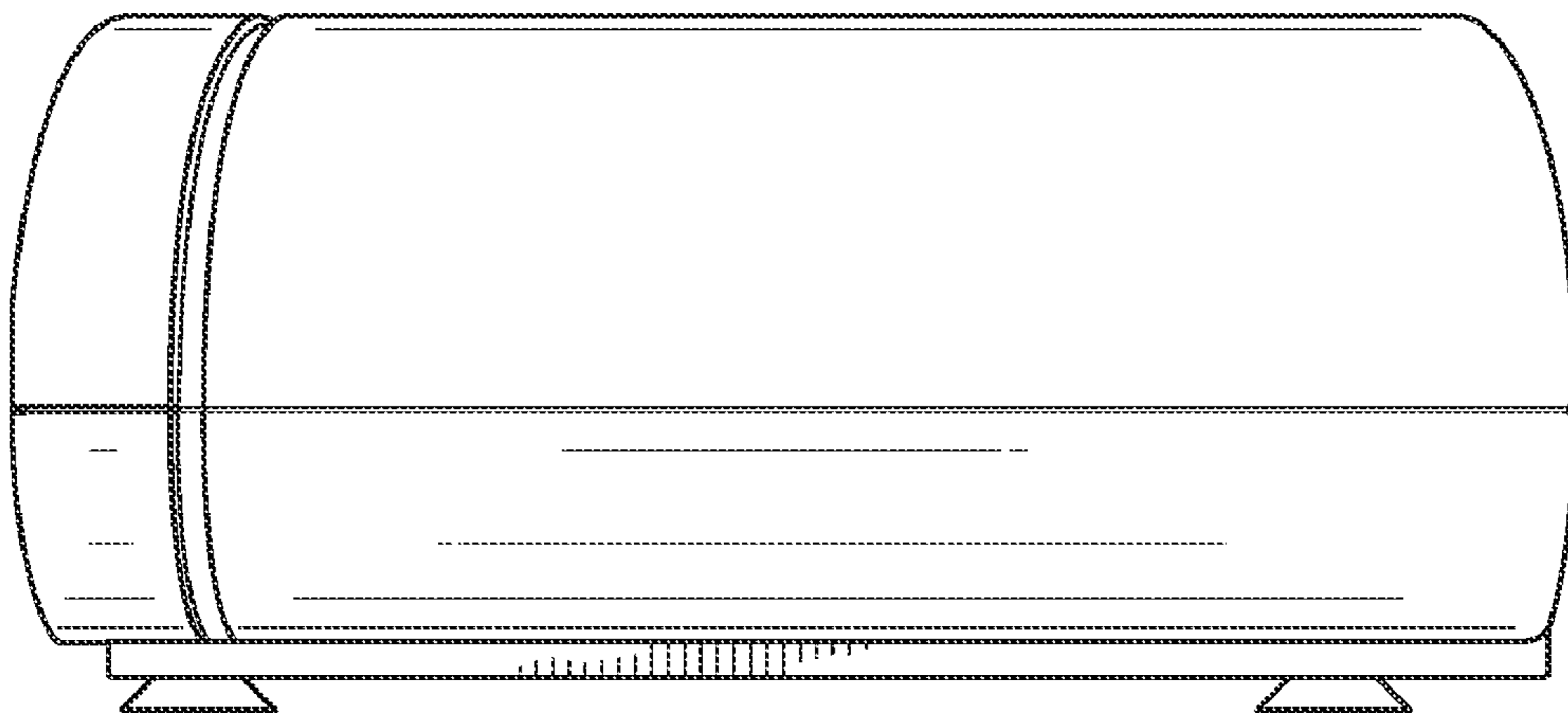


FIG. 3

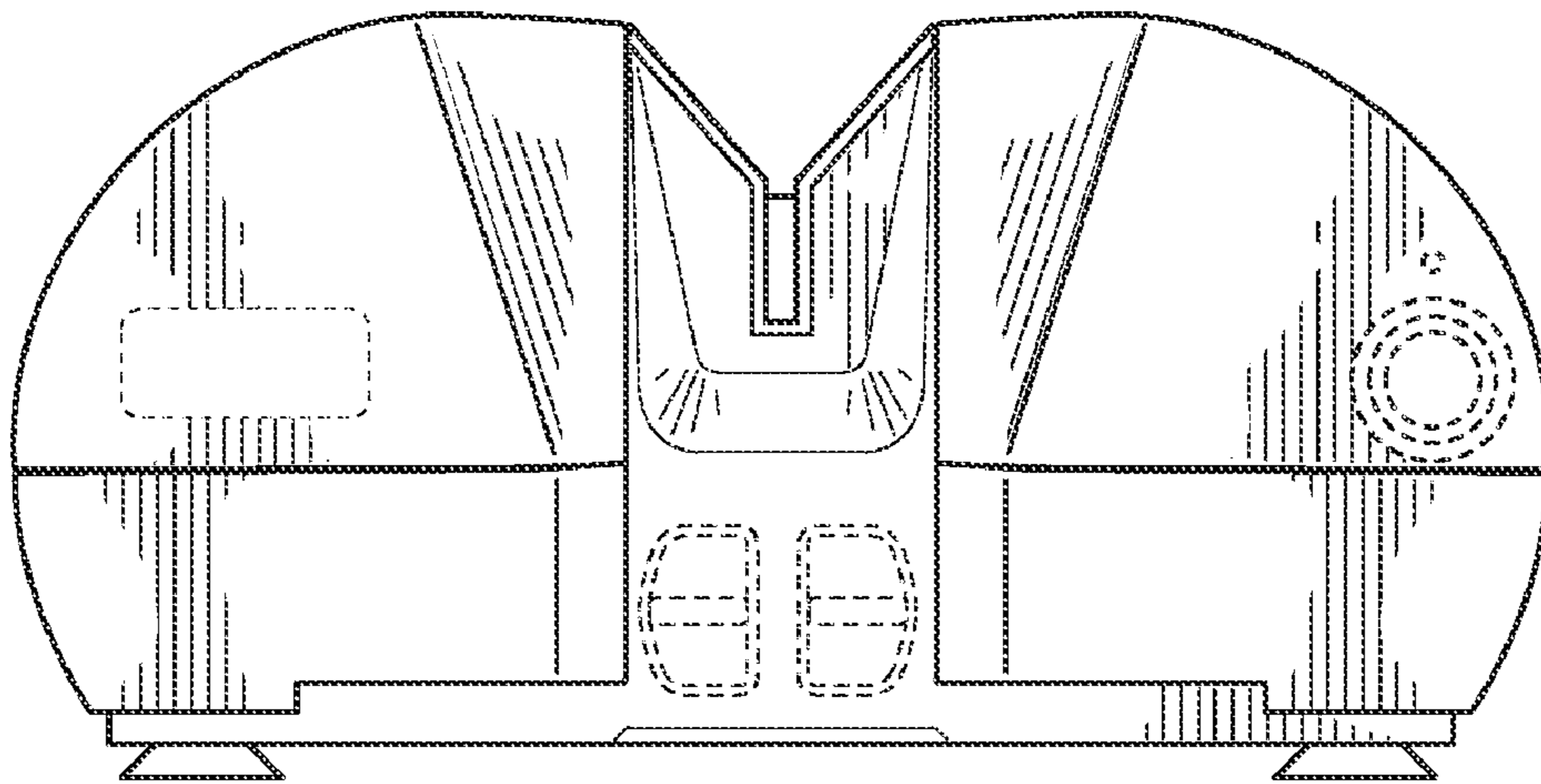


FIG. 4

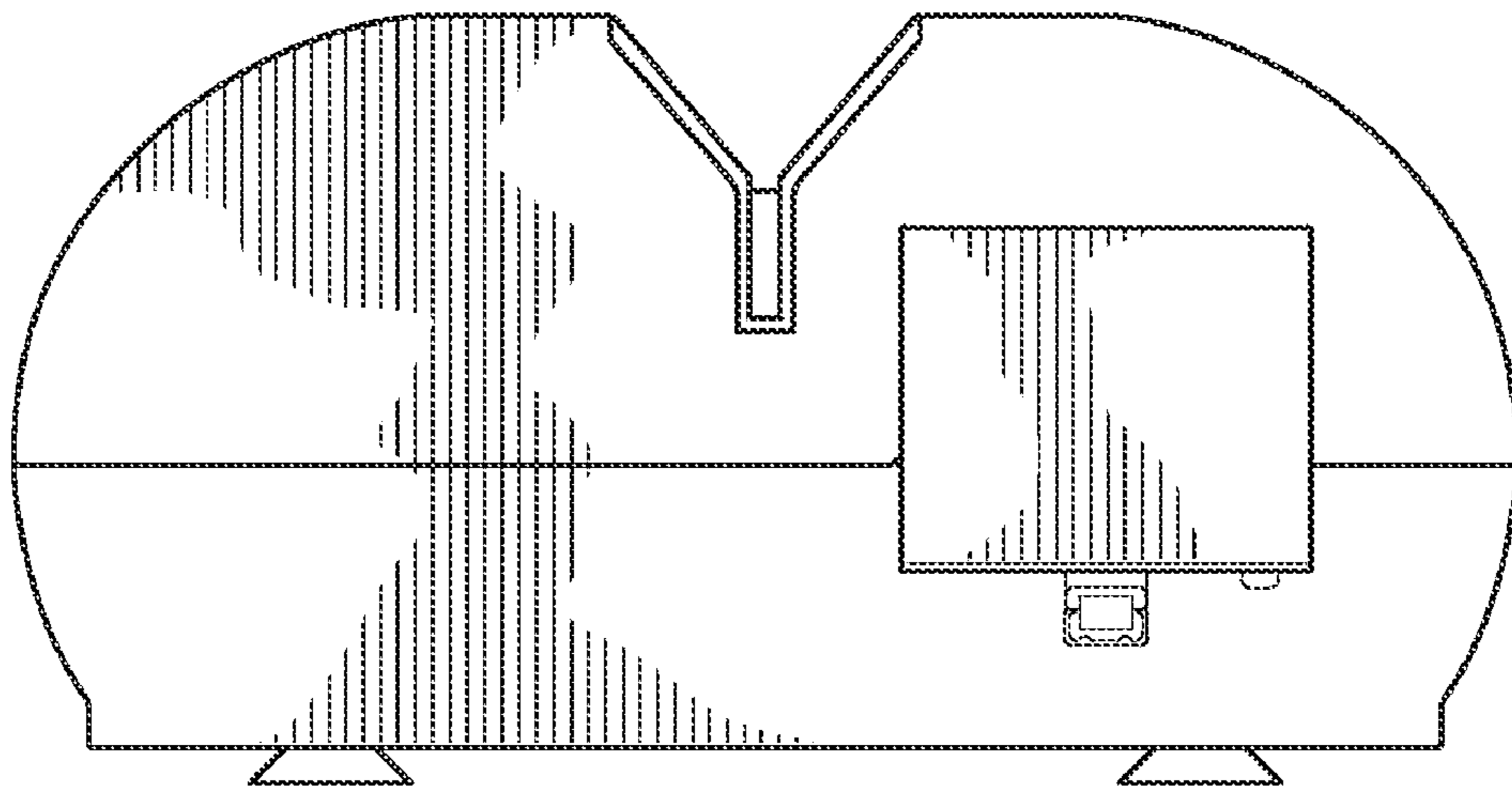


FIG. 5

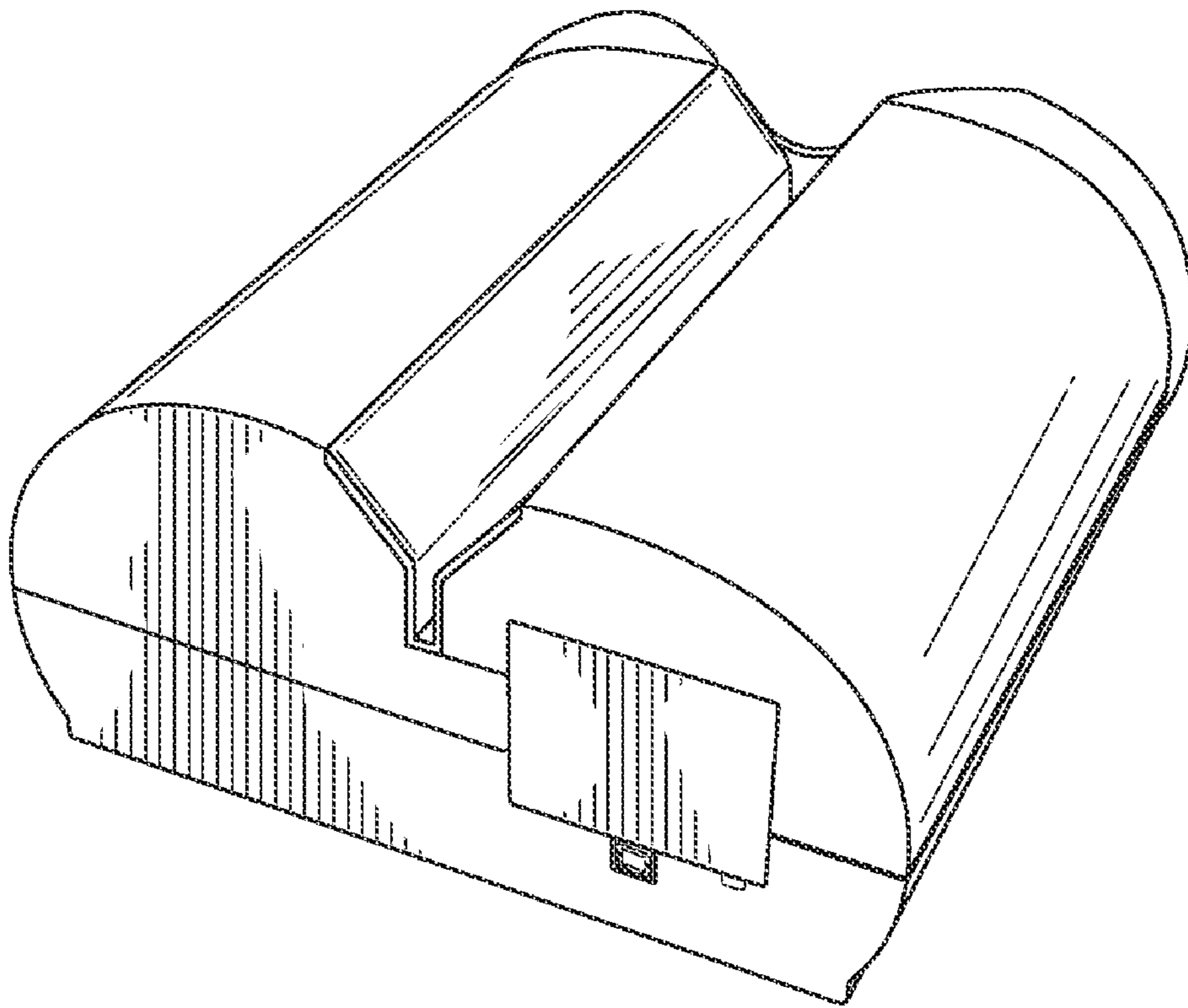


FIG. 6

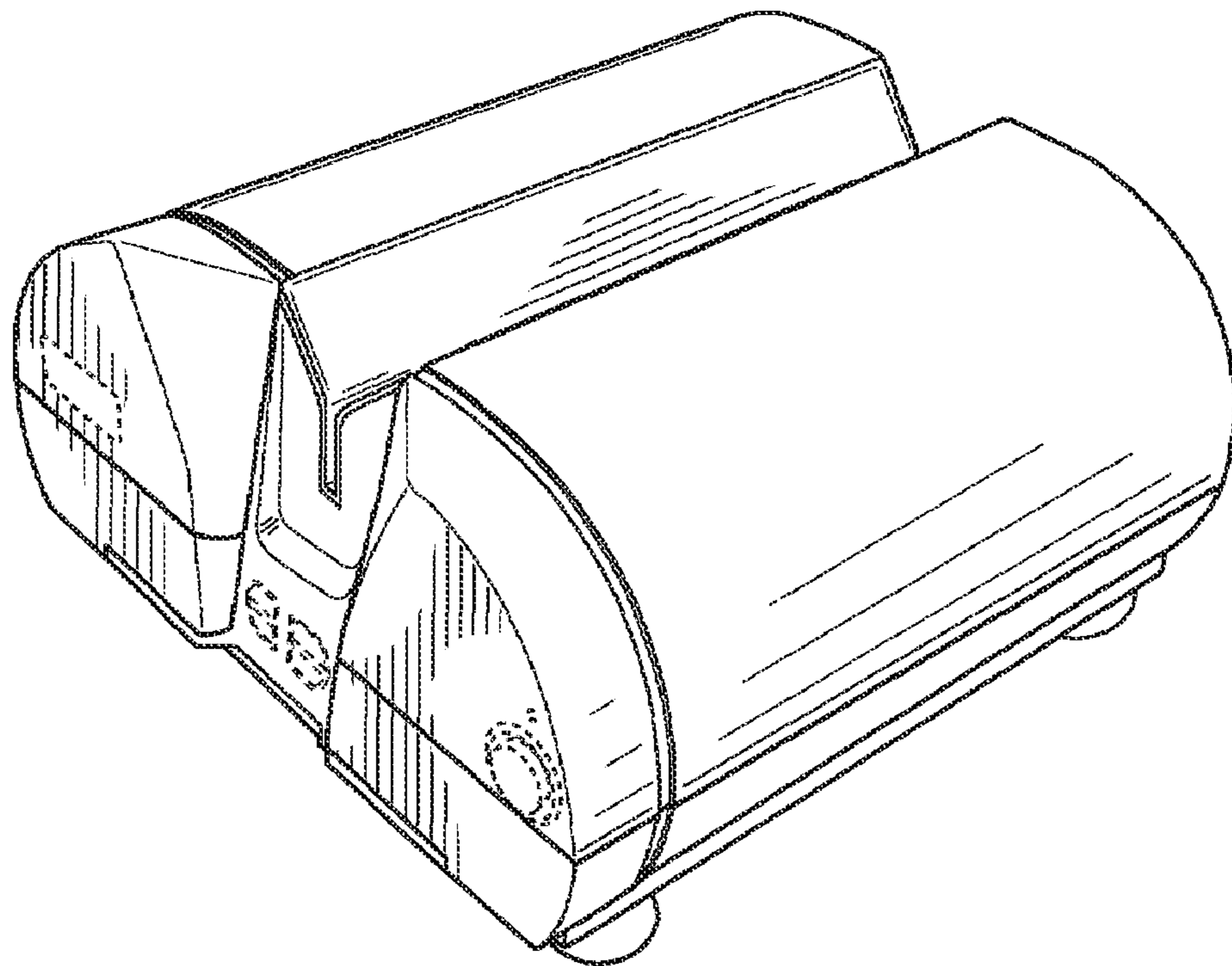


FIG. 7

UNITED STATES PATENT AND TRADEMARK OFFICE
Certificate

Patent No. D605,918 S

Patented: December 15, 2009

On petition requesting issuance of a certificate for correction of inventorship pursuant to 35 U.S.C. 256, it has been found that the above identified patent, through error and without any deceptive intent, improperly sets forth the inventorship.

Accordingly, it is hereby certified that the correct inventorship of this patent is: Thierry Deglon, Dorat (FR).

Signed and Sealed this Twenty-eighth day of December 2010.

CATHRON C. BROOKS
Supervisory Patent Examiner
Art Unit 2911
Technology Center 2900