



US00D605915S

(12) **United States Design Patent**
Garman

(10) **Patent No.:** **US D605,915 S**

(45) **Date of Patent:** **** Dec. 15, 2009**

(54) **COMBINED CAN OPENER AND OPENING TOOL**

(75) Inventor: **Michael Garman**, Midlothian, VA (US)

(73) Assignee: **Hamilton Beach Brands, Inc.**, Glen Allen, VA (US)

(**) Term: **14 Years**

(21) Appl. No.: **29/324,766**

(22) Filed: **Sep. 19, 2008**

Related U.S. Application Data

(62) Division of application No. 29/299,816, filed on Jan. 4, 2008, now Pat. No. Des. 587,078.

(51) **LOC (9) Cl.** **07-99**

(52) **U.S. Cl.** **D8/36**

(58) **Field of Classification Search** D8/14,
D8/18, 33-43; 7/151-156; 30/400-410,
30/416-430, 433, 434, 443, 450; 81/3.07,
81/3.09, 3.2, 3.27, 3.29, 3.35, 3.37, 3.4, 3.45,
81/3.48, 3.49, 3.55

See application file for complete search history.

(56) **References Cited**

U.S. PATENT DOCUMENTS

1,581,958	A	4/1926	Killman
1,887,152	A	11/1932	Geisler
1,919,866	A	7/1933	Schact
2,003,983	A	6/1935	Thener
2,015,565	A	9/1935	Loeber
2,023,975	A	12/1935	Qualey
2,083,788	A	6/1937	Loeber
2,246,649	A	6/1941	West
2,291,294	A	7/1942	Holste
2,508,921	A	5/1950	Leitch
2,554,410	A	5/1951	Horton
2,924,878	A	2/1960	Brown
D190,861	S	7/1961	Hart
D194,280	S	12/1962	Connors
3,153,853	A	10/1964	Lipton

(Continued)

Primary Examiner—Caron Veynar

Assistant Examiner—Garth Rademaker

(74) *Attorney, Agent, or Firm*—Panitch Schwarze Belisario & Nadel LLP

(57) **CLAIM**

The ornamental design for a combined can opener and opening tool, as shown.

DESCRIPTION

FIG. 1 is a top perspective view of a combined can opener and opening tool in accordance with my new design;

FIG. 2 is a front elevational view of the combined can opener and opening tool shown in FIG. 1;

FIG. 3 is a rear elevational view of the combined can opener and opening tool shown in FIG. 1;

FIG. 4 is a top plan view of the combined can opener and opening tool shown in FIG. 1;

FIG. 5 is a bottom plan view of the combined can opener and opening tool shown in FIG. 1;

FIG. 6 is a right-side elevational view of the combined can opener and opening tool shown in FIG. 1;

FIG. 7 is a left-side elevational view of the combined can opener and opening tool shown in FIG. 1;

FIG. 8 is a top perspective view of an opening tool removably mounted within the can opener shown in FIG. 1;

FIG. 9 is a front elevational view of the opening tool shown in FIG. 8;

FIG. 10 is a rear elevational view of the opening tool shown in FIG. 8;

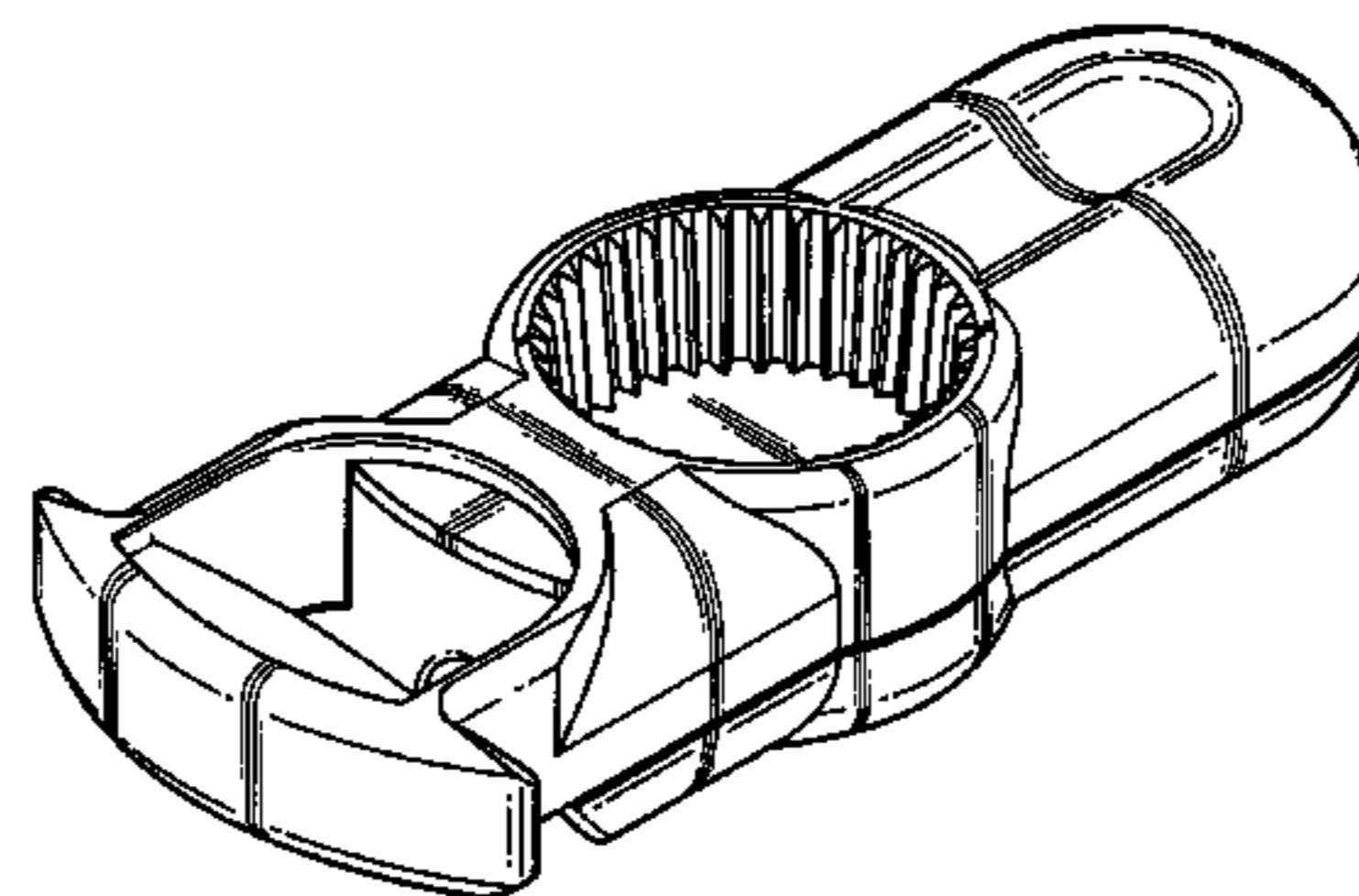
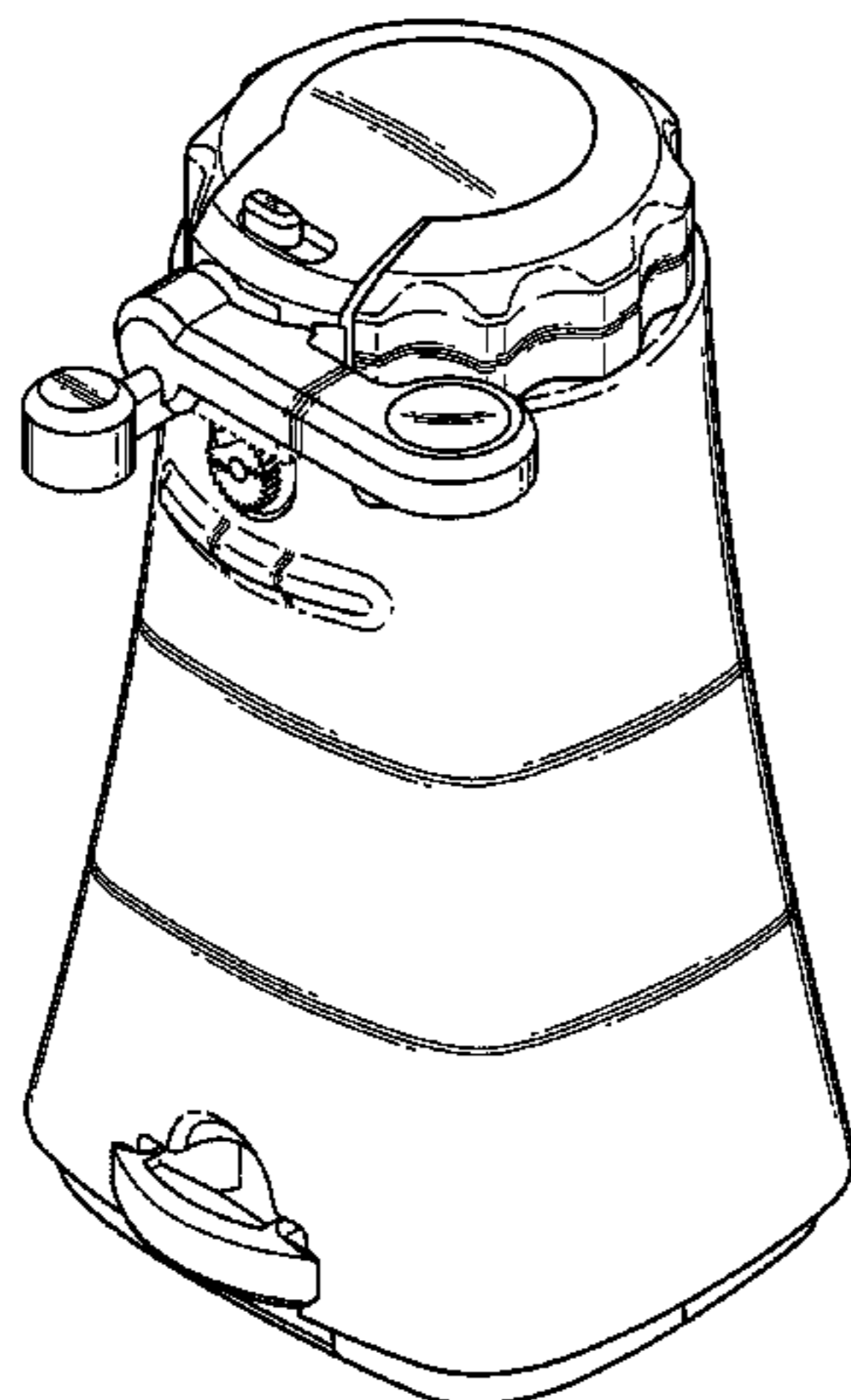
FIG. 11 is a right-side elevational view of the opening tool shown in FIG. 8, the left-side elevational view being a mirror image thereof;

FIG. 12 is a top plan view of the opening tool shown in FIG. 8; and,

FIG. 13 is a bottom plan view of the opening tool shown in FIG. 8.

The broken lines in the figures are for illustrative purposes only and form no part of the claimed design.

1 Claim, 9 Drawing Sheets



US D605,915 S

U.S. PATENT DOCUMENTS				
D201,754 S	7/1965	Reed	D388,674 S	1/1998 McCloskey et al.
D202,268 S	9/1965	Reed et al.	5,833,285 A	11/1998 Venezia
D211,260 S	6/1968	Reed	D408,235 S	4/1999 Alonge et al.
3,589,216 A	6/1971	Wise et al.	D428,564 S *	7/2000 Kao D7/374
3,639,983 A	2/1972	Knipfing	6,105,468 A	8/2000 Fohrman et al.
3,942,247 A	3/1976	Poncdek et al.	D432,374 S *	10/2000 Cruz et al. D8/35
3,950,801 A	4/1976	Morrison	D435,767 S	1/2001 Hoatling et al.
4,001,904 A	1/1977	Gill	D468,979 S	1/2003 Picozza et al.
D261,854 S	11/1981	Nielsen	D514,403 S	2/2006 Wolf
4,327,490 A	5/1982	Hoskins	D515,390 S	2/2006 Scimone
4,334,332 A	6/1982	Downs	7,004,049 B2	2/2006 So
4,389,780 A	6/1983	Ostroski et al.	D520,313 S	5/2006 Miller
D273,555 S *	4/1984	Tanner D8/40	D524,612 S	7/2006 Wakasugi
4,455,894 A	6/1984	Roberts	7,069,815 B1	7/2006 Yu
D277,160 S	1/1985	Antone	7,213,284 B2	5/2007 Huang et al.
4,530,154 A	7/1985	DiCarlo	D543,824 S	6/2007 Lee
4,846,024 A	7/1989	Bryant et al.	7,168,337 B2	6/2007 Carmo
4,941,373 A	7/1990	Jobmann	7,240,589 B2	7/2007 Kehoe
D311,668 S	10/1990	Bryant et al.	D587,078 S *	2/2009 Garman D8/36
4,967,622 A	11/1990	Phillips	2005/0252343 A1	11/2005 Turner
4,979,407 A	12/1990	Hernandez et al.	2007/0056405 A1	3/2007 Cohen
5,127,161 A	7/1992	Ikeda	2007/0079670 A1	4/2007 Chaconas et al.
D336,023 S	6/1993	Alpers	2007/0157765 A1	7/2007 Neiser et al.
D348,813 S *	7/1994	Klein D8/36	2007/0163122 A1	7/2007 Grosh et al.
			2007/0175049 A1	8/2007 Goode et al.
				* cited by examiner

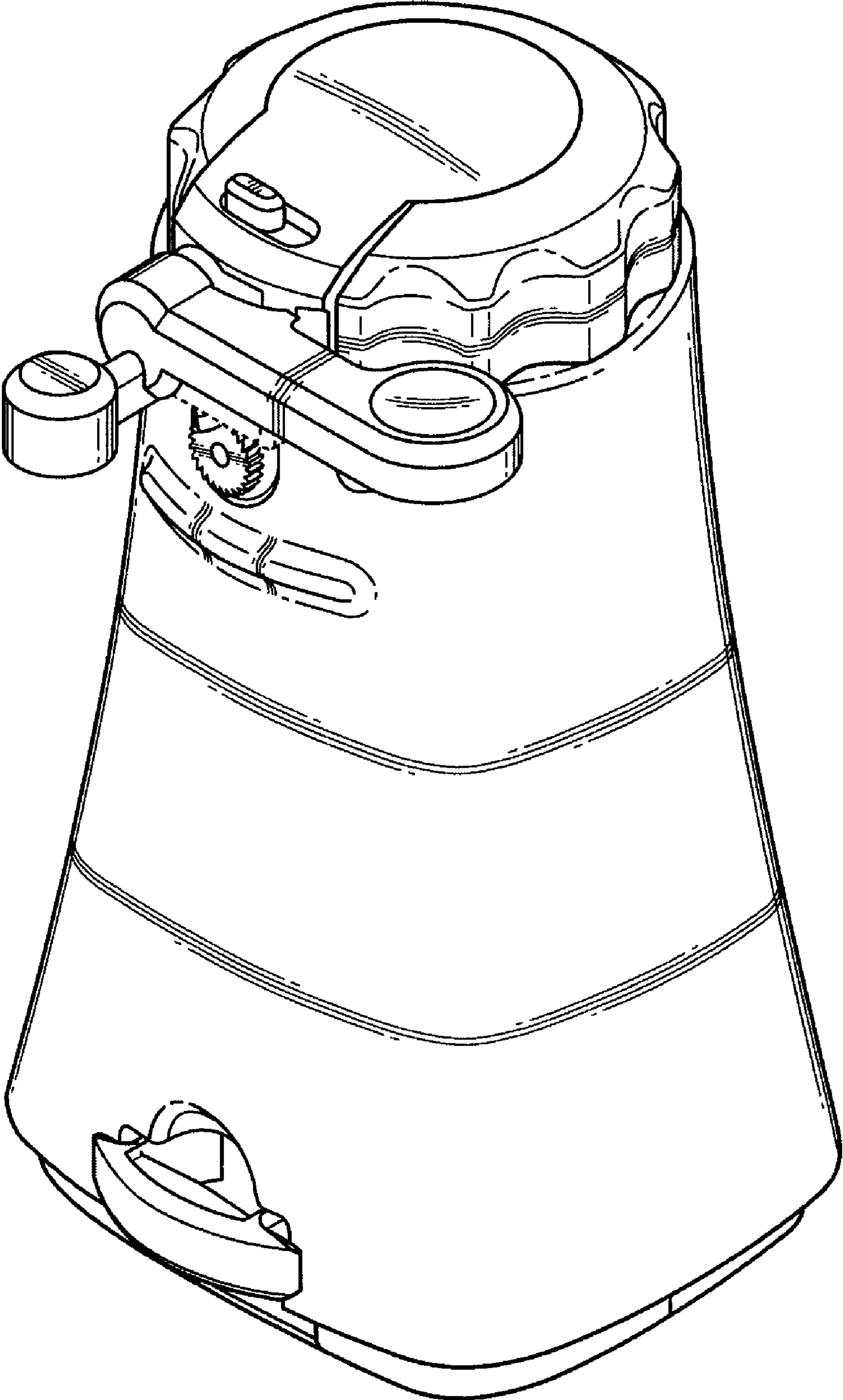


FIG. 1

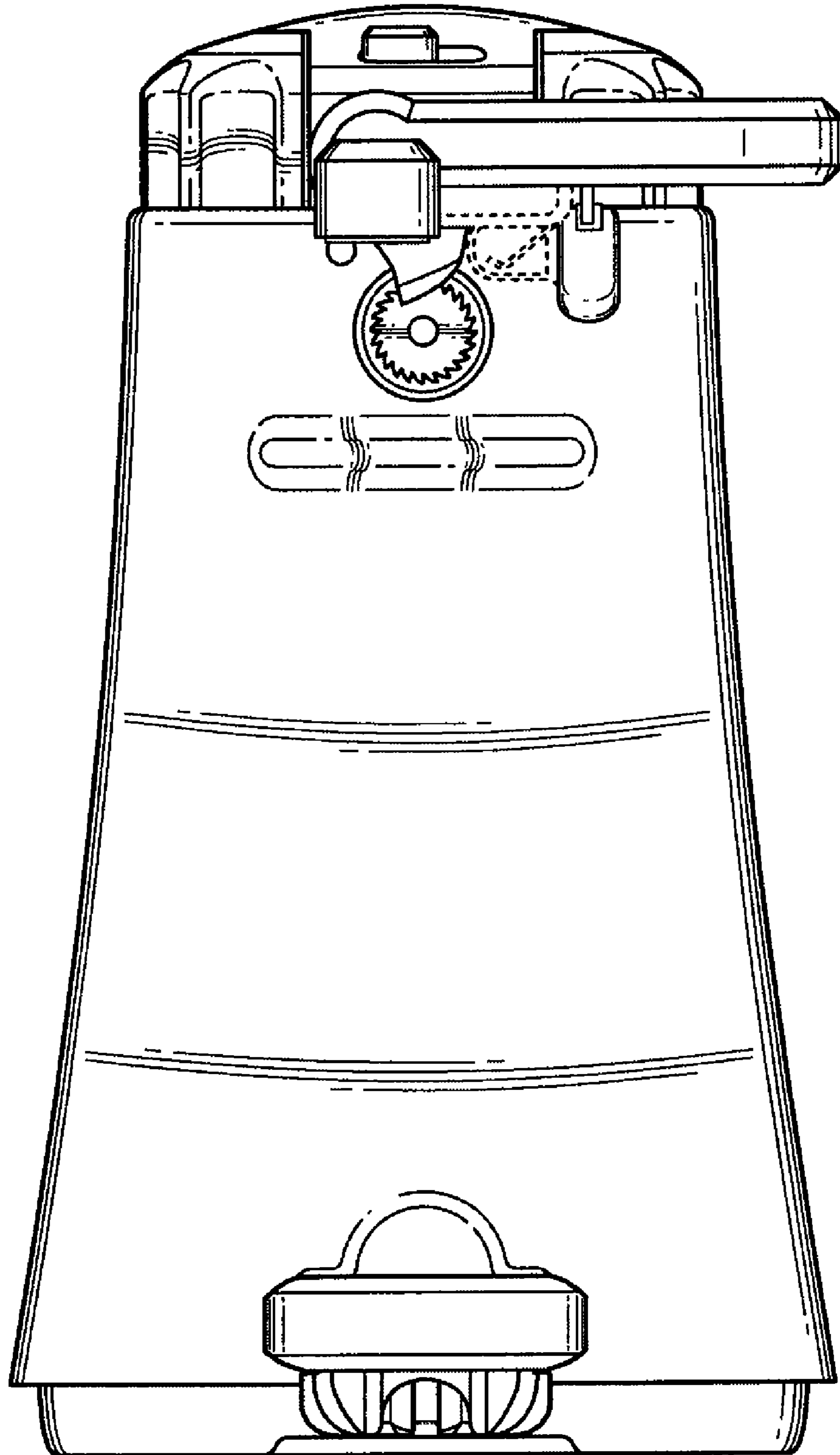


FIG. 2

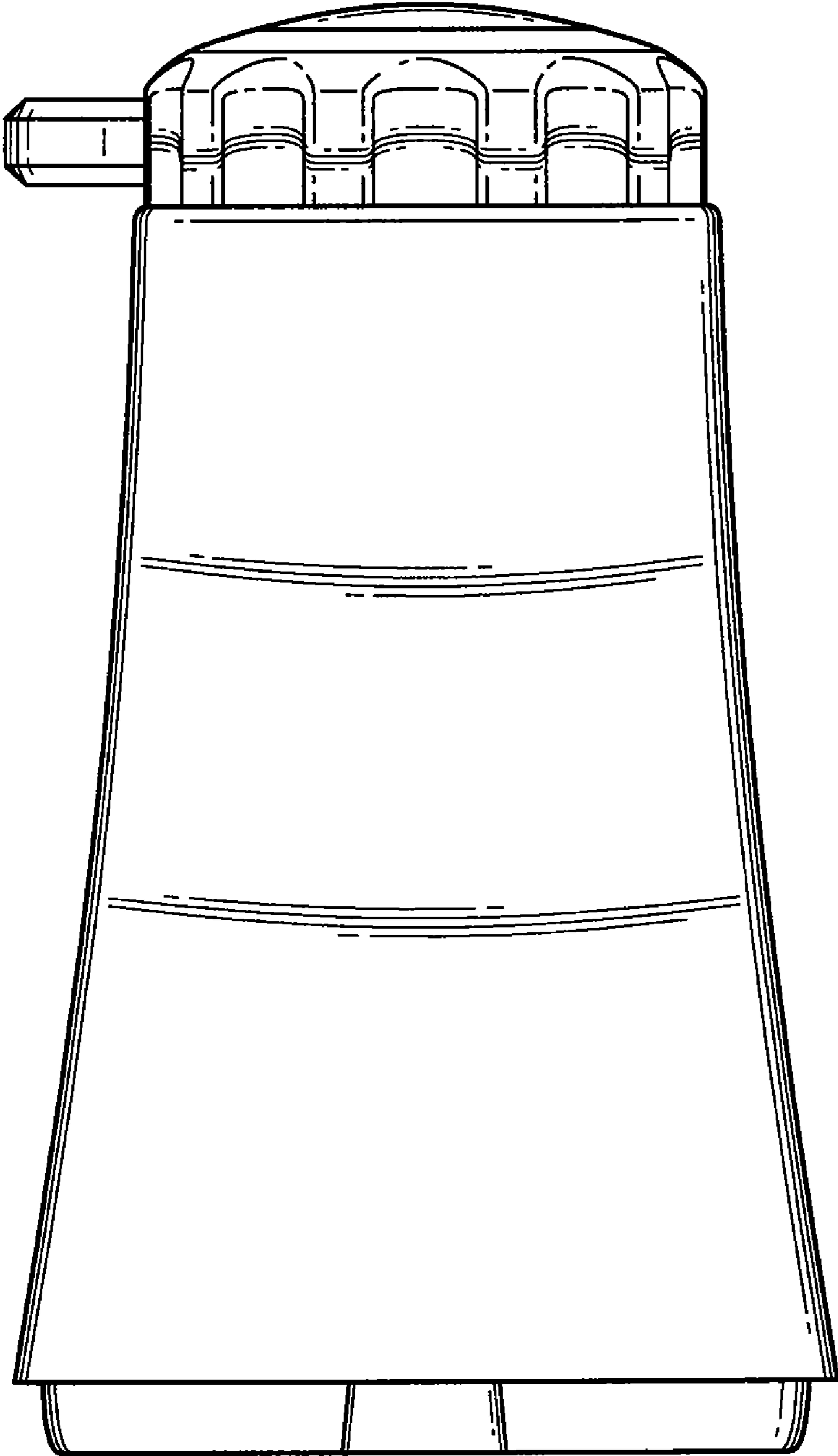


FIG. 3

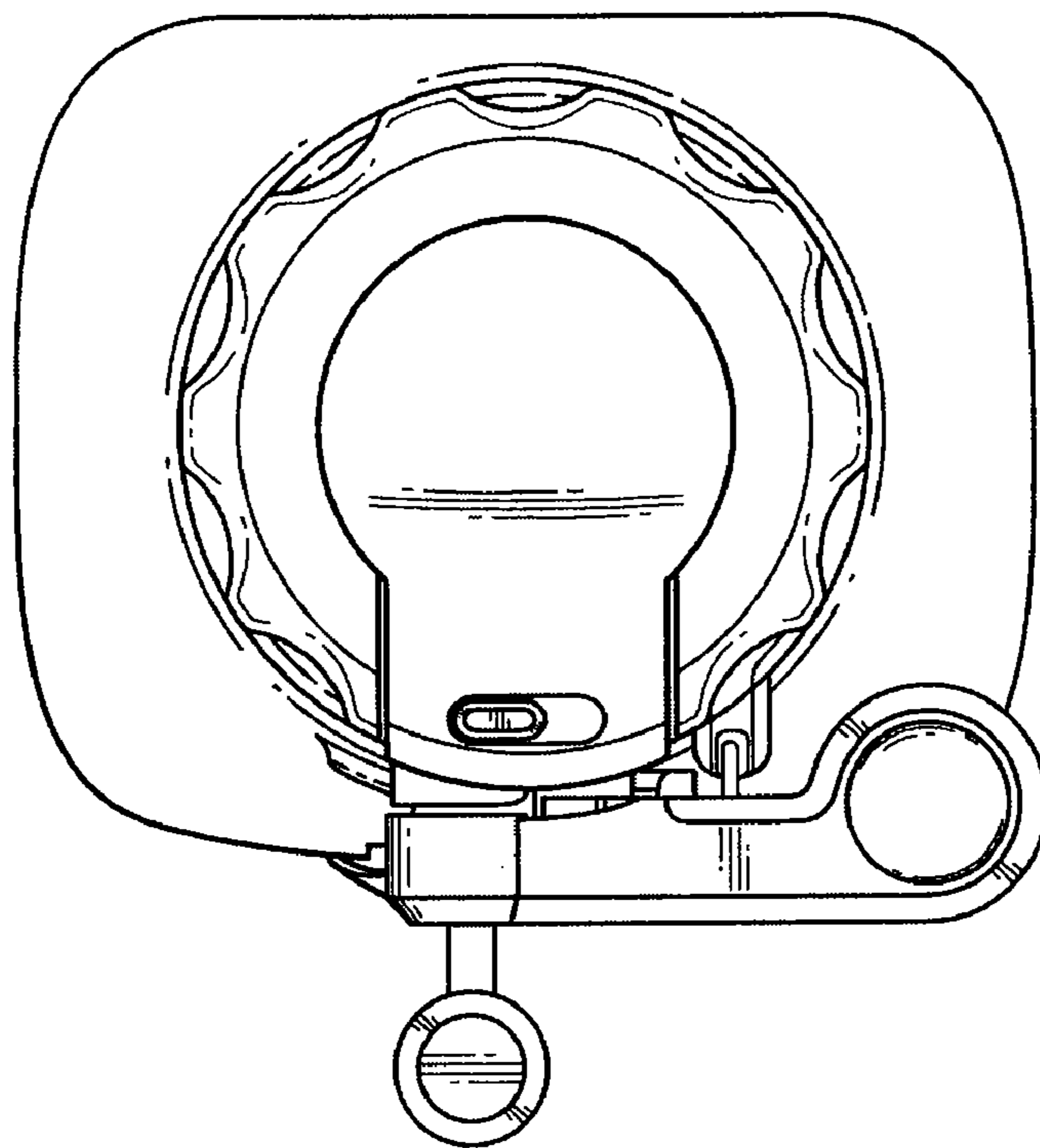


FIG. 4

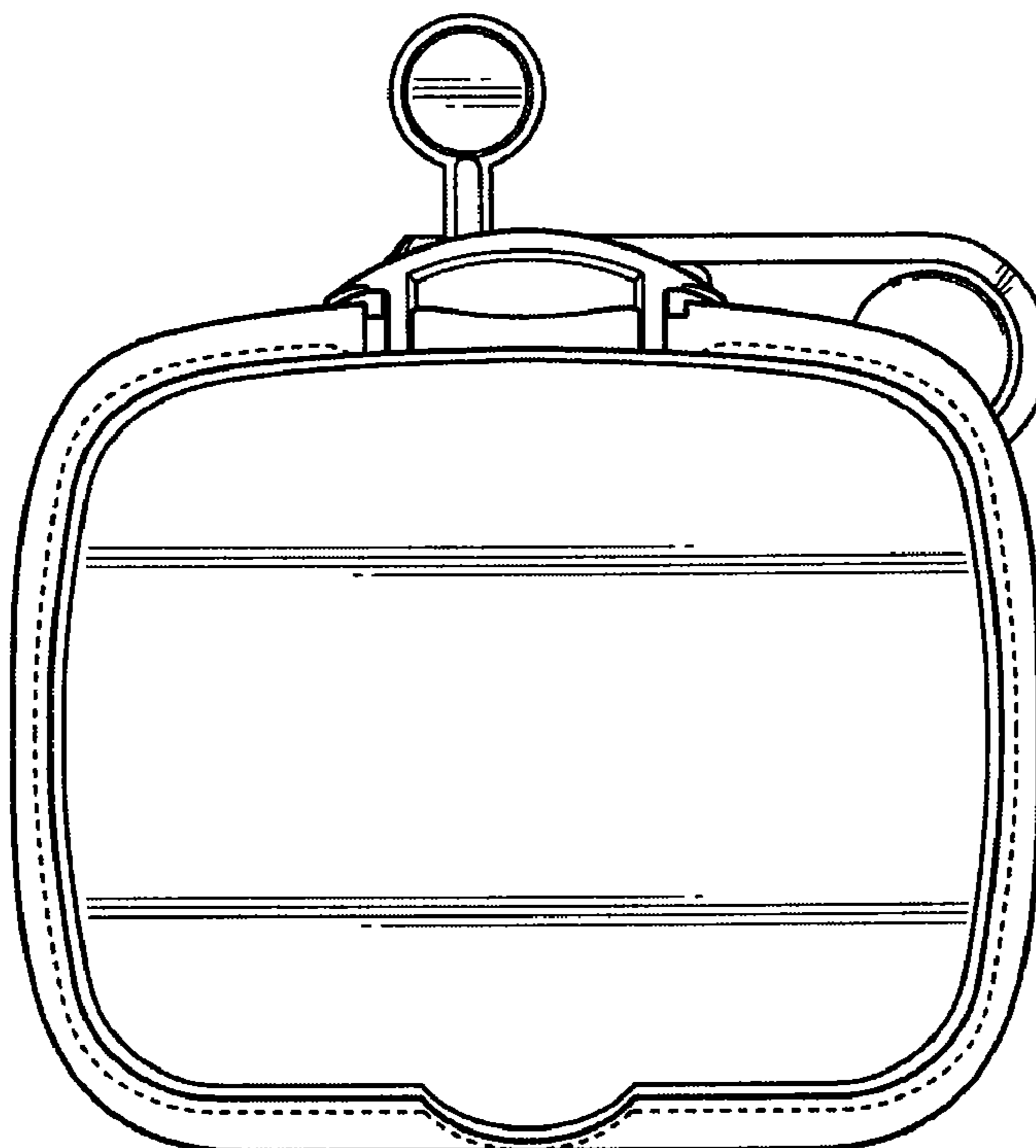


FIG. 5

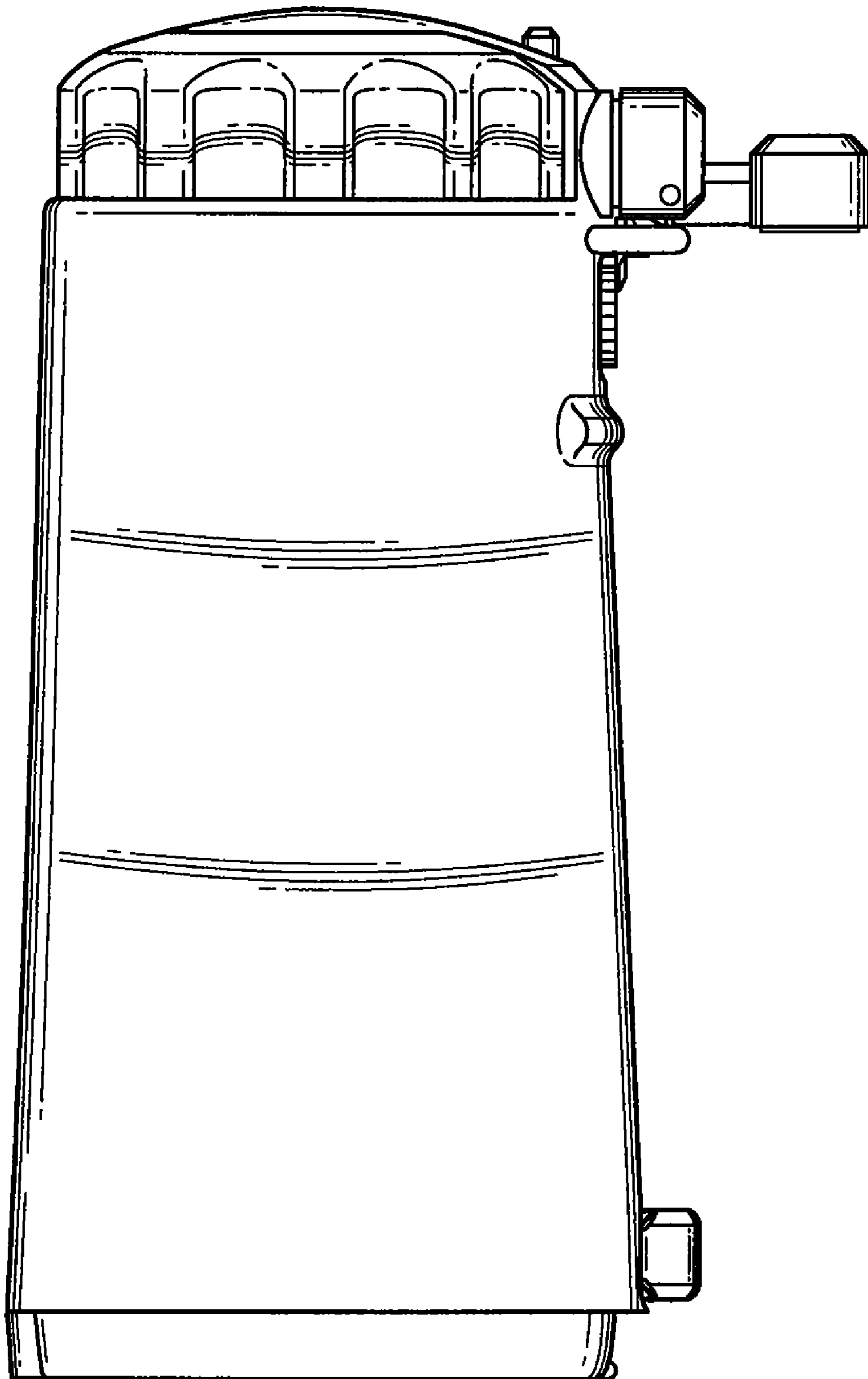


FIG. 6

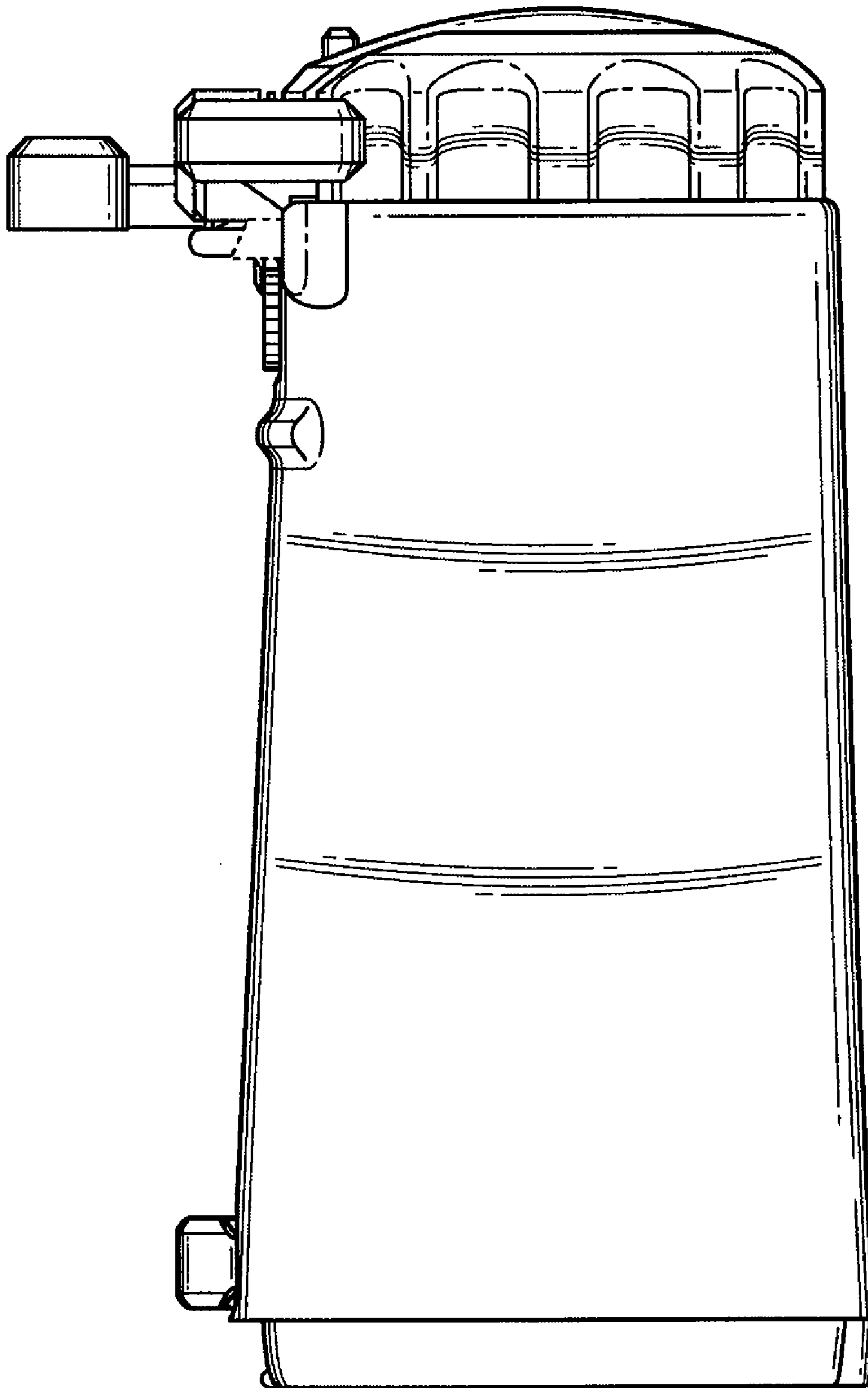


FIG. 7

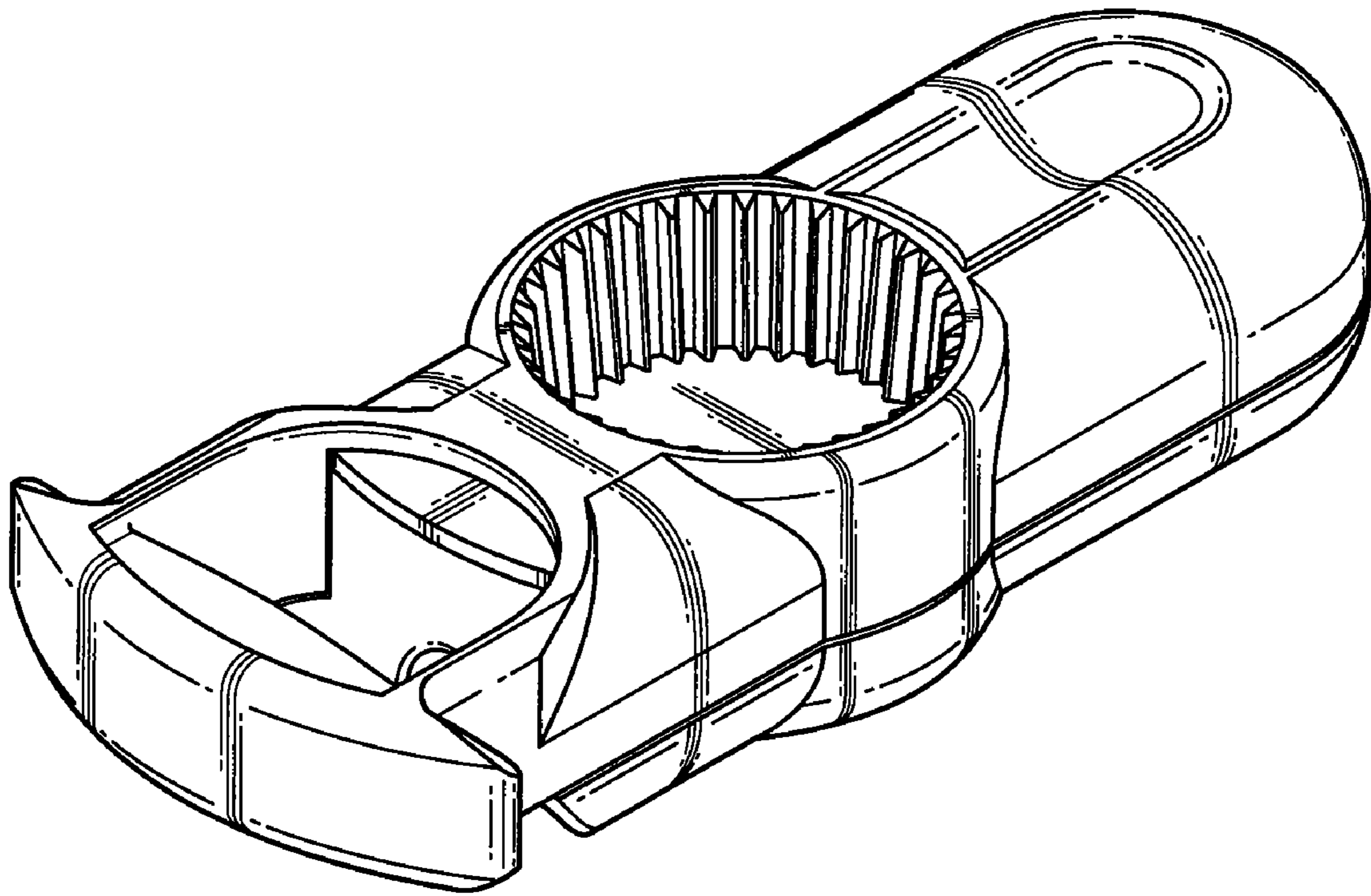


FIG. 8

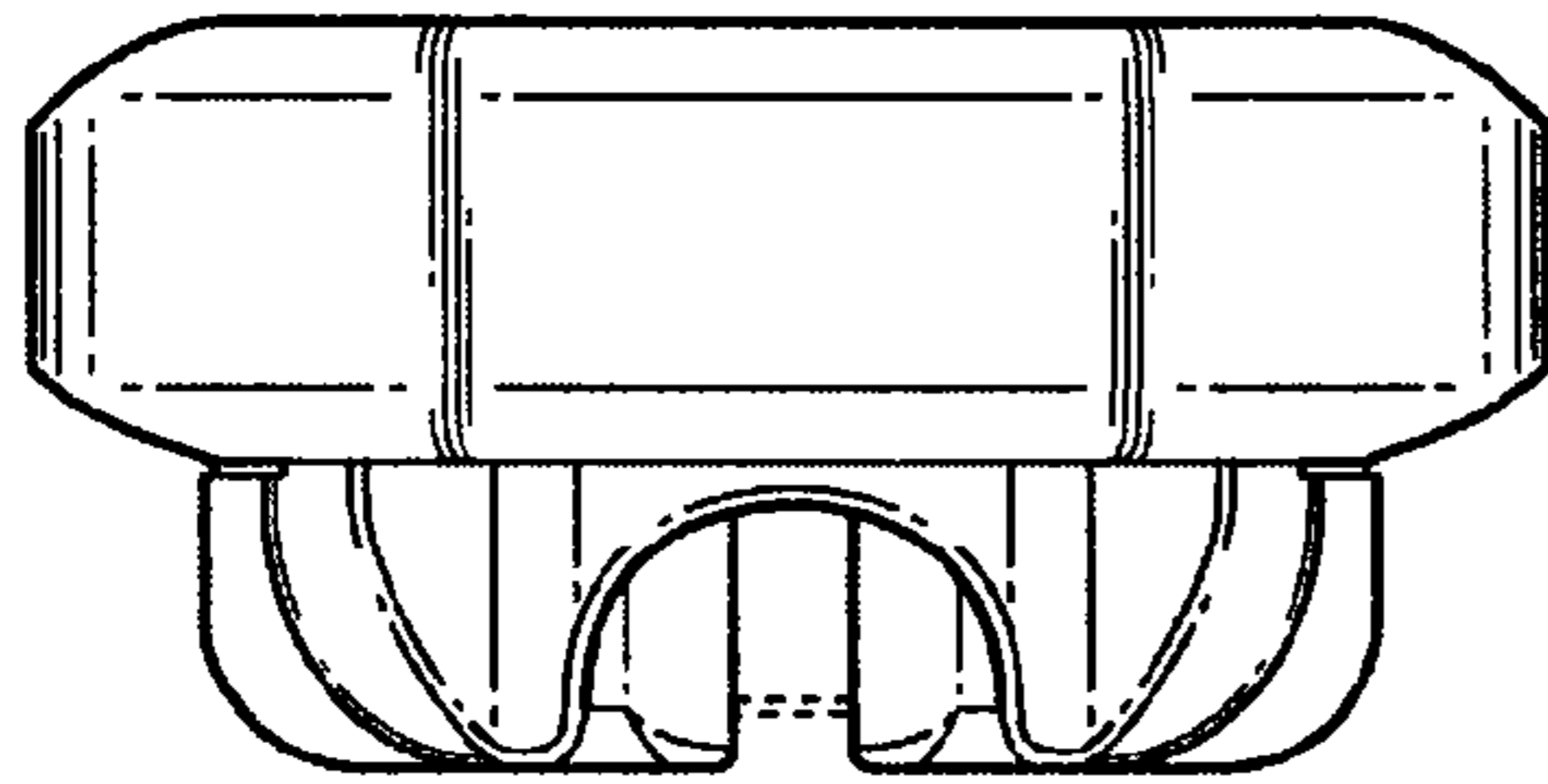


FIG. 9

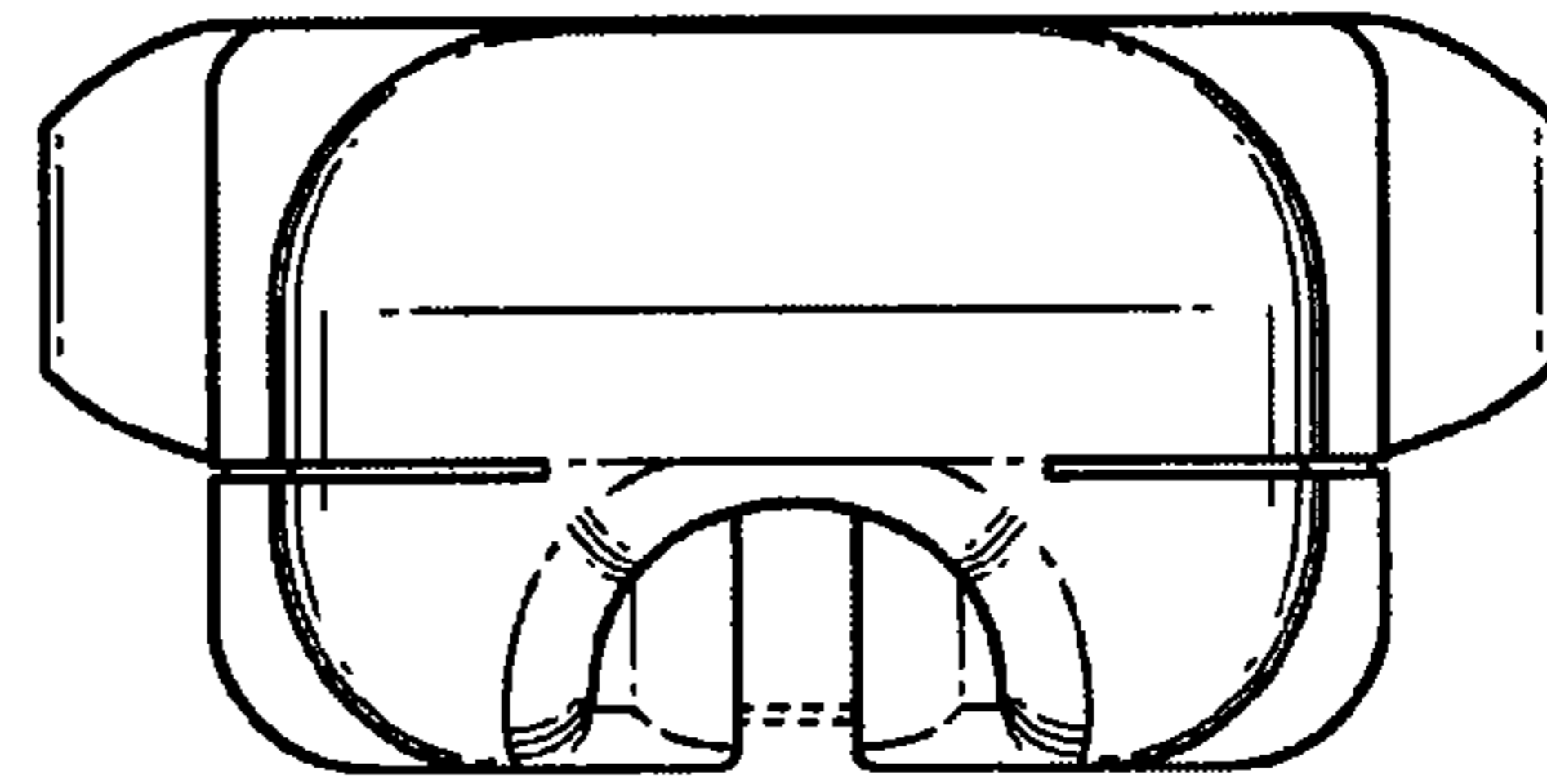


FIG. 10

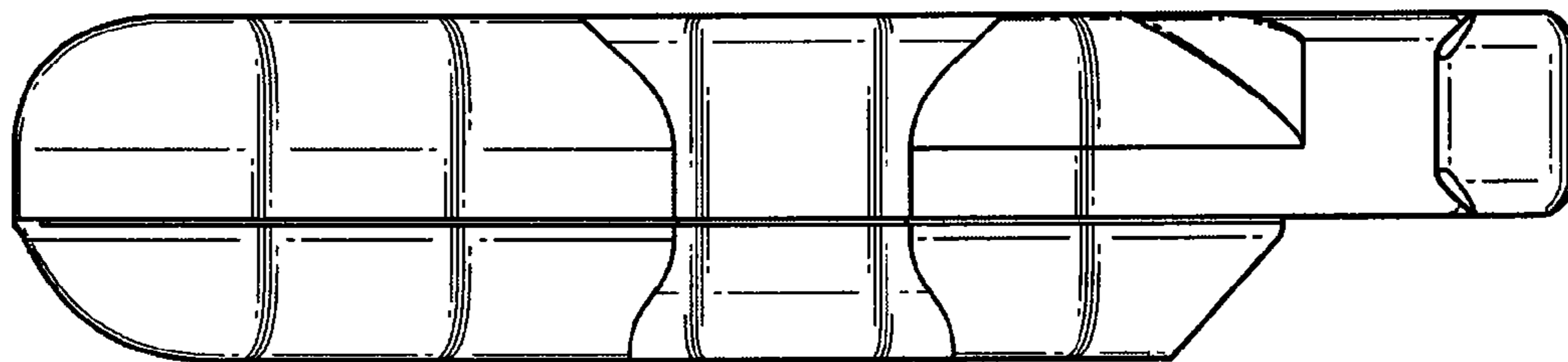


FIG. 11

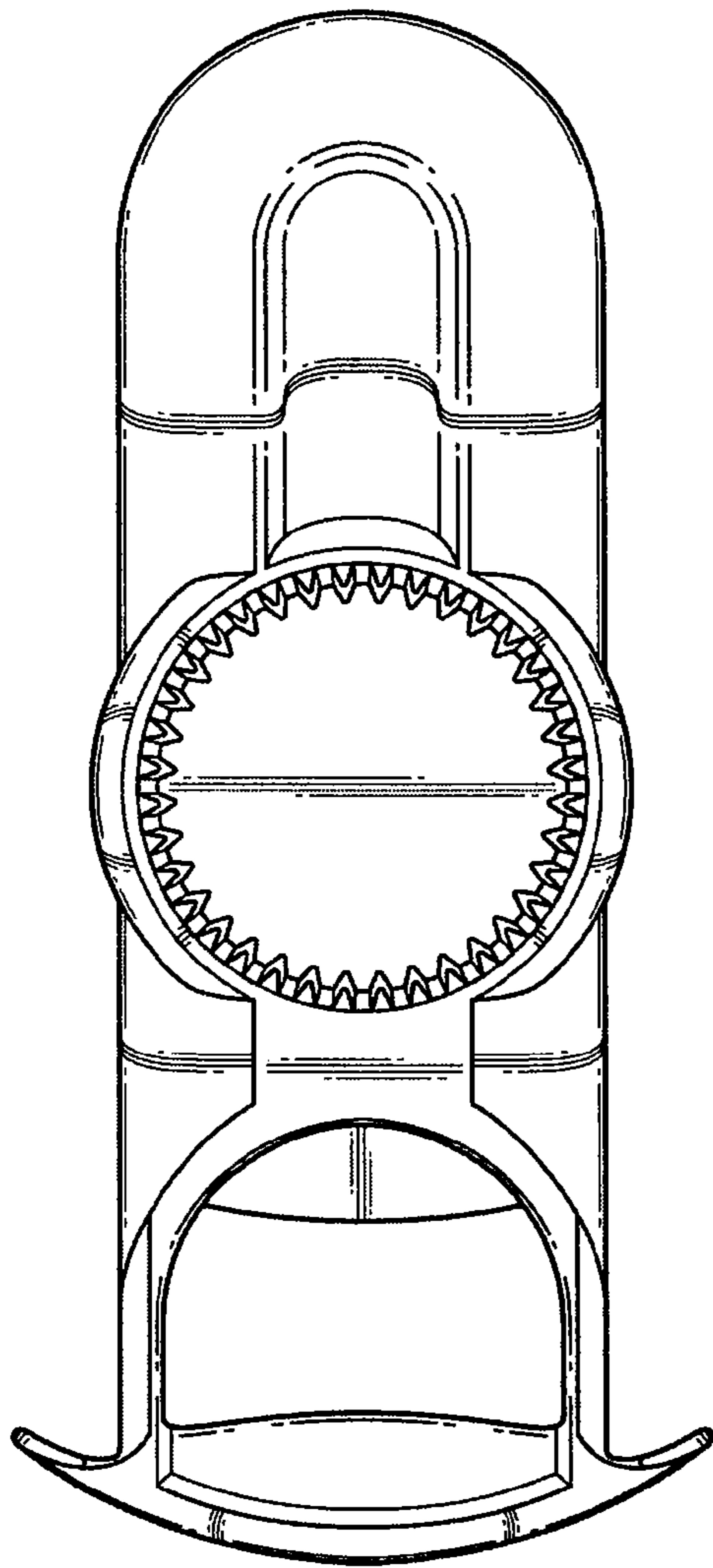


FIG. 12

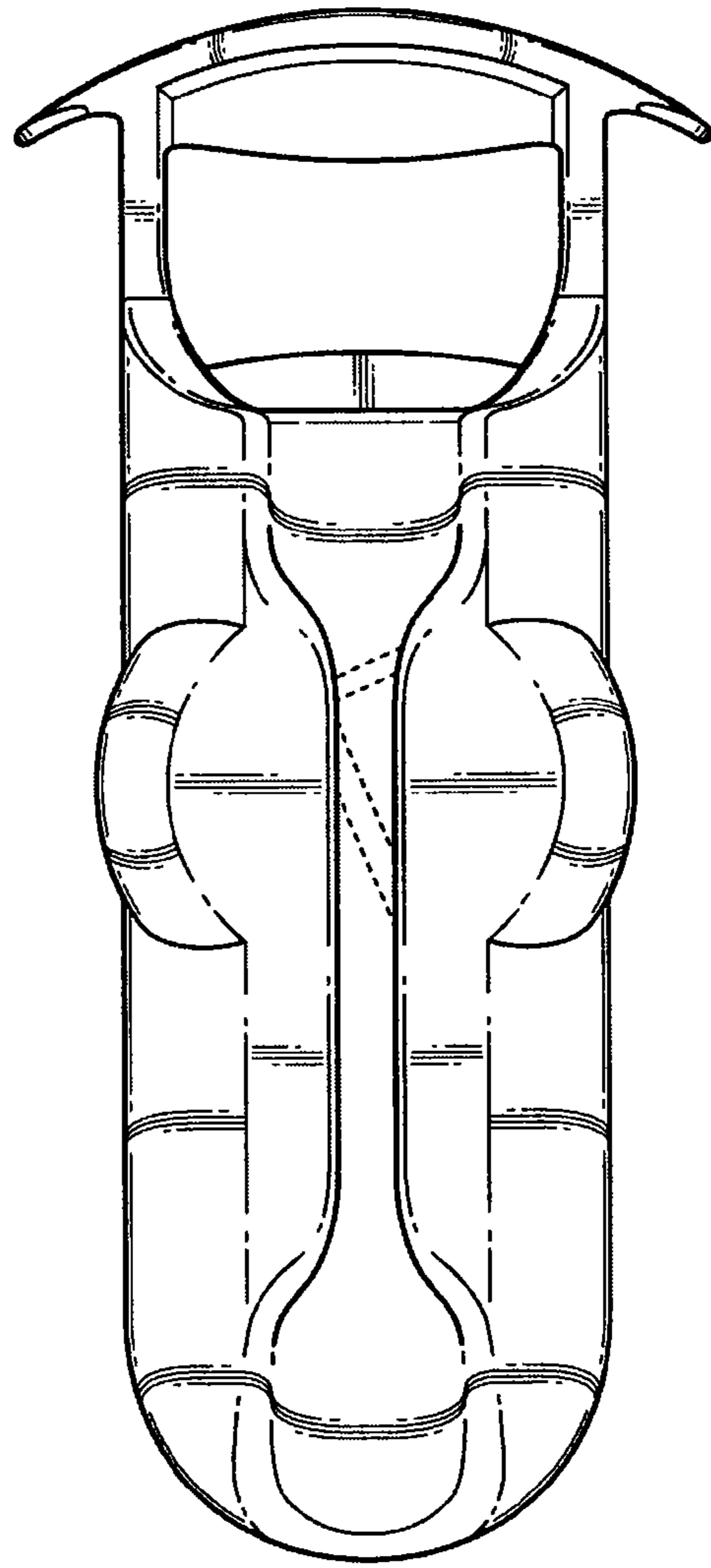


FIG. 13