



US00D605914S

(12) **United States Design Patent**  
**Brovold**

(10) **Patent No.:** **US D605,914 S**

(45) **Date of Patent:** **\*\* Dec. 15, 2009**

(54) **ATTACHMENT DEVICE FOR A RATCHET WRENCH**

(76) **Inventor:** **Thomas Emil Brovold**, 51840 Birch Lake, Barns, WI (US) 54873

(\*\*) **Term:** **14 Years**

(21) **Appl. No.:** **29/336,751**

(22) **Filed:** **May 8, 2009**

(51) **LOC (9) Cl.** ..... **08-05**

(52) **U.S. Cl.** ..... **D8/28**

(58) **Field of Classification Search** ..... D8/21-29;  
81/60-63.2, 176.119, 120, 121.1, 124.3,  
81/177.75, 177.7, 177.85, 186; 206/376,  
206/378; 16/429; 7/100, 138, 168  
See application file for complete search history.

(56) **References Cited**

**U.S. PATENT DOCUMENTS**

835,034	A *	11/1906	Riddle	81/61
2,421,038	A *	5/1947	Schultz	81/61
2,678,577	A *	5/1954	Tackett	81/57.3
2,817,256	A *	12/1957	Malone et al.	81/57.3
3,283,621	A *	11/1966	Faso	81/54
4,184,390	A *	1/1980	Evans	81/57.3
4,867,016	A *	9/1989	Di Edwardo	81/57.3
5,144,869	A *	9/1992	Chow	81/63

D332,730	S *	1/1993	Usuda	D8/25
6,193,624	B1 *	2/2001	Lund	474/203
6,318,216	B1 *	11/2001	Eggert et al.	81/61
7,331,259	B1 *	2/2008	Chen	81/63

\* cited by examiner

*Primary Examiner*—Philip S Hyder

*Assistant Examiner*—Randall H Gholson

(74) *Attorney, Agent, or Firm*—Larkin Hoffman Daly & Lindgren Ltd.; Craig J. Lervick

(57) **CLAIM**

The ornamental design for an attachment device for a ratchet wrench, as shown and described.

**DESCRIPTION**

FIG. 1 is a perspective view of an attachment device for a ratchet wrench showing my new design, with the ratchet wrench illustrated to show context;

FIG. 2 is a top view thereof;

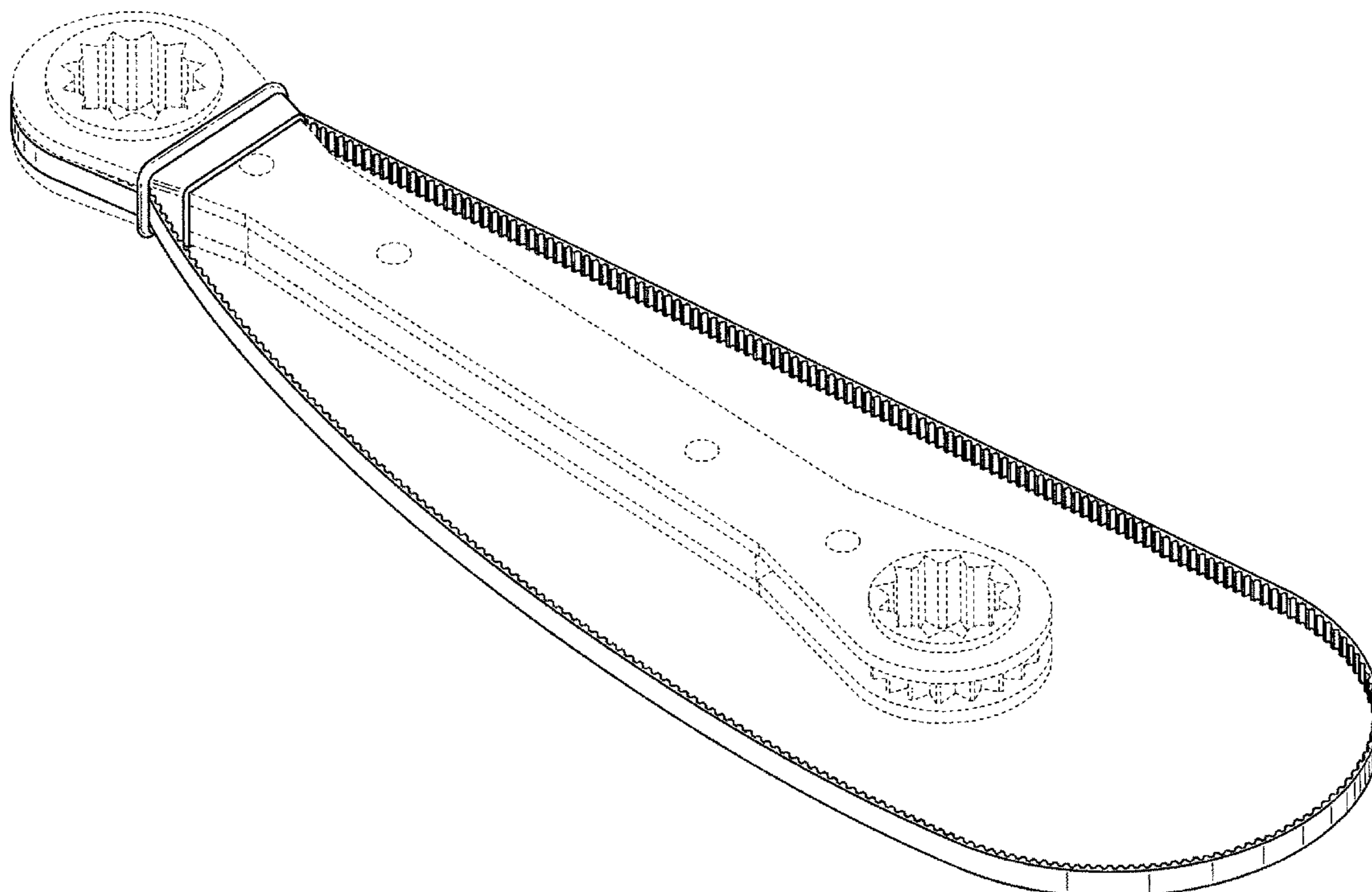
FIG. 3 is a side view thereof;

FIG. 4 is a first end view thereof; and,

FIG. 5 is a second end view thereof.

It will be understood that the dashed lines presented in the drawings are for illustration purposes only and do not form any portion of the claimed design.

**1 Claim, 4 Drawing Sheets**



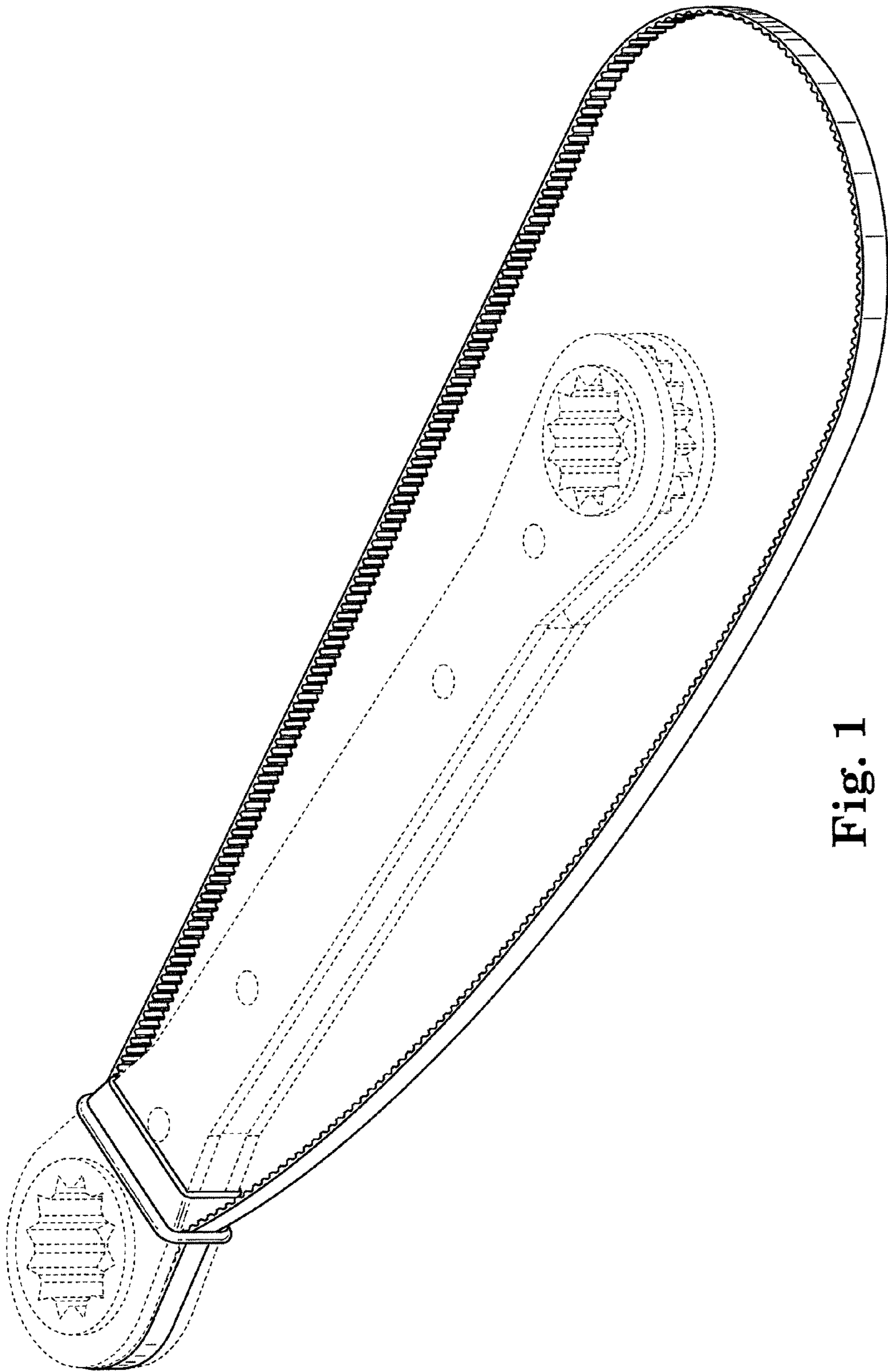


Fig. 1

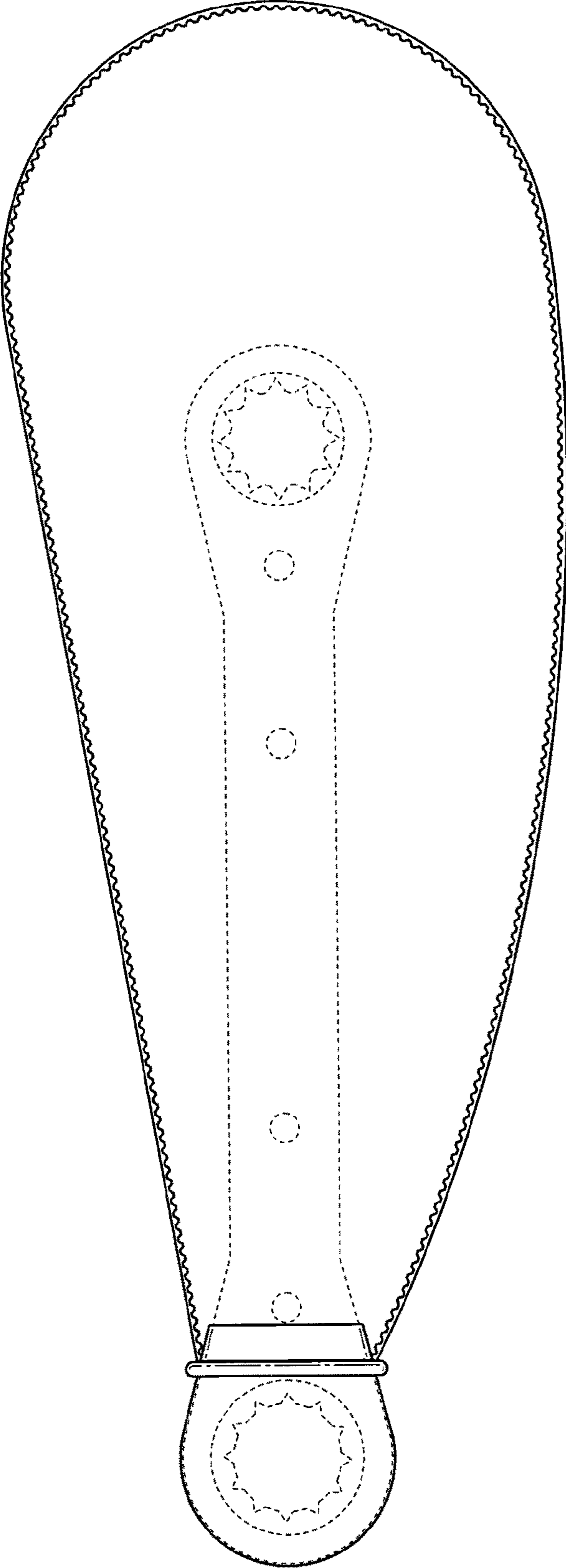


Fig. 2

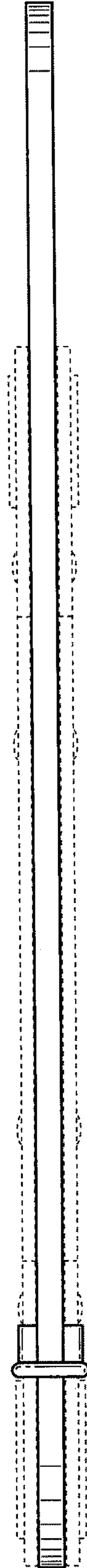


Fig. 3

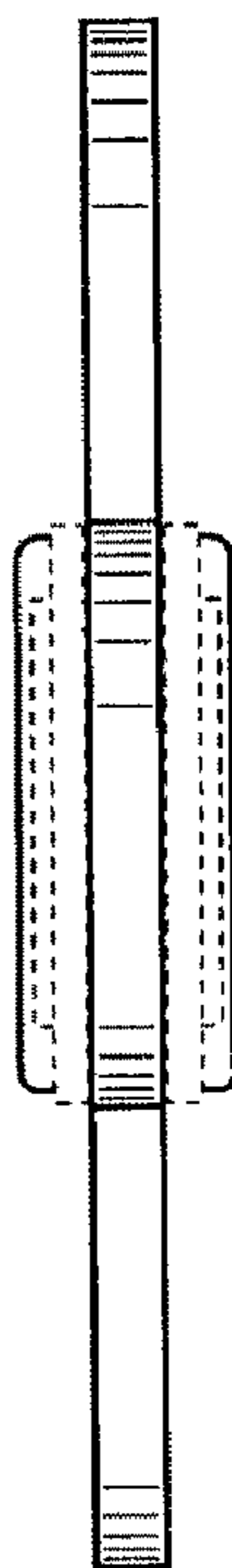


Fig. 5

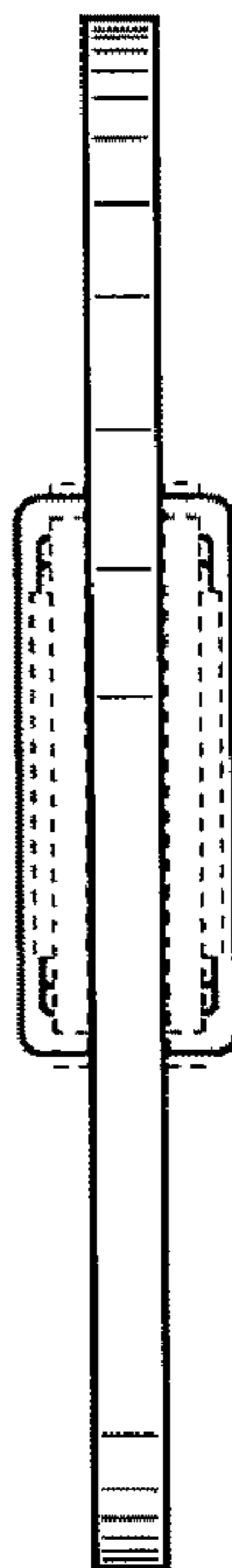


Fig. 4