



US00D605912S

(12) **United States Design Patent**
Gonzalez

(10) **Patent No.:** **US D605,912 S**

(45) **Date of Patent:** **** Dec. 15, 2009**

(54) **FUSE BARREL REMOVAL TOOL**

(76) **Inventor:** **Teodoro Gonzalez**, 15522 NW. 12th Ct.,
Pembroke Pines, FL (US) 33028

(**) **Term:** **14 Years**

(21) **Appl. No.:** **29/331,908**

(22) **Filed:** **Feb. 4, 2009**

Related U.S. Application Data

(62) Division of application No. 11/124,870, filed on May 9, 2005, now abandoned.

(51) **LOC (9) Cl.** **08-05**

(52) **U.S. Cl.** **D8/14**

(58) **Field of Classification Search** D8/14,
D8/51; 294/19.1; 81/3.8, 53.1, 177.85, 418;
7/143, 170

See application file for complete search history.

(56) **References Cited**

U.S. PATENT DOCUMENTS

1,752,575	A *	4/1930	Roselle	81/3.8
1,853,598	A *	4/1932	Birkenmaier	81/3.8
4,132,441	A *	1/1979	Watkins	294/19.1
4,244,613	A *	1/1981	Tillman	81/3.8
5,593,196	A *	1/1997	Baum et al.	294/19.1

5,670,927	A *	9/1997	Fennell	337/168
5,742,220	A *	4/1998	Scherer	294/19.1
6,518,871	B2 *	2/2003	Fennell	337/171
6,922,888	B2 *	8/2005	Barry et al.	29/758

* cited by examiner

Primary Examiner—Philip S Hyder

(74) *Attorney, Agent, or Firm*—Gold & Rizvi, P.A.; H. John Rizvi; Glenn E. Gold

(57) **CLAIM**

I claim the ornamental design for a fuse barrel removal tool, as shown and described.

DESCRIPTION

FIG. 1 is an isometric right side, top view of a fuse barrel removal tool showing my new design;

FIG. 2 is an isometric right side, bottom view thereof;

FIG. 3 is a right side elevation view thereof;

FIG. 4 is a left side elevation view thereof;

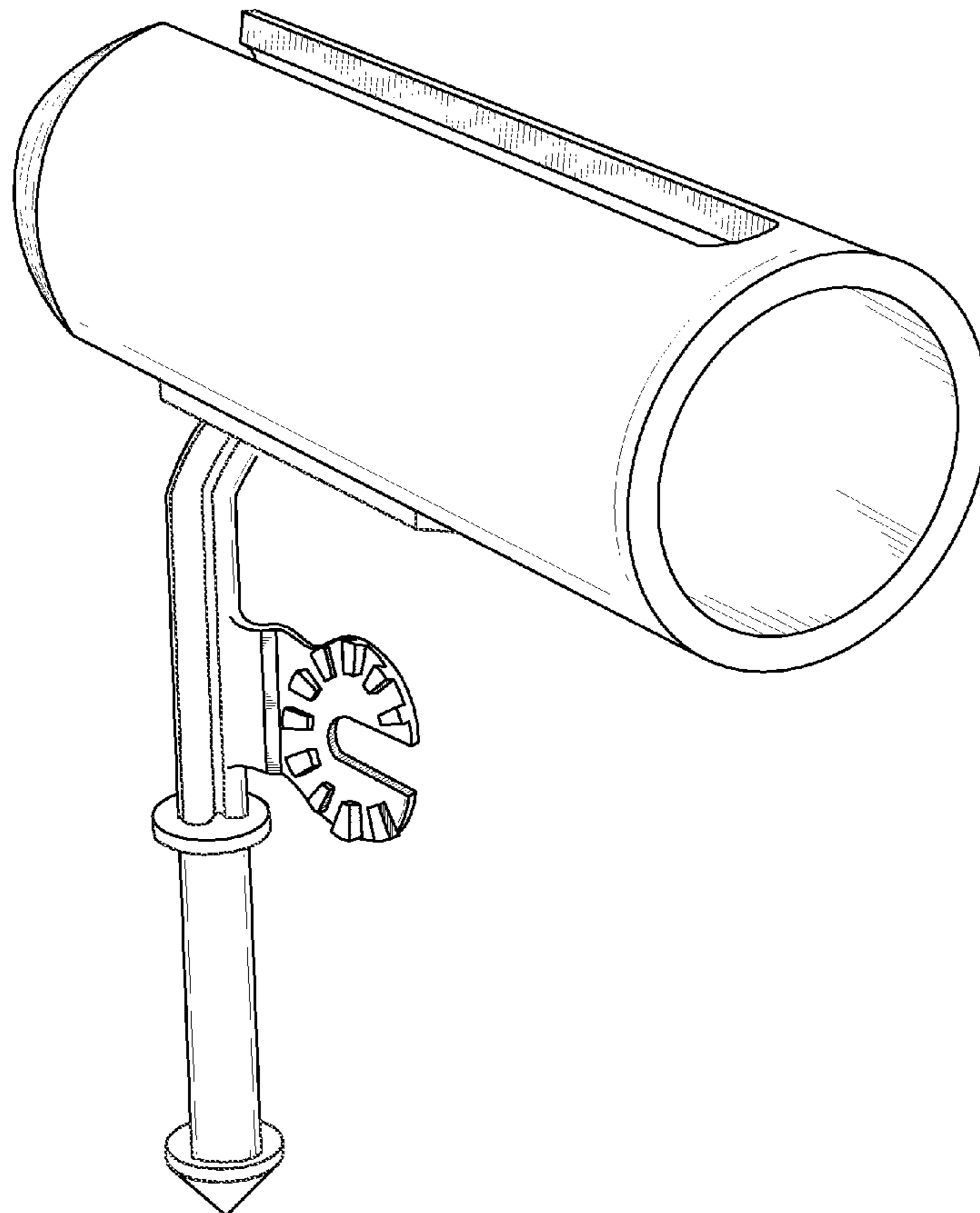
FIG. 5 is a front elevation view thereof;

FIG. 6 is a rear elevation view thereof;

FIG. 7 is a planar top view thereof; and,

FIG. 8 is a planar bottom view thereof.

1 Claim, 6 Drawing Sheets



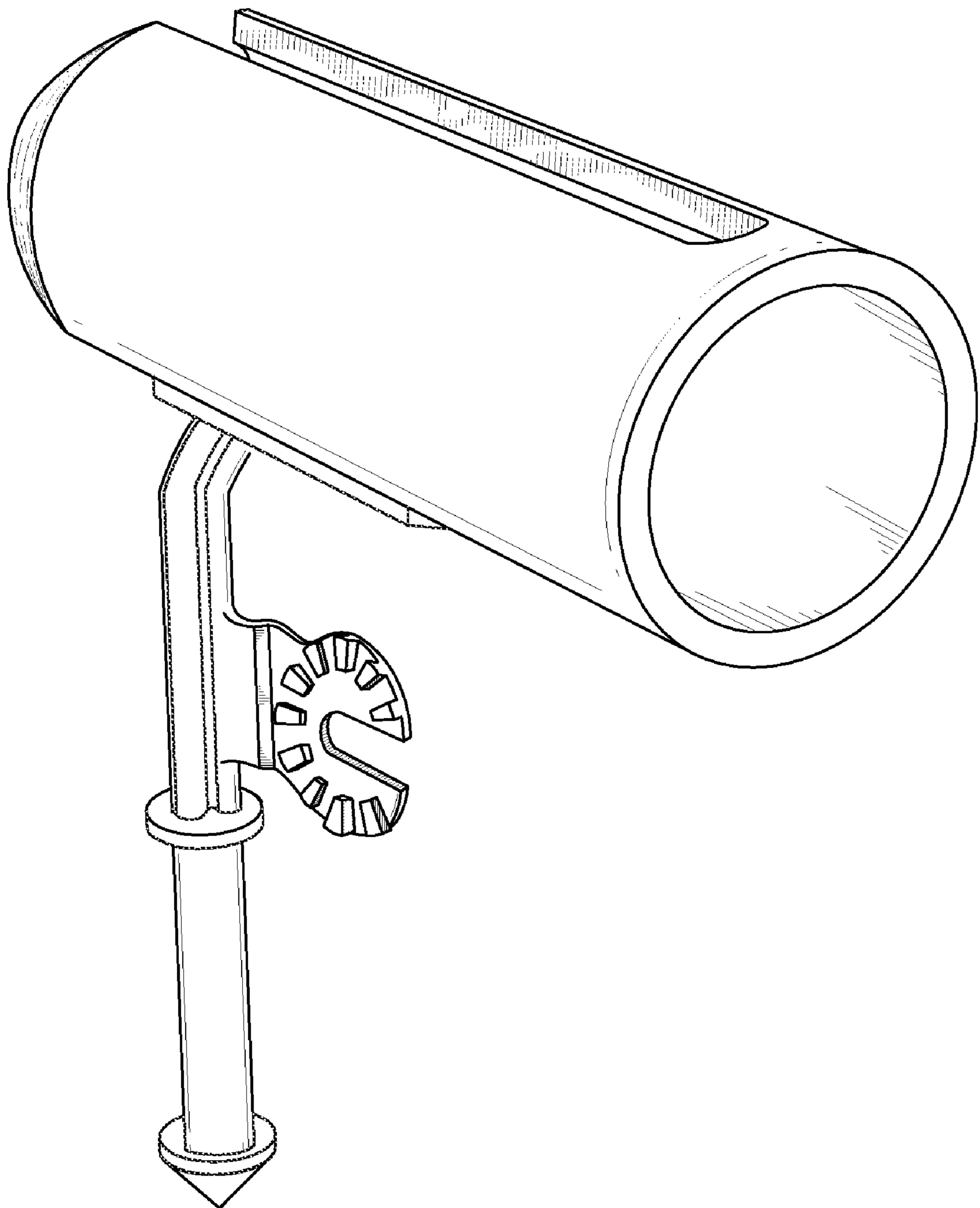


FIG. 1

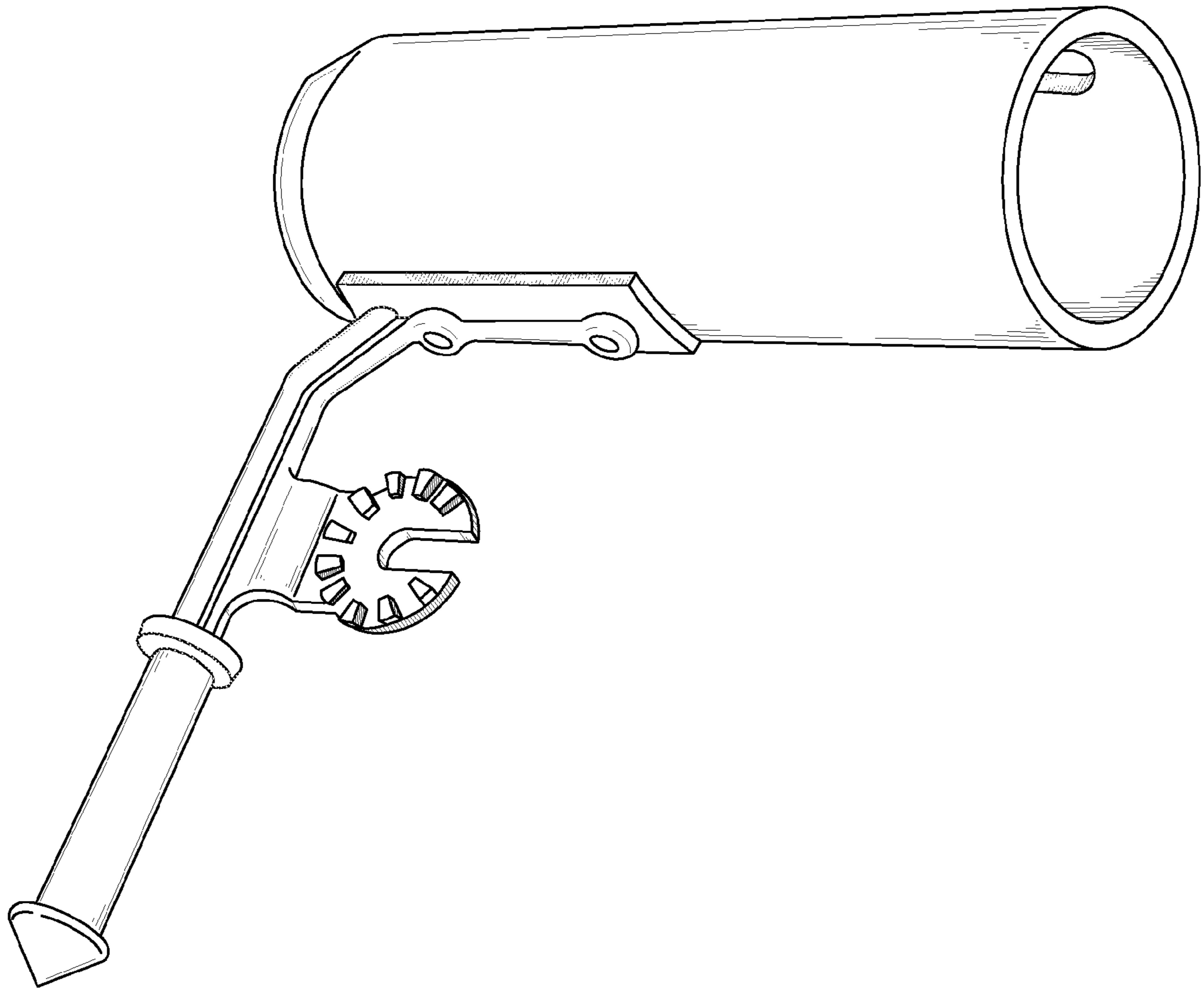


FIG. 2

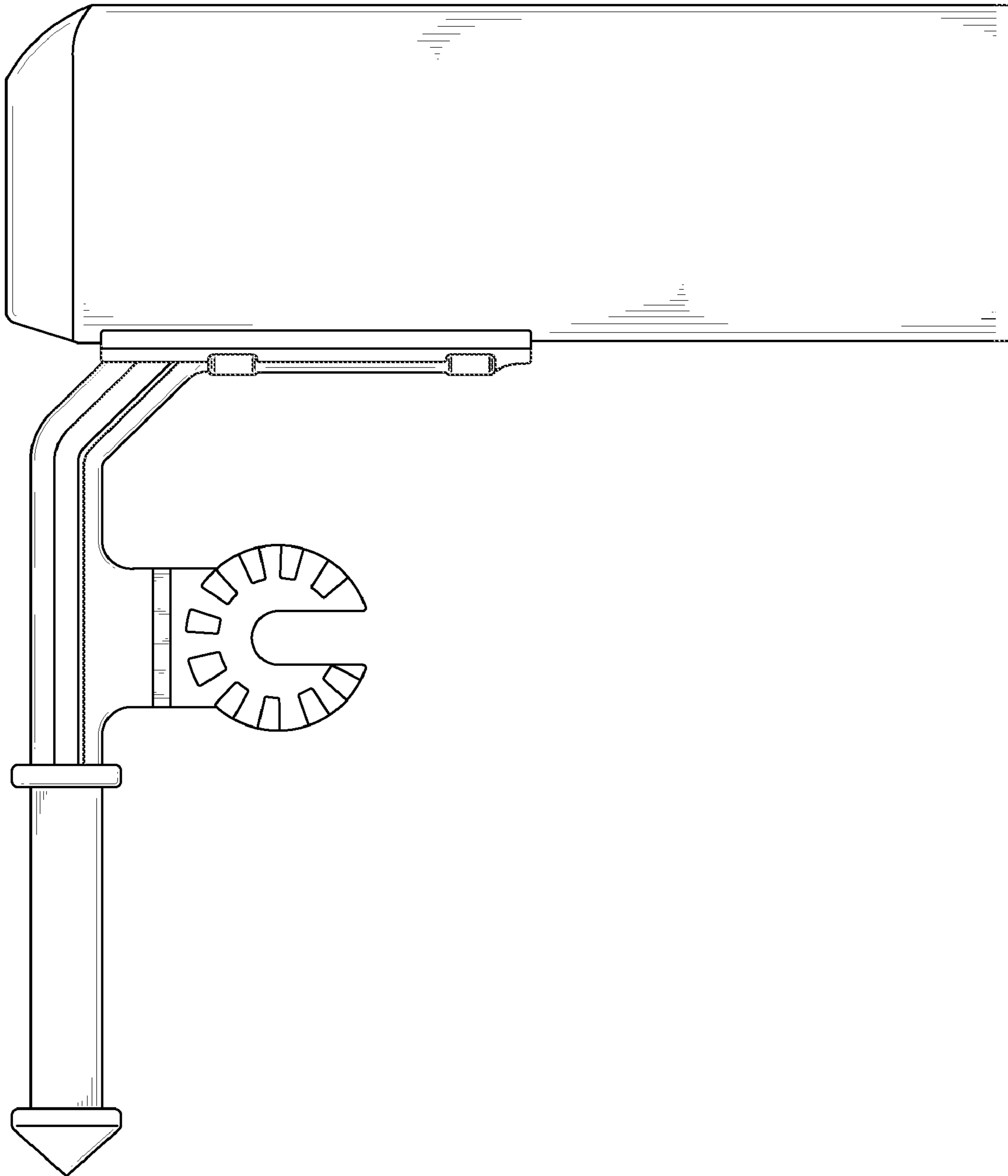


FIG. 3

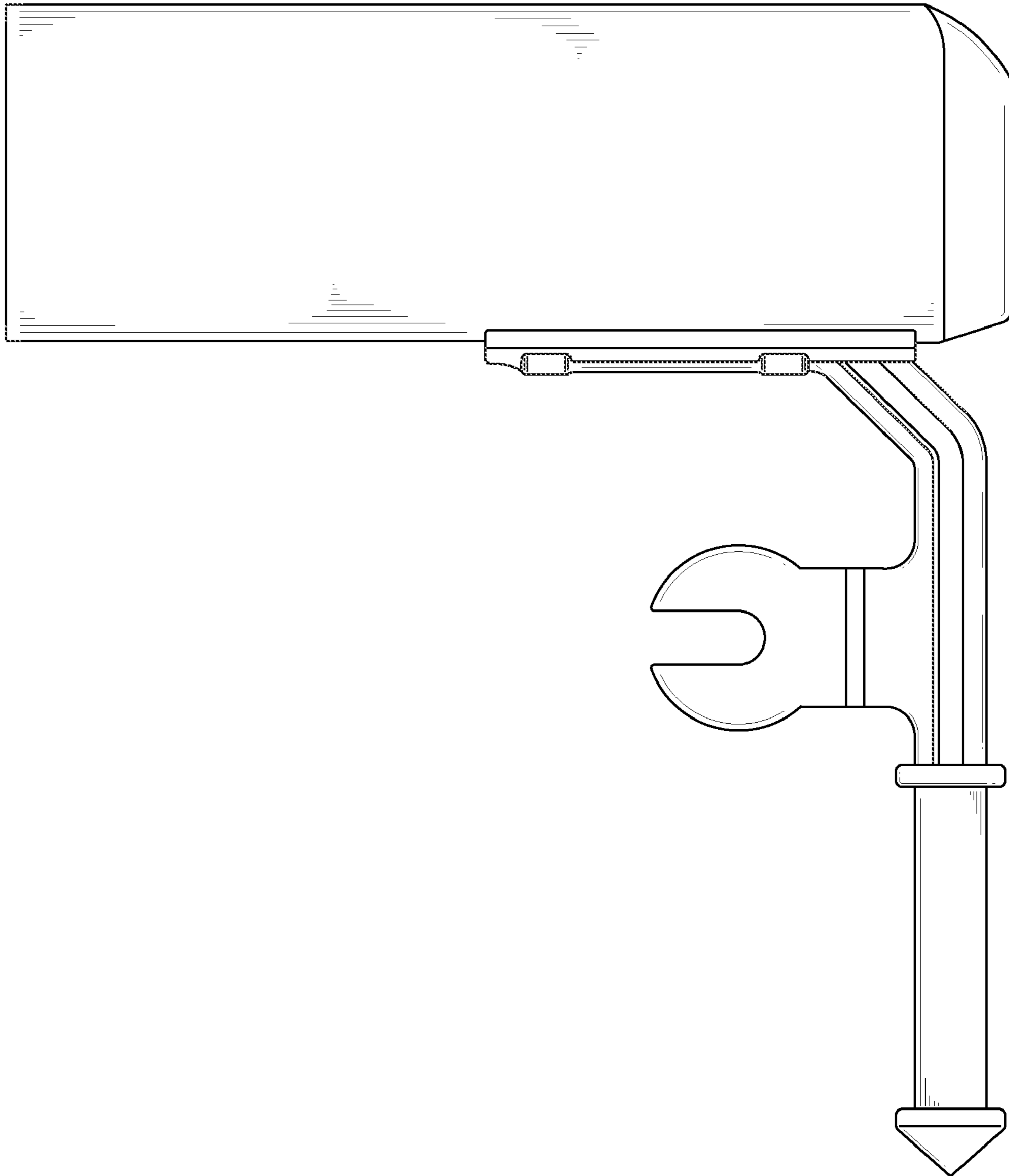


FIG. 4

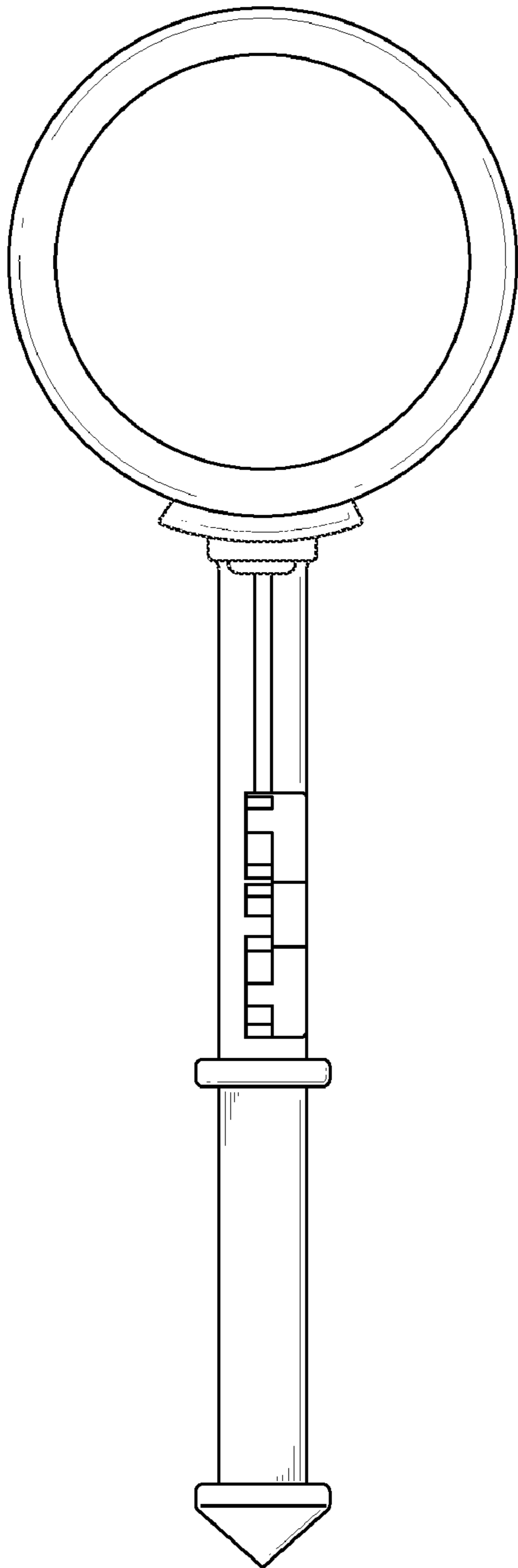


FIG. 5

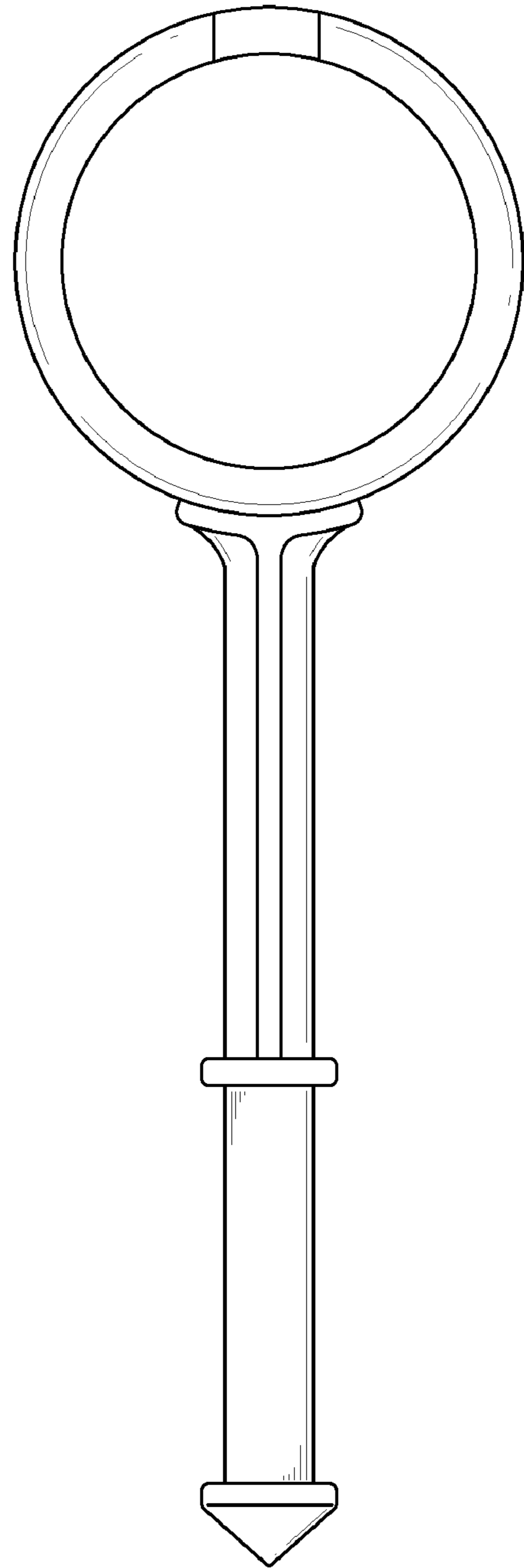


FIG. 6

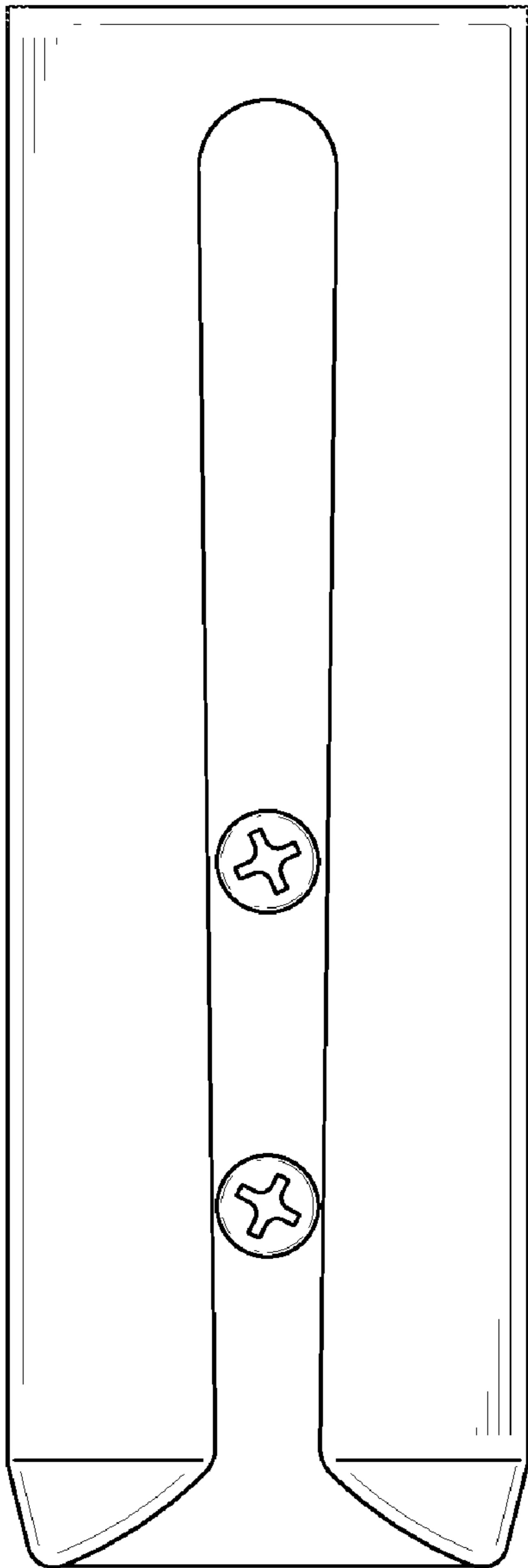


FIG. 7

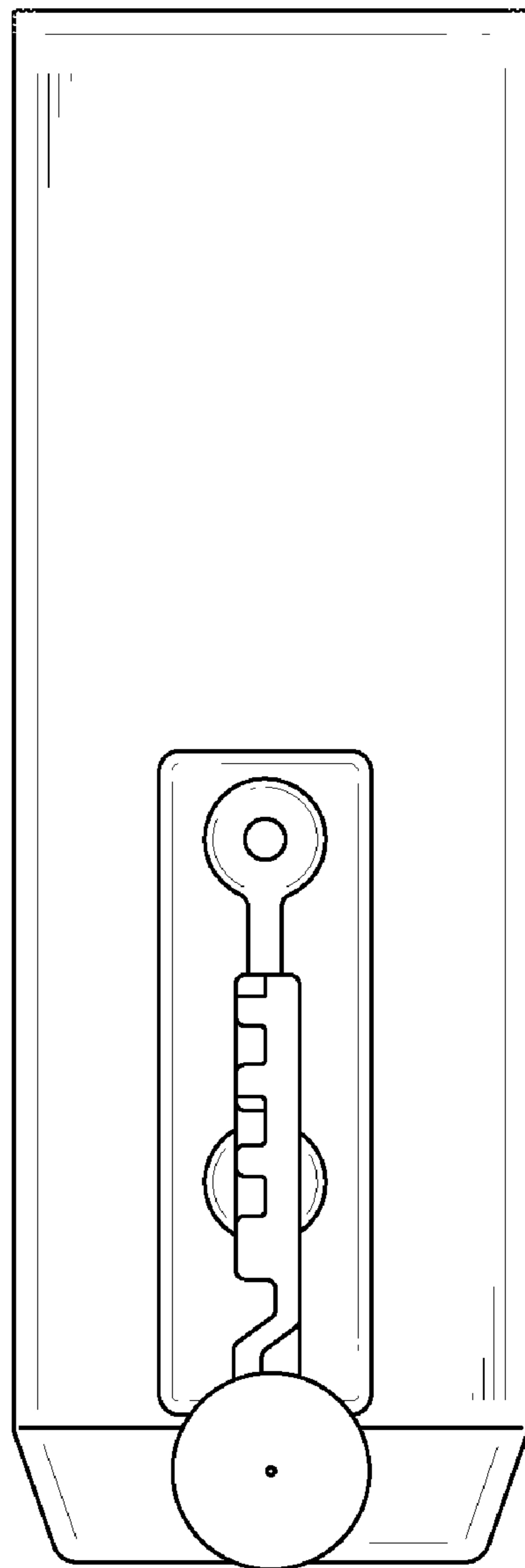


FIG. 8