



US00D605911S

(12) **United States Design Patent**  
**Lian et al.**

(10) **Patent No.:** **US D605,911 S**

(45) **Date of Patent:** **\*\* \*Dec. 15, 2009**

(54) **SILICONE REMOVER**

(76) Inventors: **Frank Lian**, Lyder Sagensgate 20,  
Bergen (NO) N-5008; **Tor André Skeie**,  
Nedre Nøttveit 42, Bergen (NO) N-5238

(\*) Notice: This patent is subject to a terminal disclaimer.

(\*\*) Term: **14 Years**

(21) Appl. No.: **29/304,747**

(22) Filed: **Mar. 7, 2008**

(51) **LOC (9) Cl.** ..... **08-05**

(52) **U.S. Cl.** ..... **D8/14**

(58) **Field of Classification Search** ..... D8/14,  
D8/51, 98, 101; 30/279.2, 280; 15/235.3,  
15/235.4, 236.01, 236.05

See application file for complete search history.

(56) **References Cited**

**U.S. PATENT DOCUMENTS**

3,744,079	A *	7/1973	Krause	.....	15/235.7
3,892,039	A *	7/1975	Fisher	.....	30/279.2
D314,696	S *	2/1991	Lucarelli	.....	D8/45
D420,882	S *	2/2000	Majolo et al.	.....	D8/98
6,035,536	A *	3/2000	Dewberry	.....	30/169
6,578,229	B1 *	6/2003	Dziallas et al.	.....	15/236.05

**OTHER PUBLICATIONS**

Two images of a silicone remover, believed manufactured by Henkel Corporation, and believed on sale in the United States before the

filing date of the present application viewable at the following internet site: <http://www.qvc.com/qic/qvcapp.aspx/view.2/app.detail/params.item.V26817.desc.Shower-in-2-Hours-Speed-Seal-Caulk-Kit>.

\* cited by examiner

*Primary Examiner*—Philip S Hyder

(74) *Attorney, Agent, or Firm*—Christian D. Abel

(57) **CLAIM**

The ornamental design for a silicone remover, as shown.

**DESCRIPTION**

FIG. 1 is a perspective view of the silicone remover according to the design

FIG. 2 is a perspective view of the silicone remover according to the design

FIG. 3 is a top view of the silicone remover according to the design

FIG. 4 is a bottom view of the silicone remover according to the design

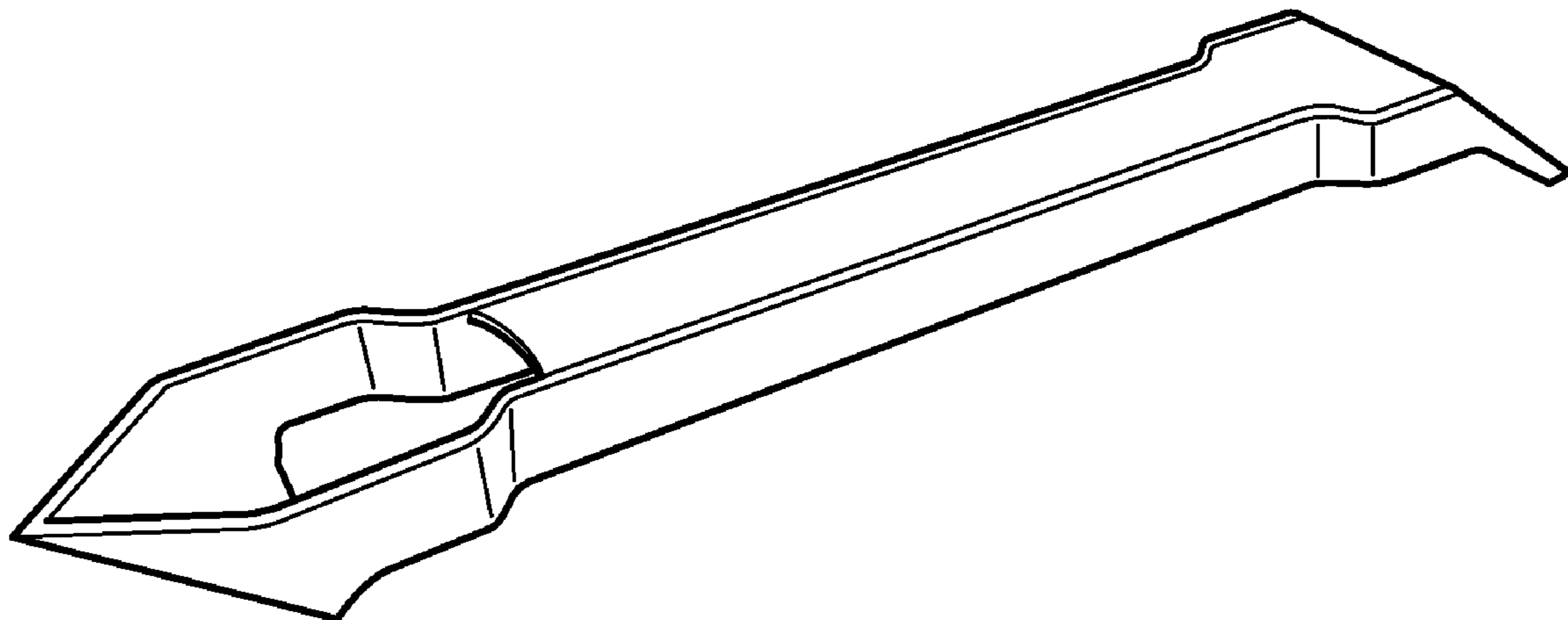
FIG. 5 is a side view of the silicone remover according to the design

FIG. 6 is a side view of the silicone remover according to the design

FIG. 7 is a front view of the silicone remover according to the design; and,

FIG. 8 is a back view of the silicone remover according to the design.

**1 Claim, 3 Drawing Sheets**



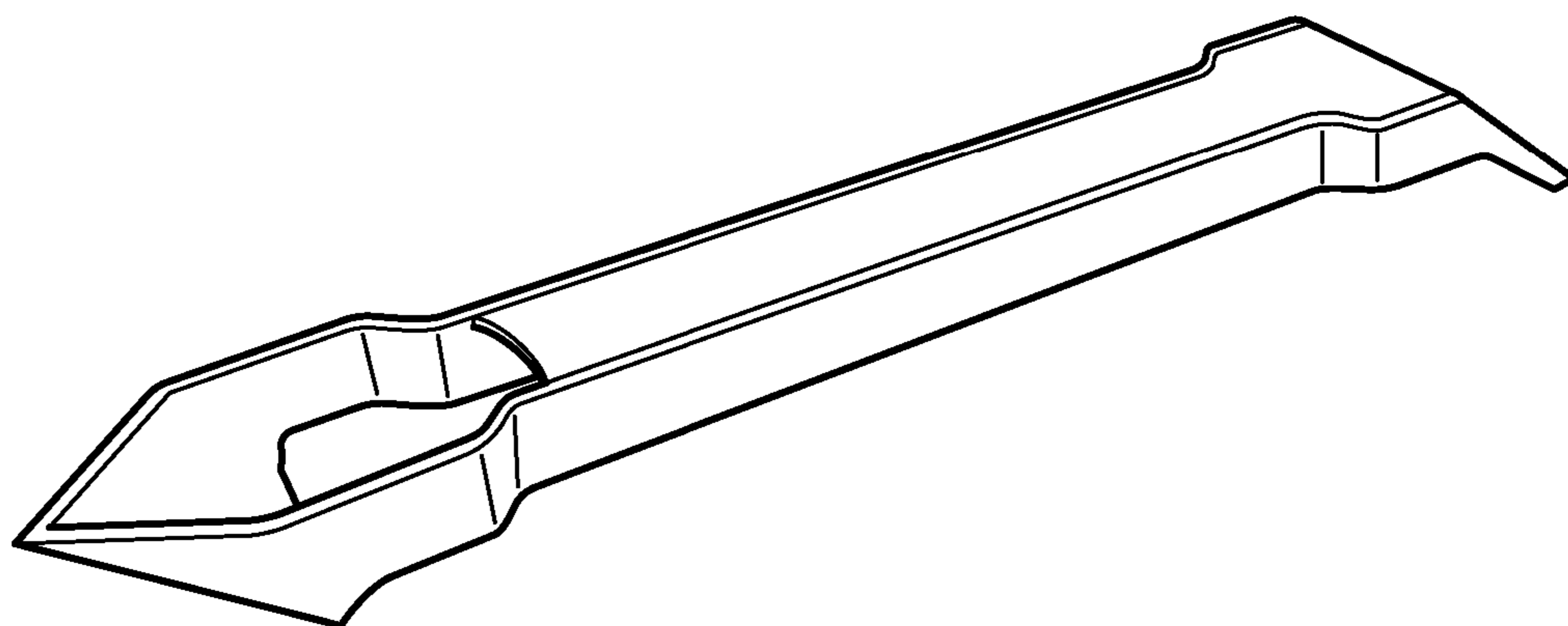


FIG. 1

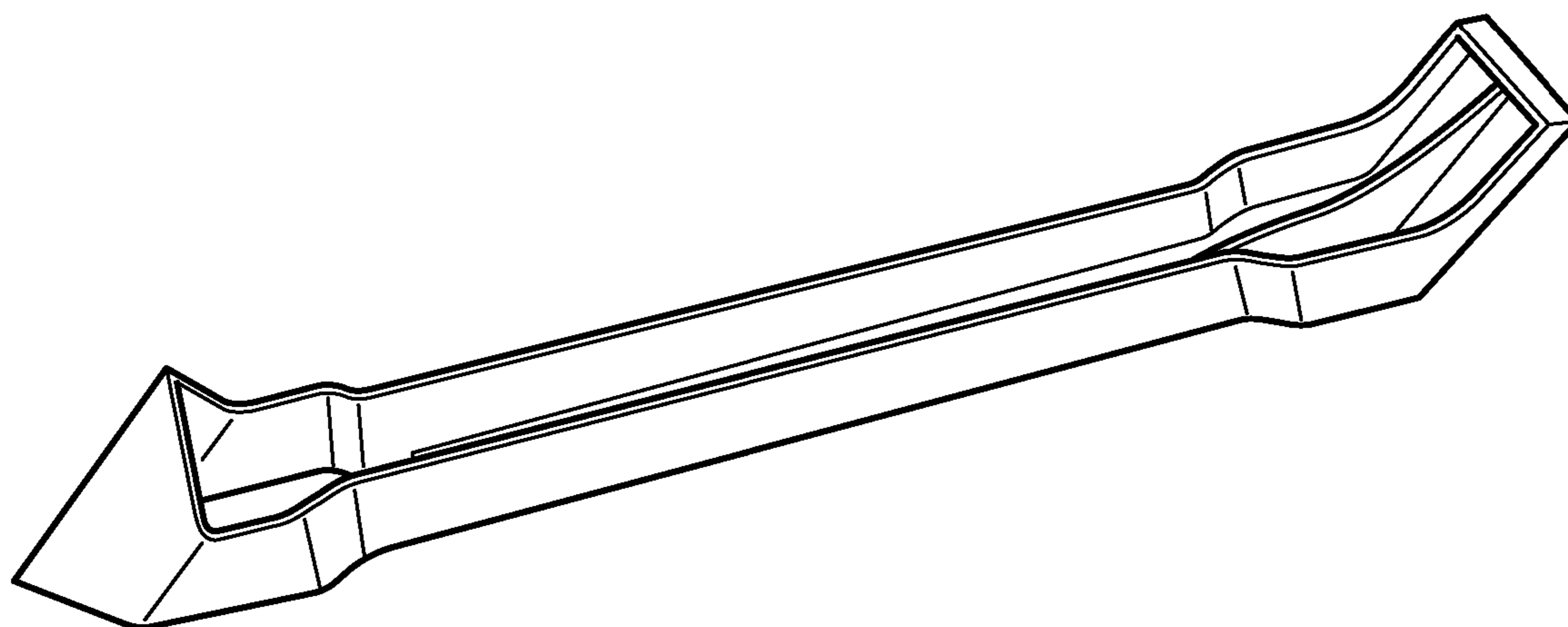


FIG. 2



FIG. 3

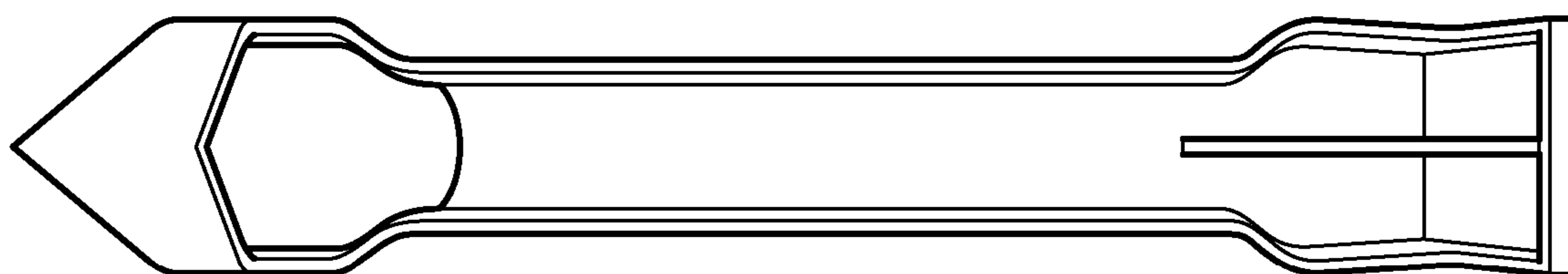


FIG. 4

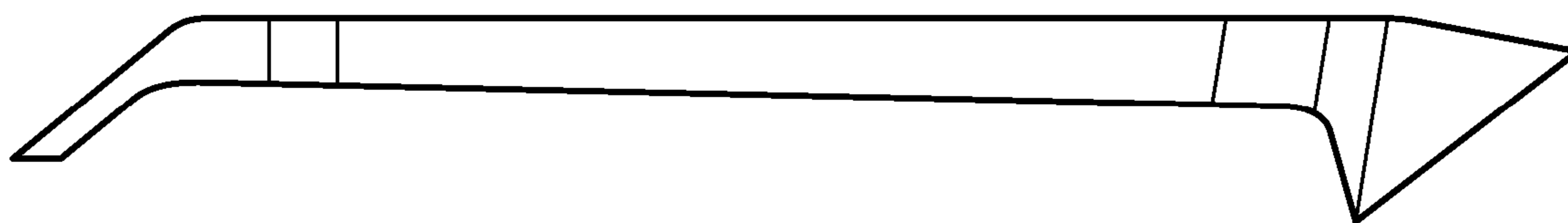


FIG. 5

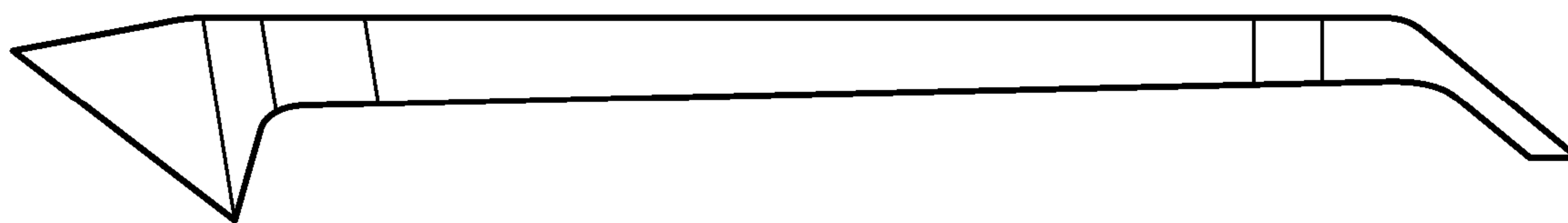


FIG. 6

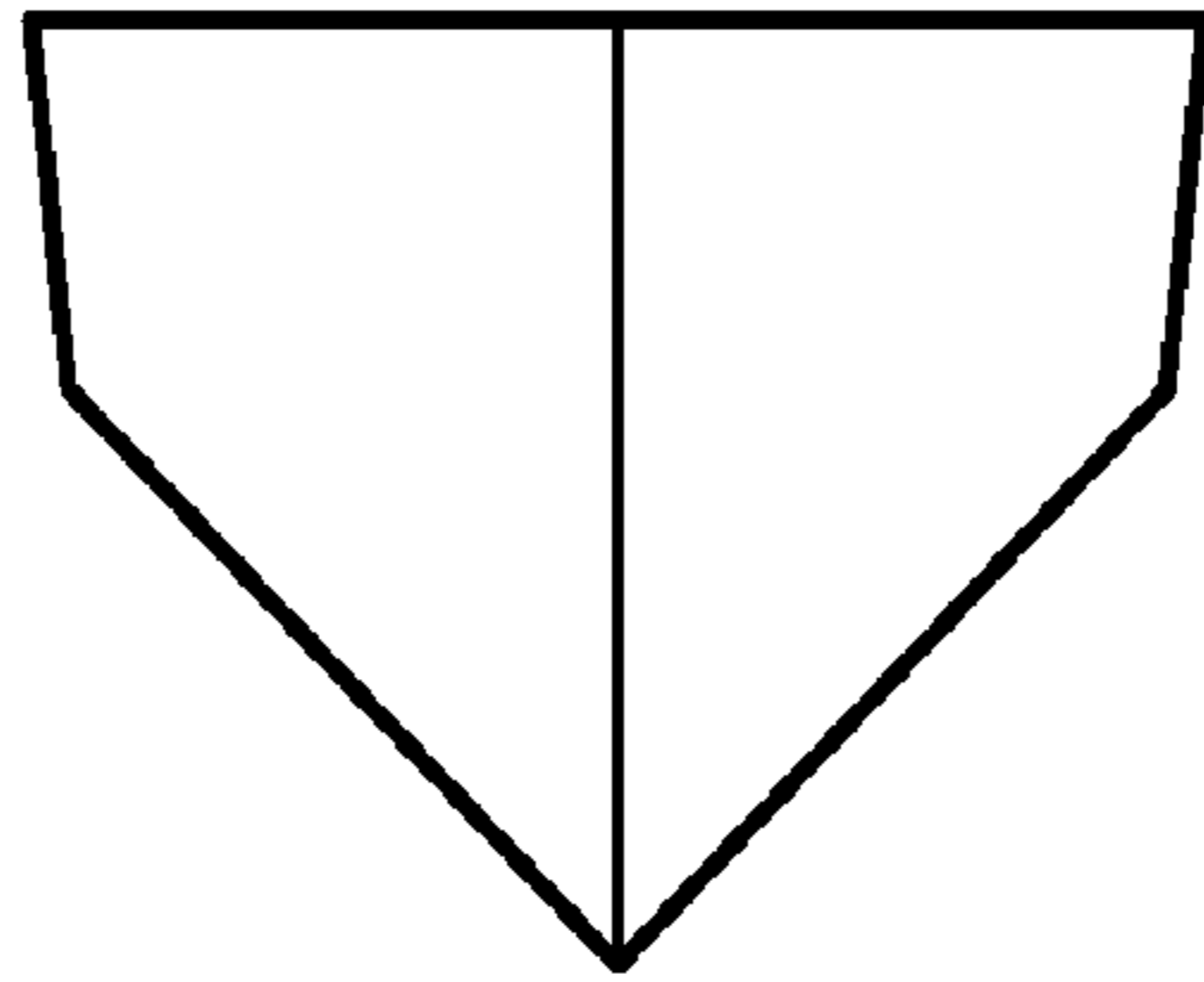


FIG. 7

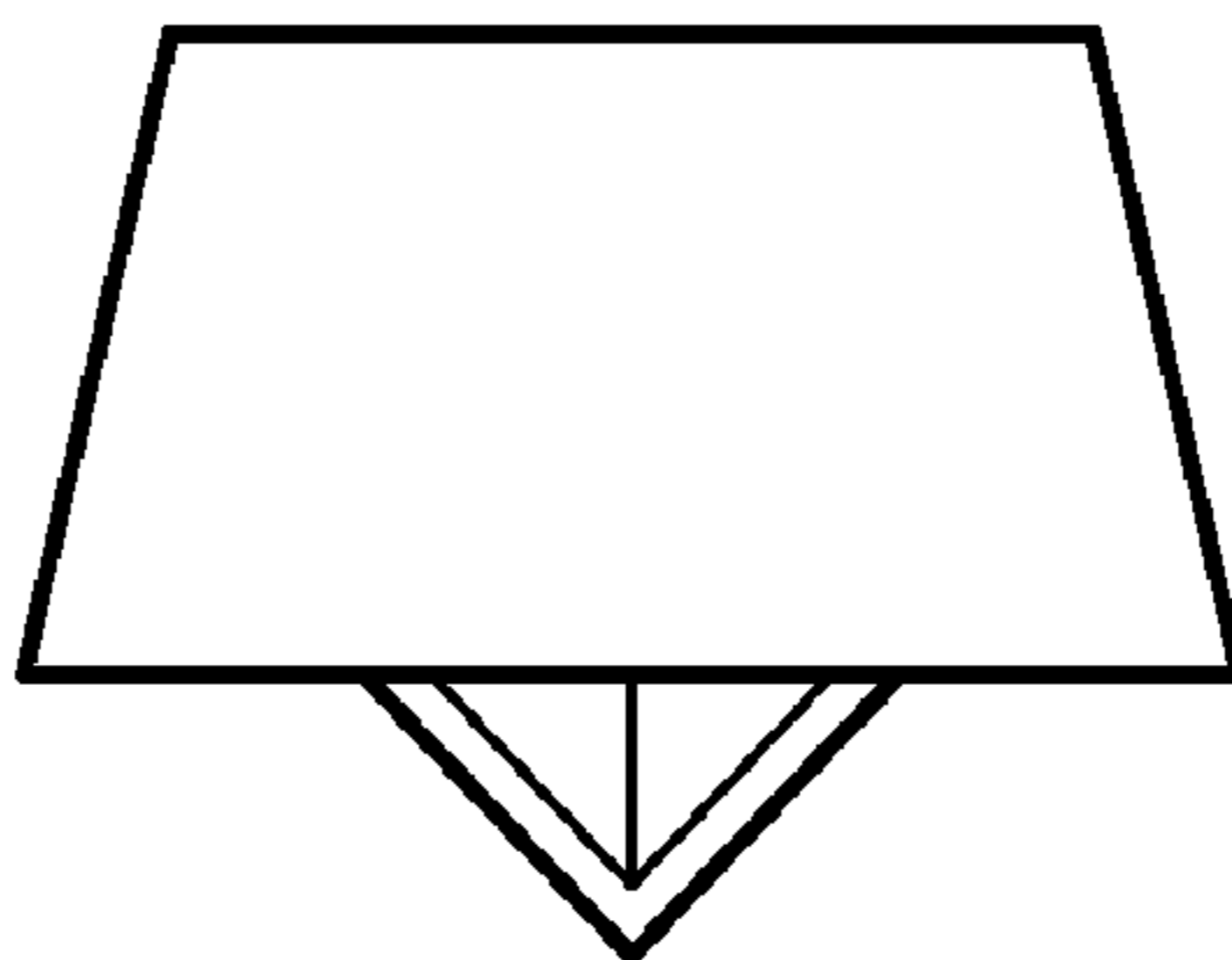


FIG. 8