



US00D605910S

(12) **United States Design Patent**
Tinius

(10) **Patent No.:** **US D605,910 S**

(45) **Date of Patent:** **** Dec. 15, 2009**

(54) **COMBINATION IMPLEMENT TOOL**

(75) Inventor: **Michael Tinius**, Ulm (DE)

(73) Assignee: **Andreas Stihl AG & Co. KG**,
Waiblingen (DE)

(**) Term: **14 Years**

(21) Appl. No.: **29/331,371**

(22) Filed: **Jan. 23, 2009**

(30) **Foreign Application Priority Data**

Jul. 25, 2008 (EM) 000977368-0002

(51) **LOC (9) Cl.** **08-01**

(52) **U.S. Cl.** **D8/8**

(58) **Field of Classification Search** D8/8,
D8/9, 107; 56/12.7; 30/276; 172/13, 14
See application file for complete search history.

(56) **References Cited**

U.S. PATENT DOCUMENTS

D347,772 S *	6/1994	Kiyooka et al.	D8/8
D356,013 S *	3/1995	Kiyooka et al.	D8/8
D361,702 S *	8/1995	Kidwell et al.	D8/8
D482,942 S *	12/2003	Ohi et al.	D8/8
6,810,967 B1 *	11/2004	Phillips	172/13
D506,653 S *	6/2005	Elsworthy	D8/8
D596,000 S *	7/2009	Klingbeil	D8/8

* cited by examiner

Primary Examiner—Holly H Baynham

Assistant Examiner—Sheryl Lane

(74) *Attorney, Agent, or Firm*—McGuireWoods LLP

(57) **CLAIM**

I claim the ornamental design for a combination implement tool, as shown and described.

DESCRIPTION

FIG. 1 is a top view of the combination implement tool;

FIG. 2 is a left side perspective view of the combination implement tool shown in FIG. 1;

FIG. 3 is an enlarged partial front detail view of the combination implement tool shown in FIG. 1;

FIG. 4 is a rear view of the combination implement tool as shown in FIG. 1;

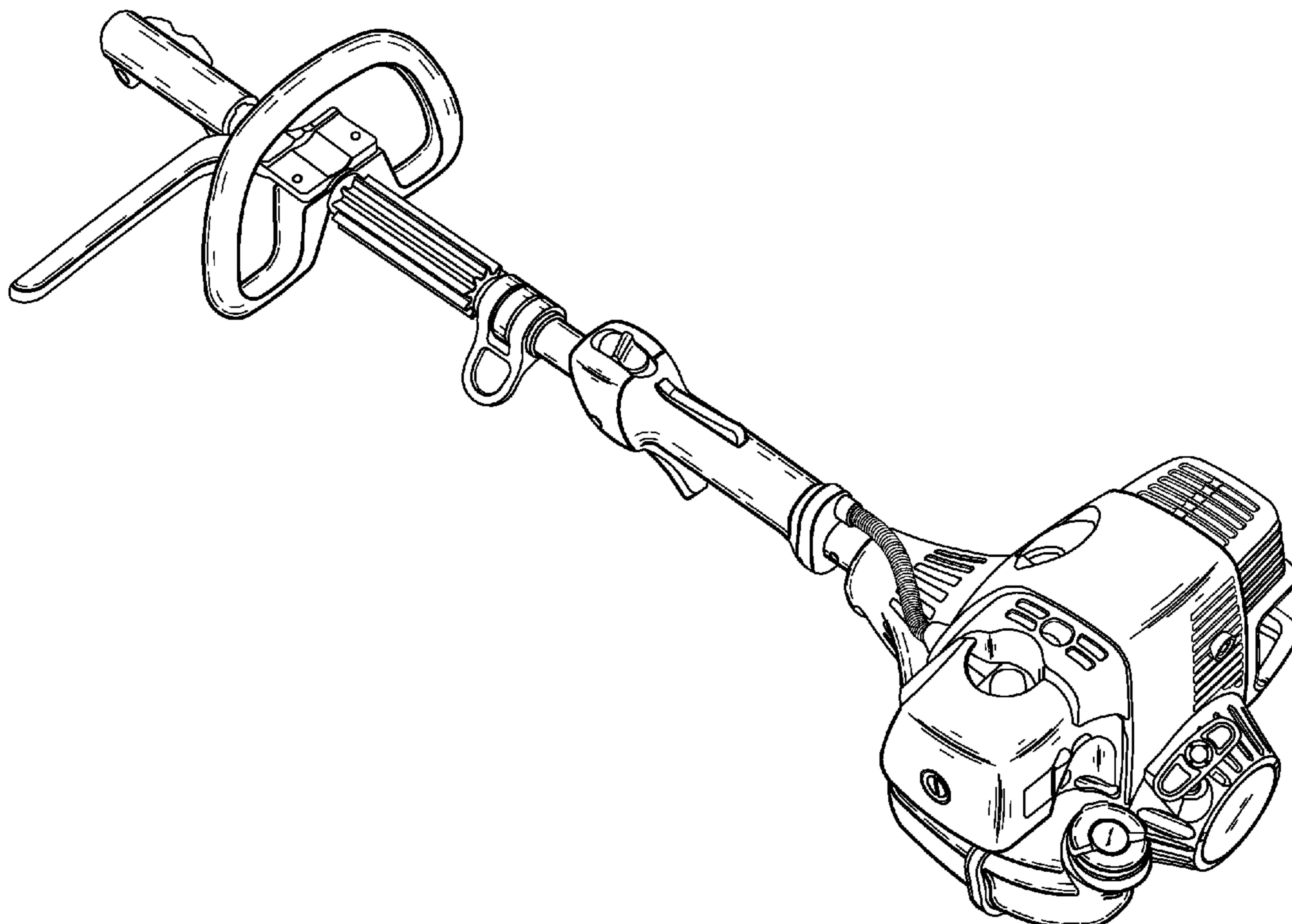
FIG. 5 is an enlarged partial top view of the combination implement tool as shown in FIG. 1;

FIG. 6 is an enlarged partial left side detail view of the combination implement tool as shown in FIG. 1; and,

FIG. 7 is an enlarged partial rear detail view of the combination implement tool as shown in FIG. 1. The handle of the pull string being rotated 90 degrees.

The views of FIGS. 3, 5, 6 and 7 are shown fragmented for clarity of illustration.

1 Claim, 7 Drawing Sheets



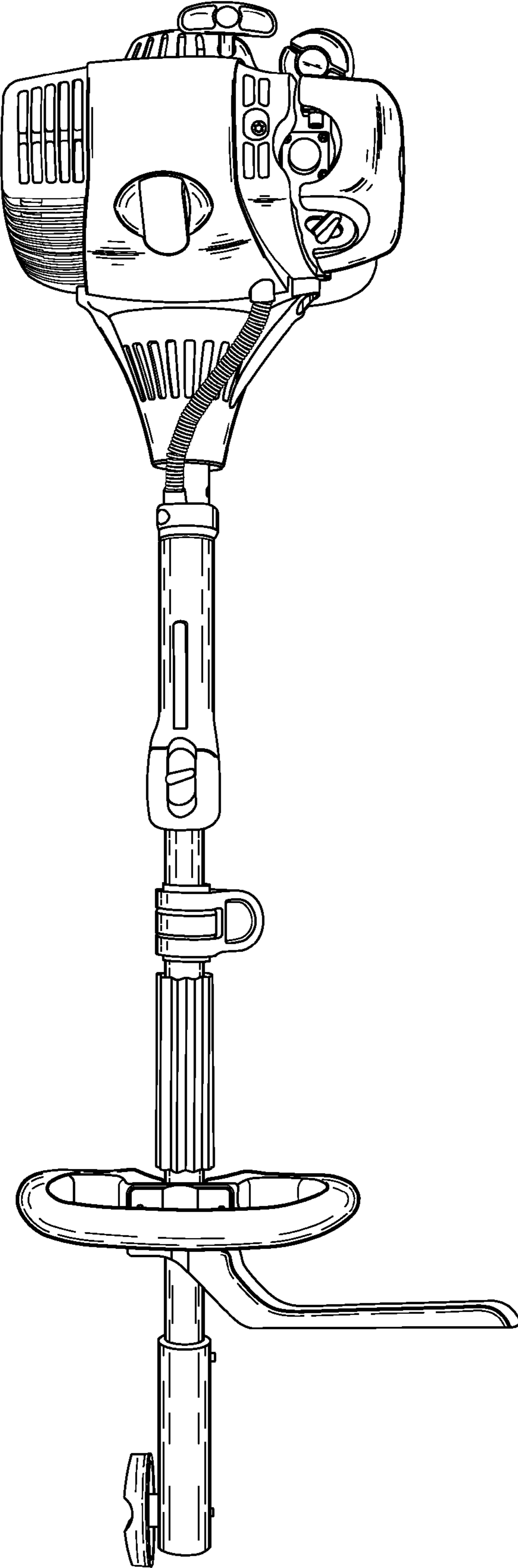


FIG. 1

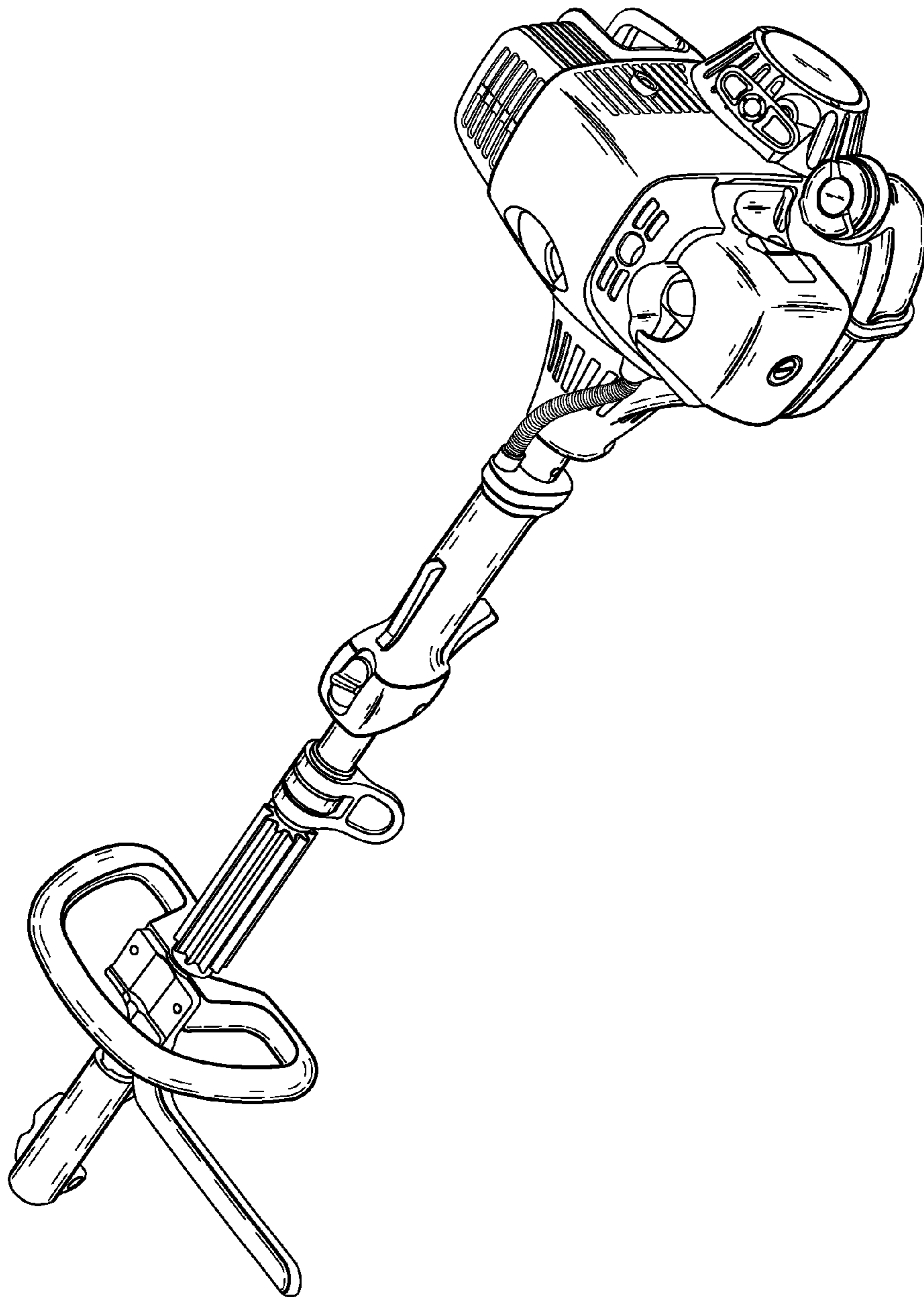


FIG. 2

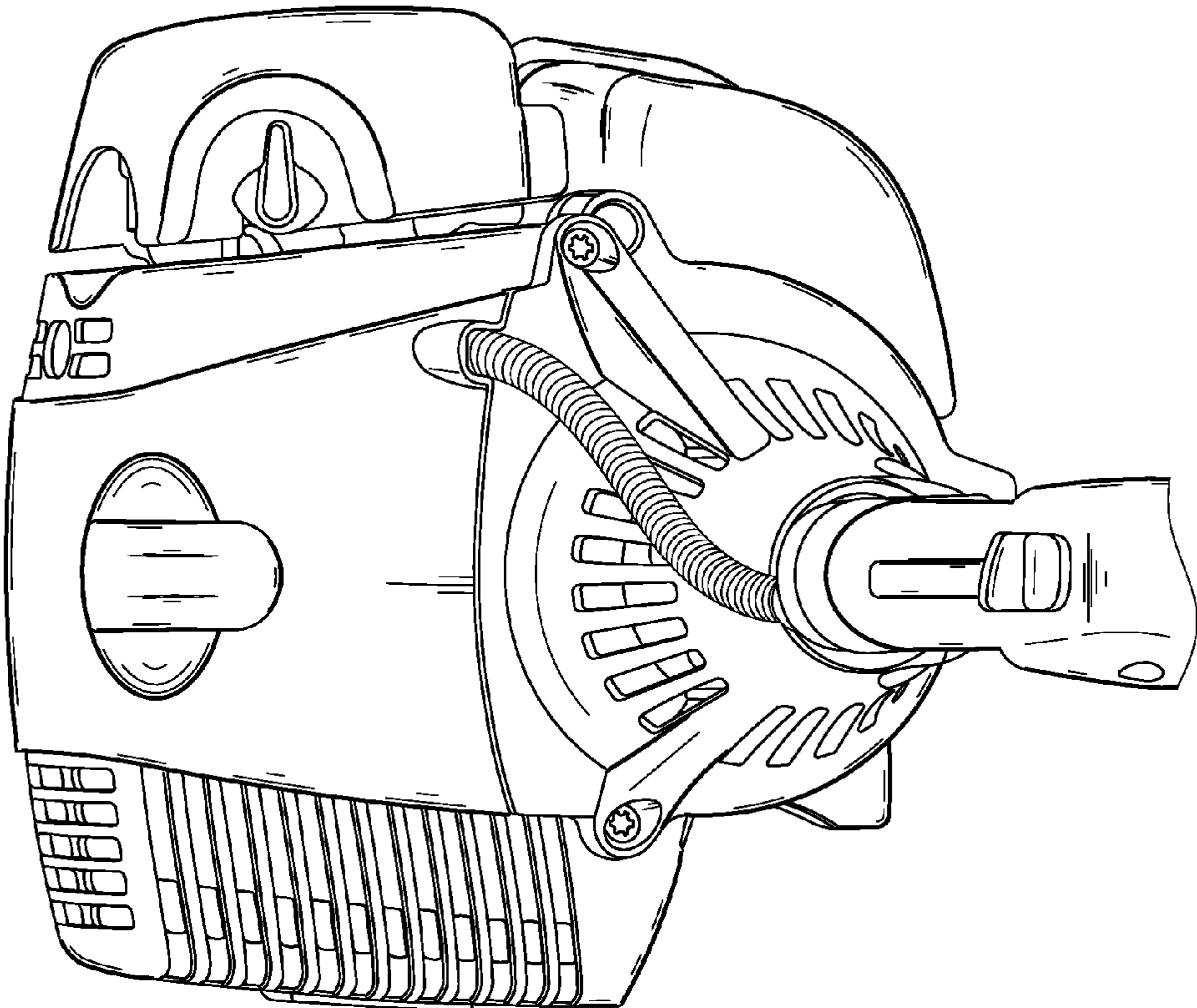


FIG. 3

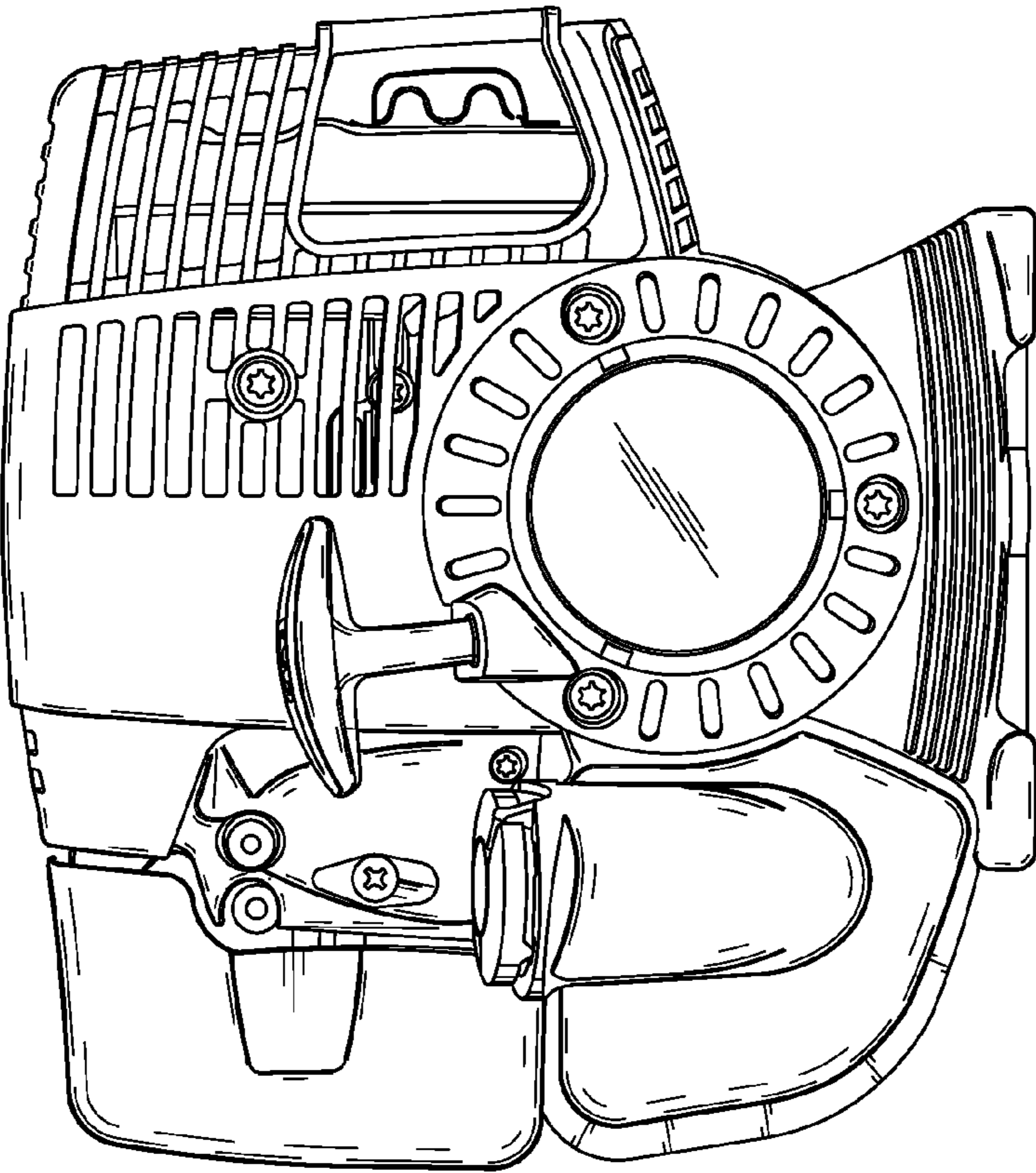


FIG. 4

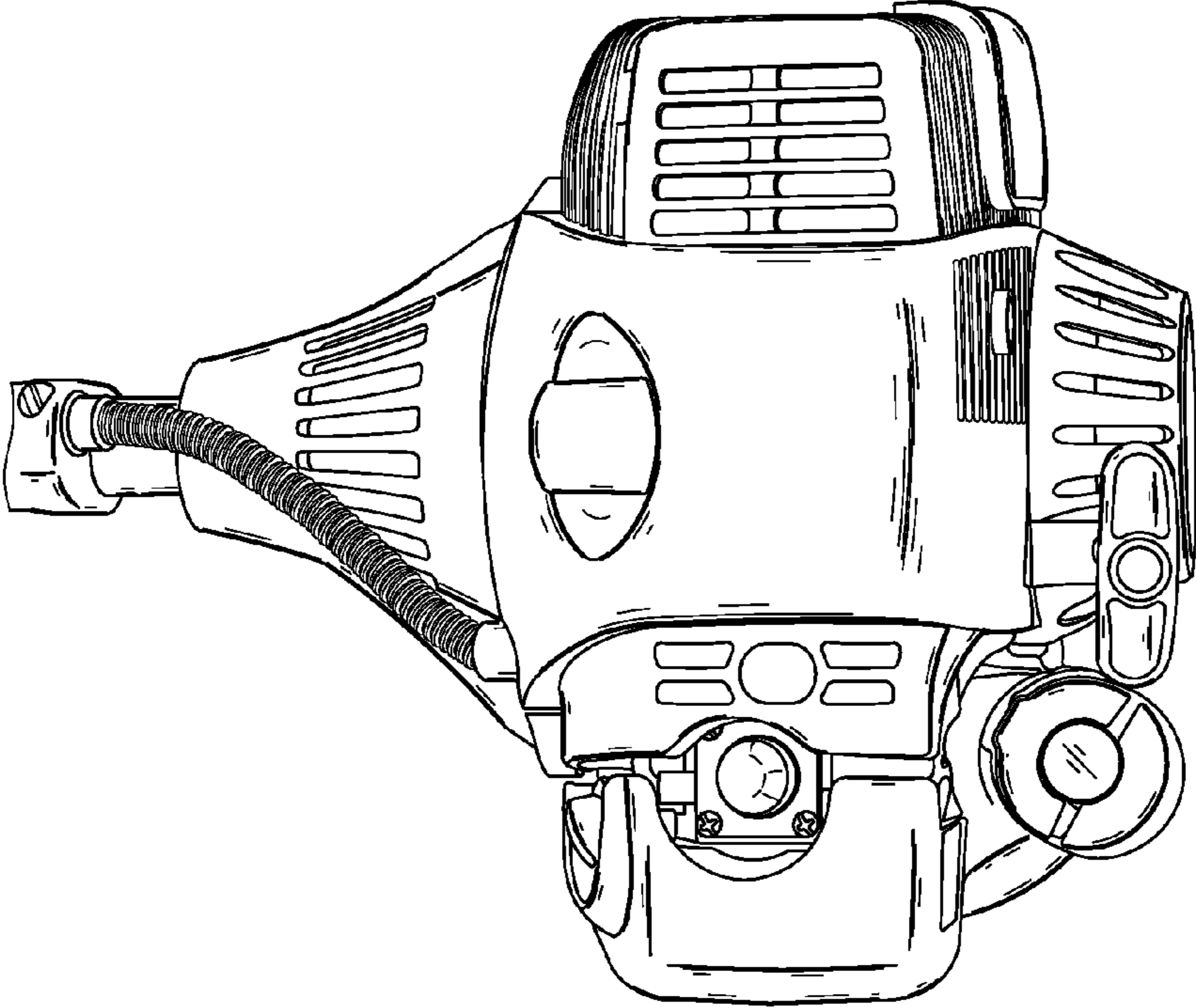


FIG. 5

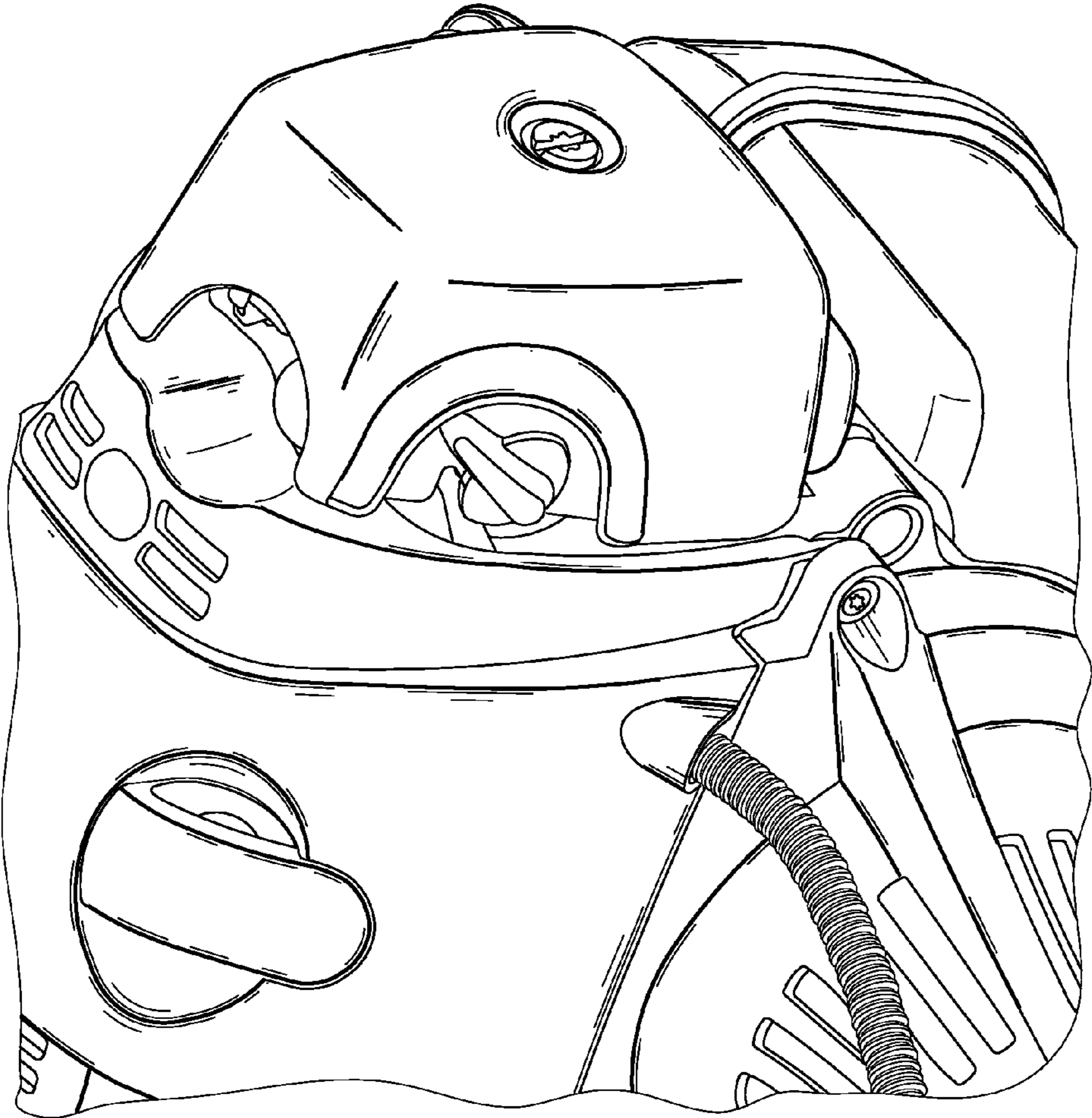


FIG. 6

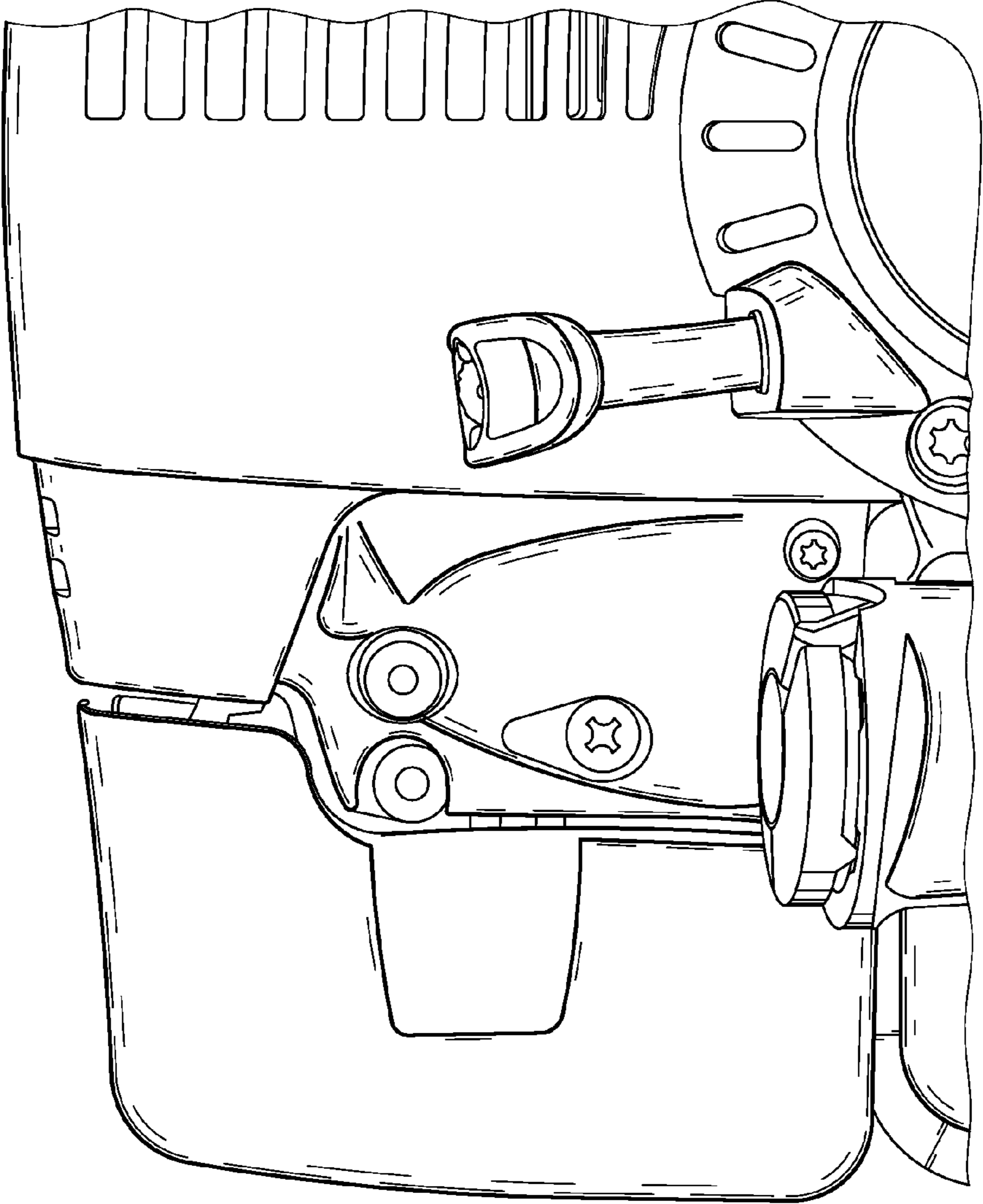


FIG. 7