



US00D605909S

(12) **United States Design Patent**
Wax

(10) **Patent No.:** **US D605,909 S**

(45) **Date of Patent:** **** Dec. 15, 2009**

(54) **STEMWARE HOLDER**

D447,393 S * 9/2001 Bodum D7/707
D498,993 S * 11/2004 Grosshans D7/704

(76) Inventor: **Barry Wax**, P.O. Box 1214, Sandia Park,
NM (US) 87047

* cited by examiner

(**) Term: **14 Years**

Primary Examiner—Terry A Wallace

(74) *Attorney, Agent, or Firm*—Janeen Vilven Peacock
Myers, P.C.

(21) Appl. No.: **29/305,234**

(22) Filed: **Mar. 16, 2008**

(57) **CLAIM**

(51) **LOC (9) Cl.** **07-06**

The ornamental design for a stemware holder, as shown and
described.

(52) **U.S. Cl.** **D7/704**

(58) **Field of Classification Search** D7/701–708,
D7/637–641; D6/462, 467; 211/74, 85.31,
211/181.1, 75, 13.1, 30, 33, 77, 70, 71.01,
211/78, 70.6, 70.7; 248/311.2, 311.3

DESCRIPTION

See application file for complete search history.

FIG. 1 is a perspective view of a stemware holder showing my
new design;

FIG. 2 is a top plan view thereof;

FIG. 3 is a bottom plan view thereof;

FIG. 4 is a front plan view thereof;

FIG. 5 is a side plan view thereof;

(56) **References Cited**

U.S. PATENT DOCUMENTS

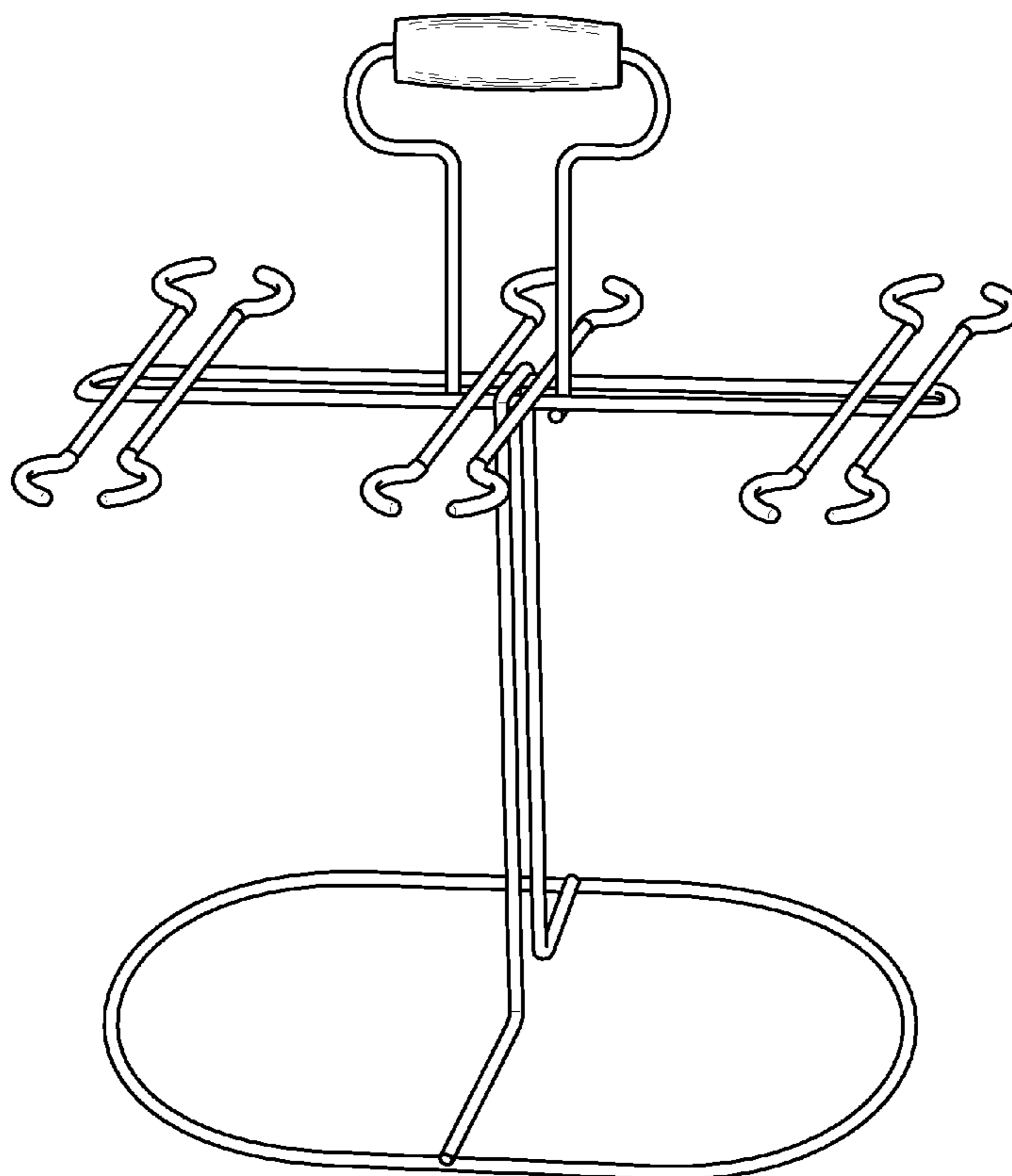
1,259,623	A *	3/1918	Herrick	211/70
1,914,371	A *	6/1933	Hutt	211/70.6
2,890,801	A *	6/1959	Ladd et al.	211/70.7
4,589,556	A *	5/1986	Peretz	248/311.3
D299,805	S *	2/1989	Pifher	D7/641
4,860,895	A	8/1989	Iaslovits		
D352,870	S *	11/1994	Eriksen	D7/708
5,558,236	A	9/1996	Williams et al.		
5,715,953	A	2/1998	Brown		
D393,783	S *	4/1998	Goodman	D7/704
D404,980	S *	2/1999	Goodman	D7/704

FIG. 6 is a front plan view illustrating the stemware holder
holding a piece of stemware in the upright position; and,

FIG. 7 is a front plan view illustrating the stemware holder
holding a piece of stemware in the inverted position.

The broken line showing of the stemware in FIGS. 6 and 7 is
for the purpose of illustrating the environment related to the
claimed design and forms no part of the claimed design.

1 Claim, 6 Drawing Sheets



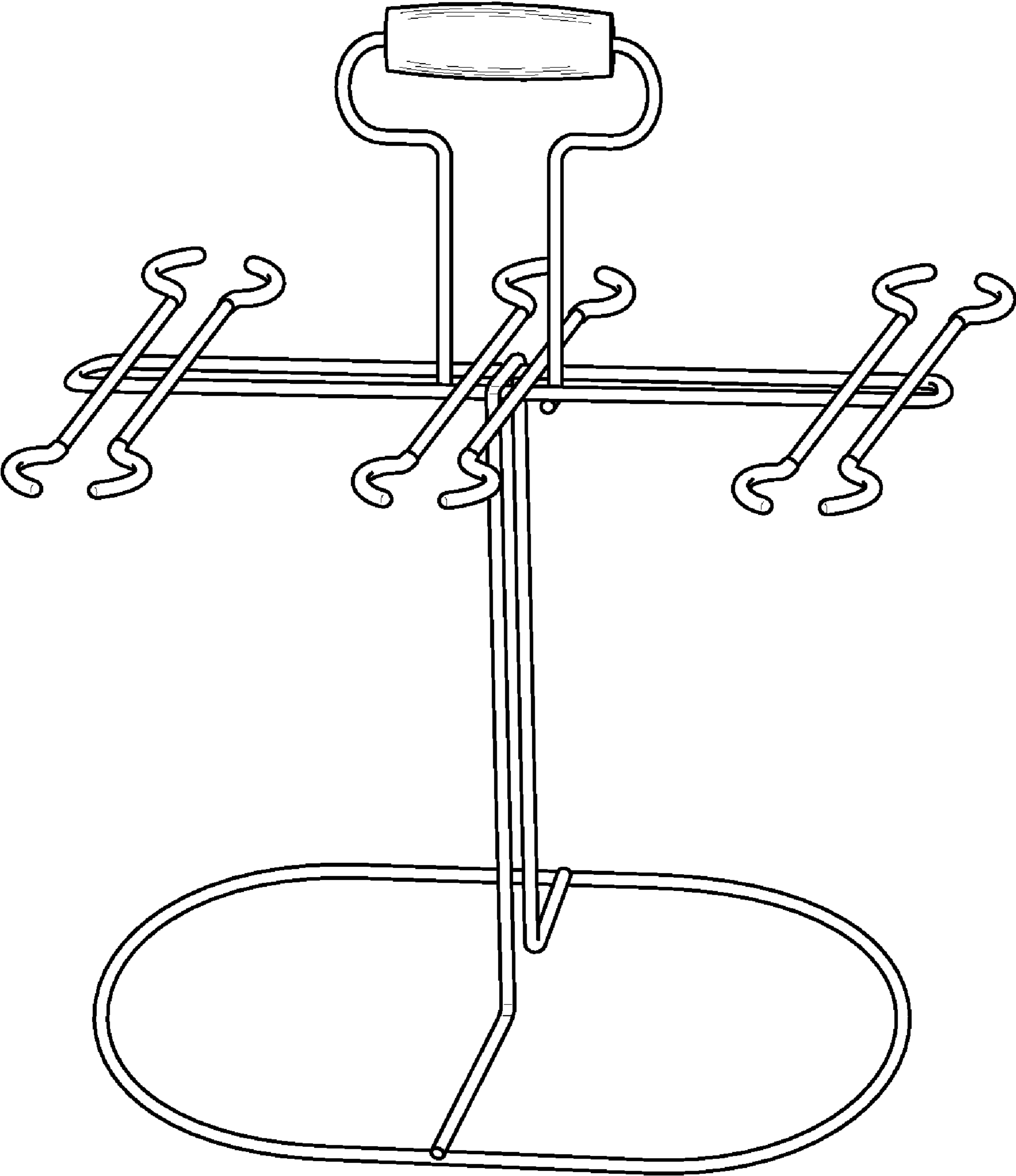


FIG. 1

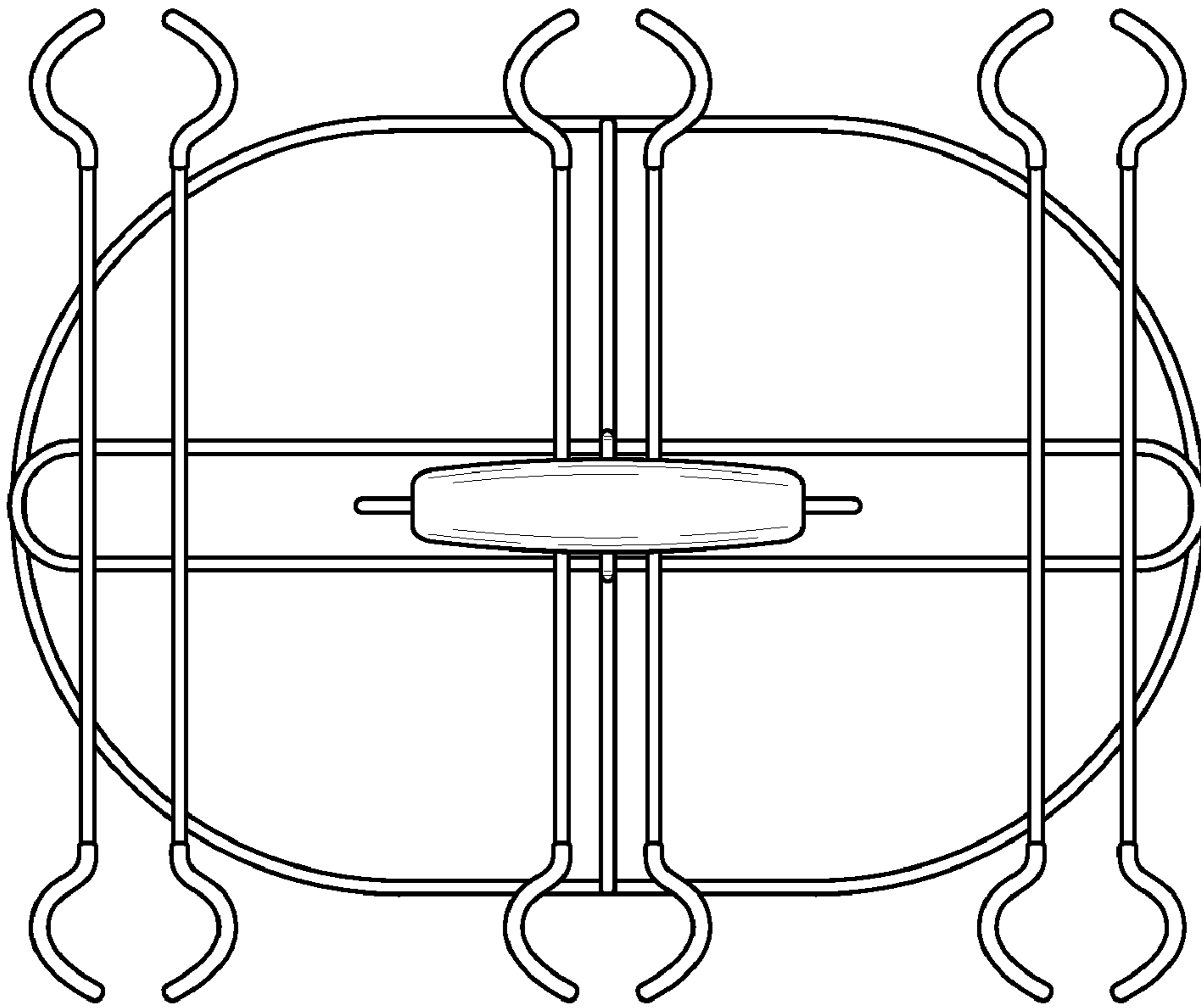


FIG. 2

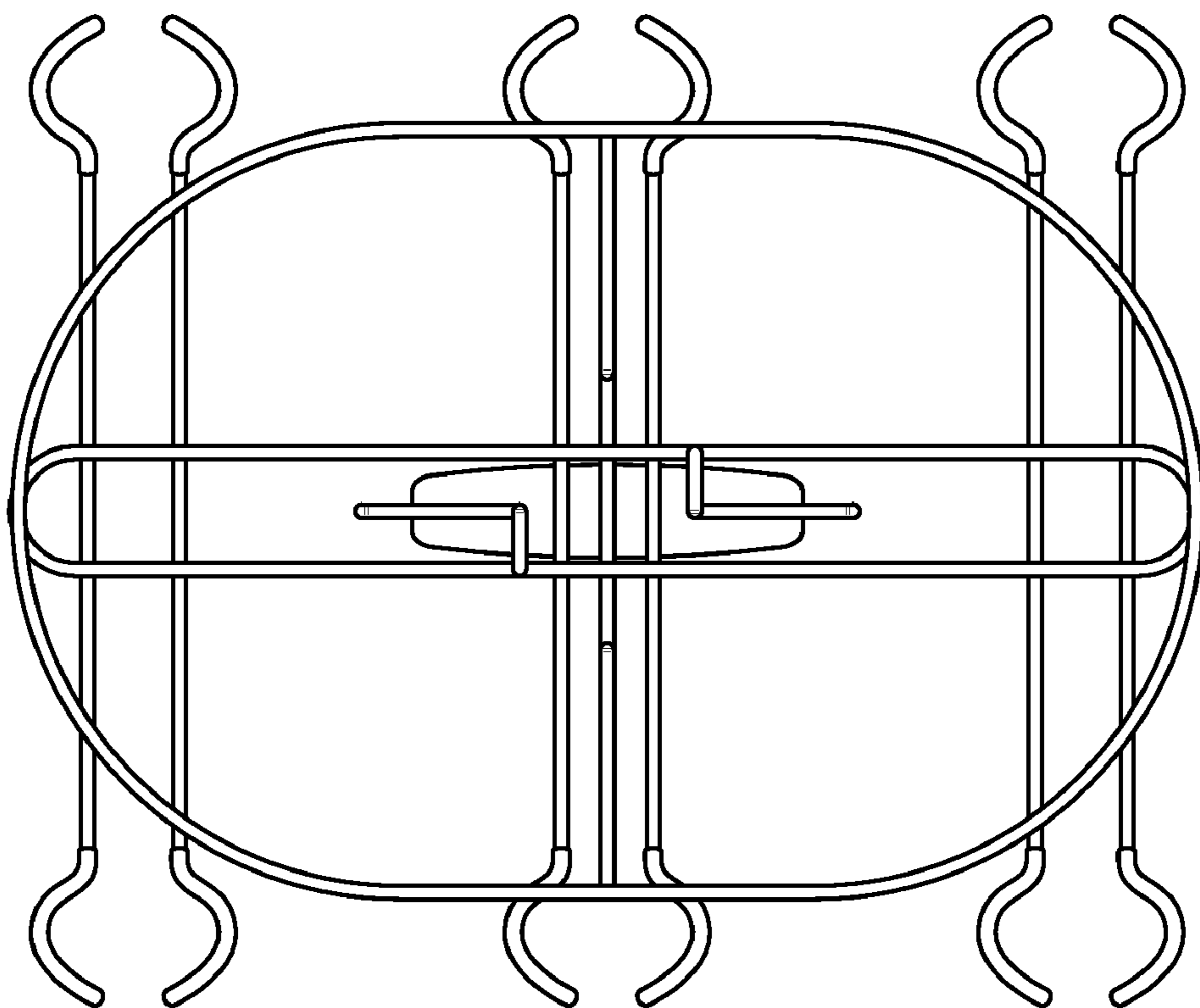


FIG. 3

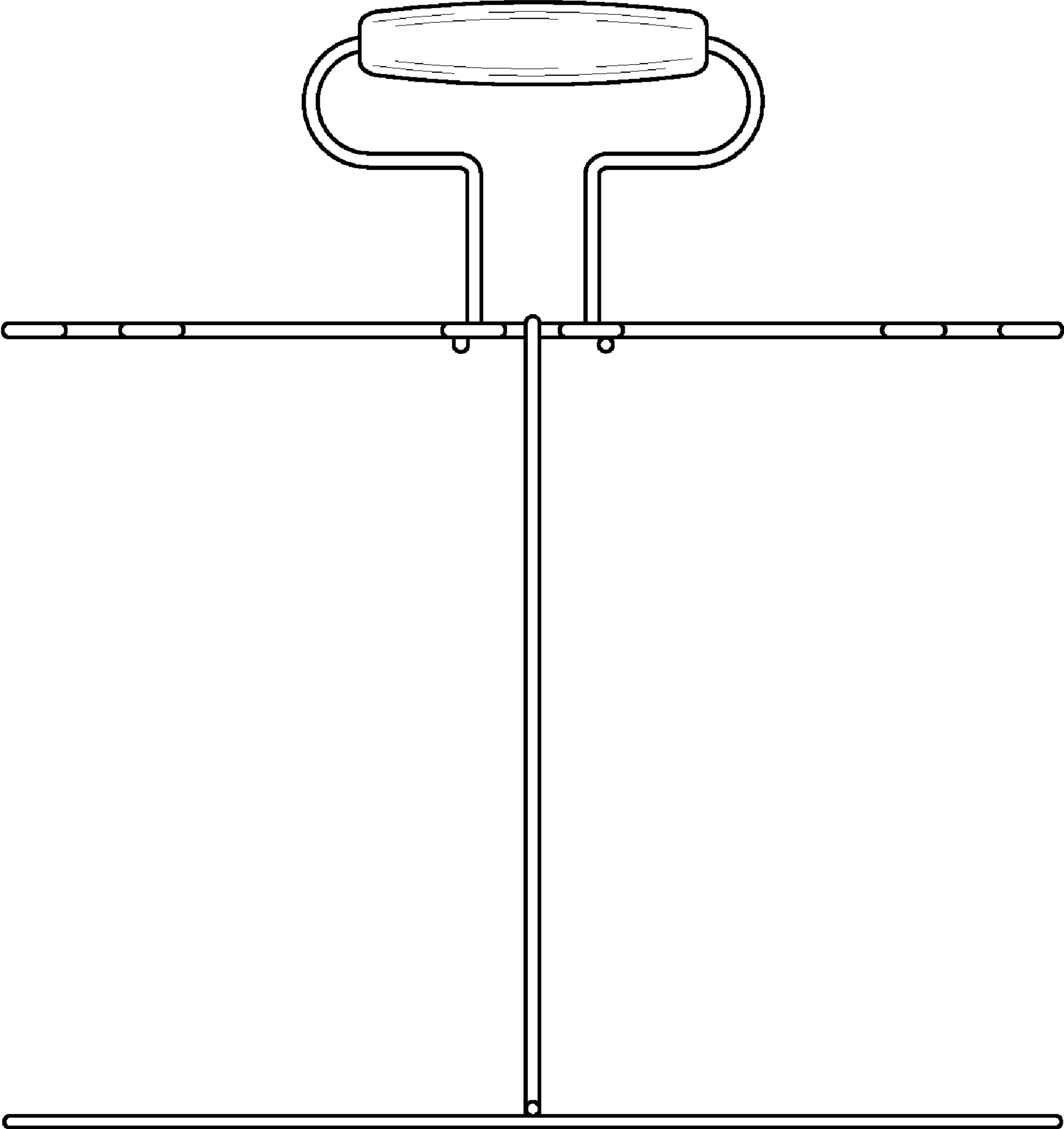


FIG. 4

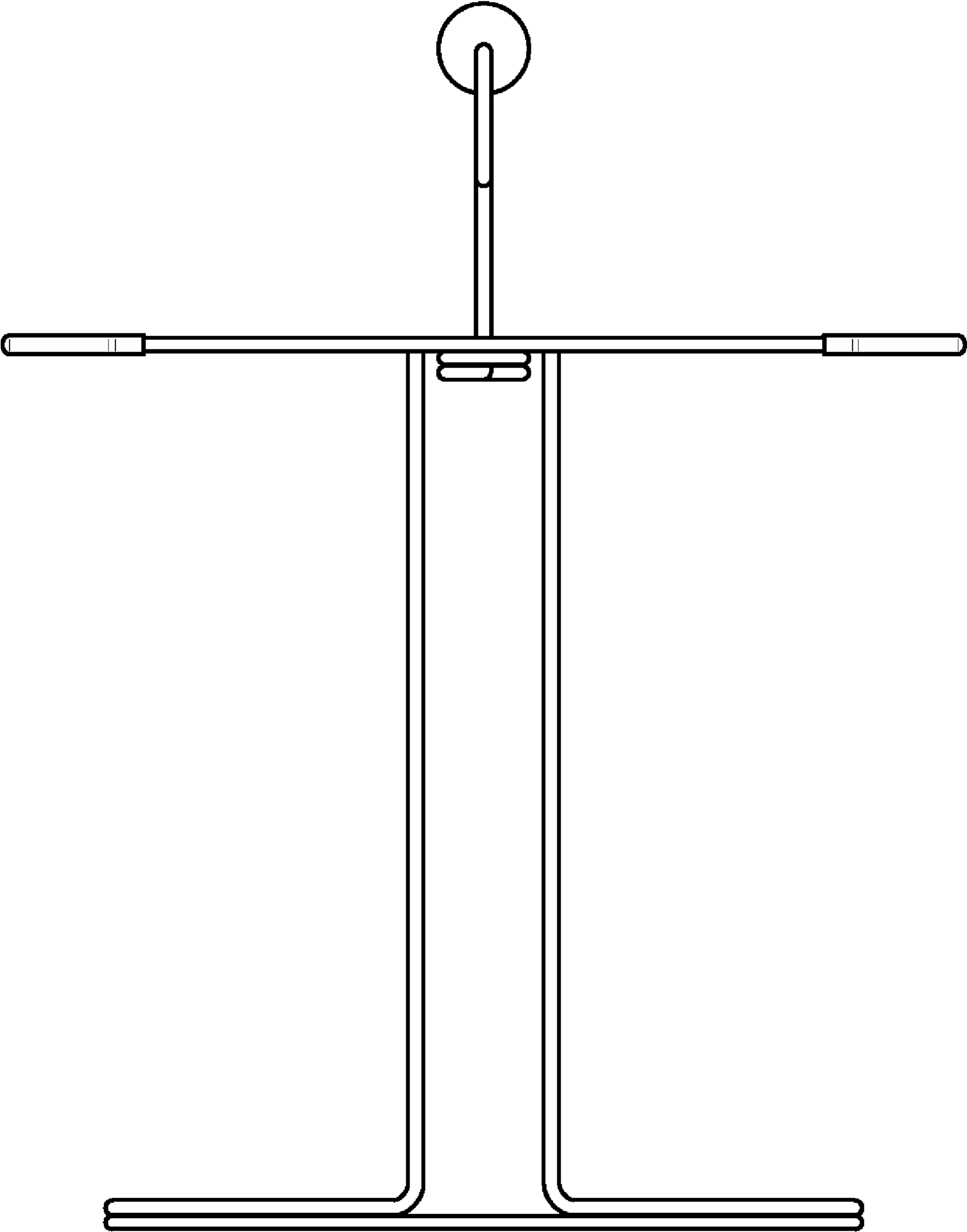


FIG. 5

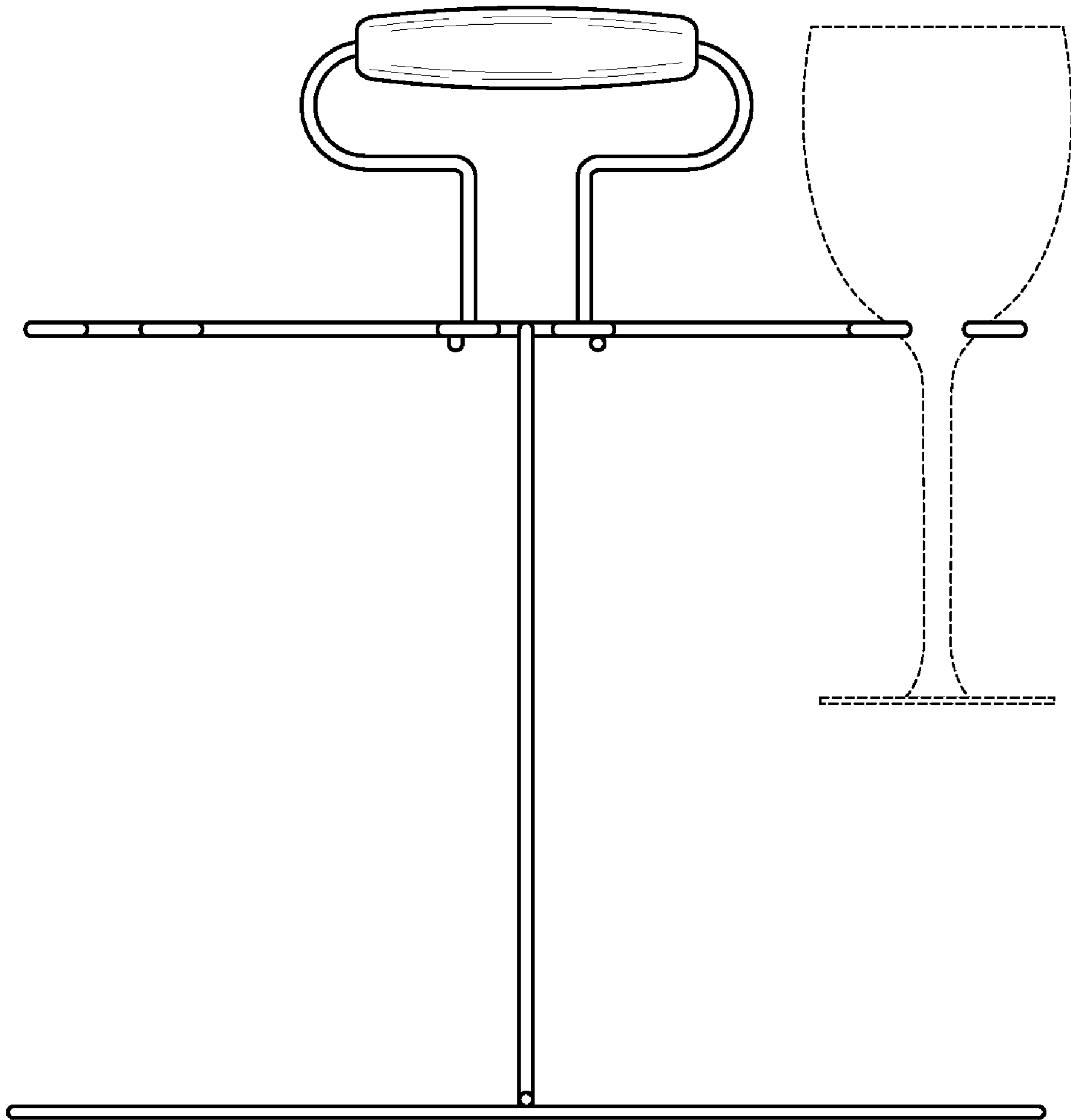


FIG. 6

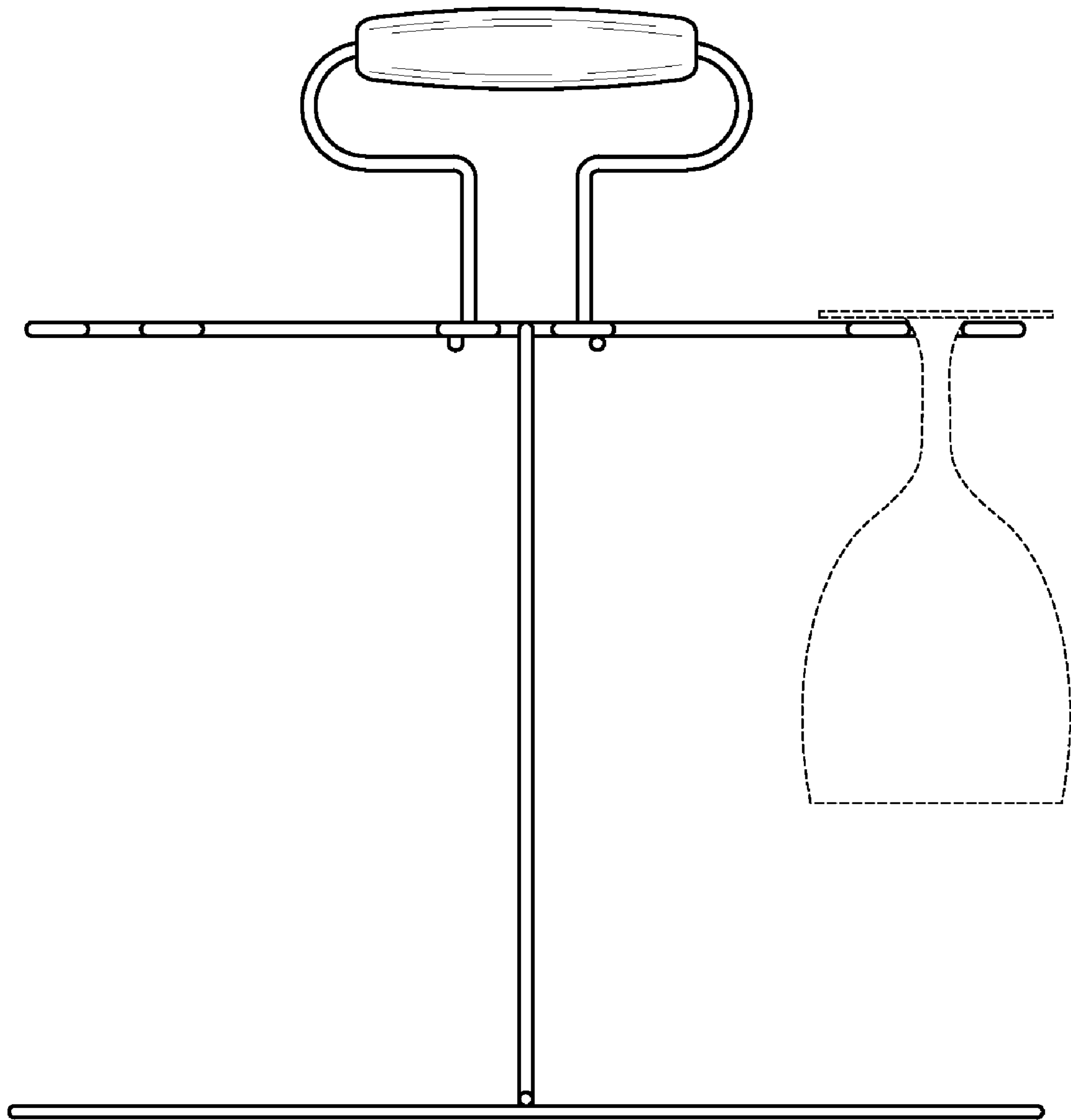


FIG. 7