



US00D605908S

(12) **United States Design Patent**
Pearl et al.

(10) **Patent No.:** **US D605,908 S**
(45) **Date of Patent:** **** Dec. 15, 2009**

(54) **CUTTING STATION**

(75) Inventors: **Jayson Pearl**, Shorewood, WI (US);
Michael Young, Mukwonago, WI (US);
Paul A. Omdoll, Waukesha, WI (US);
Norm Faiola, Ithaca, NY (US)

(73) Assignee: **The Colman Group, Inc.**, Elkhorn, WI (US)

(**) Term: **14 Years**

(21) Appl. No.: **29/322,466**

(22) Filed: **Aug. 5, 2008**

D283,777 S	5/1986	Morin	
D289,247 S *	4/1987	Wang D7/555
5,363,755 A	11/1994	Liang	
D372,176 S	7/1996	Meisner	
D374,380 S	10/1996	Sawatsky	
D381,564 S	7/1997	Kolada	
D390,718 S	2/1998	Howland et al.	
D472,776 S	4/2003	Porter	
D500,940 S *	1/2005	Goggin D7/698
D573,419 S *	7/2008	Kaposi D7/698
D574,200 S *	8/2008	Pearl et al. D7/698
7,422,201 B2 *	9/2008	Pearl et al. 269/289 R
2002/0195763 A1	12/2002	Benjamin	
2004/0119221 A1 *	6/2004	Davis 269/289 R
2007/0001359 A1 *	1/2007	Pearl et al. 269/289 R

* cited by examiner

Related U.S. Application Data

(62) Division of application No. 29/260,219, filed on May 22, 2006, now Pat. No. Des. 574,200.

(51) **LOC (9) Cl.** **07-04**

(52) **U.S. Cl.** **D7/698**

(58) **Field of Classification Search** D6/398,
D6/406.6; D7/388, 409, 505, 549, 553.5,
D7/586, 624.1, 637-638, 696, 698-699;
D8/71; D14/436; 99/446, 449, 484; 119/61.54;
269/13-16, 54.5, 289 R, 291-292, 297-298,
269/302.1

See application file for complete search history.

(56) **References Cited**

U.S. PATENT DOCUMENTS

D159,881 S	8/1950	Zekowski
2,609,024 A	9/1952	Russ
3,598,164 A	8/1971	August
D259,166 S	5/1981	Krusche
D281,850 S	12/1985	Morin

Primary Examiner—Caron Veynar

Assistant Examiner—Ricky Pham

(74) *Attorney, Agent, or Firm*—Boyle Fredrickson, S.C.

(57) **CLAIM**

The ornamental design of a cutting station, substantially as shown and described.

DESCRIPTION

FIG. 1 is a perspective view of a cutting station in accordance with the new design;

FIG. 2 is a left side view of the cutting station of FIG. 1, of which the right side view is a mirror image;

FIG. 3 is a front view of the cutting station of FIG. 1, of which the rear view is a mirror image;

FIG. 4 is a top view of the cutting station of FIG. 1; and,

FIG. 5 is a bottom view of the cutting station of FIG. 1.

1 Claim, 4 Drawing Sheets

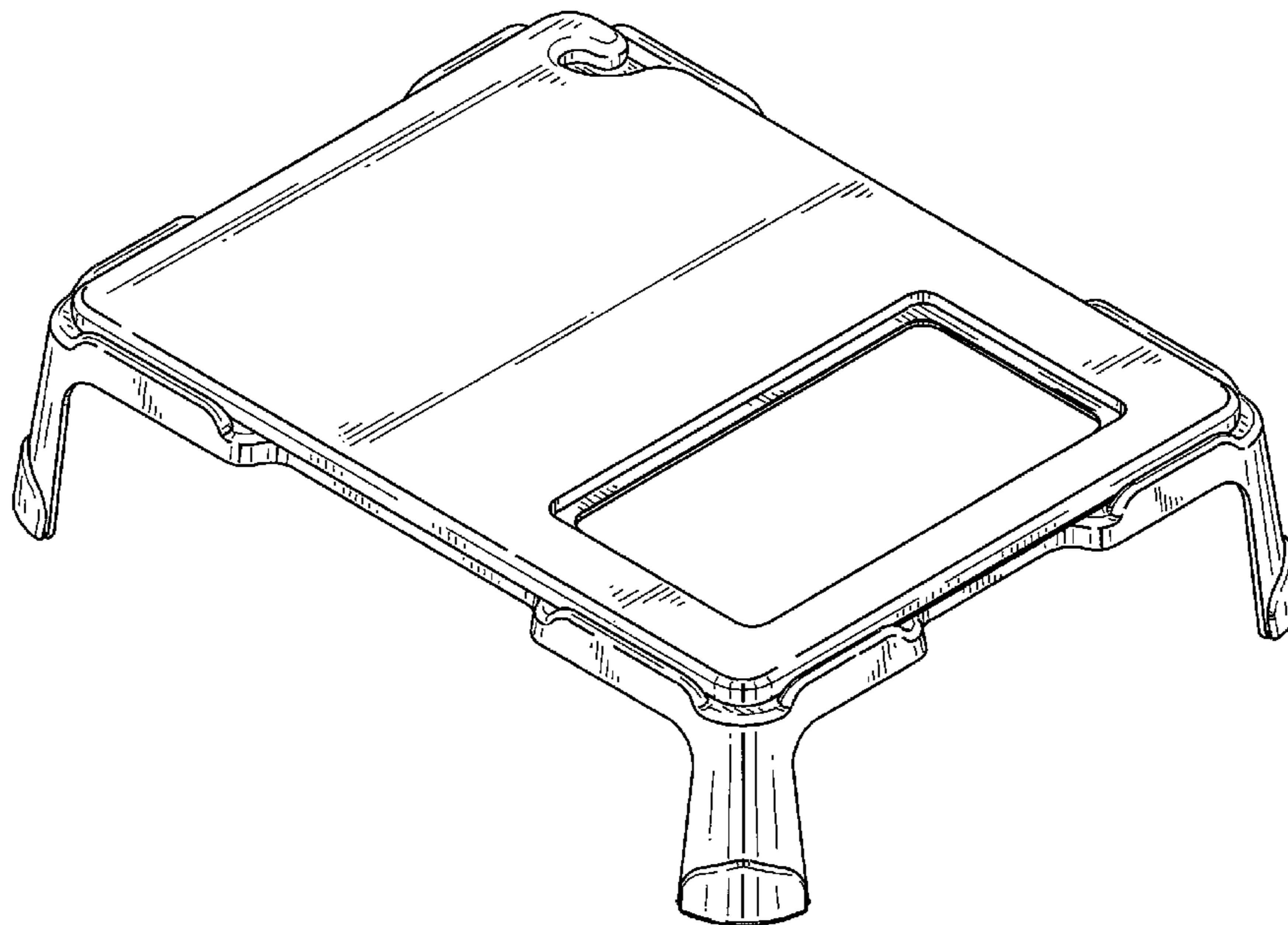


FIG. 1

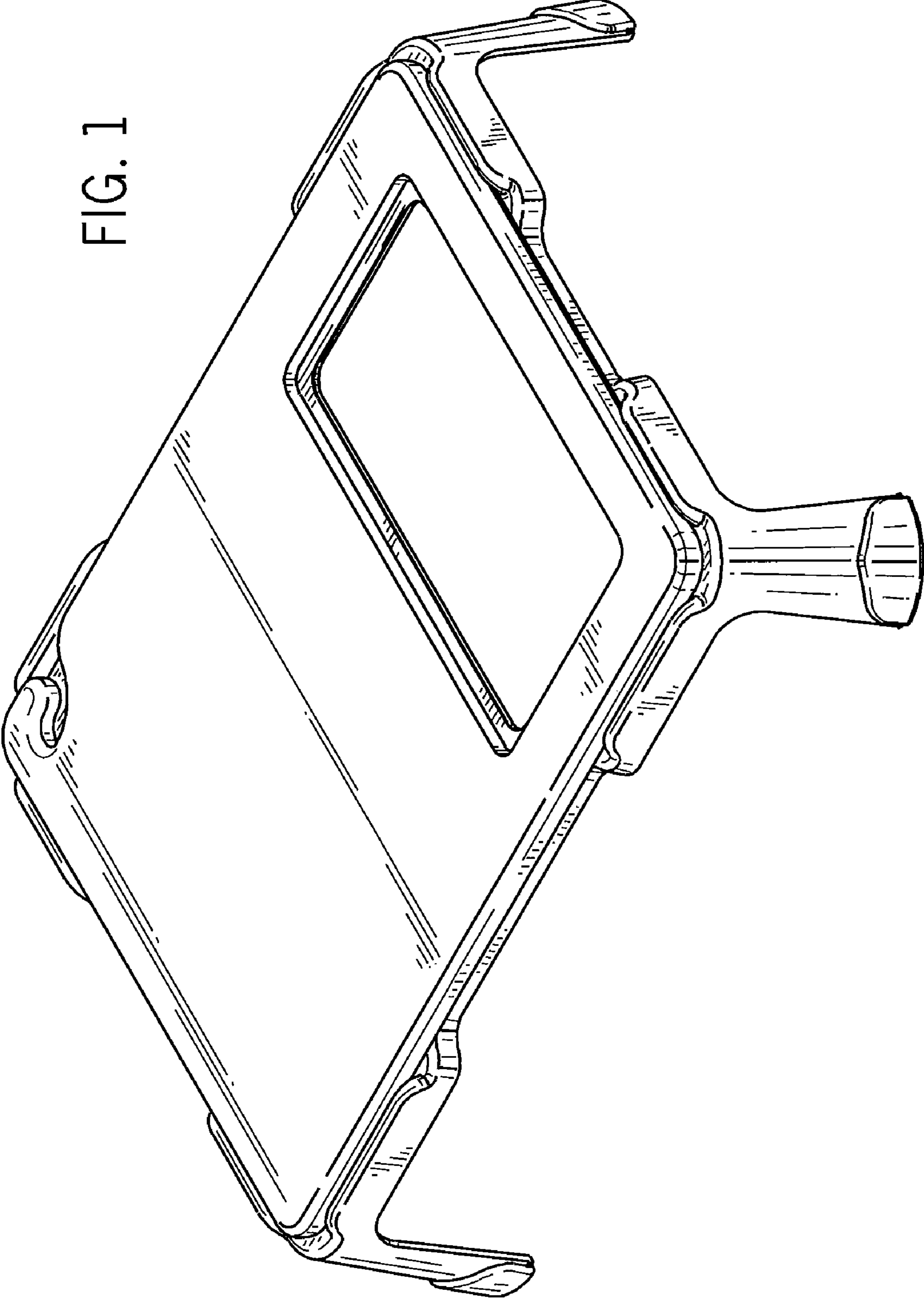


FIG. 2

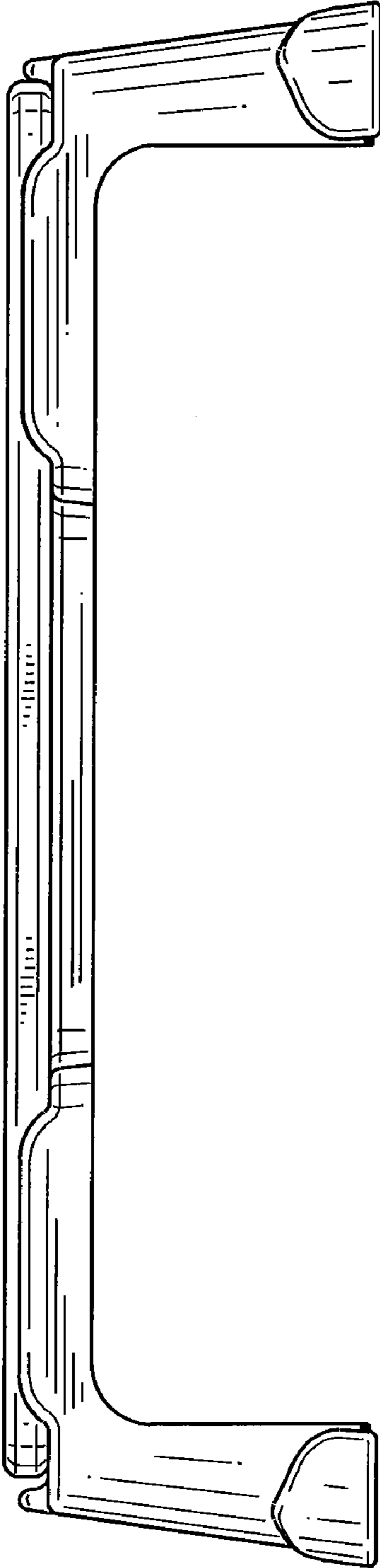


FIG. 3

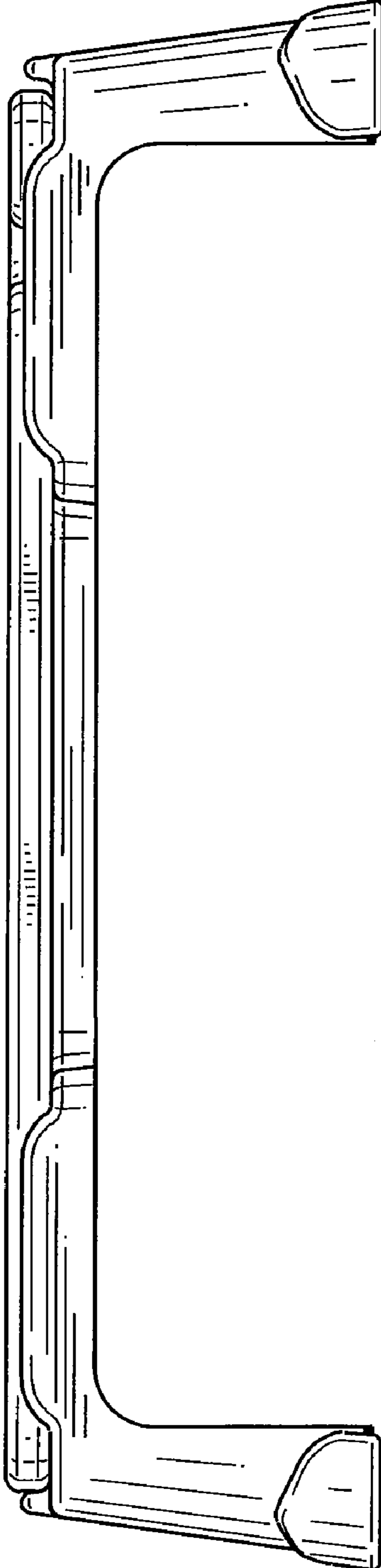


FIG. 4

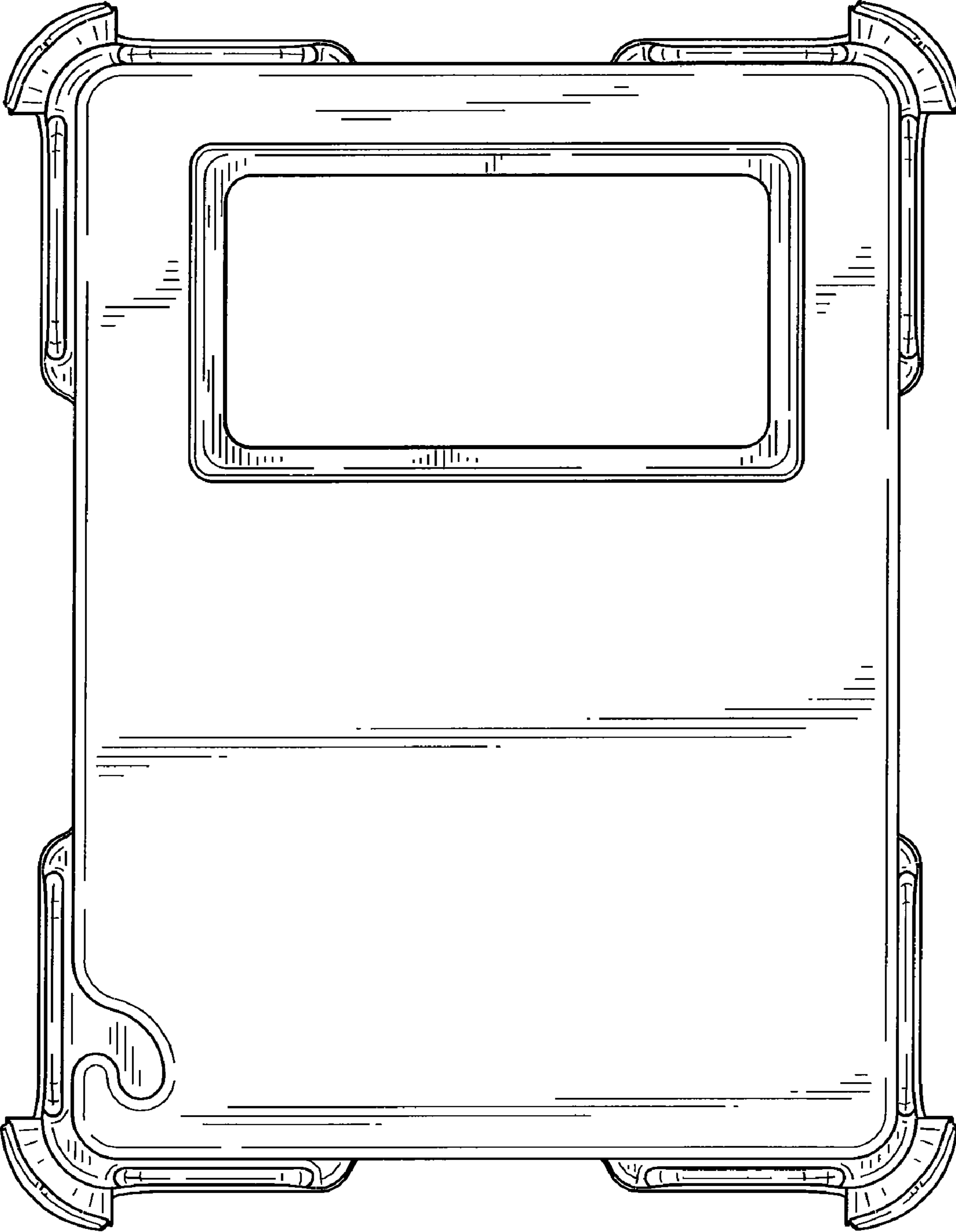


FIG. 5

