



US00D605903S

(12) **United States Design Patent**
Battle

(10) **Patent No.:** **US D605,903 S**

(45) **Date of Patent:** **** Dec. 15, 2009**

(54) **LIQUID DETERGENT BOTTLE DRESS COVER**

D505,049 S * 5/2005 Ramsdale D7/606
D505,838 S 6/2005 Hicks

(76) Inventor: **Paddie J. Battle**, 2305 Redwood Dr.,
Wilson, NC (US) 27893

* cited by examiner

Primary Examiner—Ian Simmons

Assistant Examiner—Dana L Sipos

(74) *Attorney, Agent, or Firm*—Crossley Patent Law; Mark A.
Crossley

(**) Term: **14 Years**

(21) Appl. No.: **29/325,879**

(22) Filed: **Oct. 7, 2008**

(57) **CLAIM**

The ornamental design for a liquid detergent bottle dress cover, as shown and described.

(51) **LOC (9) Cl.** **07-06**

(52) **U.S. Cl.** **D7/625**

(58) **Field of Classification Search** D7/590,
D7/601–602, 606–608, 619.1, 619.2, 622,
D7/624.1, 624.2, 625, 628, 388, 396.1, 396.2;
D9/455; 220/694, 703, 732, 737, 738, 739,
220/741–742, 903

See application file for complete search history.

DESCRIPTION

FIG. 1 is a front elevation view of a liquid detergent bottle dress cover showing my new design;

FIG. 2 is a rear elevation view thereof;

FIG. 3 is a left side elevation view thereof, the right side elevation view being a mirror image;

FIG. 4 is a top plan view thereof;

FIG. 5 is a bottom plan view thereof; and,

FIG. 6 is an isometric view thereof.

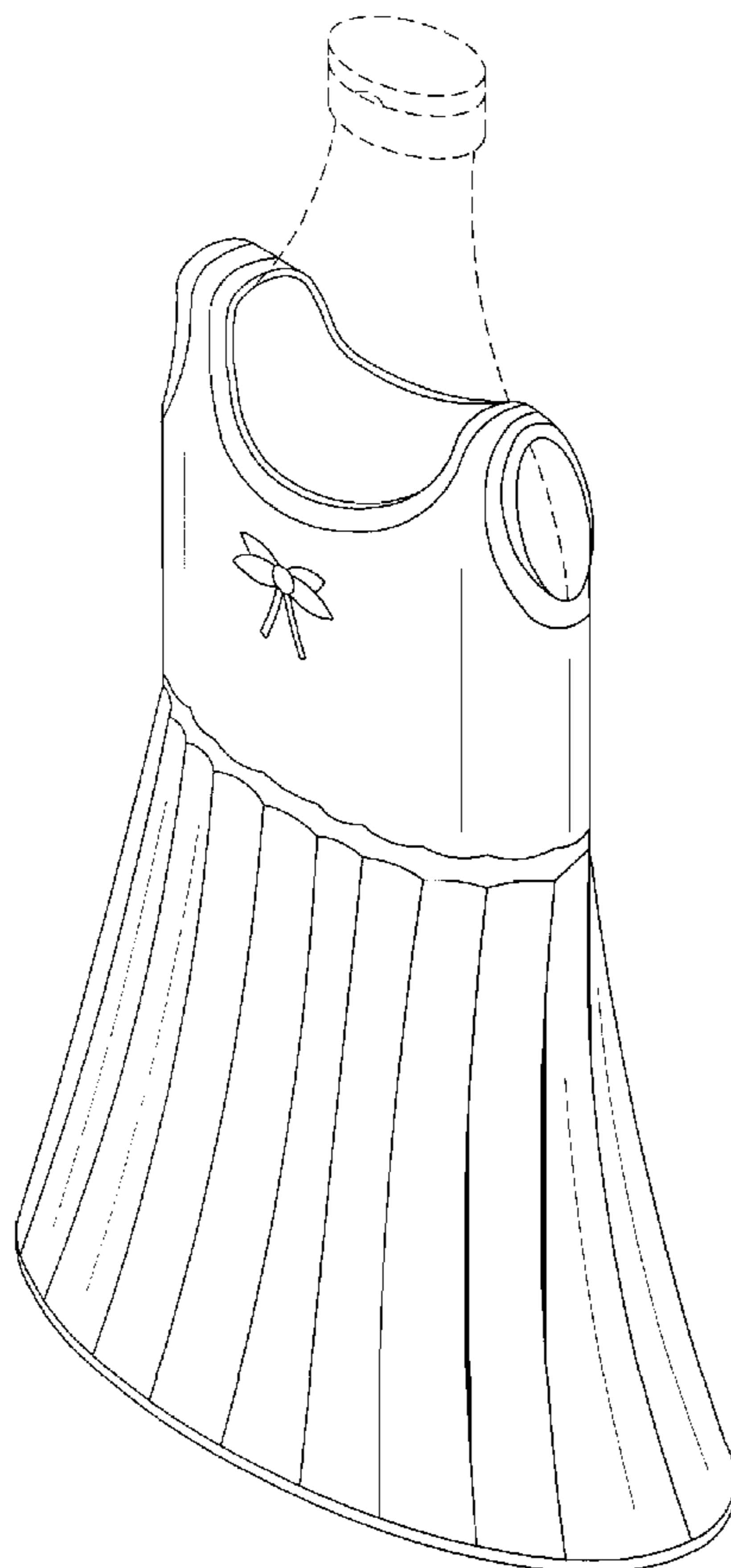
The broken lines shown in FIG. 6 are for illustrative purposes only and form no part of the claimed design.

(56) **References Cited**

U.S. PATENT DOCUMENTS

- 4,867,214 A 9/1989 Fuller
- D341,519 S * 11/1993 Rucks D7/619.1
- D391,483 S * 3/1998 Freeman D9/444
- 6,227,930 B1 5/2001 Norman et al.
- D489,576 S * 5/2004 Ramsdale D7/606
- D499,309 S * 12/2004 Hicks D7/625

1 Claim, 4 Drawing Sheets



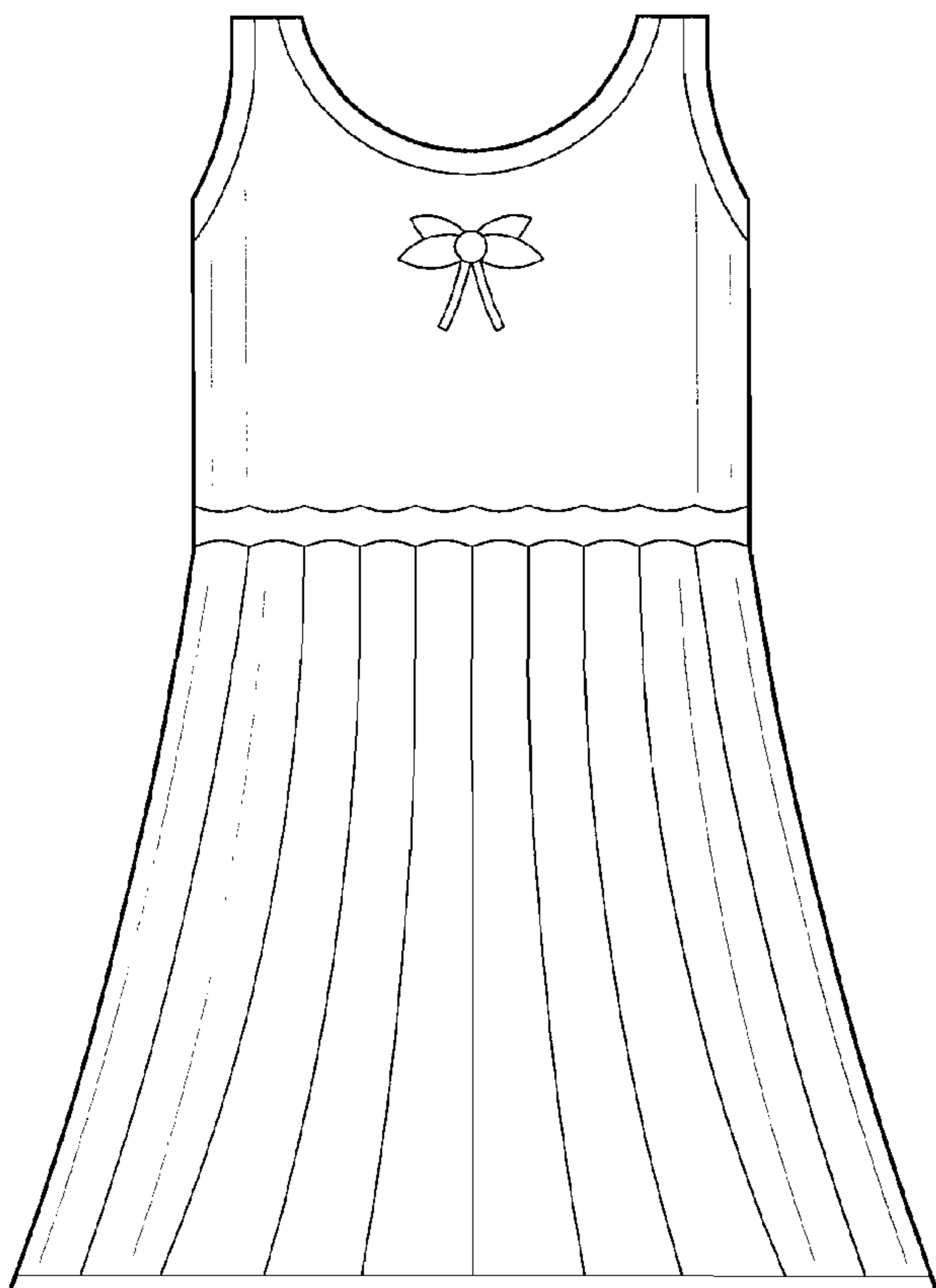


FIG. 1

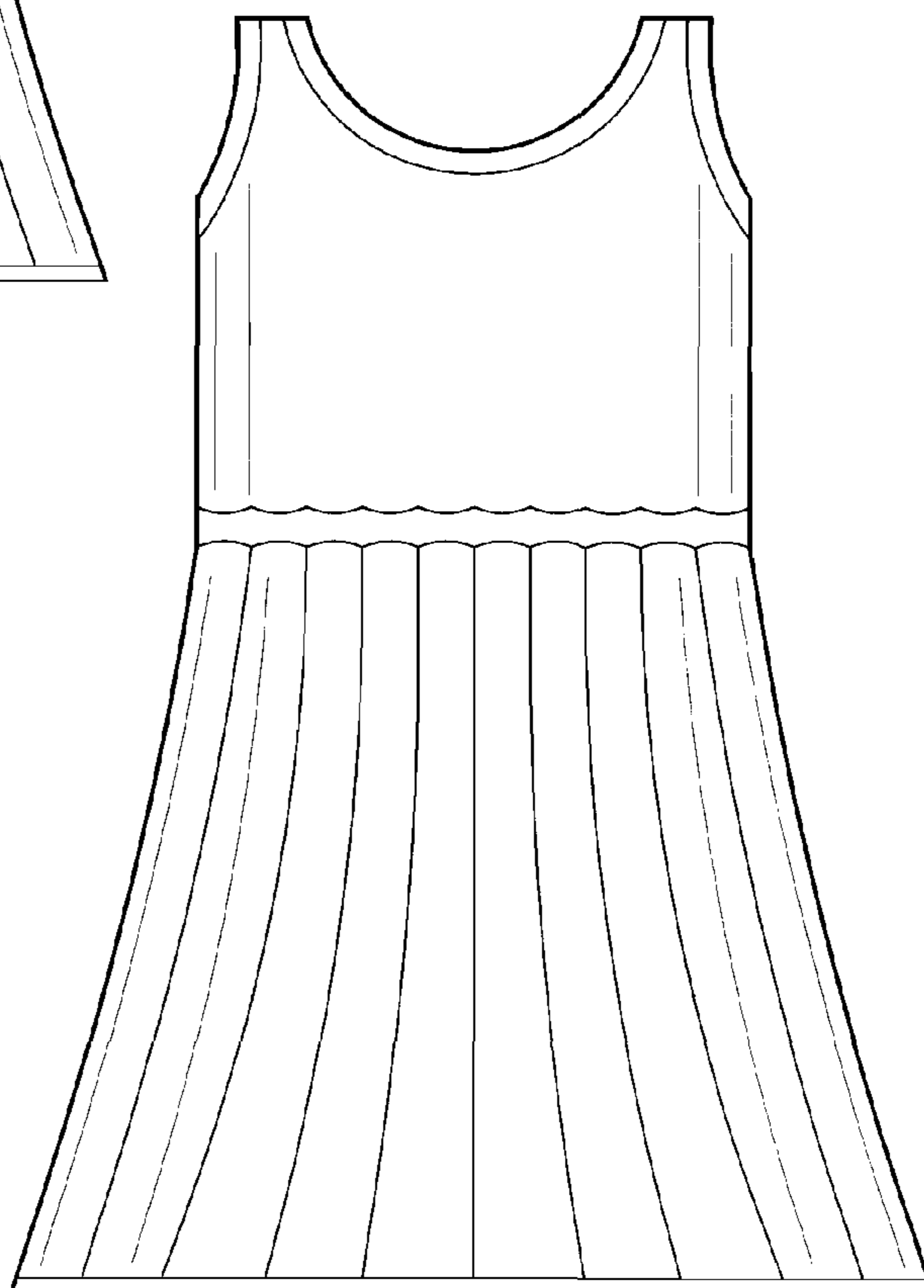


FIG. 2

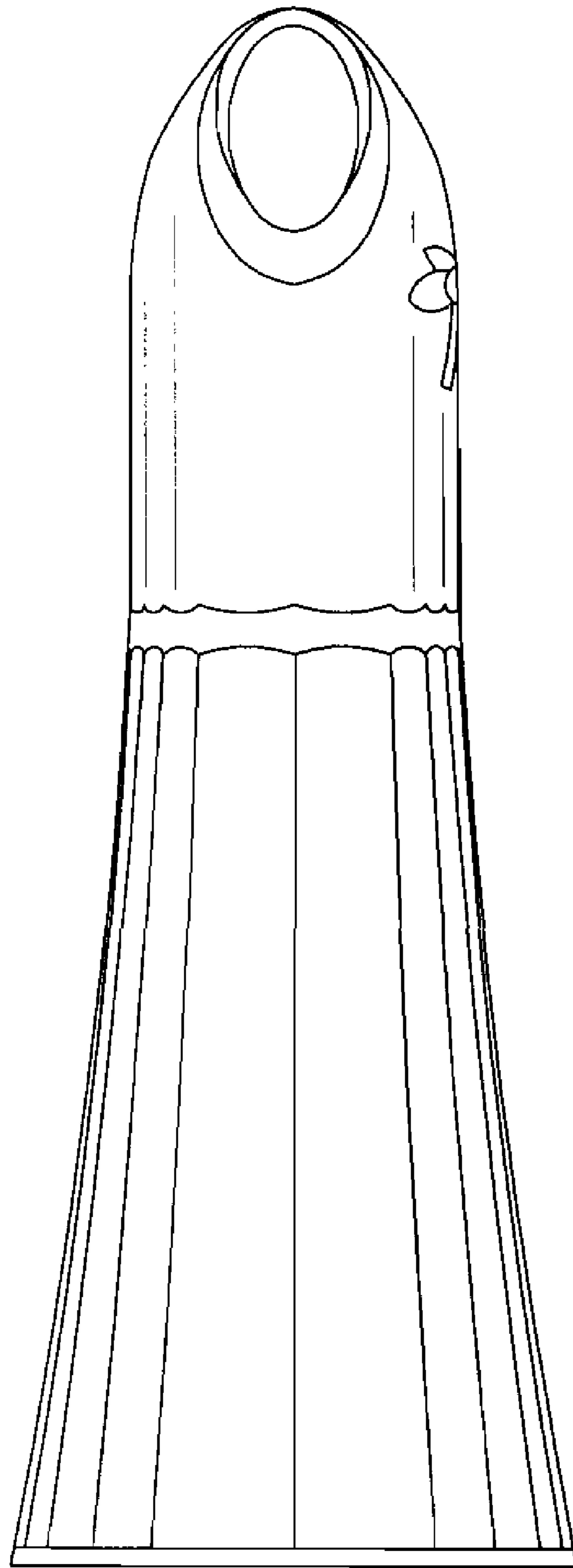


FIG. 3

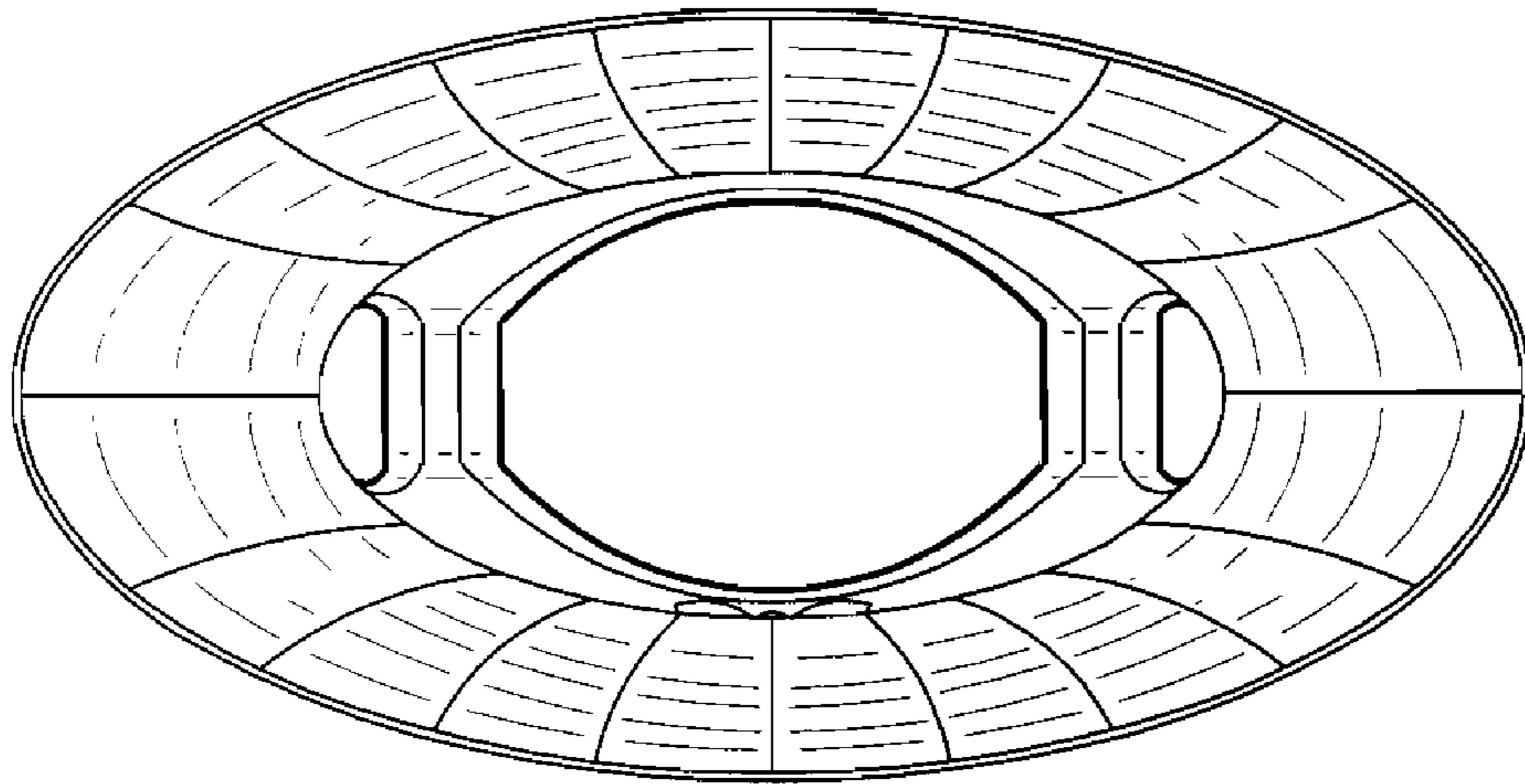


FIG. 4

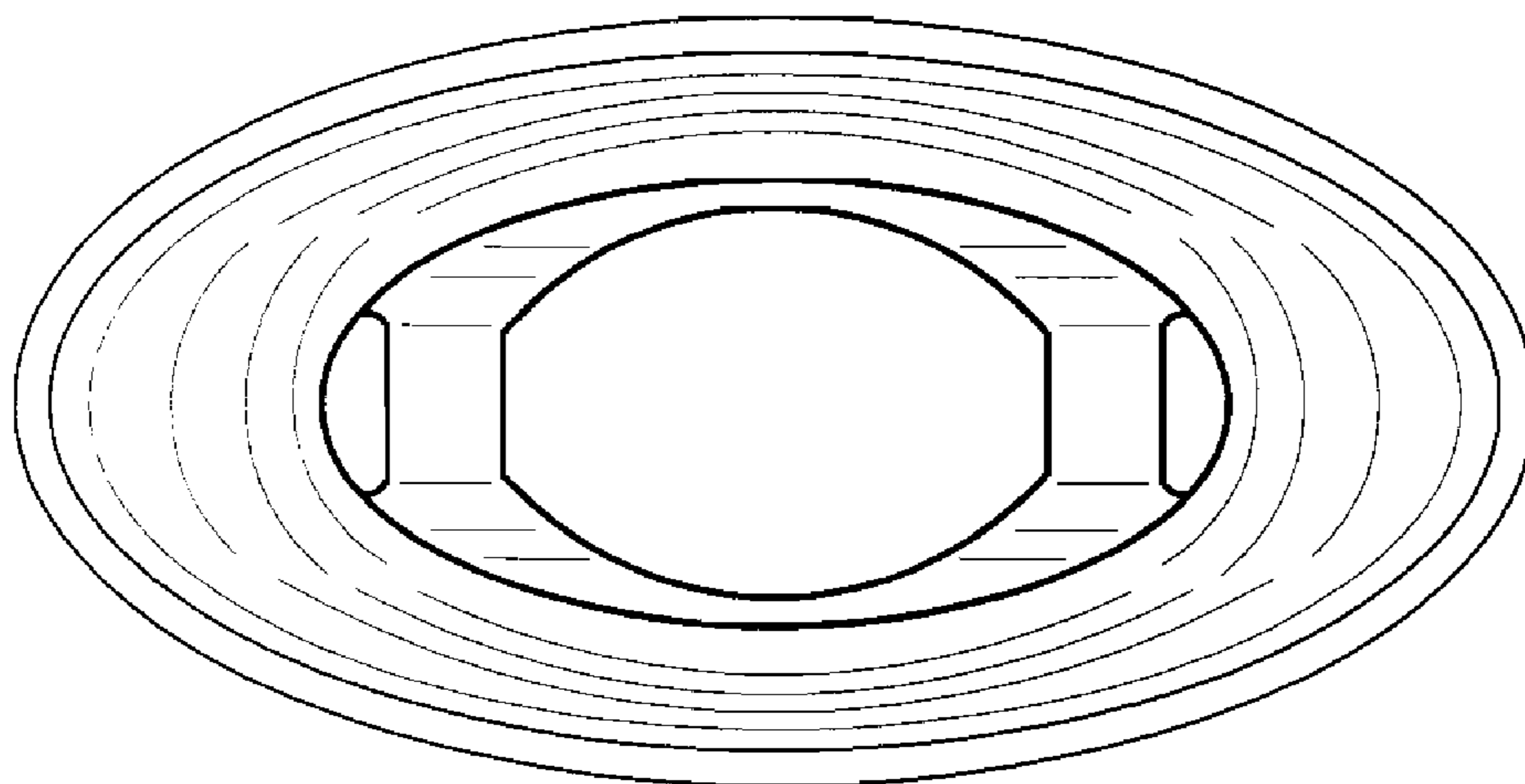


FIG. 5

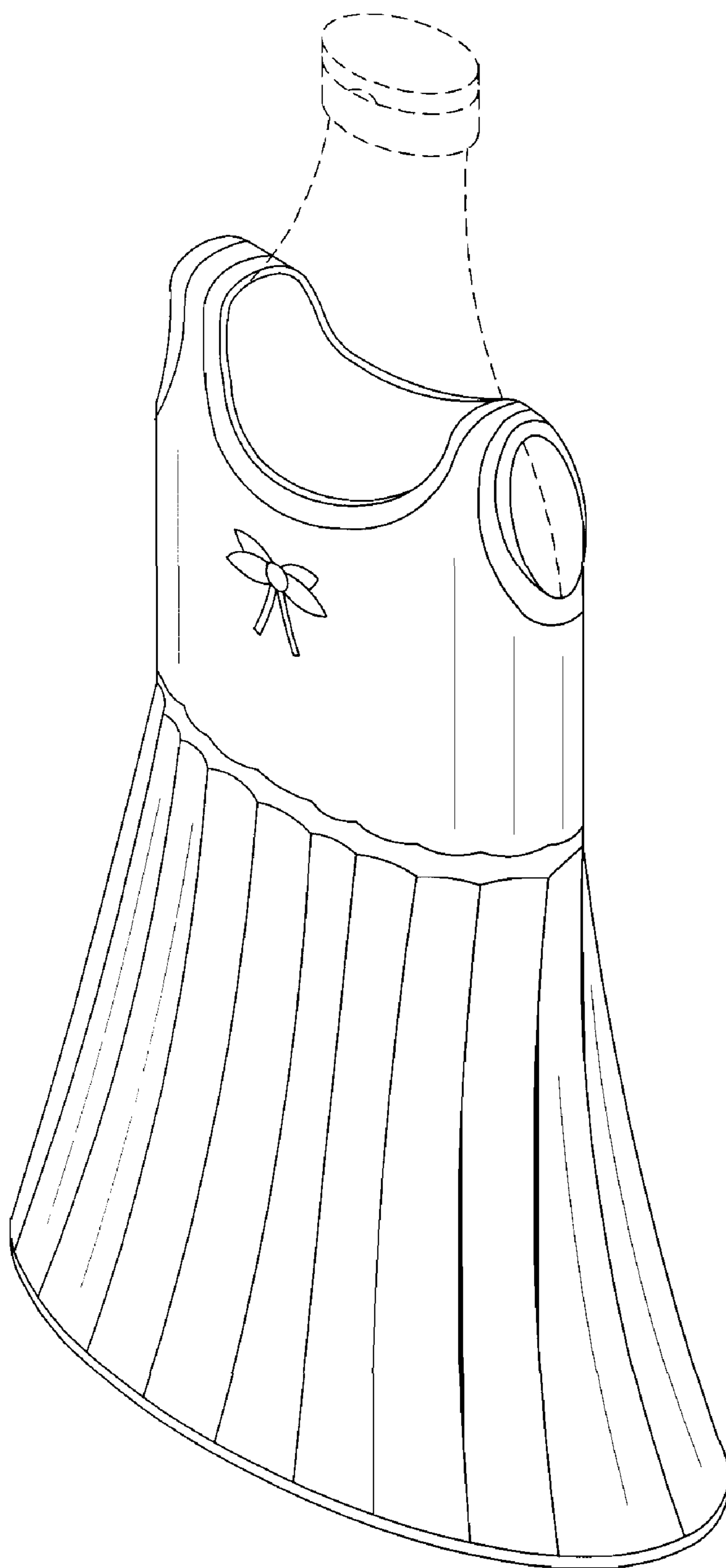


FIG. 6