



US00D605899S

(12) **United States Design Patent**
Meether et al.

(10) **Patent No.:** **US D605,899 S**
(45) **Date of Patent:** **** Dec. 15, 2009**

(54) **INSULATED CONTAINER**

(75) Inventors: **Stuart L Meether**, Wichita, KS (US);
David L Wilcox, Derby, KS (US);
Robert W Lawrence, Wichita, KS (US);
Deborah K Koenigs, Garden Plain, KS
(US); **Alison N Dopps**, Maize, KS (US);
Elizabeth A Brewer, Augusta, KS (US);
Lori R Becker, Garden Plain, KS (US);
Michelle L Stegman, Wichita, KS (US);
Tracy A Beehn, Towanda, KS (US);
Jake L Hillard, Wichita, KS (US)

(73) Assignee: **The Coleman Company, Inc.**, Wichita,
KS (US)

(**) Term: **14 Years**

(21) Appl. No.: **29/323,102**

(22) Filed: **Aug. 18, 2008**

(51) **LOC (9) Cl.** **07-01**

(52) **U.S. Cl.** **D7/605; D7/629**

(58) **Field of Classification Search** D7/605-608,
D7/629, 602, 538-542; 220/915.1, 915.2,
220/592.17, 592.24, 592.01, 592.03, 592.04,
220/592.16, 592.2, 780-806, 574-575; 62/457.1-457.9
See application file for complete search history.

(56) **References Cited**

U.S. PATENT DOCUMENTS

400,255 A	3/1889	Schuckman	
434,688 A	8/1890	Veley	
1,299,267 A	4/1919	Tiers	
1,344,326 A	6/1920	Williams	
1,768,976 A	7/1930	Cuthbertson	
1,881,873 A	10/1932	Newcomb	
2,817,744 A	12/1957	Free	
3,121,522 A *	2/1964	Ragnow	220/592.25
3,130,288 A	4/1964	Monaco et al.	
3,703,088 A	11/1972	Moorhead	

3,859,505 A	1/1975	Herbrand et al.	
4,013,869 A	3/1977	Orts	
4,106,486 A	8/1978	Lee	
4,509,412 A	4/1985	Whittenburg et al.	
4,520,633 A	6/1985	Hoydic	
4,545,487 A	10/1985	Asmus	
D284,254 S *	6/1986	Carlson	D7/629
4,662,188 A	5/1987	Hullihan	
4,671,070 A	6/1987	Rudick	
4,832,226 A	5/1989	Leon	
4,889,972 A	12/1989	Chang	
4,897,525 A	1/1990	Hirsch	
4,982,656 A	1/1991	Stone	
5,007,250 A	4/1991	Musielak	
5,064,088 A *	11/1991	Steffes	220/837

(Continued)

FOREIGN PATENT DOCUMENTS

EP 1010957 A2 6/2000

Primary Examiner—Terry A Wallace

(74) *Attorney, Agent, or Firm*—Kelly S. Elsea

(57) **CLAIM**

The ornamental design for an insulated container, as shown and described.

DESCRIPTION

FIG. 1 is a front side perspective view of our insulated container;

FIG. 2 is a front elevation view thereof;

FIG. 3 is a rear elevation view thereof;

FIG. 4 is a left side elevation view thereof;

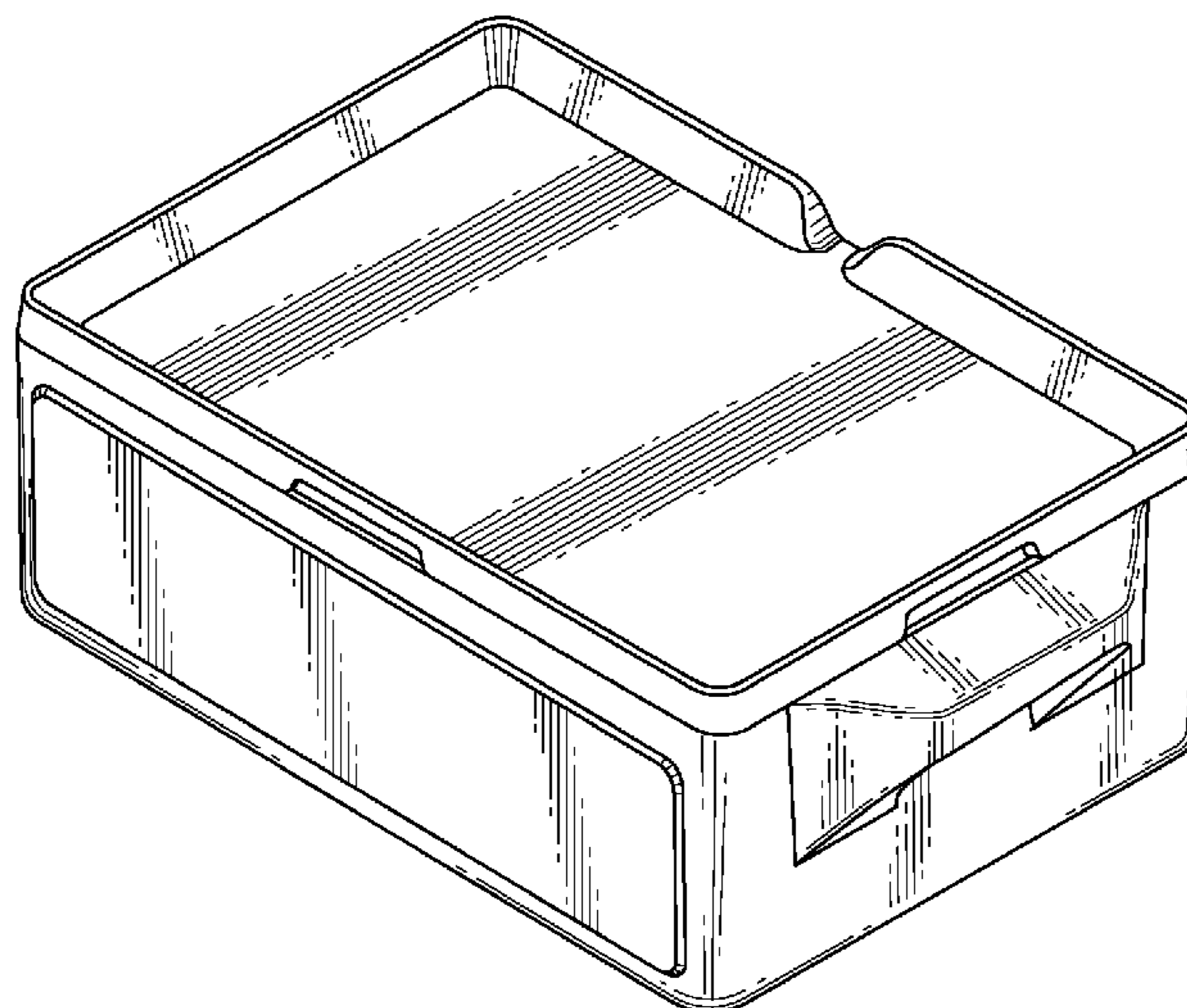
FIG. 5 is a right side elevation view thereof;

FIG. 6 is a top plan view thereof; and,

FIG. 7 is a bottom plan view thereof.

The broken line showing is for illustrative purposes only and forms no part of the claimed design.

1 Claim, 2 Drawing Sheets



US D605,899 S

Page 2

U.S. PATENT DOCUMENTS					
5,065,889	A	11/1991 Conti	D451,765	S	12/2001 Israel et al.
5,082,115	A	1/1992 Hutcheson	6,378,325	B1	4/2002 Yang
5,231,850	A	8/1993 Morris	D472,773	S	4/2003 Samartgis
5,257,509	A	11/1993 Harris	6,593,552	B1	7/2003 Li
5,307,647	A	5/1994 McClure	D479,784	S	9/2003 Shah
D349,007	S *	7/1994 Costello D7/605	6,674,050	B2	1/2004 Hansen
5,381,729	A	1/1995 Hennessy et al.	6,761,041	B2	7/2004 Roth et al.
D357,161	S	4/1995 Booten	6,763,959	B2	7/2004 Tedder
D369,722	S	5/1996 Lopez, Jr. et al.	6,774,343	B2	8/2004 Ibanez
5,701,757	A	12/1997 Heverly	D502,059	S *	2/2005 Bukowski et al. D7/605
5,704,485	A	1/1998 Cautereels et al.	6,938,436	B2	9/2005 Roth et al.
5,799,866	A	9/1998 Hattem	6,966,450	B2	11/2005 Askew
D400,054	S	10/1998 Emery	7,051,550	B2	5/2006 Roth et al.
5,845,515	A *	12/1998 Nelson 62/457.7	7,131,289	B2	11/2006 Harl et al.
5,921,423	A	7/1999 Howell et al.	7,288,745	B2	10/2007 Colonna
D418,021	S	12/1999 Terracciano et al.	D563,731	S	3/2008 Thurston
6,018,145	A	1/2000 Moreno	2005/0000373	A1	1/2005 Coe
D444,058	S	6/2001 Hampshire et al.	2005/0011216	A1	1/2005 Letton
			2009/0173656	A1	7/2009 Furlong

* cited by examiner

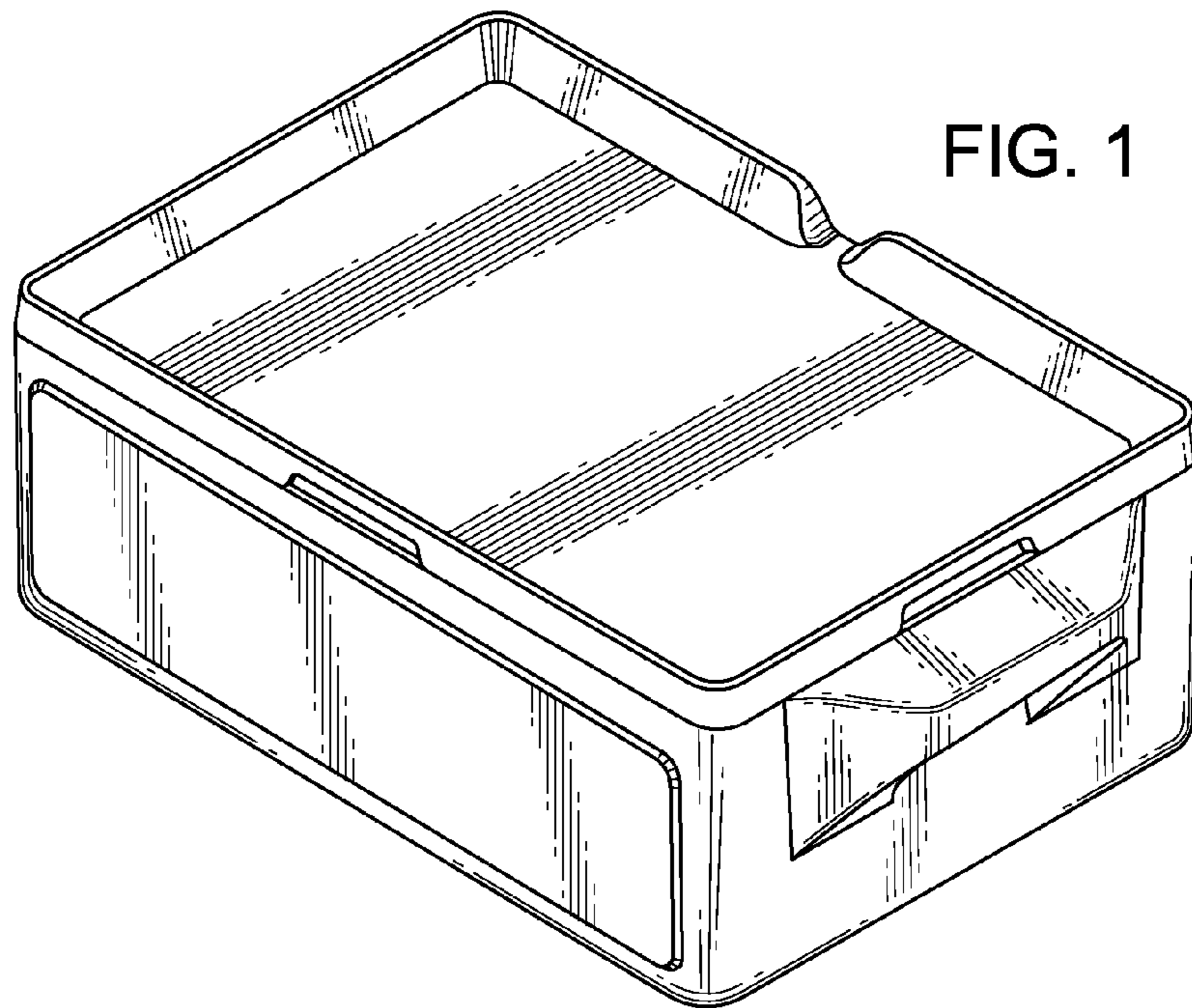


FIG. 2

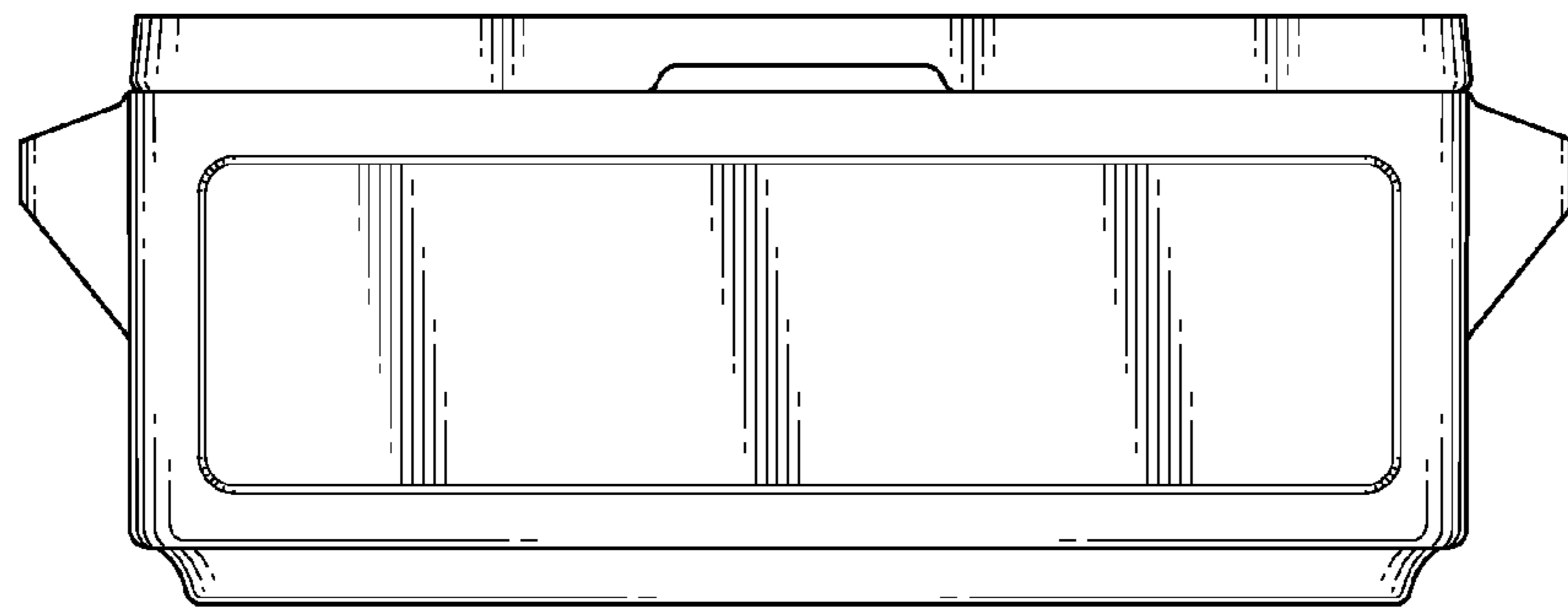


FIG. 3

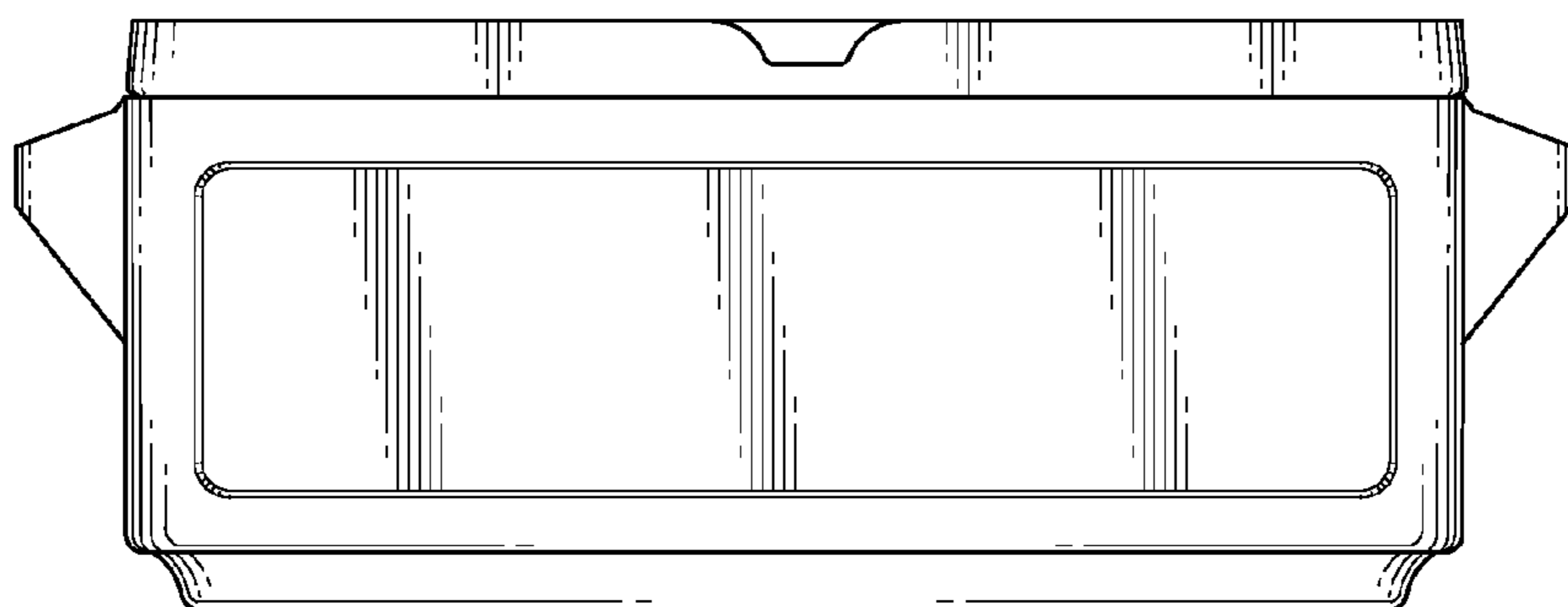


FIG. 4

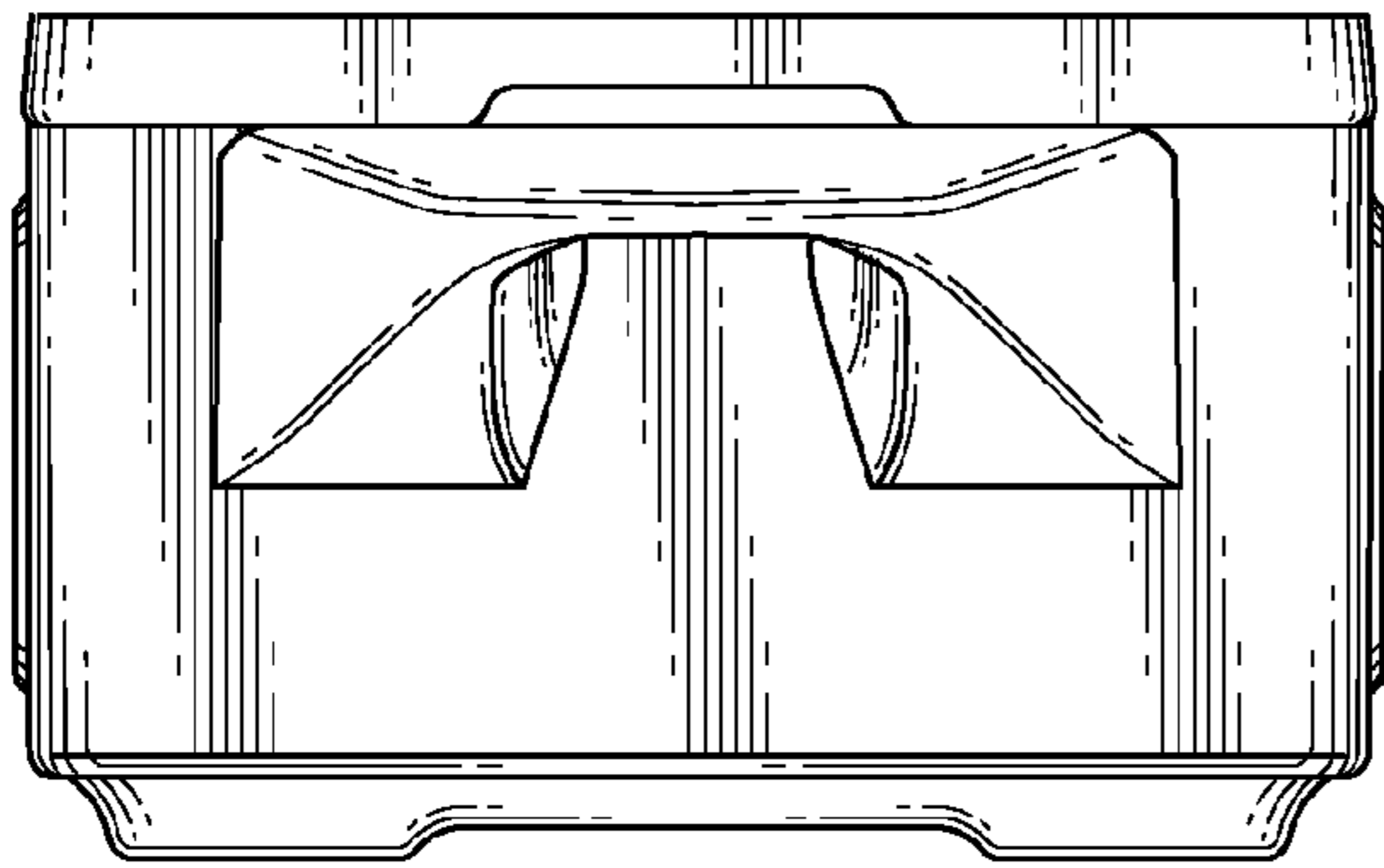


FIG. 5

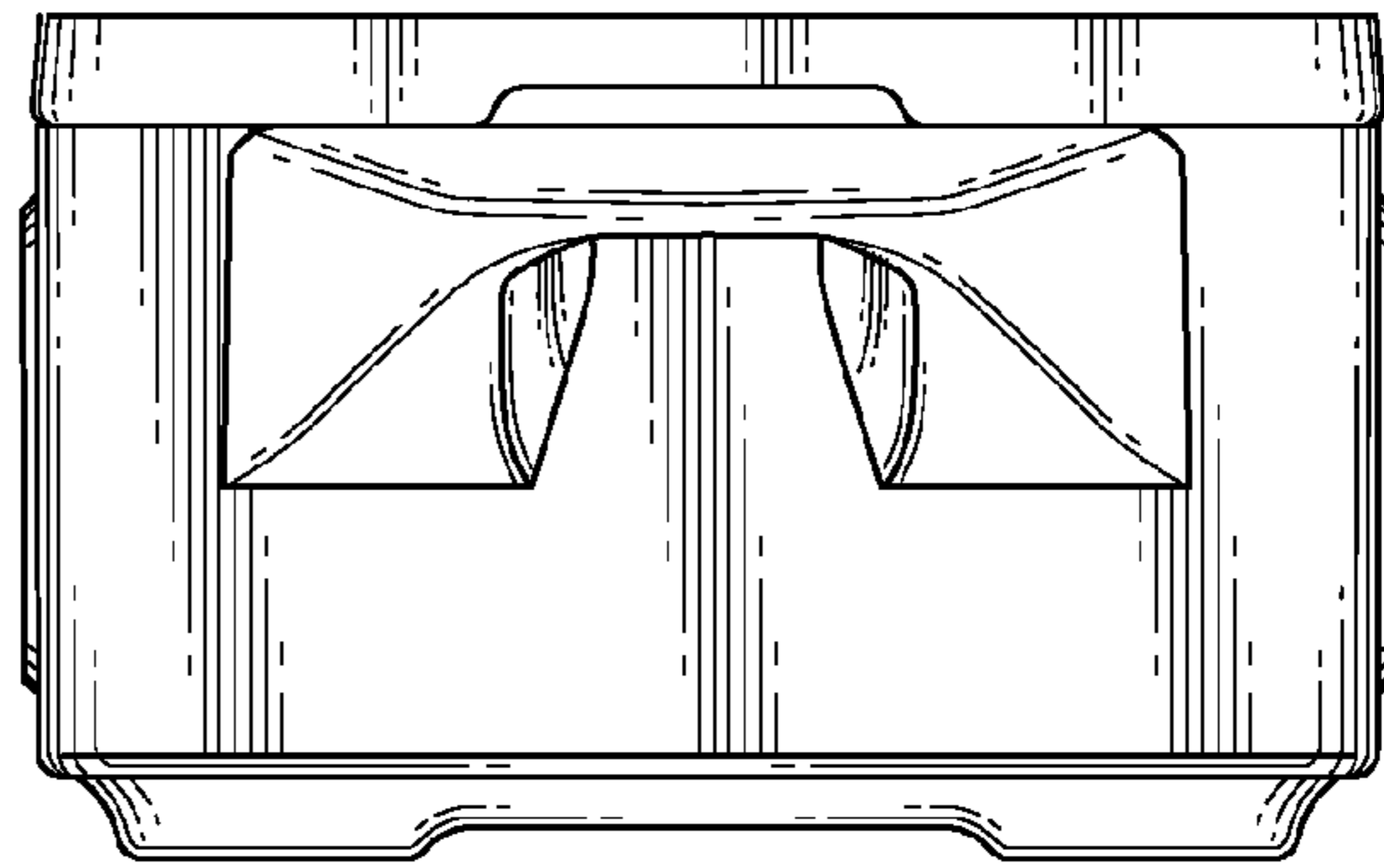


FIG. 6

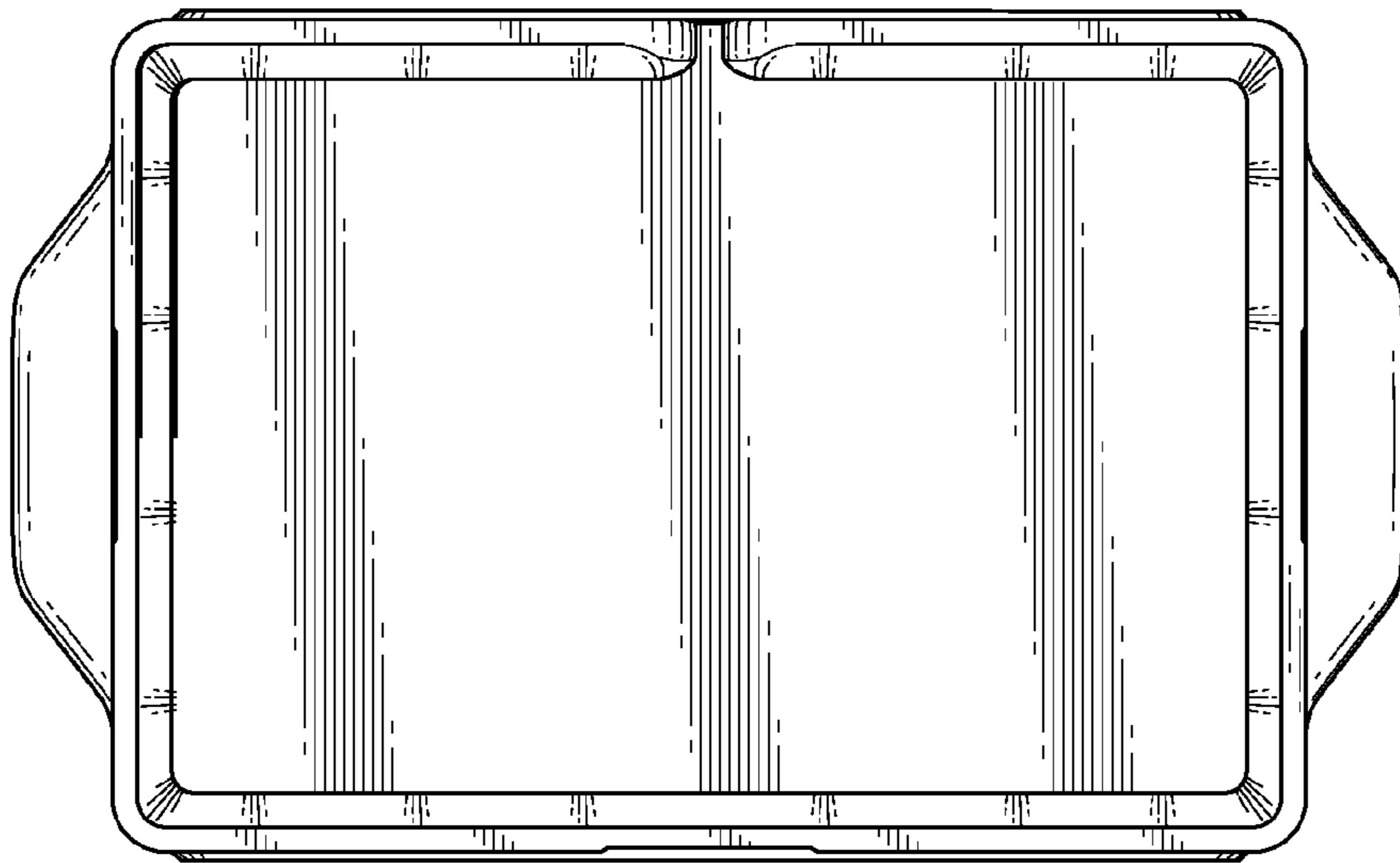


FIG. 7

