



US00D605896S

(12) **United States Design Patent**
Zalewski et al.

(10) **Patent No.:** **US D605,896 S**

(45) **Date of Patent:** **** Dec. 15, 2009**

(54) **TRAY**

(75) Inventors: **Kevin Zalewski**, Rochester Hills, MI (US); **Dirk Ahlgrim**, Cambridge, MA (US); **Monica Kuznik**, Padua (IT); **Samuel Palmer**, Arlington, MA (US); **Gretchen Wustrack**, San Francisco, CA (US)

(73) Assignee: **Target Brands, Inc.**, Minneapolis, MN (US)

(**) Term: **14 Years**

(21) Appl. No.: **29/333,918**

(22) Filed: **Mar. 17, 2009**

(51) **LOC (9) Cl.** **07-01**

(52) **U.S. Cl.** **D7/553.1; D7/555**

(58) **Field of Classification Search** D7/387, D7/538, 388, 500, 541, 550.1, 396.1, 629, D7/545, 560, 392.1, 542, 586, 554.2, 553.2, D7/553.5, 553.8, 505, 553.1, 556, 555, 566, D7/554.3; 220/6, 337, 662, 665, 23.8, 575, 220/501, 212; 206/508, 294, 462, 489; D6/302; D19/78; D9/761, 418, 415

See application file for complete search history.

(56) **References Cited**

U.S. PATENT DOCUMENTS

D158,479 S 5/1950 Long
D164,157 S * 8/1951 Chrzanowski D19/78
3,027,045 A 3/1962 Wilson
D197,311 S 1/1964 Spaak
3,170,594 A 2/1965 Nascher
D214,523 S * 6/1969 Stone D7/553.3

(Continued)

FOREIGN PATENT DOCUMENTS

DE 19735185 2/1999

(Continued)

OTHER PUBLICATIONS

"iCube, my cube, my space™", materials publicly provided in an offer to sell the associated product at least as early as Apr. 23, 2008, 22 pages.

(Continued)

Primary Examiner—Robert M Spear

Assistant Examiner—Cynthia Underwood

(74) *Attorney, Agent, or Firm*—Griffiths & Seaton PLLC

(57) **CLAIM**

The ornamental design for a tray, as shown and described.

DESCRIPTION

The present application is related to pending U.S. Appl. No. 11/851,165, entitled "Storage and Organization System and Components Thereof," filed Sep. 6, 2007; pending U.S. Appl. No. 29/284,375, entitled "Storage Bin," filed Sep. 6, 2007; pending U.S. Appl. No. 29/284,379, entitled "Lid Portion," filed Sep. 6, 2007; pending U.S. Appl. No. 29/329,629, entitled "Storage Bin," filed Dec. 18, 2008; pending U.S. Appl. No. 29/333,915, entitled "Storage Unit and Storage Unit Portions," filed Mar. 17, 2009; pending U.S. Appl. No. 29/333,916, entitled "Drawer and Door," filed Mar. 17, 2009; and pending U.S. Appl. No. 29/333,917, entitled "Supporting Base," filed Mar. 17, 2009; all of which are incorporated herein by reference.

FIG. 1 is a top perspective view of a tray, according to the invention;

FIG. 2 is a bottom perspective view thereof;

FIG. 3 is a top view thereof;

FIG. 4 is a bottom view thereof;

FIG. 5 is a front view thereof;

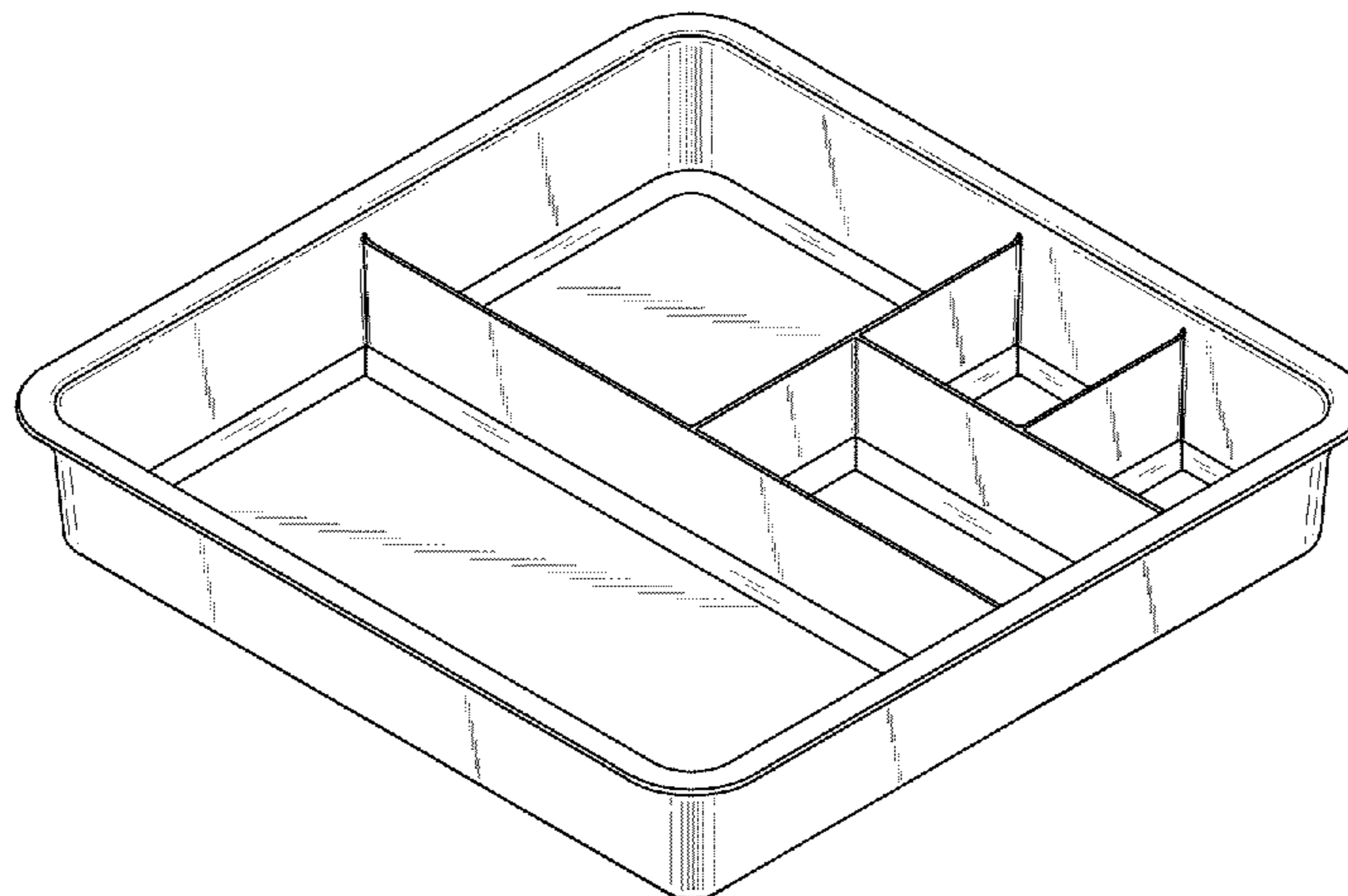
FIG. 6 is a rear view thereof;

FIG. 7 is a right side view thereof; and,

FIG. 8 is a left side view thereof.

The broken lines shown in the figures are for illustrative purposes only and form no part of the claimed design.

1 Claim, 4 Drawing Sheets



US D605,896 S

Page 2

U.S. PATENT DOCUMENTS

D225,555 S * 12/1972 Cyr et al. D7/505
 D225,556 S * 12/1972 Cyr et al. D7/505
 D225,815 S 1/1973 Torrey
 D232,812 S 9/1974 Ogle et al.
 D238,051 S 12/1975 Fier, Jr.
 3,975,877 A 8/1976 Walton
 D246,872 S 1/1978 White
 D251,480 S 4/1979 Cherry
 D254,599 S * 4/1980 Otto D9/761
 D255,306 S * 6/1980 Jacoby et al. D6/302
 D256,196 S 8/1980 Kates
 4,354,601 A * 10/1982 Harrison 206/564
 D268,622 S 4/1983 Wolters et al.
 4,448,463 A 5/1984 Amos
 D281,704 S * 12/1985 Deacon D19/52
 D296,748 S * 7/1988 Pomroy D7/549
 D323,296 S 1/1992 Schoenthaler
 D326,345 S 5/1992 Mandell et al.
 5,147,120 A 9/1992 Ray
 D330,161 S 10/1992 Schuh
 5,176,435 A 1/1993 Pipkens
 D349,646 S 8/1994 Dickinson
 D360,898 S 8/1995 Huerto et al.
 5,466,058 A 11/1995 Chan
 5,486,041 A 1/1996 Sykes
 D376,259 S 12/1996 Dickinson et al.
 5,647,649 A 7/1997 Kao
 D387,559 S 12/1997 Williamson
 5,716,116 A 2/1998 Carlson et al.
 5,775,046 A 7/1998 Fanger et al.
 D404,571 S 1/1999 Evans
 5,921,646 A 7/1999 Hwang
 5,941,616 A 8/1999 Billingham
 D421,678 S 3/2000 Levy
 D427,769 S 7/2000 Zimmerman
 6,113,203 A 9/2000 Chen
 D431,907 S 10/2000 Andujar et al.
 D437,706 S 2/2001 Alcala et al.
 D458,037 S * 6/2002 Ueno D6/302

D458,038 S * 6/2002 Ueno D6/302
 6,488,346 B2 12/2002 Chen
 6,508,021 B2 1/2003 Ong
 D495,248 S 8/2004 Krebs et al.
 RE38,836 E 10/2005 Krause et al.
 D540,039 S 4/2007 van Beuningen
 2002/0185941 A1 12/2002 Ferraro et al.
 2003/0222545 A1 12/2003 Stravitz
 2004/0164653 A1 8/2004 Winkless
 2004/0217677 A1 11/2004 Durand et al.
 2005/0006991 A1 1/2005 Saravis
 2005/0077805 A1 4/2005 Dalebout et al.
 2006/0080928 A1 4/2006 Kichijo et al.
 2006/0250052 A1 11/2006 Davis et al.

FOREIGN PATENT DOCUMENTS

EP	0801912	10/1997
GB	2206280	1/1989
GB	2231820 A	11/1990
GB	2355672	5/2001
GB	2370239 A	6/2002
WO	8700406	1/1987
WO	9920153	4/1999

OTHER PUBLICATIONS

Egan Visual, Inc., "Finish Schedule," Price and Specification Guide, Jul. 2002, 11 pages.
 Egan Visual, Inc., "Mobile Task Carts & Lockers—Product Design Rationale," 2004, 2 pages.
 "elfa® Platinum Garage System," printed from www.organize.com in May 2006, 2 pages.
 "QBO Storage Solution," www.topdeg.com/topdeg/product.do?catid=us_75&prodid=pp_QBO, printed in May 2006, 2 pages.
 "Cubo Modular Storage," www.topdeg.com/topdeg/product.do?catid=us_75&prodid=pp_CUBIC, printed in May 2006, 3 pages.
 Storage Member publicly available in IKEA stores at least as early as Jan. 2000.

* cited by examiner

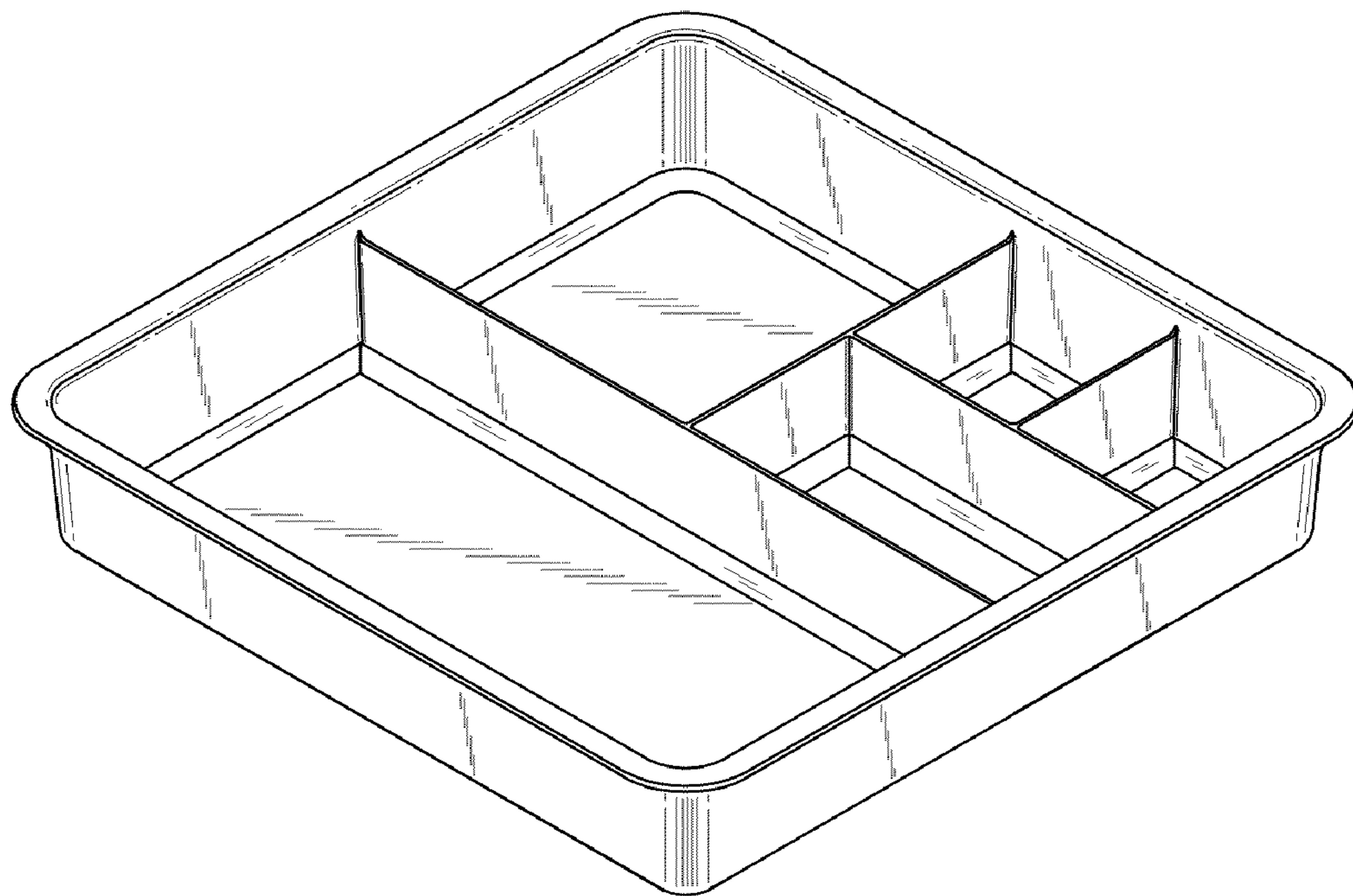


Fig. 1

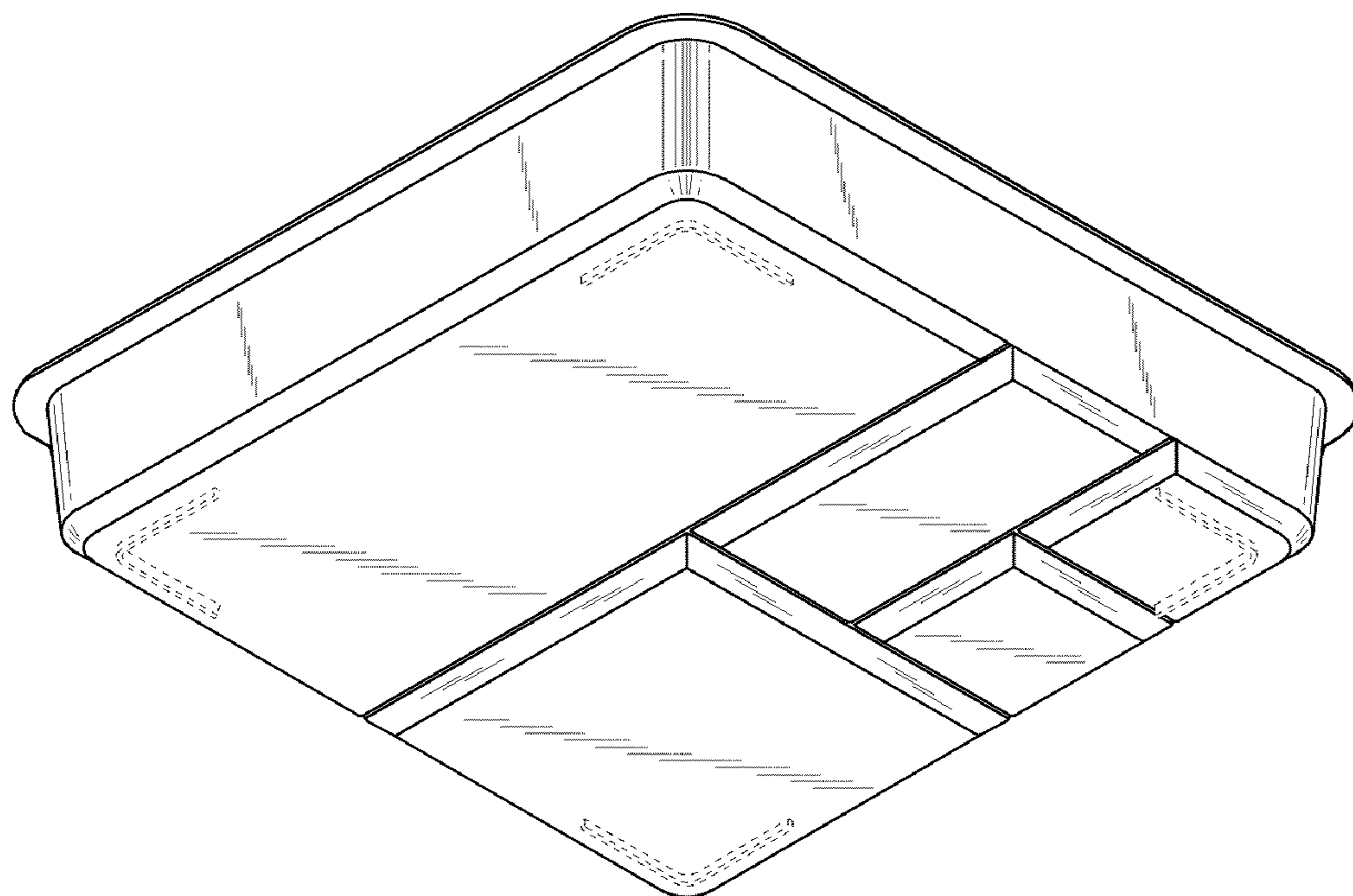


Fig. 2

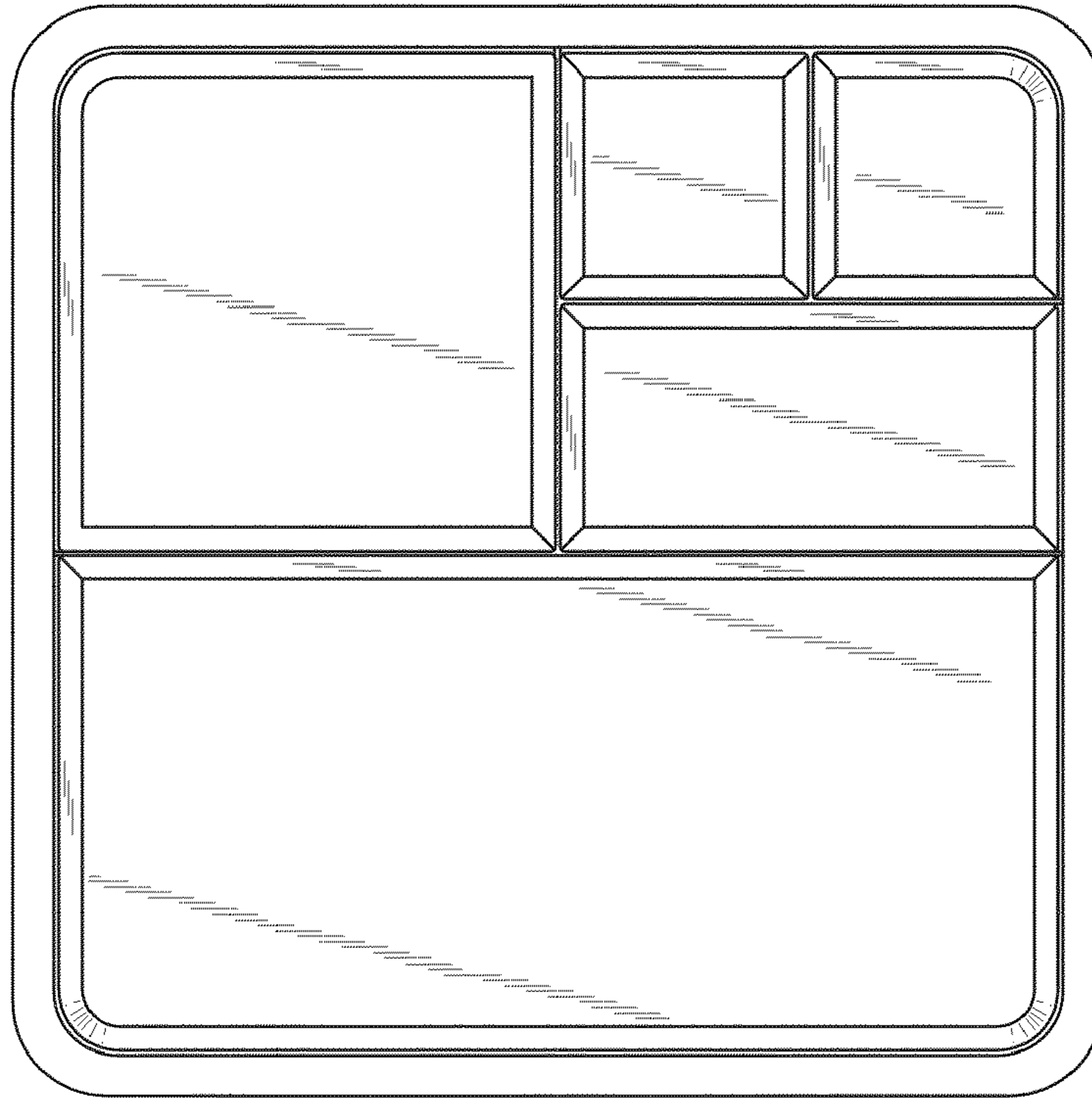


Fig. 3

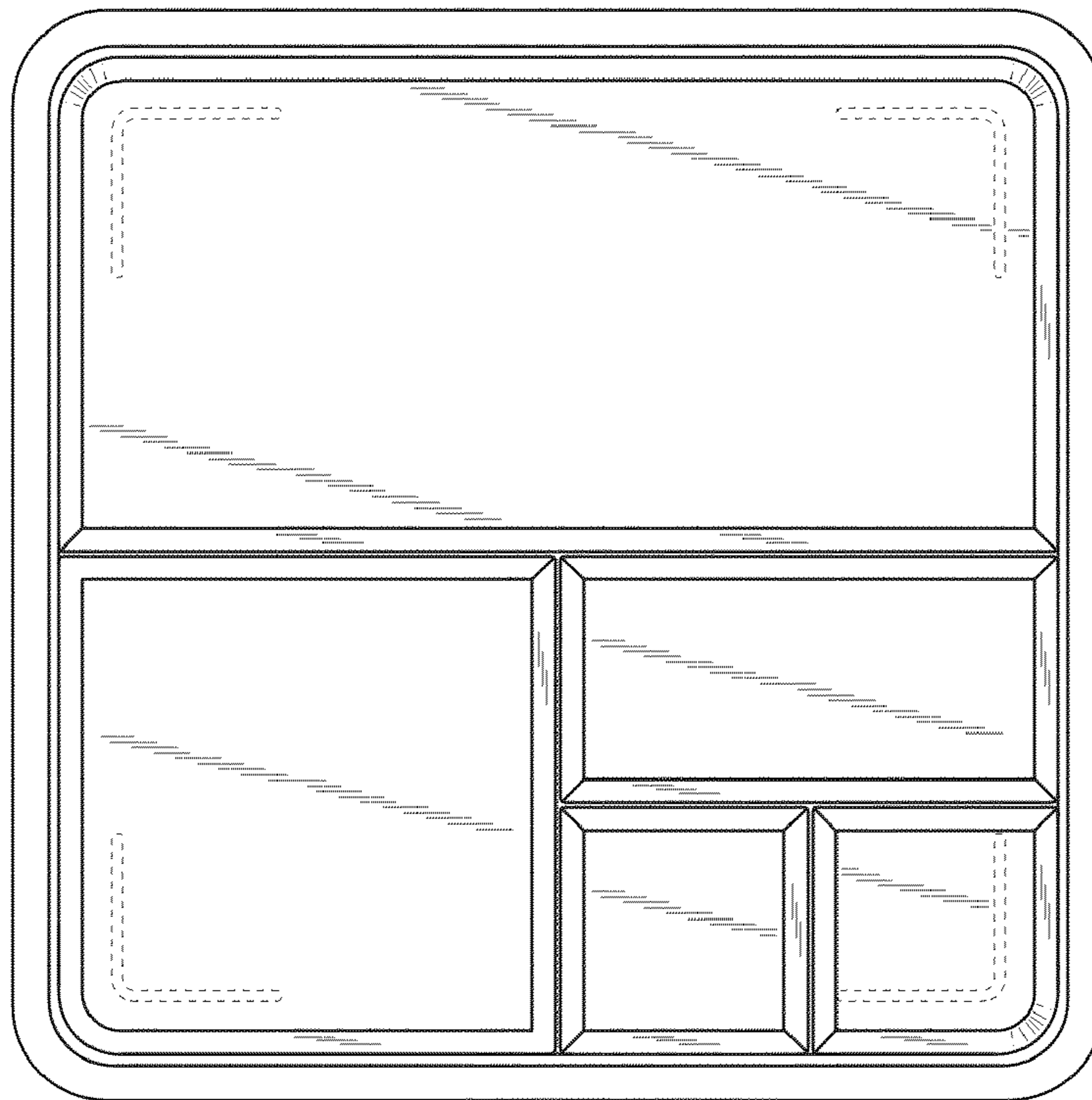


Fig. 4

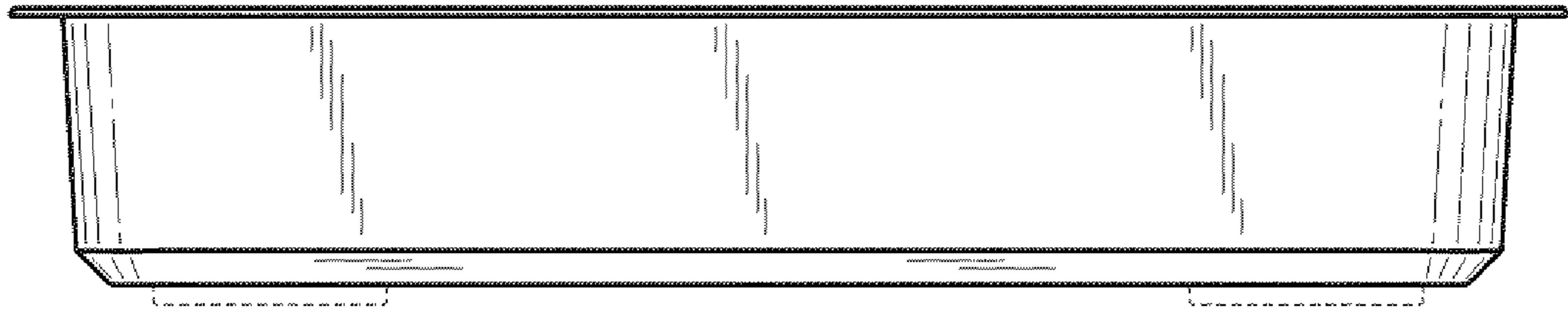


Fig. 5

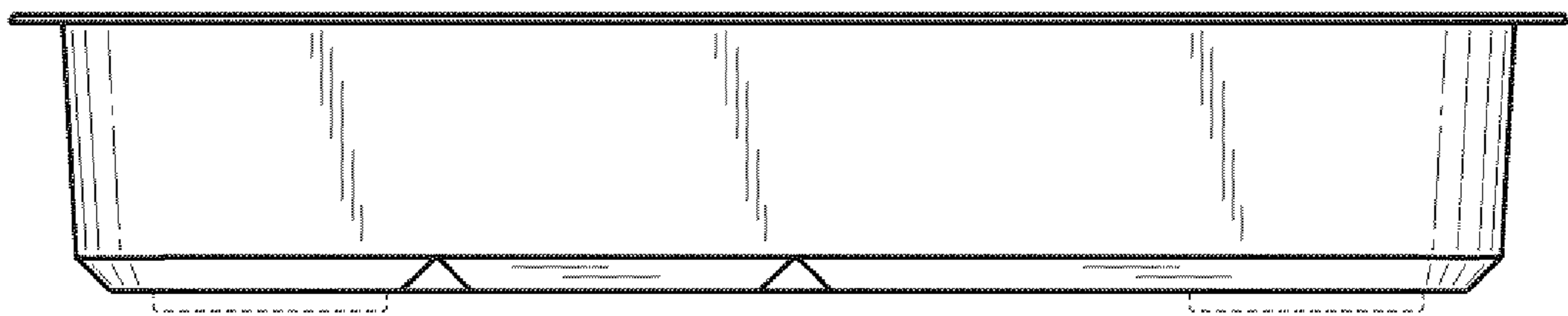


Fig. 6

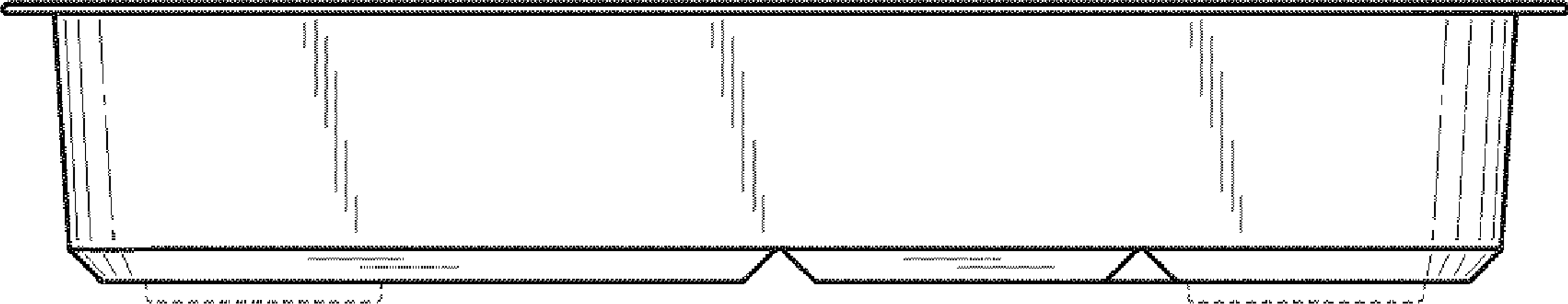


Fig. 7

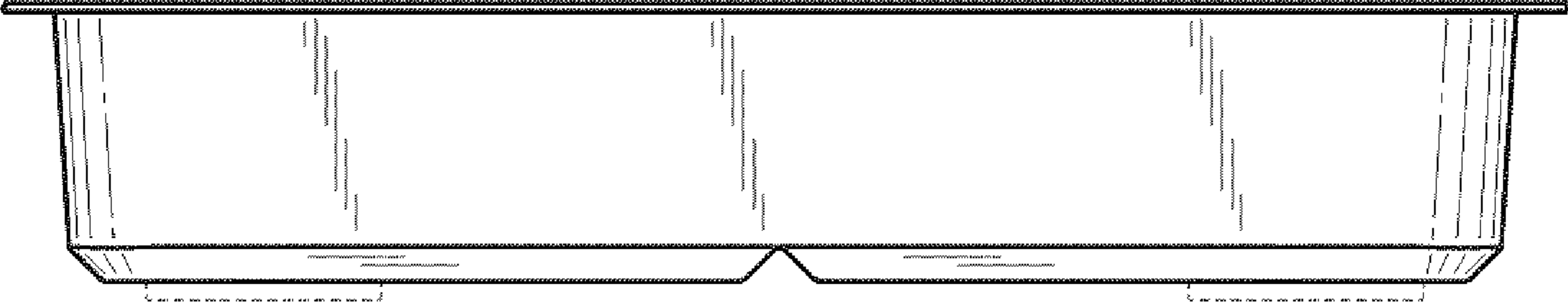


Fig. 8