



US00D605892S

(12) **United States Design Patent**  
**Proffitt et al.**

(10) **Patent No.:** **US D605,892 S**

(45) **Date of Patent:** **\*\* Dec. 15, 2009**

(54) **GAS GRILL**

(75) Inventors: **Mark Proffitt**, Greeneville, TN (US);  
**Devin Lee Moore**, Decatur, GA (US);  
**Collin Sobczynski Farill**, Decatur, GA (US)

(73) Assignee: **Meco Corporation**, Greeneville, TN (US)

(\*\*) Term: **14 Years**

(21) Appl. No.: **29/299,821**

(22) Filed: **Jan. 4, 2008**

(51) **LOC (9) Cl.** ..... **07-03**

(52) **U.S. Cl.** ..... **D7/334**

(58) **Field of Classification Search** ..... D7/332-337,  
D7/402-405, 352, 353; 126/519, 25 R, 25 A,  
126/25 AA, 41 R, 29, 30, 9 R, 38, 37 R, 40,  
126/50, 250; 99/444-445, 448, 481-482,  
99/372, 375, 250, 389

See application file for complete search history.

(56) **References Cited**

**U.S. PATENT DOCUMENTS**

D406,489 S \* 3/1999 Williams et al. .... D7/334

D521,308 S \* 5/2006 Tseng ..... D7/334  
D549,511 S \* 8/2007 Chung ..... D7/334  
D566,456 S \* 4/2008 Proffitt ..... D7/334  
D569,168 S \* 5/2008 Pai ..... D7/334  
D571,142 S \* 6/2008 Chung ..... D7/334  
D571,604 S \* 6/2008 Chung ..... D7/334  
D571,605 S \* 6/2008 Chung ..... D7/334

\* cited by examiner

*Primary Examiner*—Ruth McInroy

(74) *Attorney, Agent, or Firm*—McGuireWoods LLP

(57) **CLAIM**

We claim the ornamental design for a gas grill, as shown and described.

**DESCRIPTION**

FIG. 1 is a front and left-side perspective view of a gas grill showing our new design;

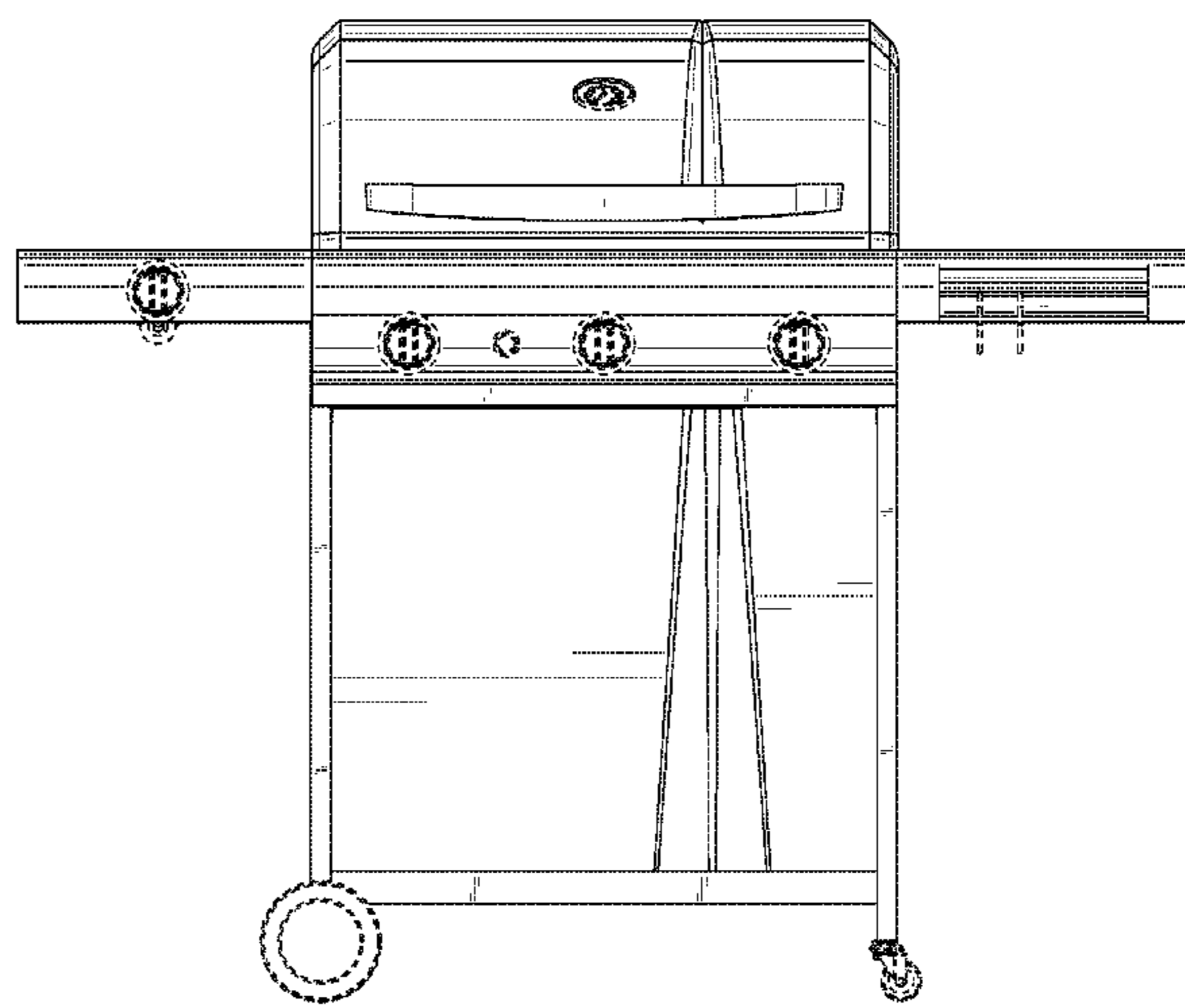
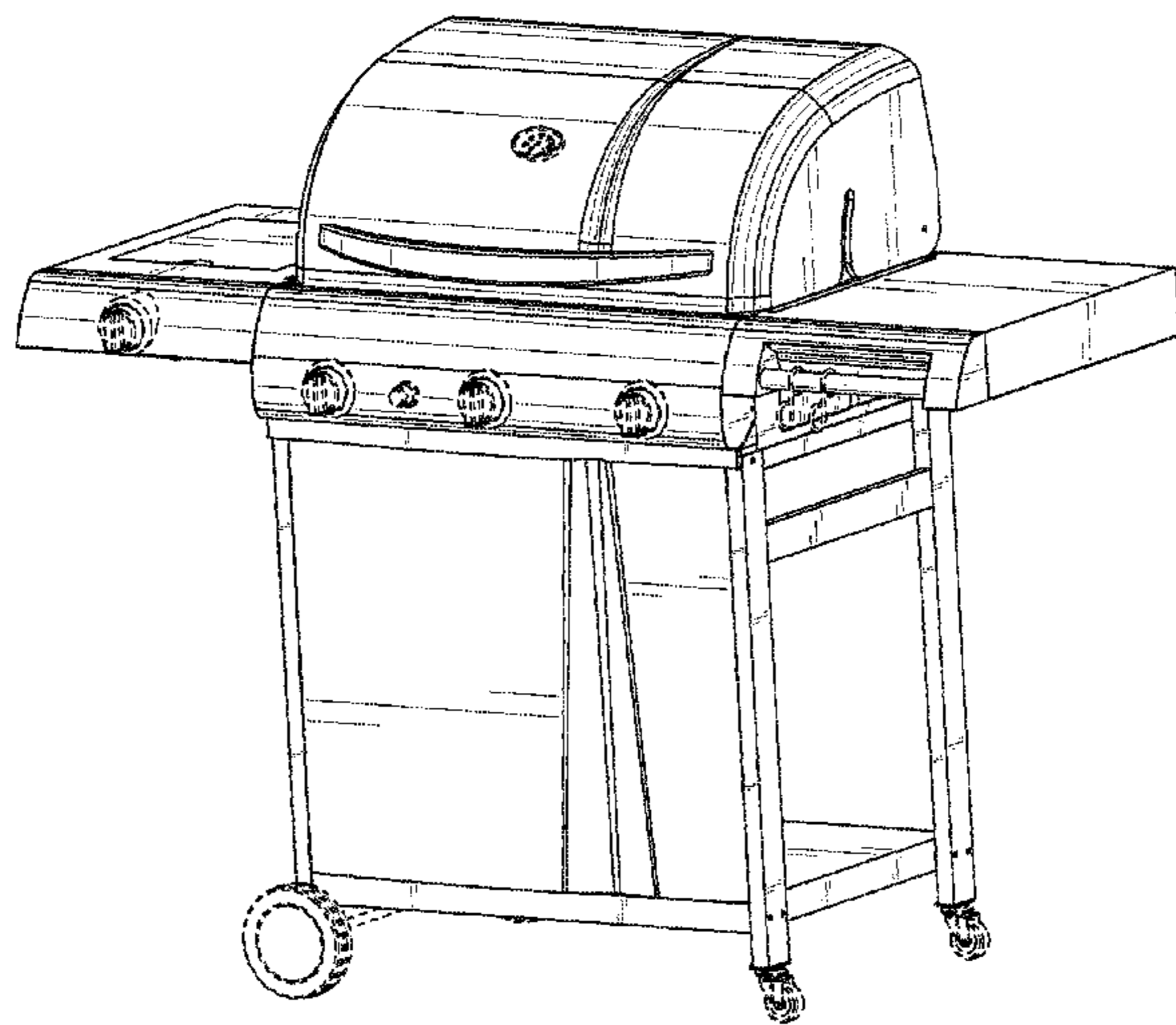
FIG. 2 is a top plan view thereof;

FIG. 3 is a front view thereof; and,

FIG. 4 is a left side view thereof.

Any surfaces of the design not shown, including interior or bottom surfaces, form no part of the claimed invention.

**1 Claim, 4 Drawing Sheets**



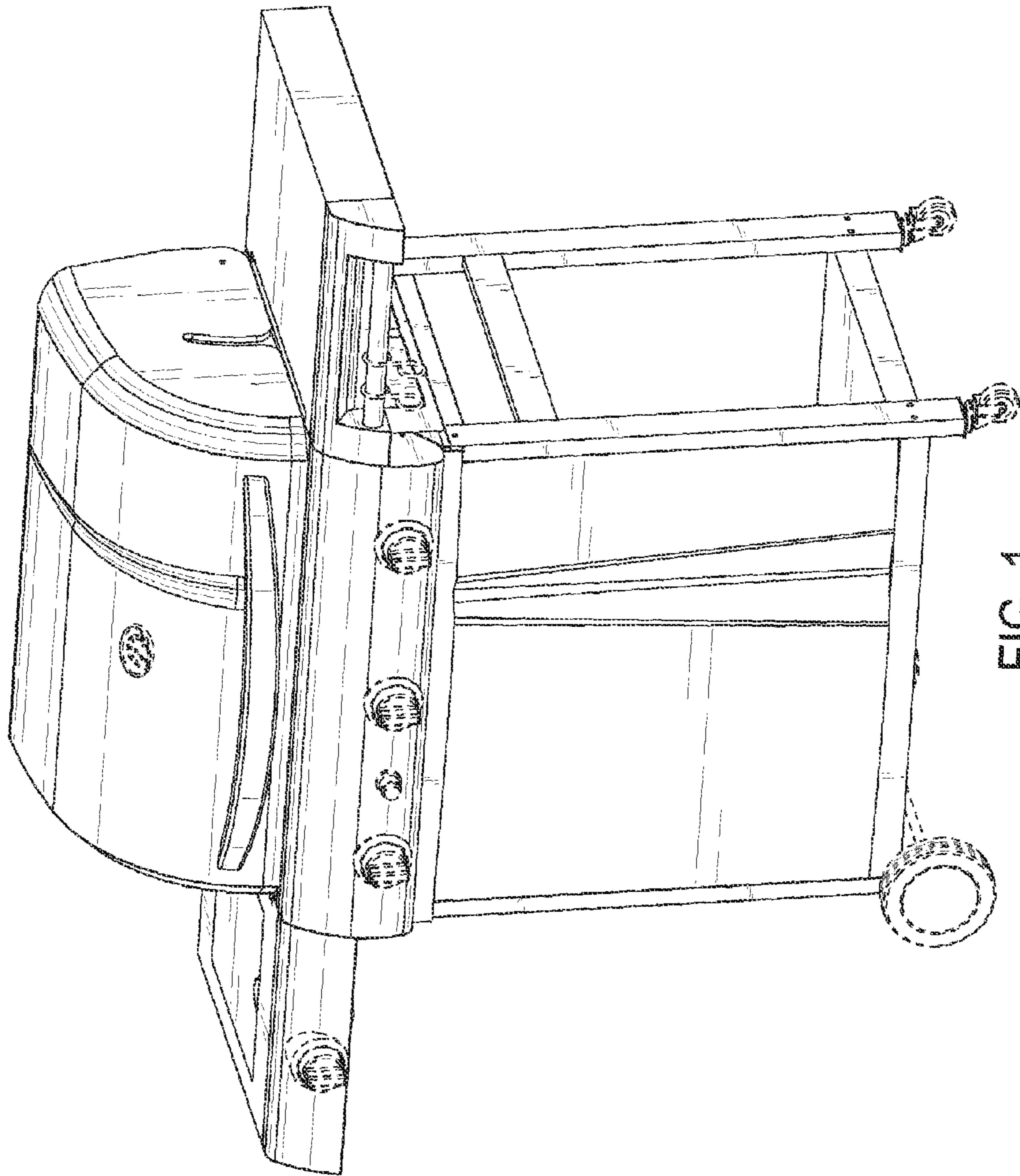


FIG. 1

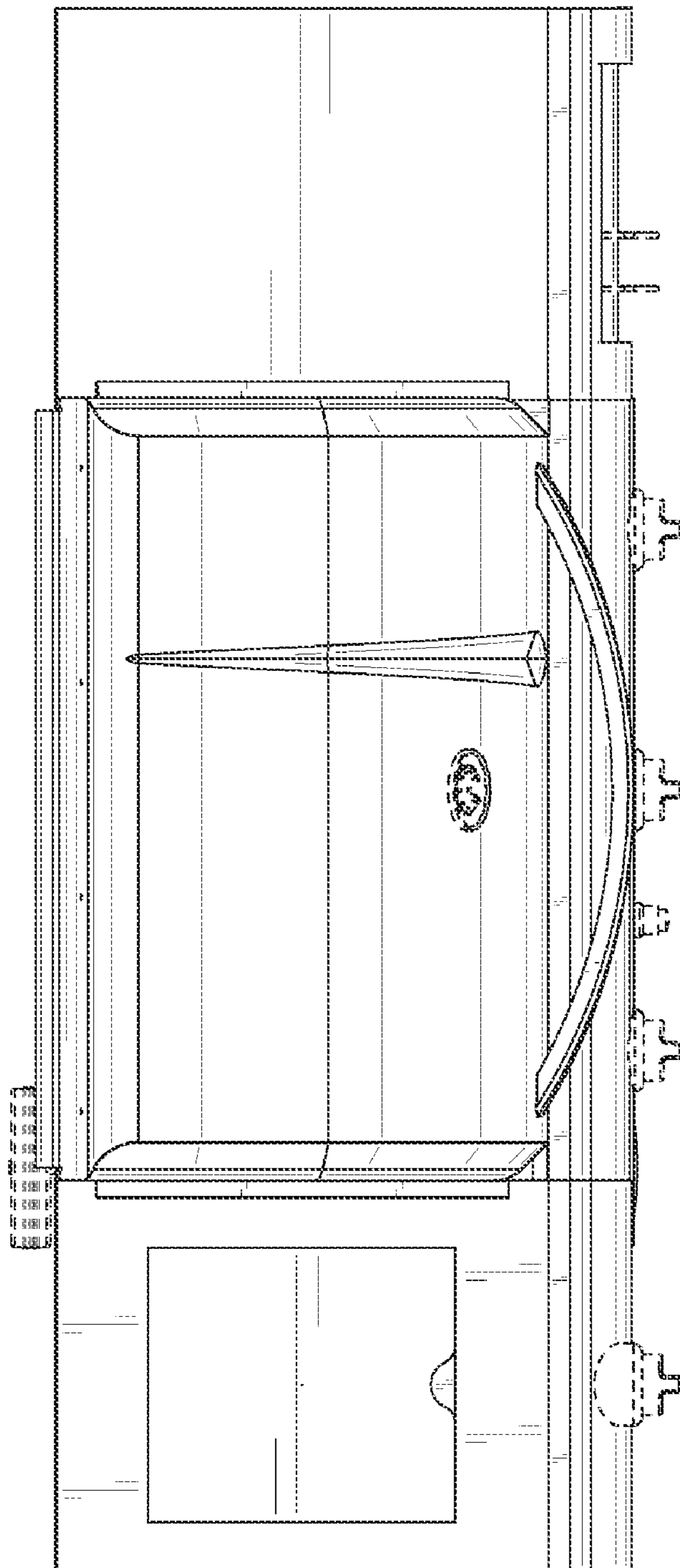


FIG. 2

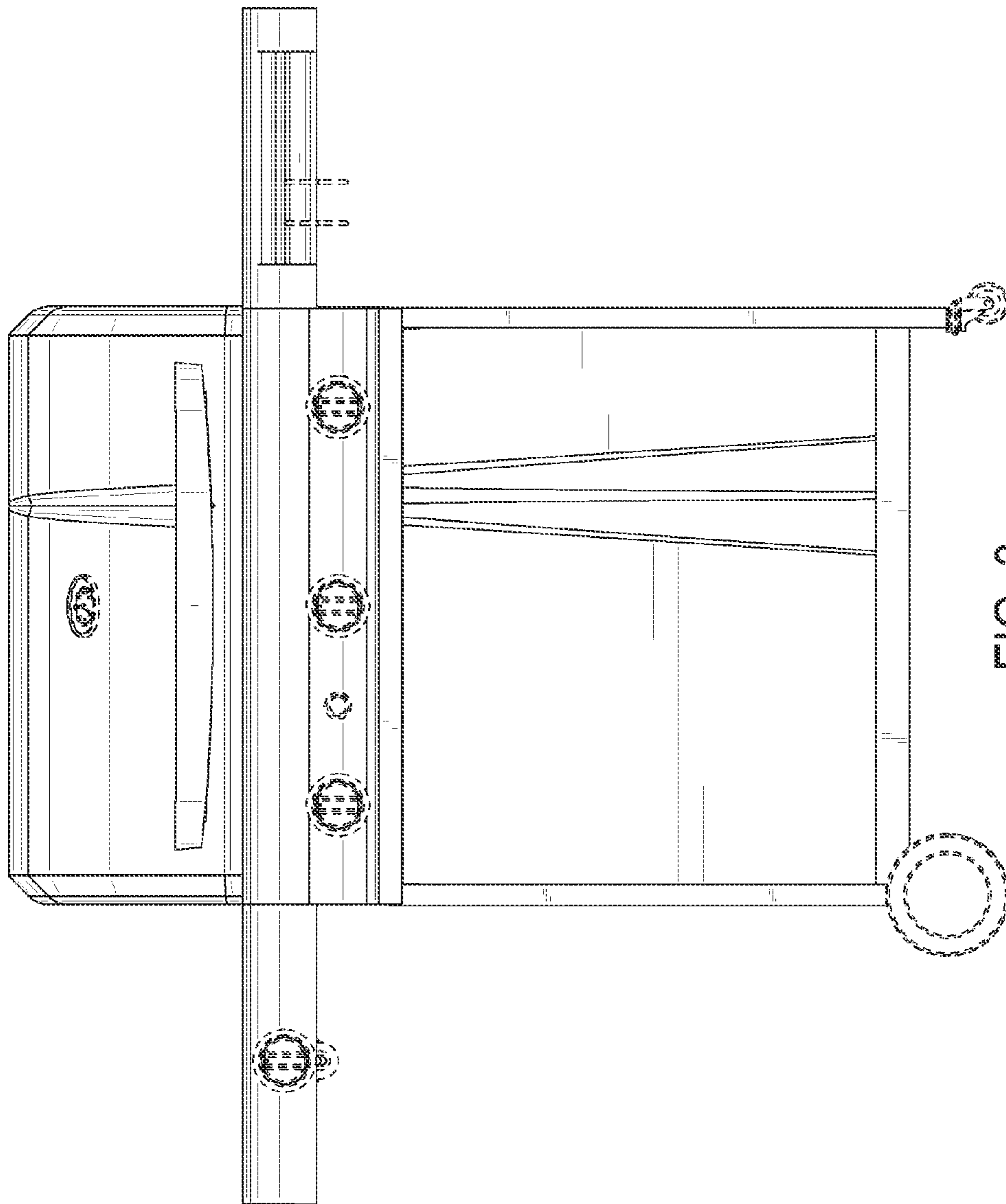


FIG. 3

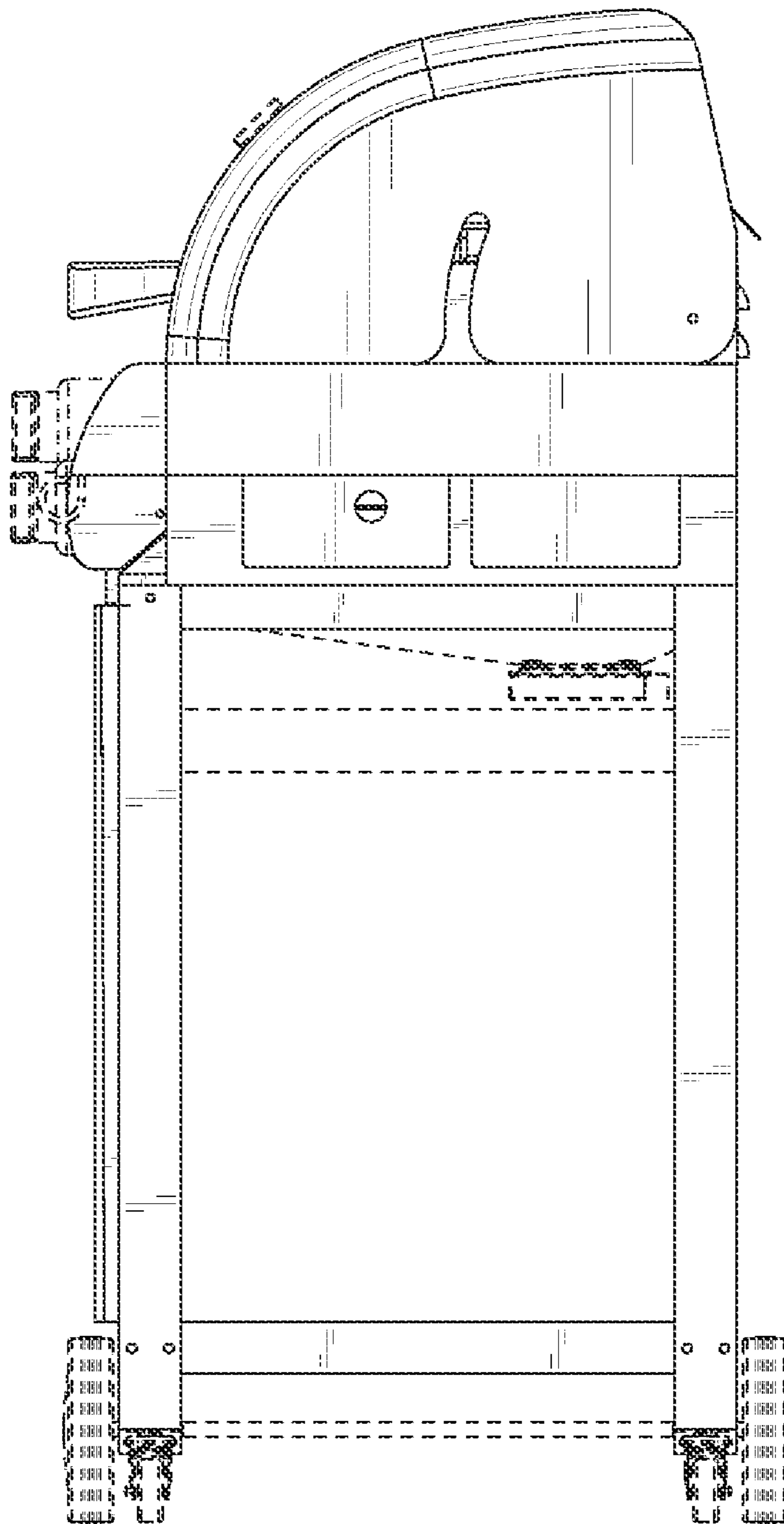


FIG. 4