



US00D605891S

(12) **United States Design Patent**
Kizilbayir

(10) **Patent No.:** **US D605,891 S**

(45) **Date of Patent:** **** Dec. 15, 2009**

(54) **ELECTRICAL TOASTER**

D568,669 S * 5/2008 Kizilbayir D7/328

* cited by examiner

(76) Inventor: **Atil Kizilbayir**, Halkali Cad. Orbey Sk.
Akquin Apt. No. 2/2, Sefakoy/Istanbul
(TR)

Primary Examiner—Caron Veynar

Assistant Examiner—Ricky Pham

(74) *Attorney, Agent, or Firm*—Venable, Campillo, Logan &
Meaney, P.C.

(**) Term: **14 Years**

(21) Appl. No.: **29/323,211**

(57) **CLAIM**

(22) Filed: **Aug. 20, 2008**

The ornamental design for an electrical toaster, as shown and described.

(51) **LOC (9) Cl.** **07-02**

(52) **U.S. Cl.** **D7/330**

(58) **Field of Classification Search** D7/323,
D7/328–333, 340–341, 346, 354–365, 367,
D7/385, 390, 402, 405–411; D13/158, 162,
D13/162.1, 163; 99/331–332, 357, 375,
99/385; 219/214, 388, 405, 443.1, 450.1,
219/489, 492, 532

DESCRIPTION

FIG. 1 is a front right side perspective view of an electrical toaster showing my new design;

FIG. 2 is a front left side perspective view thereof;

FIG. 3 is a front right side perspective view thereof; shown with the bread holder partially removed for completeness of illustration;

See application file for complete search history.

FIG. 4 is a top plan view thereof drawn on a reduced scale;

FIG. 5 is a bottom plan view thereof drawn on a reduced scale;

FIG. 6 is a perspective view of bread holder; shown with the support end being transparent and shown separately for ease of illustration; and,

(56) **References Cited**

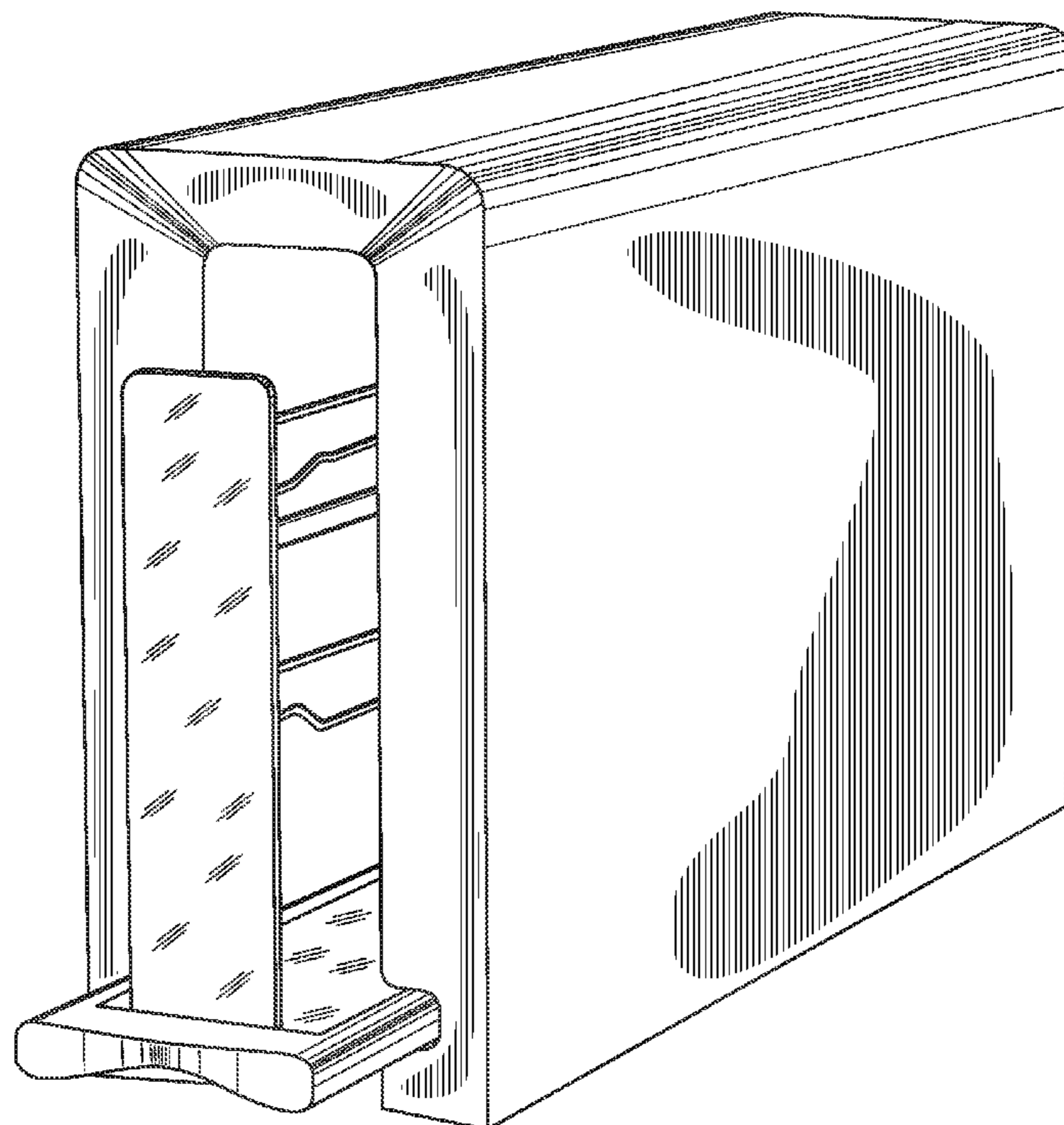
U.S. PATENT DOCUMENTS

D105,779 S *	8/1937	Preston	D7/328
D287,808 S *	1/1987	Stutzer et al.	D7/330
D297,391 S *	8/1988	Ansel	D7/330
D298,997 S *	12/1988	Mezey	D7/330
D300,498 S *	4/1989	Ansel	D7/330
D329,161 S *	9/1992	Eisenberg	D7/330
D342,862 S *	1/1994	Kurz	D7/330
D474,062 S *	5/2003	Littmann	D7/330
D475,234 S *	6/2003	Takase et al.	D7/328

FIG. 7 is a perspective view of bread holder; shown with the support end translucent/solid and shown separately for ease of illustration.

The broken lines in FIG. 6 and 7 are for illustrative purposes only and form no part of the claimed design.

1 Claim, 5 Drawing Sheets



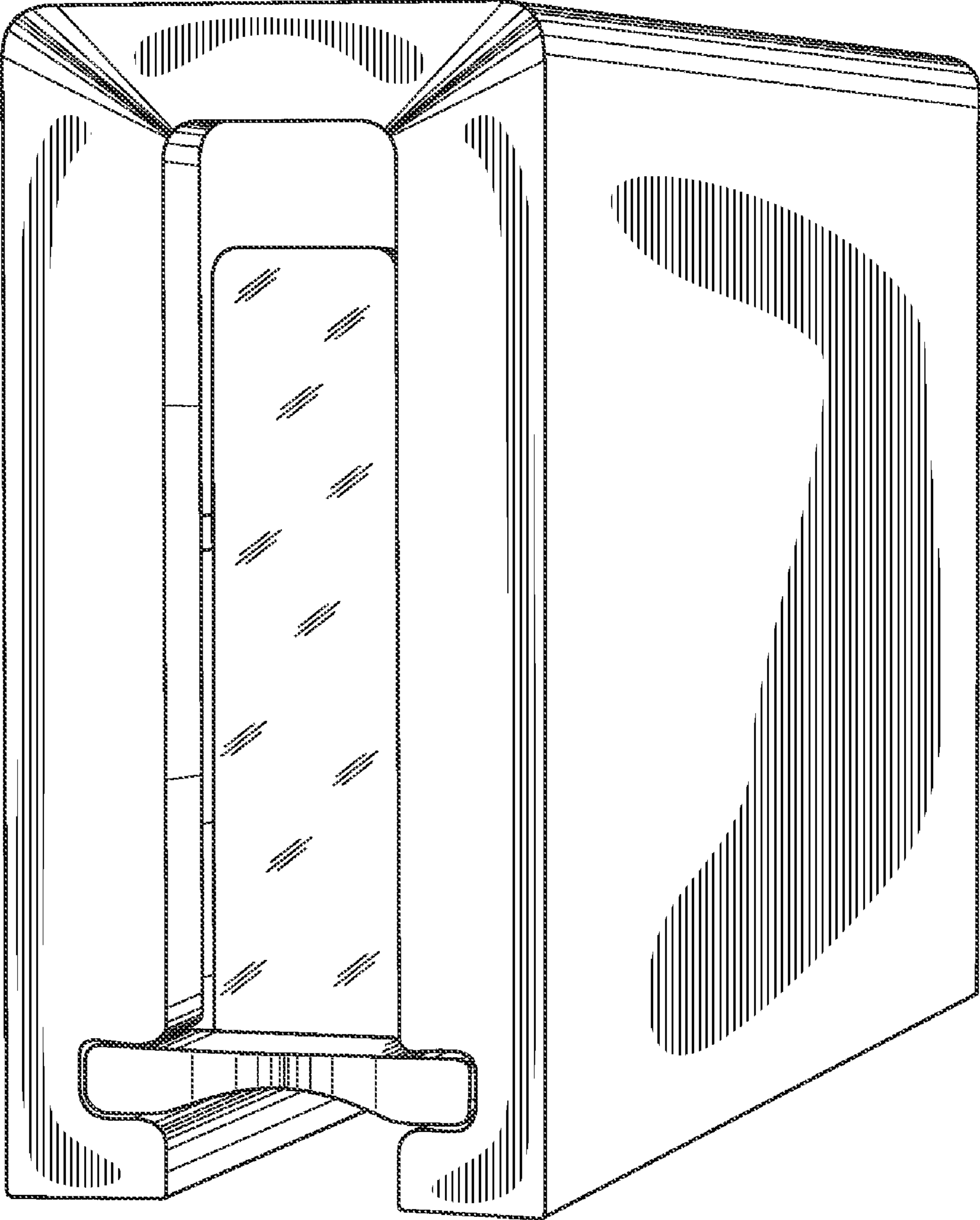


Fig. 1

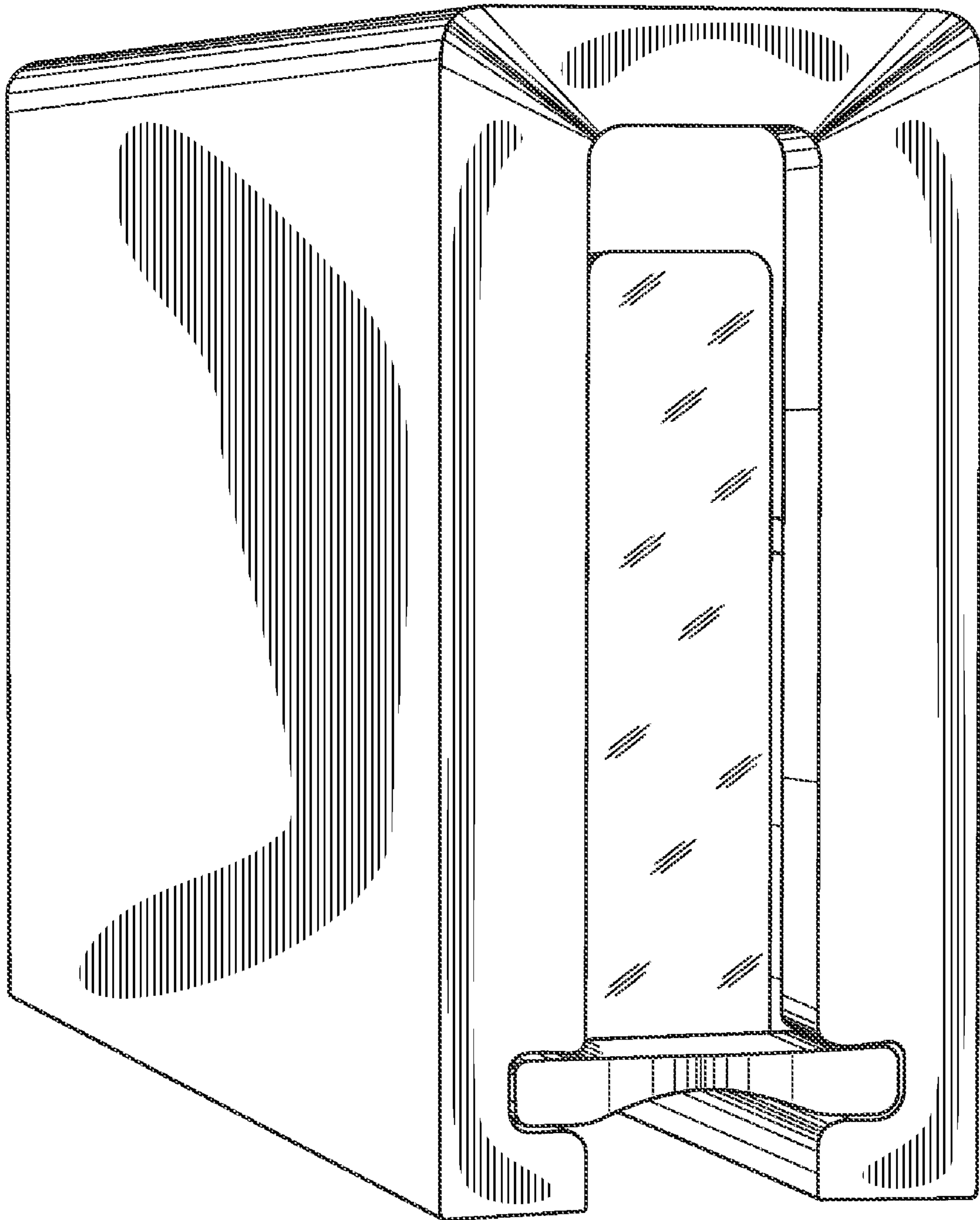


Fig. 2

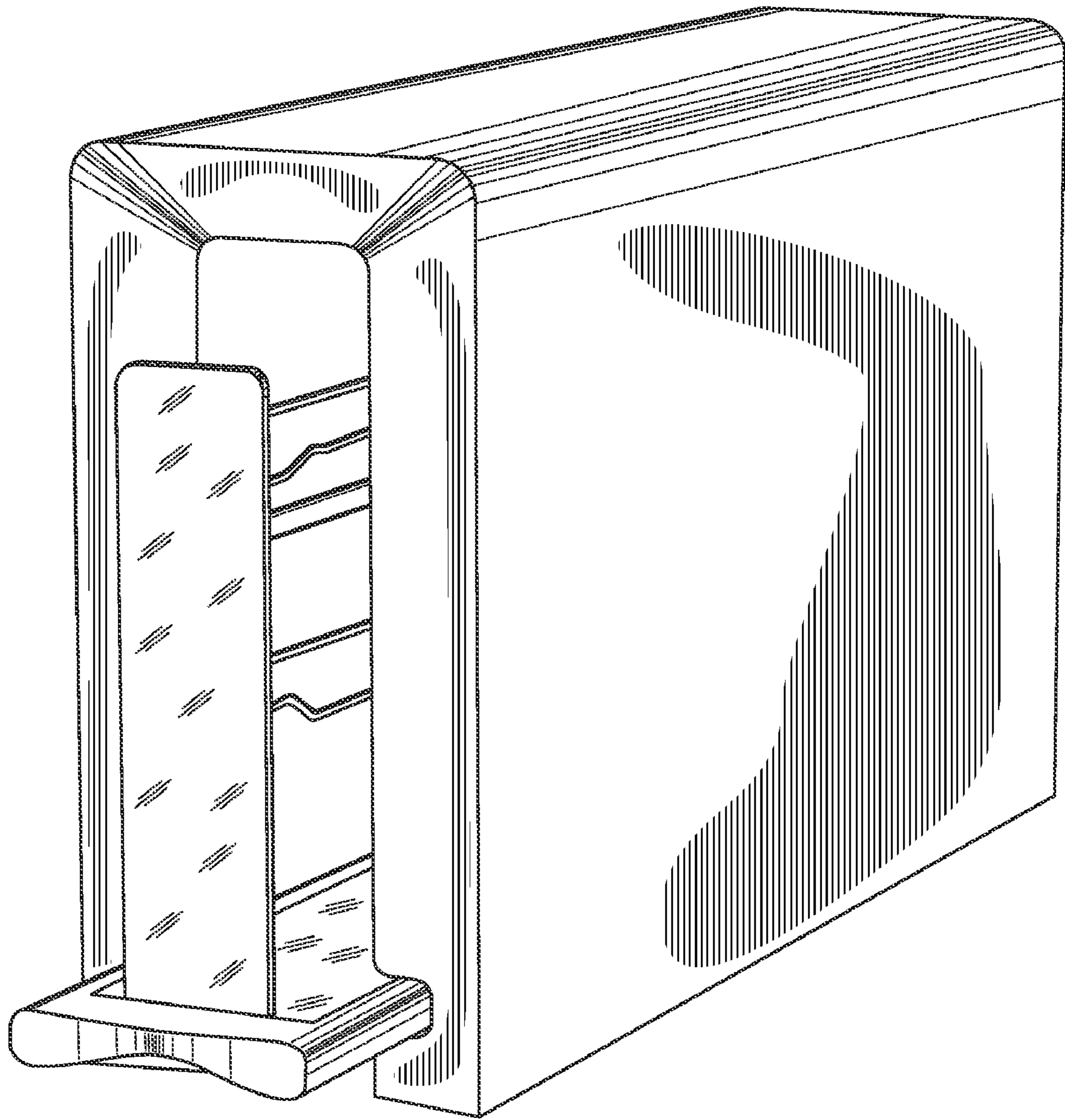


Fig. 3

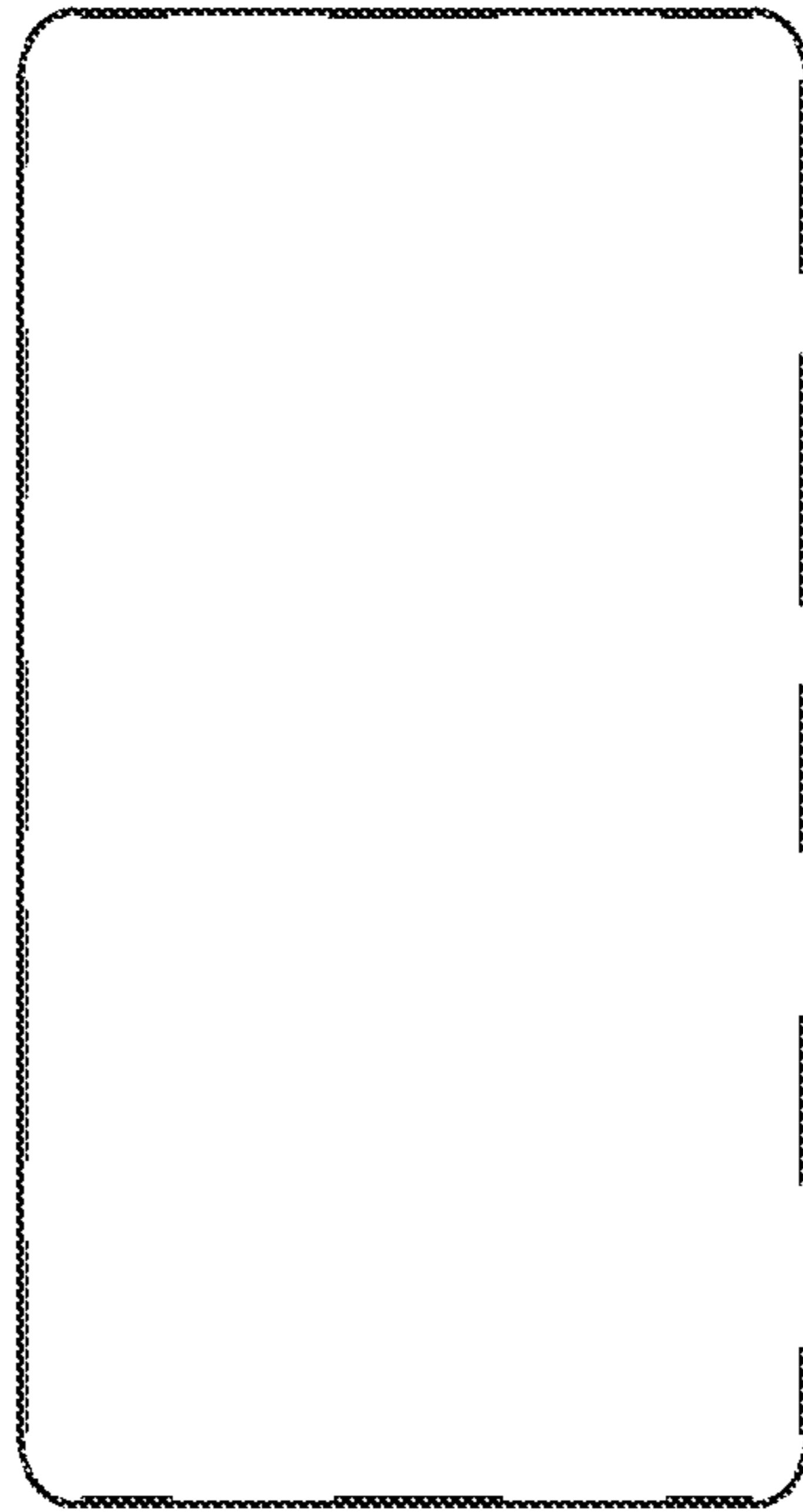


Fig. 4

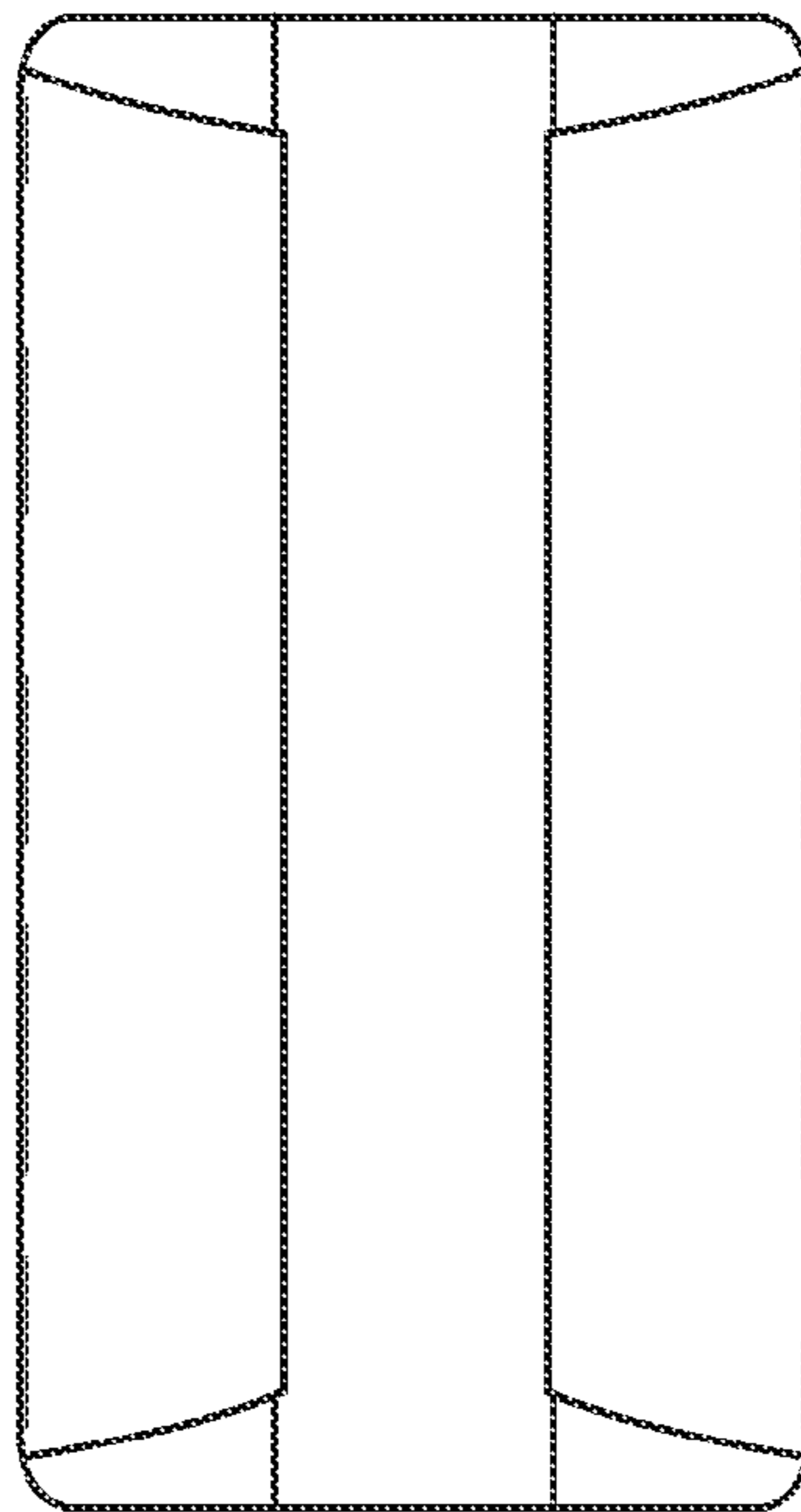


Fig. 5

Fig. 6

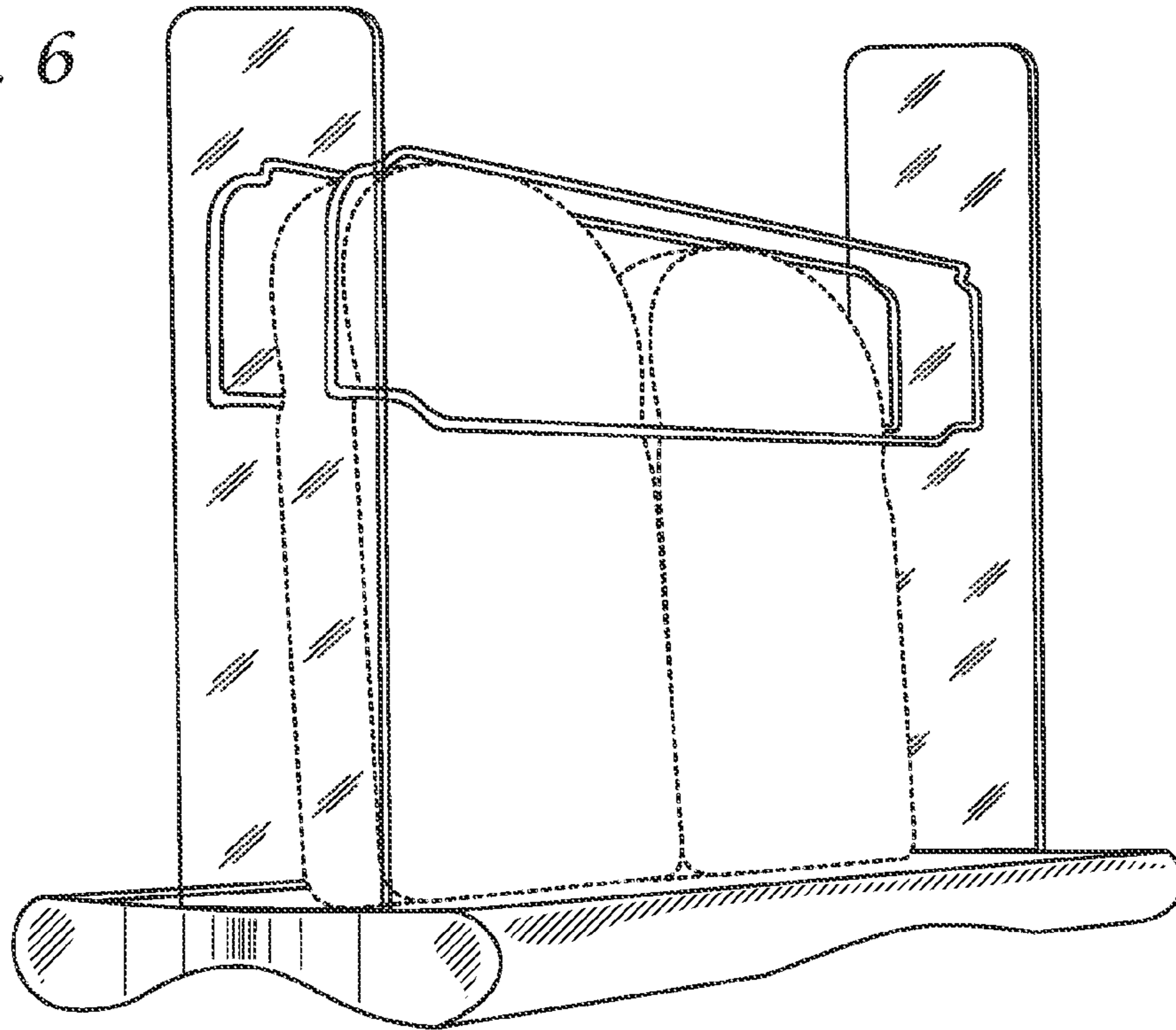


Fig. 7

