



US00D605888S

(12) **United States Design Patent**
Gu

(10) **Patent No.:** **US D605,888 S**

(45) **Date of Patent:** **** Dec. 15, 2009**

(54) **ELECTRIC DRINK DISPENSER**

(76) Inventor: **Yi Lin Gu**, 2F., 3rd Phase, Wanli Science
& Technology Park, Futian Duty Free
Zone, Shenzhen, Guangdong Province
(CN)

(**) Term: **14 Years**

(21) Appl. No.: **29/327,833**

(22) Filed: **Nov. 14, 2008**

(51) **LOC (9) Cl.** **07-01**

(52) **U.S. Cl.** **D7/301; D7/302; D7/306**

(58) **Field of Classification Search** D7/300,
D7/301, 306-311, 302; 222/129.1-129.4,
222/146.6, 185.1; 220/737; 99/279
See application file for complete search history.

(56) **References Cited**

U.S. PATENT DOCUMENTS

- D276,687 S * 12/1984 Marin D7/301
- D489,930 S * 5/2004 Tse D7/306
- D499,598 S * 12/2004 Guadalupi D7/306

- D521,304 S * 5/2006 Mandel D7/301
- D563,142 S * 3/2008 Kauer D7/306
- D570,148 S * 6/2008 Garman D7/306
- D591,100 S * 4/2009 Schneider D7/306

* cited by examiner

Primary Examiner—Marianne Pandozzi

(57) **CLAIM**

The ornamental design for an electric drink dispenser, as shown and described.

DESCRIPTION

FIG. 1 is a front elevational view of an electric drink dispenser showing my new design;

FIG. 2 is a rear elevational view thereof;

FIG. 3 is a left side view thereof;

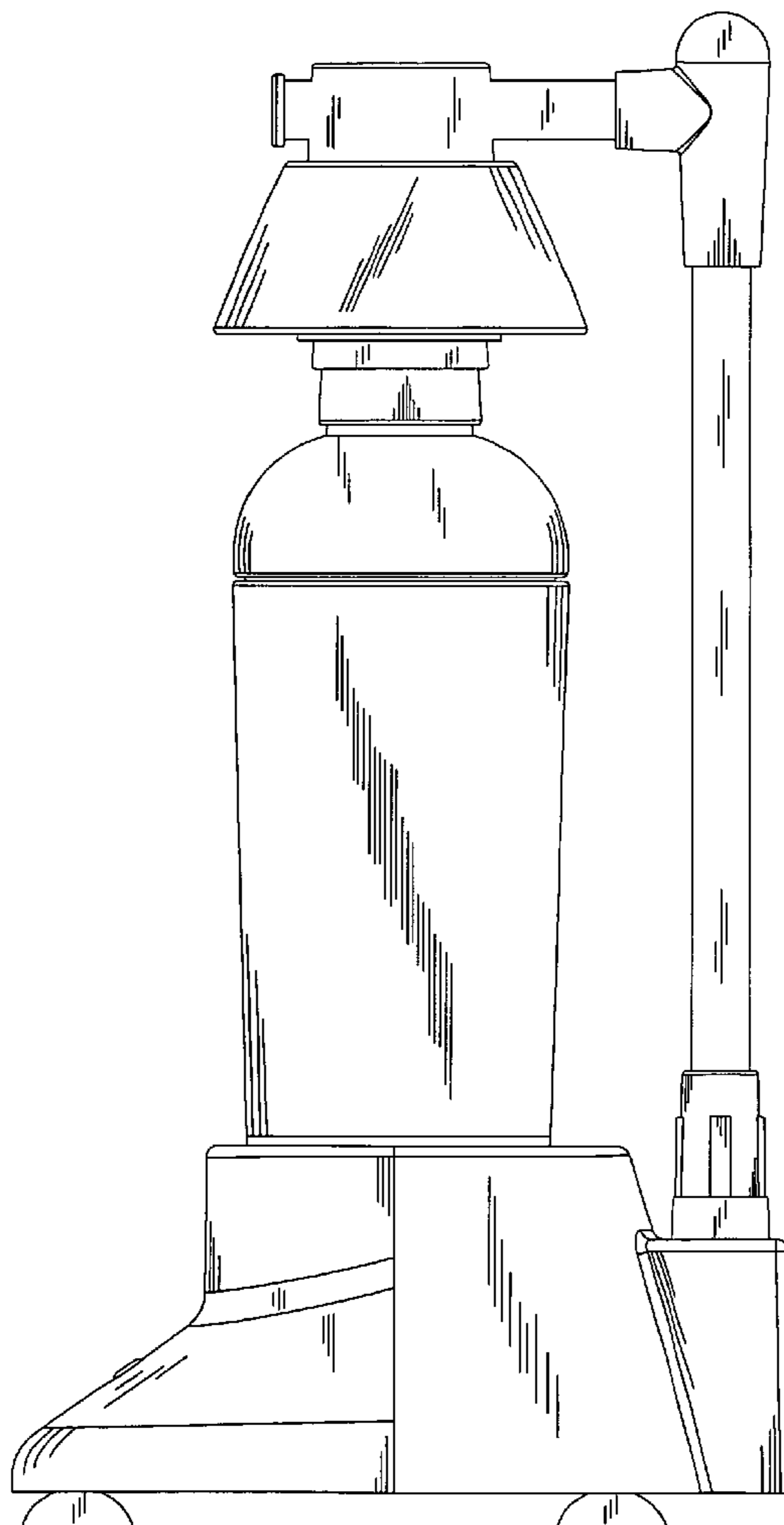
FIG. 4 is a right side view thereof;

FIG. 5 is a top plan view thereof; and,

FIG. 6 is a bottom plan view thereof.

The broken lines shown form no part of the claimed design.

1 Claim, 5 Drawing Sheets



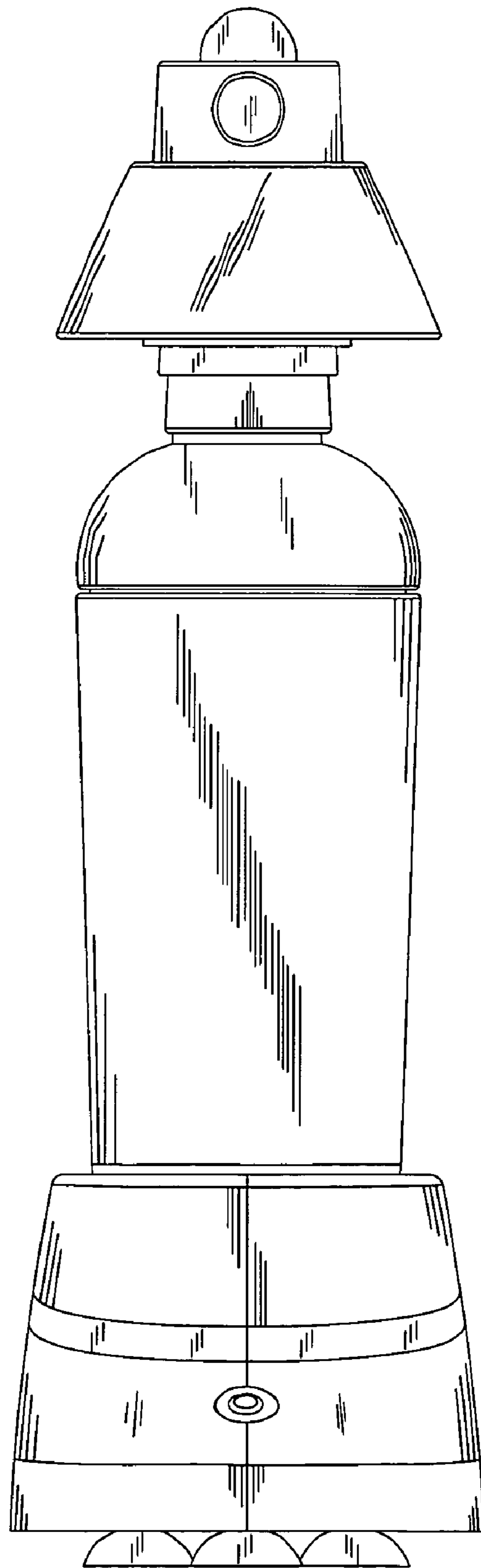


FIG. 1

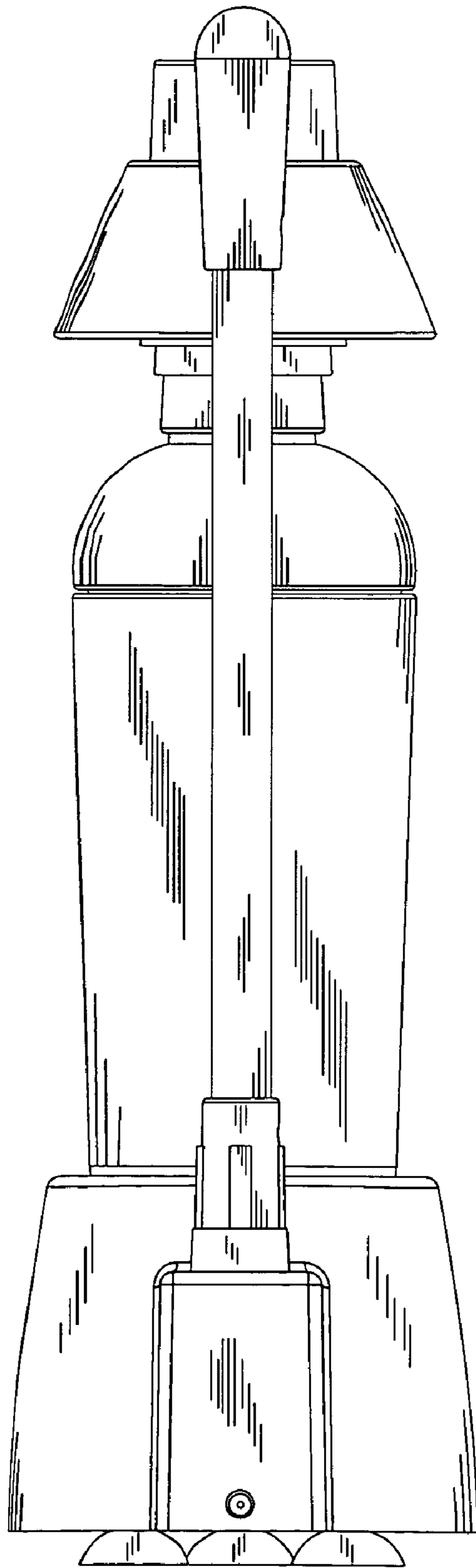


FIG. 2

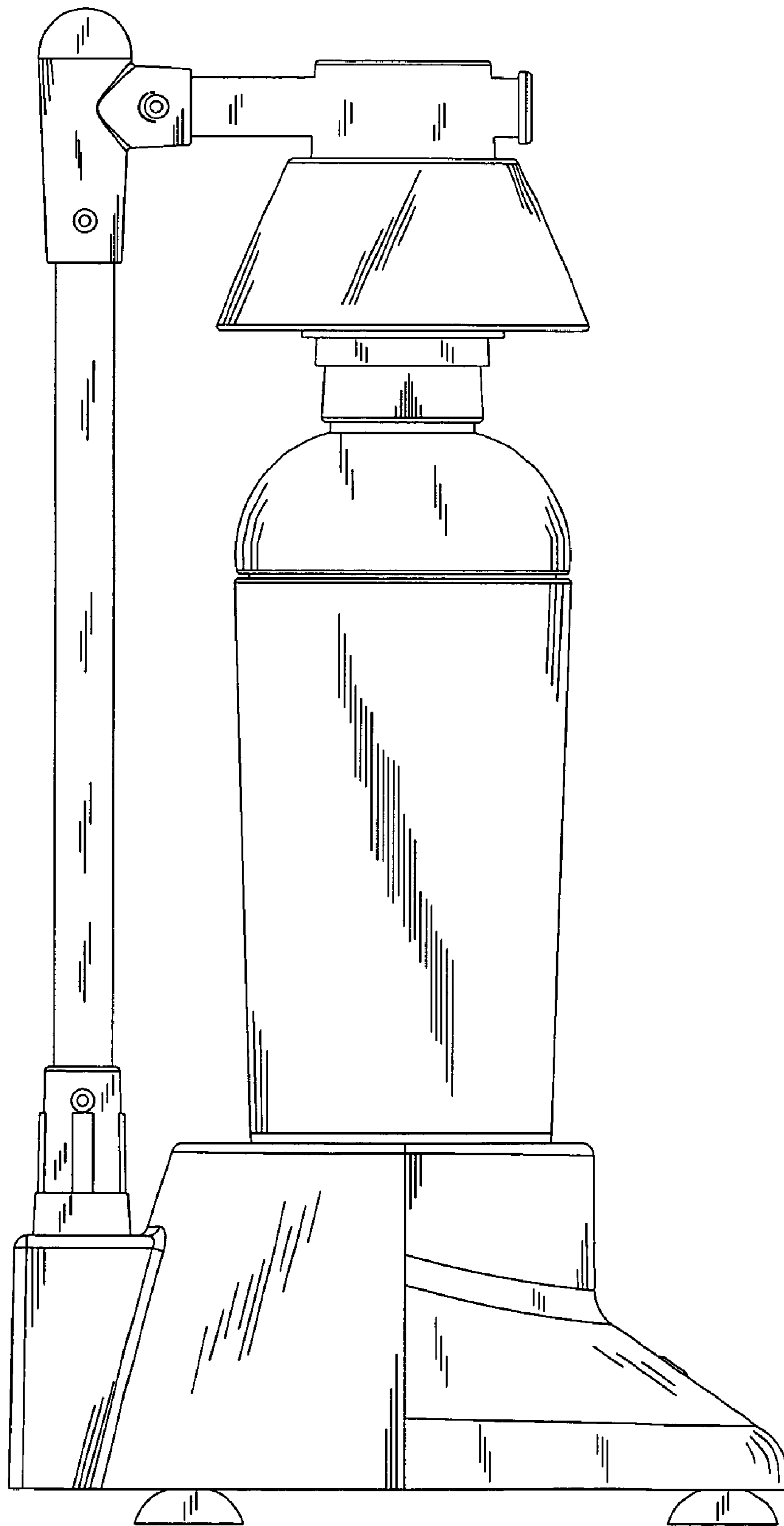


FIG. 3

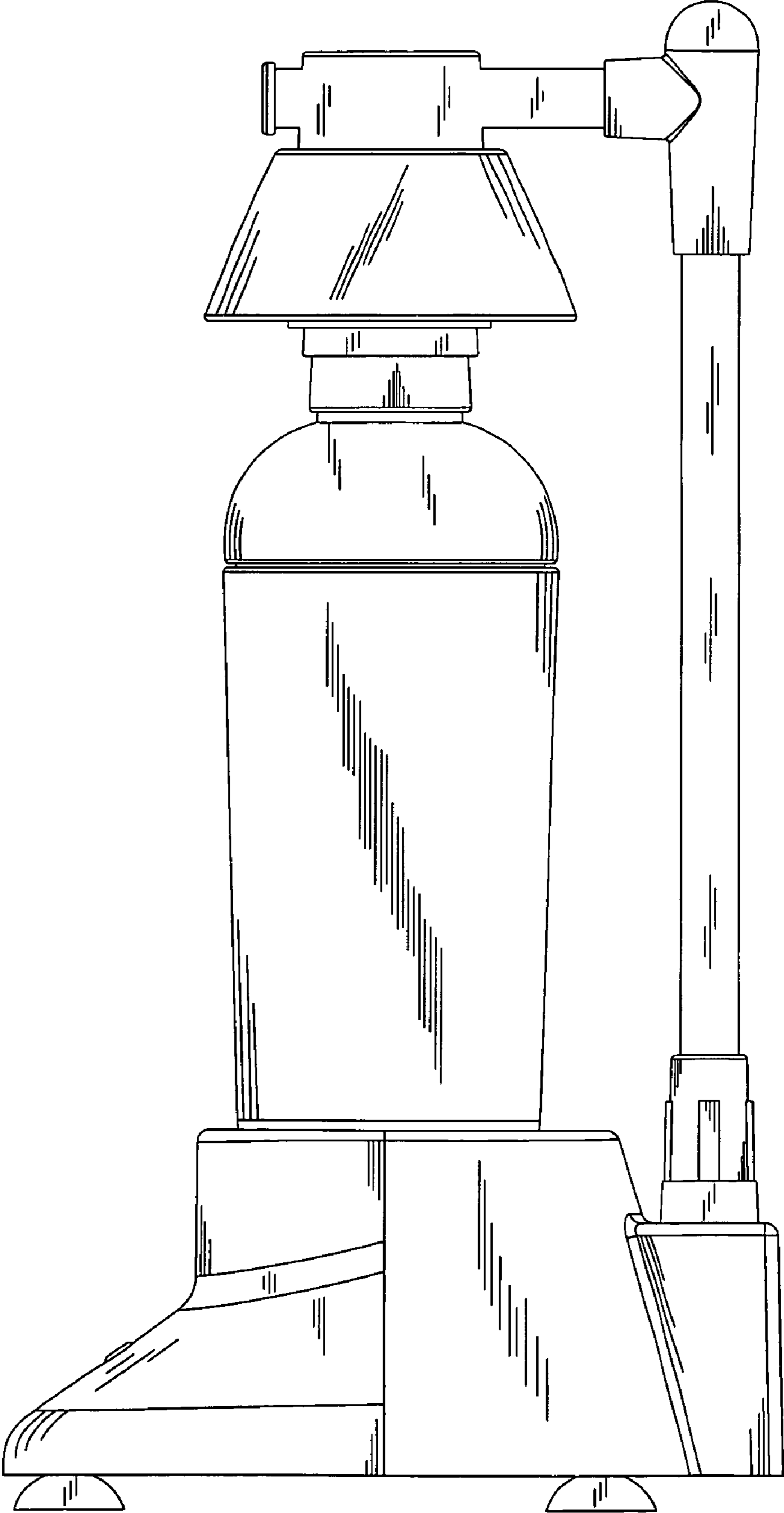


FIG. 4

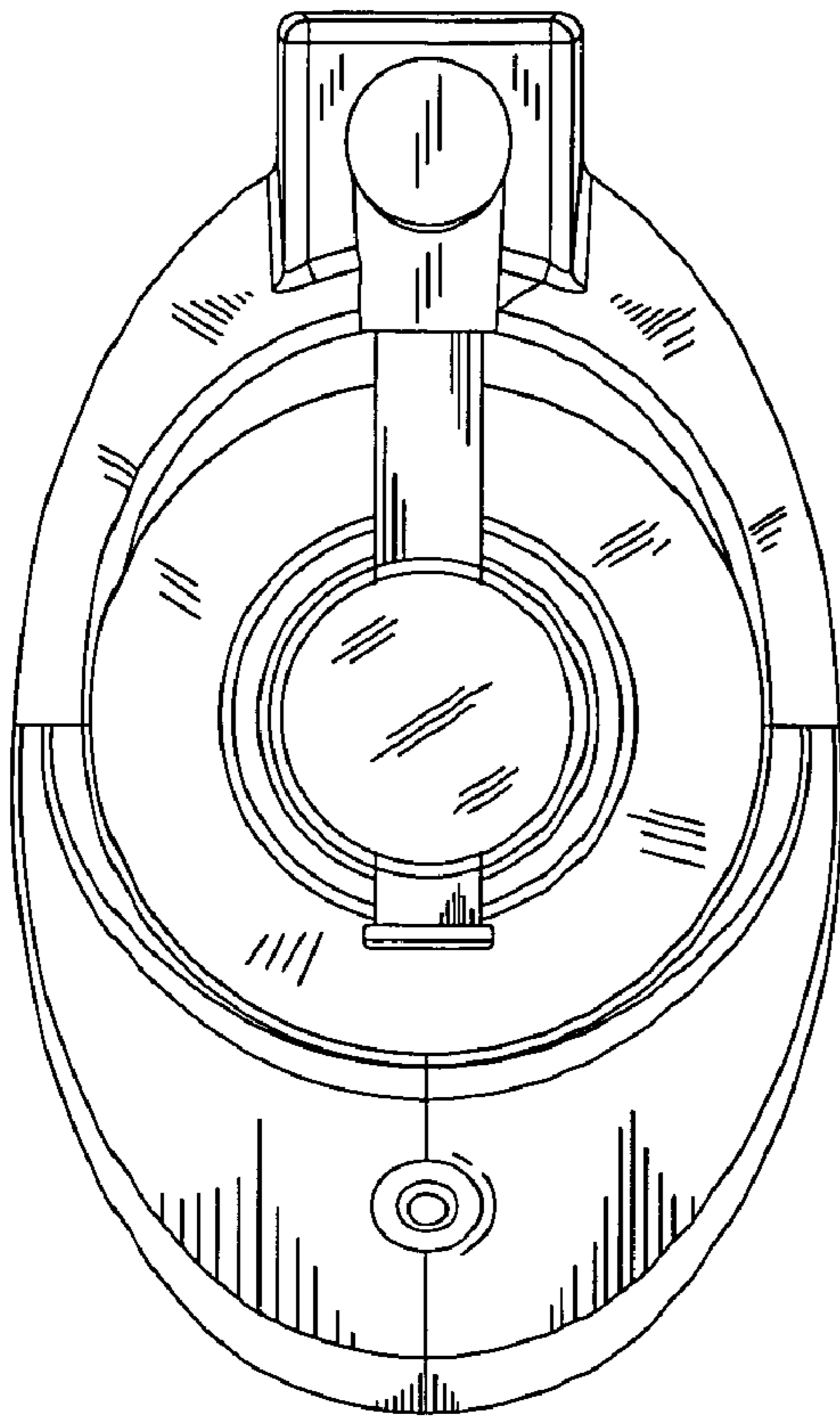


FIG. 5

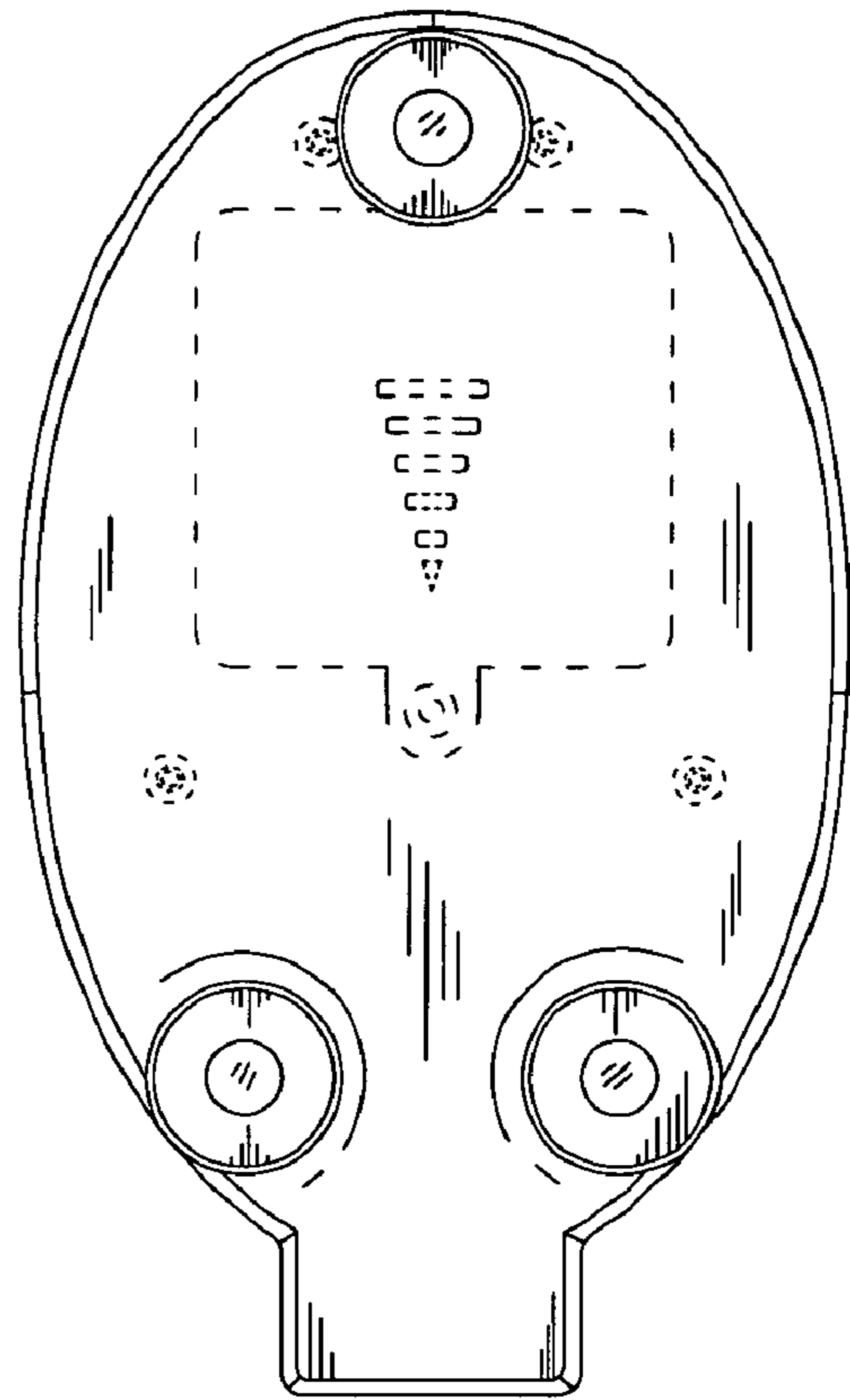


FIG. 6