



US00D605887S

(12) **United States Design Patent**
Lau

(10) **Patent No.:** **US D605,887 S**

(45) **Date of Patent:** **** Dec. 15, 2009**

(54) **DVD CASE**

(75) Inventor: **Kwok Din Lau**, Hong Kong (CN)

(73) Assignee: **Finest Products Limited**, Chaiwan,
Hong Kong (CN)

(**) Term: **14 Years**

(21) Appl. No.: **29/336,280**

(22) Filed: **Apr. 30, 2009**

(51) **LOC (9) Cl.** **06-04**

(52) **U.S. Cl.** **D6/632**

(58) **Field of Classification Search** D6/407,
D6/626-635; D3/201, 218, 273; D9/337,
D9/445, 454; D19/420, 426, 432; 206/307.1,
206/308.1, 308.2, 308.3, 309-313; 312/9.2,
312/9.9, 9.48, 9.55, 9.64, 9.47

See application file for complete search history.

(56) **References Cited**

U.S. PATENT DOCUMENTS

5,477,960	A	12/1995	Chen	
5,597,068	A	1/1997	Weisburn	
5,697,498	A	12/1997	Weisburn	
5,727,680	A	3/1998	Liu	
5,845,771	A	12/1998	Fu	
5,944,181	A	8/1999	Lau	
5,988,375	A	11/1999	Chang	
5,996,788	A	12/1999	Belden	
6,065,594	A	5/2000	Sankey	
6,155,417	A	12/2000	Flores et al.	
D437,171	S *	2/2001	Cuadrado-Serena D6/632
6,196,384	B1	3/2001	Belden, Jr.	
6,227,362	B1 *	5/2001	Cheung 206/308.1
6,237,763	B1	5/2001	Lau	
D450,973	S *	11/2001	Bieda D6/632
D452,105	S *	12/2001	Chan D6/635
6,364,108	B1	4/2002	Bin	
6,382,414	B1	5/2002	Chang	

6,425,481	B1	7/2002	Choi	
6,427,833	B1	8/2002	Hui	
6,464,073	B1	10/2002	Tang	
D465,960	S *	11/2002	Yau D6/632
6,478,150	B1	11/2002	Solling	
6,554,132	B2	4/2003	Lau	
D477,143	S *	7/2003	Nagata et al. D3/294
6,609,614	B1	8/2003	Huang	

(Continued)

FOREIGN PATENT DOCUMENTS

CN 2447910 9/2001

(Continued)

Primary Examiner—Elizabeth A Albert
Assistant Examiner—Kelley A Donnelly

(74) *Attorney, Agent, or Firm*—Sheldon Mak Rose &
Anderson PC; Danton K. Mak

(57) **CLAIM**

The ornamental design for a DVD case, as shown and described.

DESCRIPTION

FIG. 1 is a front perspective view of the DVD case of the subject invention;

FIG. 2 is a rear perspective view of the DVD case of FIG. 1;

FIG. 3 is a front plan view of the DVD case of FIG. 1;

FIG. 4 is a right side view of the DVD case of FIG. 1;

FIG. 5 is a left side view of the DVD case of FIG. 1;

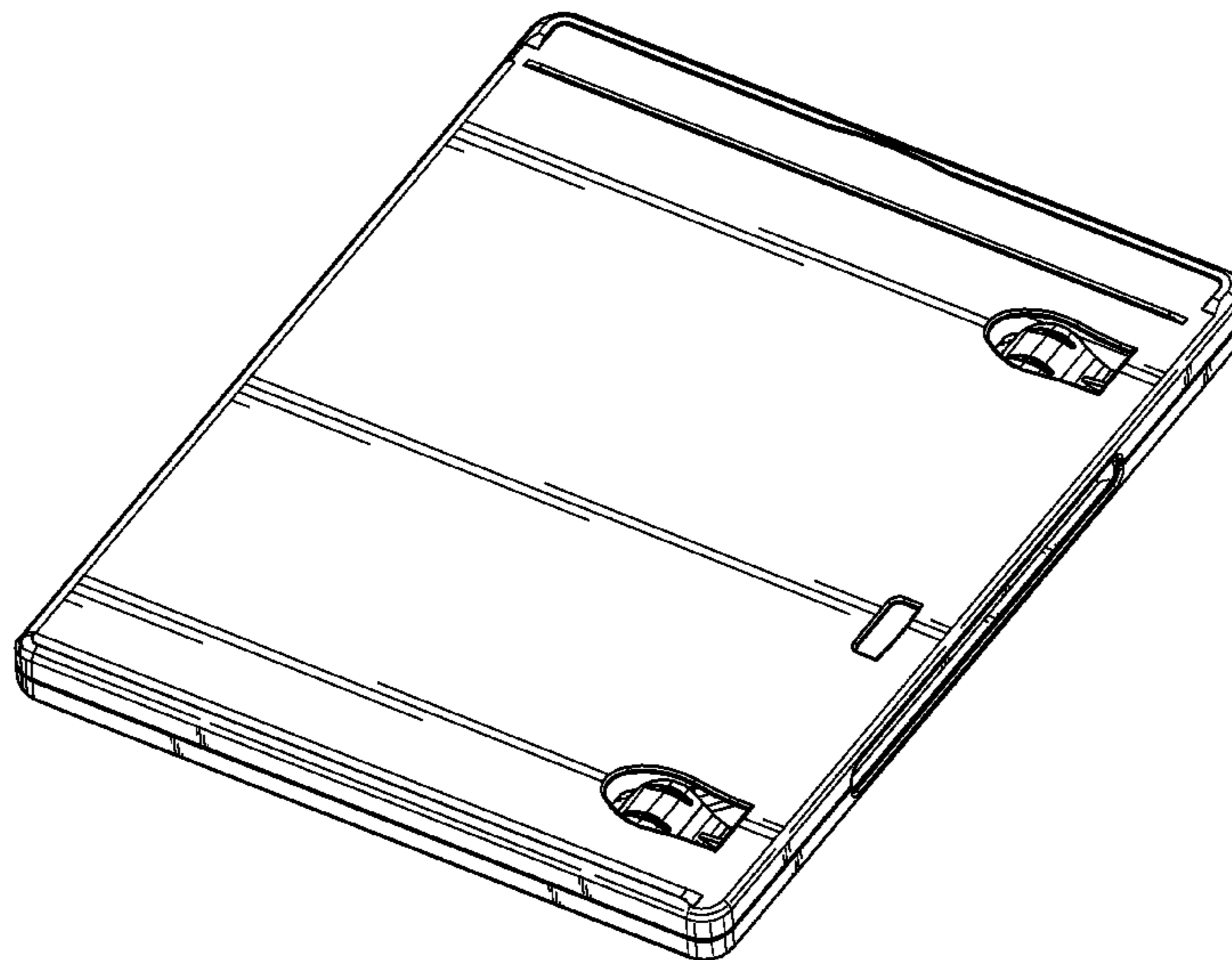
FIG. 6 is a top plan view of the DVD case of FIG. 1;

FIG. 7 is a bottom plan view of the DVD case of FIG. 1;

FIG. 8 is a rear plan view of the DVD case of FIG. 1; and,

FIG. 9 is a perspective view of the DVD case of FIG. 1 in an open configuration.

1 Claim, 5 Drawing Sheets



US D605,887 S

Page 2

U.S. PATENT DOCUMENTS

6,626,290 B2 9/2003 Byrne et al.
6,672,455 B2 1/2004 Belden, Jr. et al.
6,681,930 B1 1/2004 Yang
6,719,133 B2 4/2004 Perez et al.
6,729,469 B1 5/2004 Yau et al.
D493,661 S * 8/2004 Yau D6/635
6,789,667 B2 9/2004 Belden, Jr.
6,799,679 B2 10/2004 Hui
6,805,238 B2 10/2004 Iandoli et al.
6,808,065 B2 10/2004 Chang
6,951,278 B2 10/2005 Pettigrew
D543,067 S * 5/2007 Ng D6/634
D572,962 S * 7/2008 Freitag et al. D6/634
D572,964 S * 7/2008 Gelardi et al. D6/634
D573,831 S * 7/2008 Gelardi et al. D6/634
D587,922 S * 3/2009 Kwan D6/407
2001/0021167 A1 9/2001 Kutaragi et al.
2001/0047947 A1 12/2001 Lau
2002/0112974 A1 8/2002 Lau
2003/0000852 A1 1/2003 Broadhead
2003/0034258 A1 2/2003 Lee
2003/0075463 A1 4/2003 Perez et al.
2003/0168361 A1 9/2003 Lau

2003/0196918 A1 10/2003 Lau
2004/0079656 A1 4/2004 Hoogland
2004/0129587 A1 7/2004 Lax et al.
2004/0144663 A1 7/2004 Chang
2004/0173481 A1 9/2004 Choi et al.
2004/0178091 A1 9/2004 Lau
2005/0098453 A1 5/2005 Lax
2005/0173273 A1 8/2005 Marsilio et al.
2005/0269223 A1 12/2005 Wawrzynowski
2005/0279143 A1 12/2005 Belden, Jr. et al.
2005/0279657 A1 12/2005 Bjerregaard et al.
2006/0191809 A1 8/2006 Heuser et al.
2006/0201831 A1 9/2006 Hu
2007/0102310 A1 5/2007 Osborn et al.
2007/0138039 A1 6/2007 Kirtz et al.
2007/0193898 A1 8/2007 Hu
2007/0215498 A1 9/2007 Barnette et al.

FOREIGN PATENT DOCUMENTS

CN 2466763 12/2001
EP 1128387 A1 8/2001
JP 200219871 A 1/2002
JP 2005035664 A 2/2005

* cited by examiner

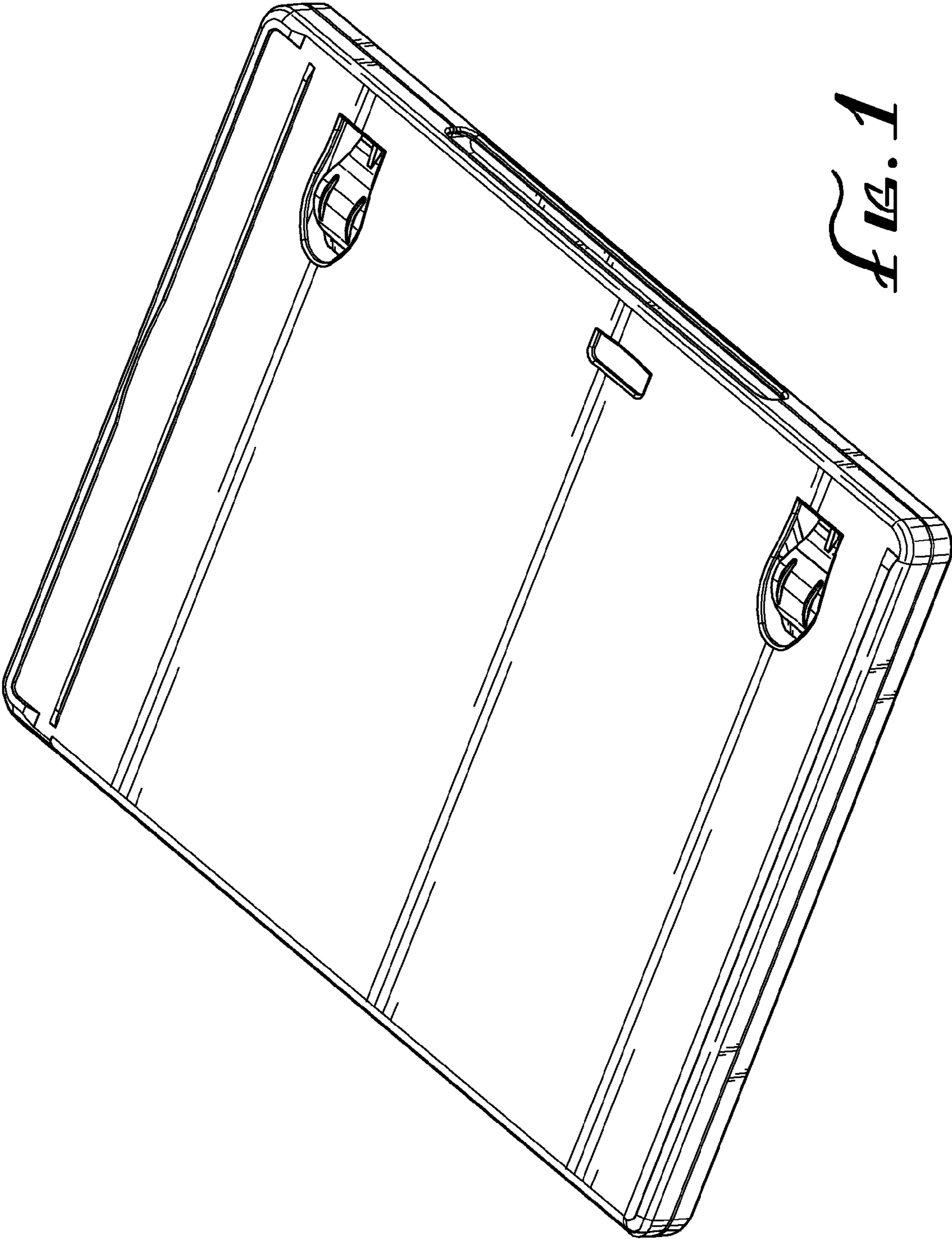


FIG. 1

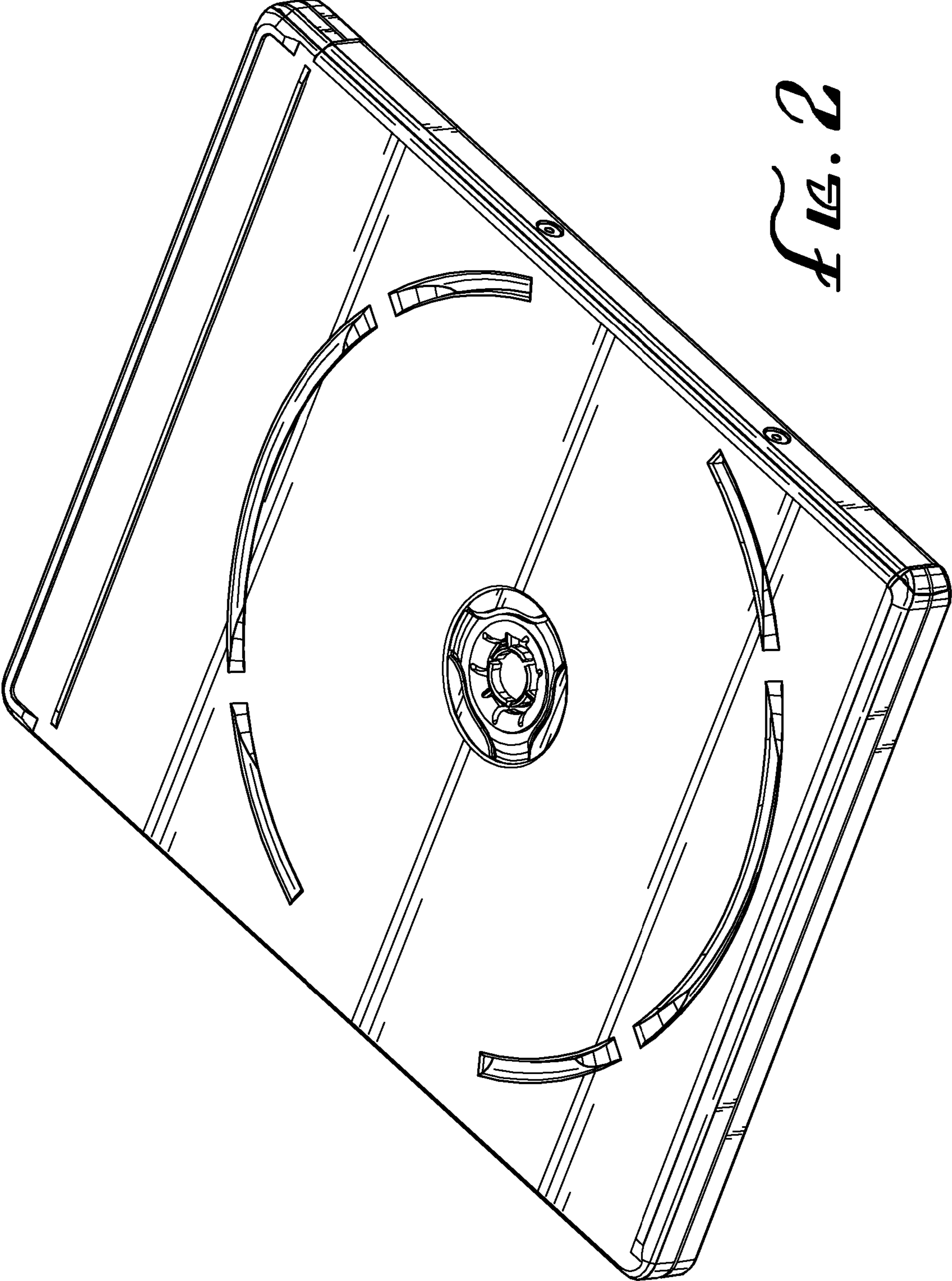


FIG. 2

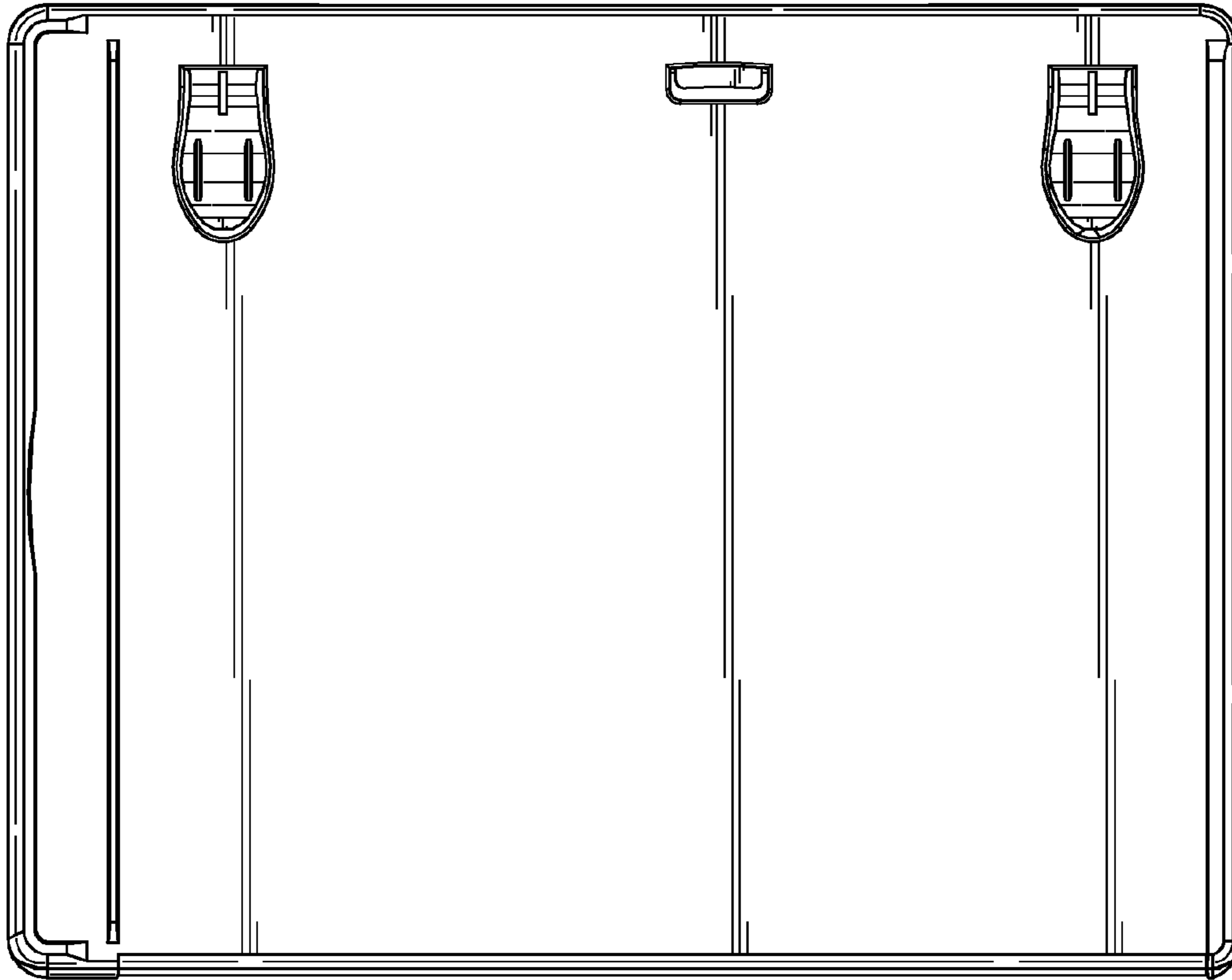


FIG. 3

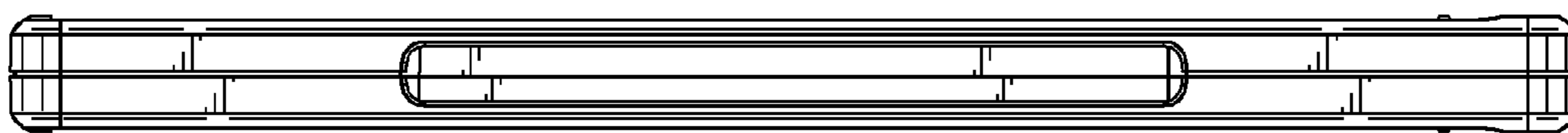


FIG. 4

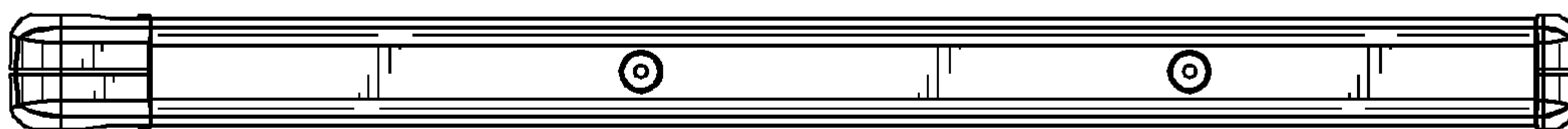


FIG. 5

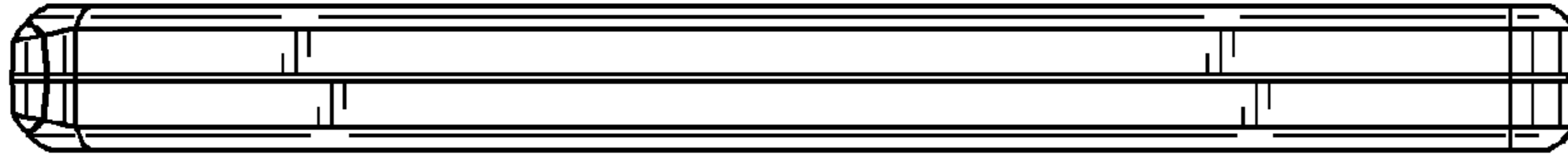


FIG. 6

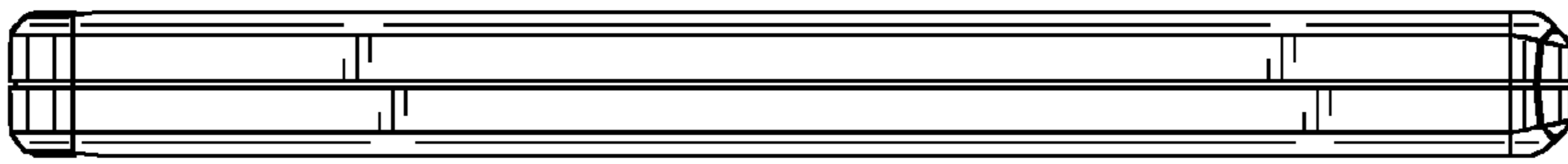


FIG. 7

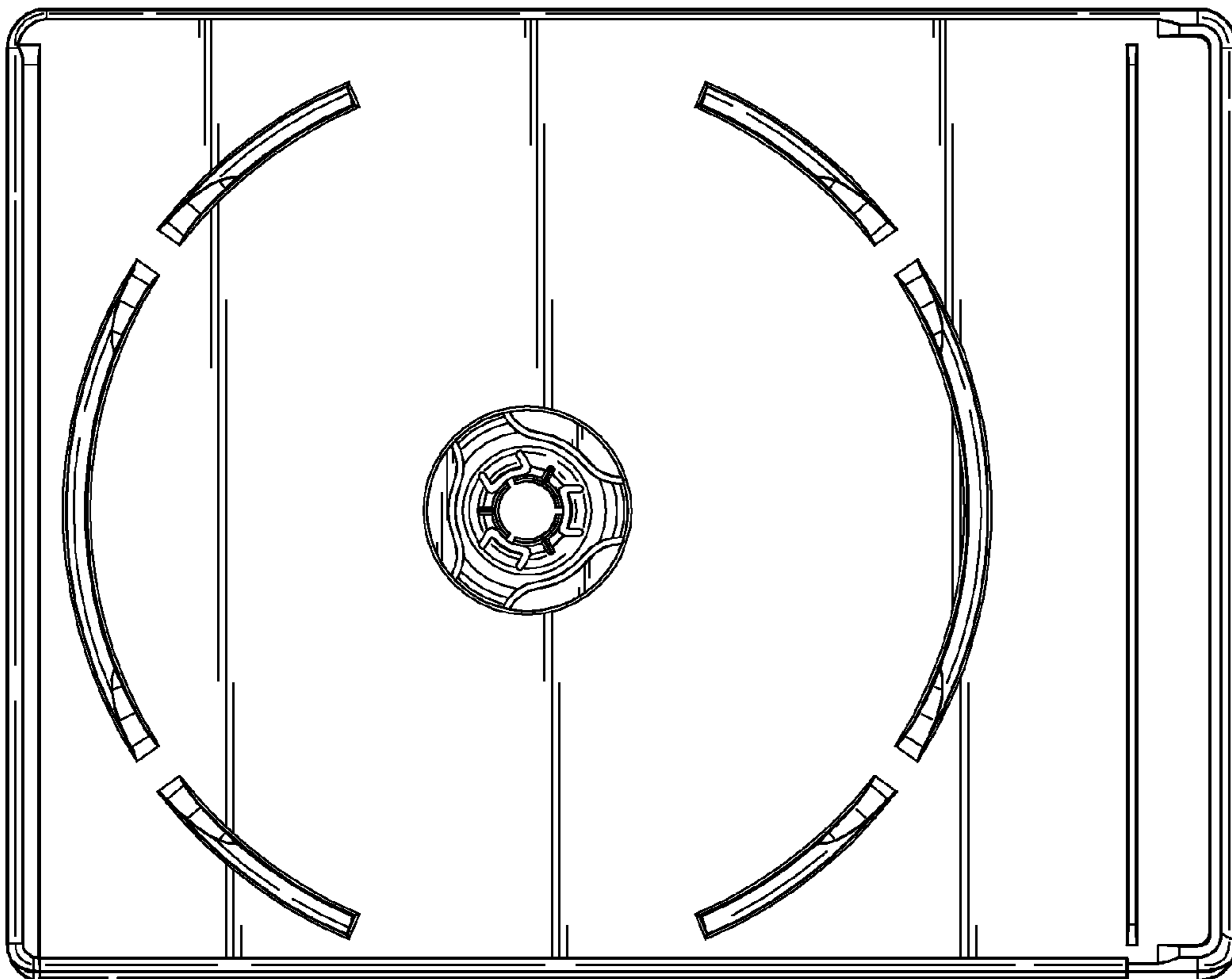


FIG. 8

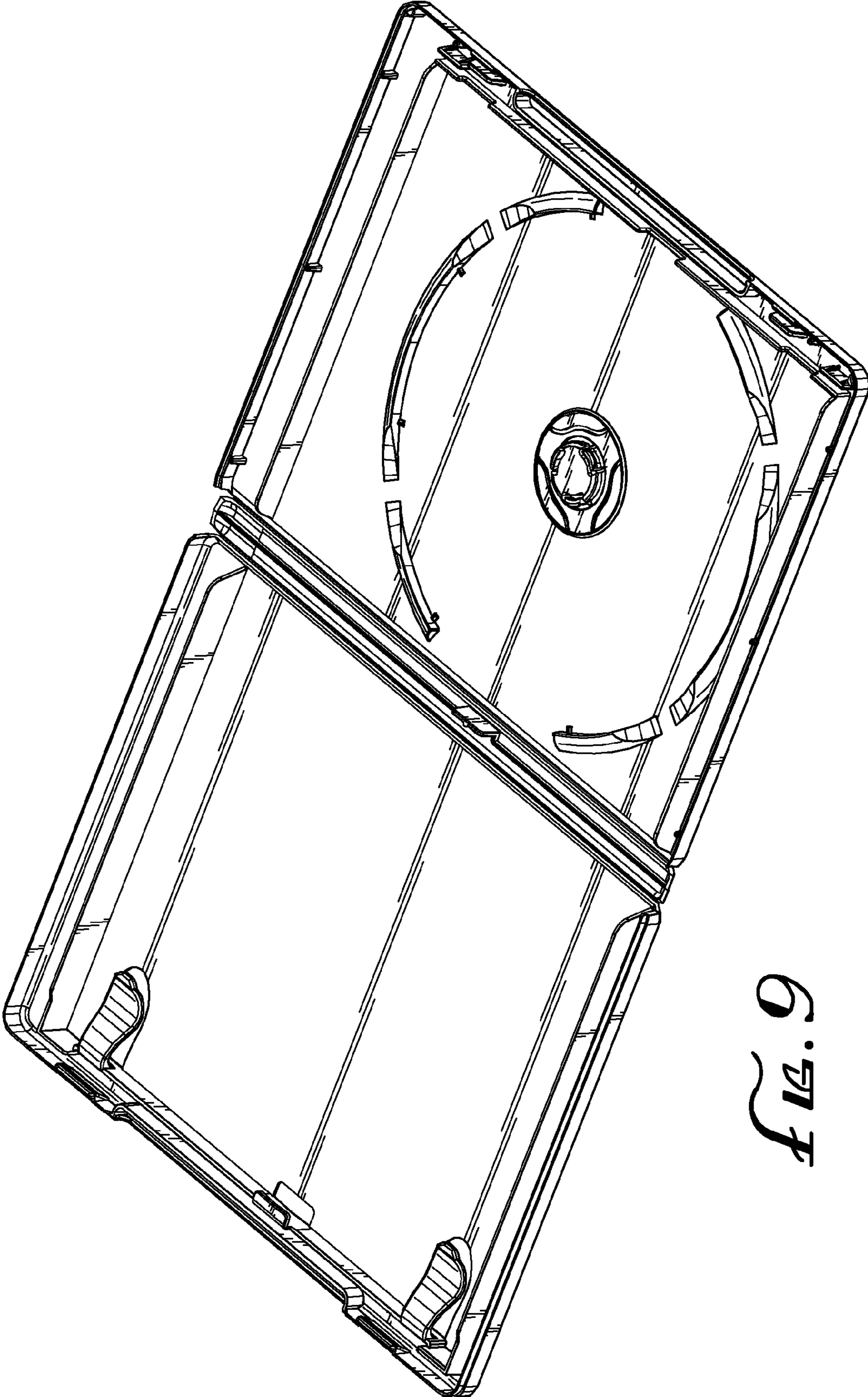


Fig. 9