



US00D605884S

(12) **United States Design Patent**
Owens

(10) **Patent No.:** **US D605,884 S**
(45) **Date of Patent:** **** Dec. 15, 2009**

(54) **TOILET TISSUE STORAGE DISPENSER**

(76) Inventor: **J. D. Owens**, 1901 Brandywine Dr.,
Matthews, NC (US) 28105

(**) Term: **14 Years**

(21) Appl. No.: **29/313,451**

(22) Filed: **Jan. 7, 2009**

(51) **LOC (9) Cl.** **20-02**

(52) **U.S. Cl.** **D6/520**

(58) **Field of Classification Search** D6/512-523;
D3/201; 206/389, 391, 407, 409; 211/13.1,
211/16, 85.5, 59.2; 221/92, 97, 185, 282-284;
242/159, 160.2, 550, 560, 590, 595, 588,
242/598

See application file for complete search history.

(56) **References Cited**

U.S. PATENT DOCUMENTS

2,852,327	A	9/1958	Mason	
3,743,137	A	7/1973	Bennett	
D295,813	S *	5/1988	Rowse et al.	D6/515
5,197,611	A	3/1993	Walton	
D335,411	S *	5/1993	Martens	D6/520
5,377,866	A	1/1995	Watters, II	
D366,583	S *	1/1996	Scaife	D6/515
D381,538	S *	7/1997	Smith	D6/520
5,687,854	A	11/1997	Anderson	

D389,350	S	1/1998	Davis et al.	
5,765,719	A	6/1998	Upham et al.	
D402,837	S *	12/1998	Boire et al.	D6/515
D474,928	S *	5/2003	Miller	D6/520
7,178,691	B1	2/2007	Rux	
D545,096	S *	6/2007	Simpson et al.	D6/515
D546,605	S *	7/2007	Wolfson	D6/520
D563,129	S *	3/2008	Wolfson et al.	D6/520
D584,548	S *	1/2009	Parker et al.	D6/515

* cited by examiner

Primary Examiner—Brian N Vinson

(74) *Attorney, Agent, or Firm*—Robert C. Montgomery;
Joseph T. Yaksick

(57) **CLAIM**

The ornamental design for a toilet tissue storage dispenser.

DESCRIPTION

FIG. 1 is an isometric view of a toilet tissue storage dispenser, as shown and described;

FIG. 2 is a left side view thereof;

FIG. 3 is a right side view thereof;

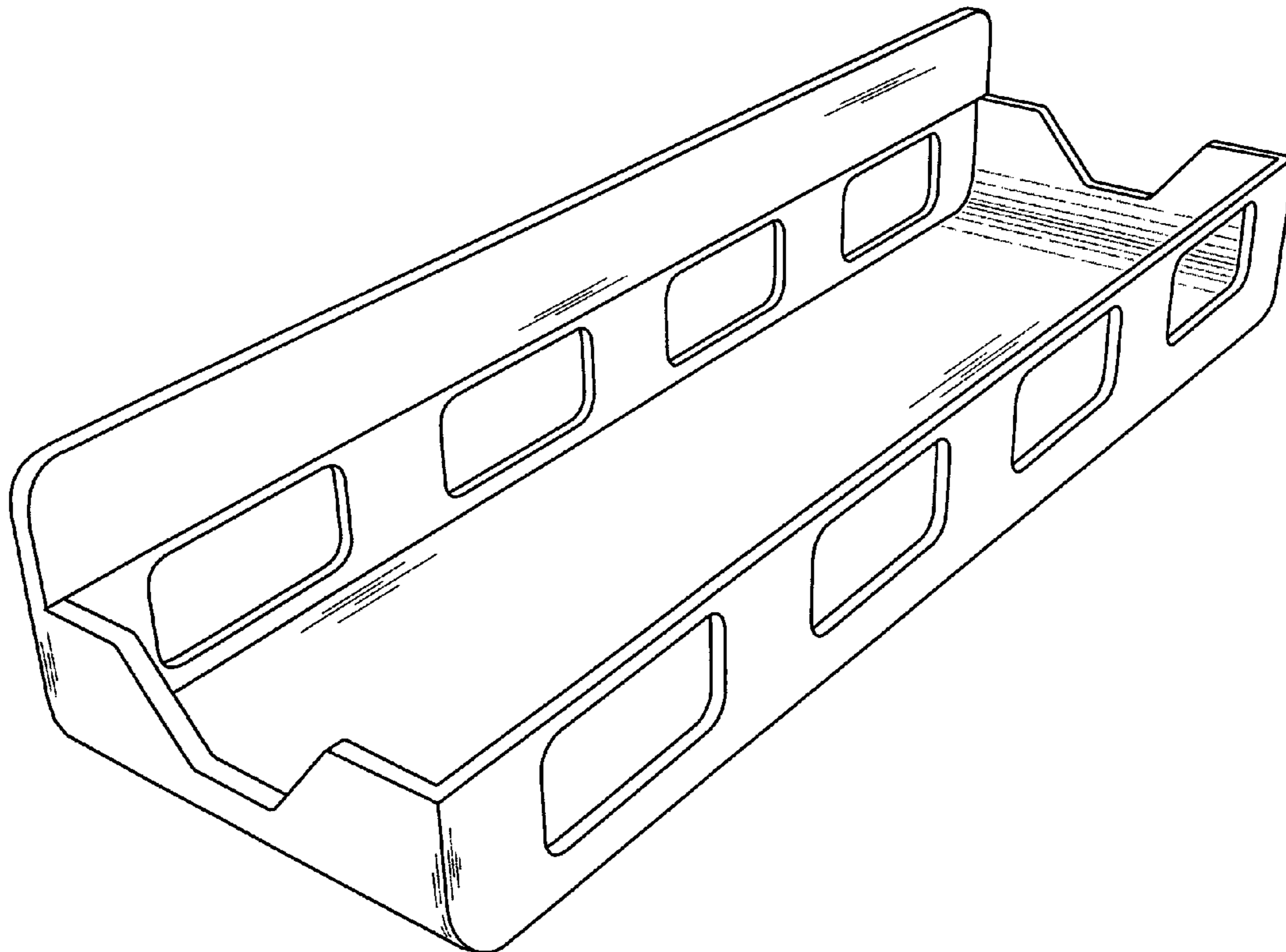
FIG. 4 is a rear view thereof;

FIG. 5 is a front view thereof;

FIG. 6 is a top view thereof; and,

FIG. 7 is a bottom view thereof.

1 Claim, 4 Drawing Sheets



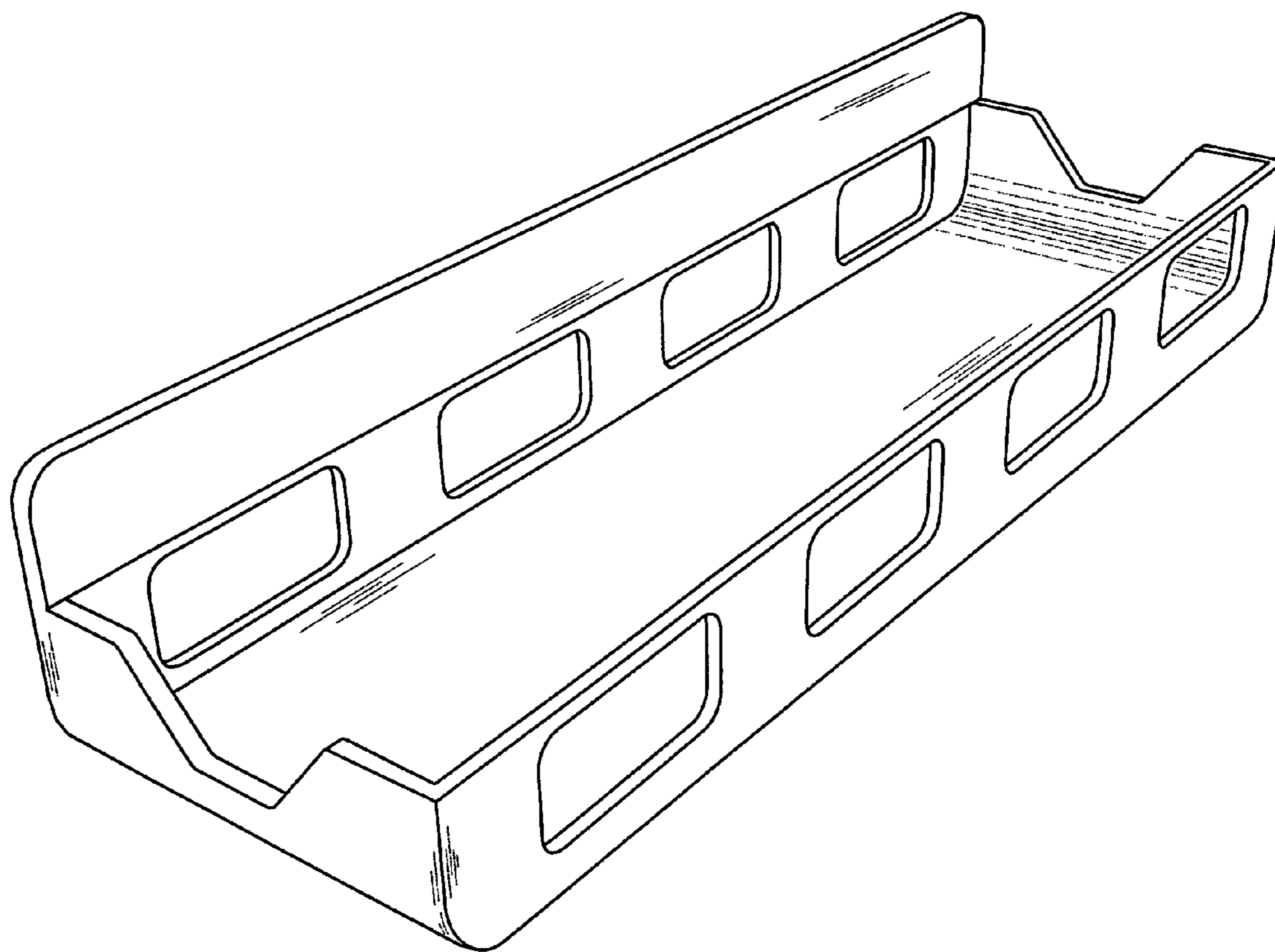


Fig. 1

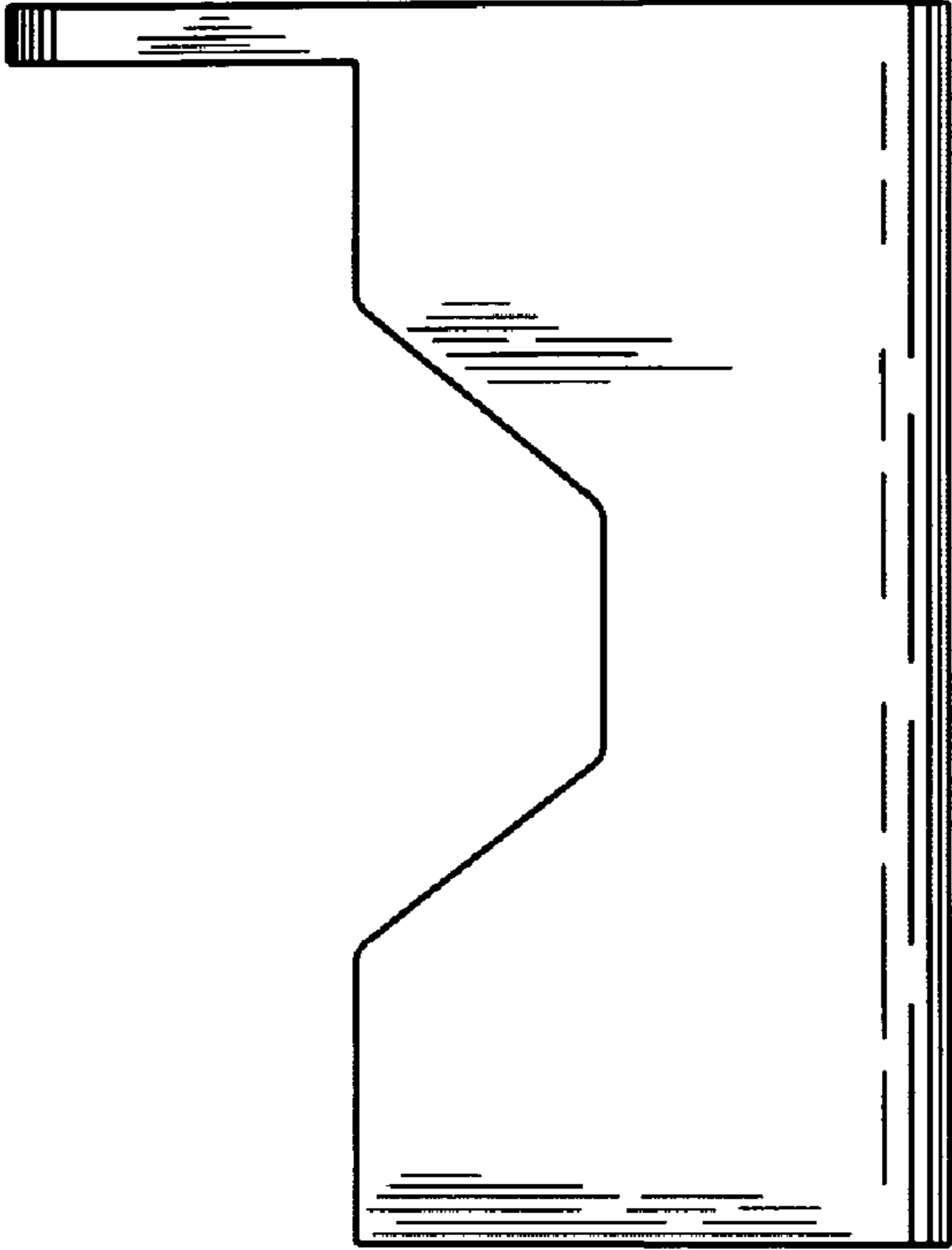


Fig. 3

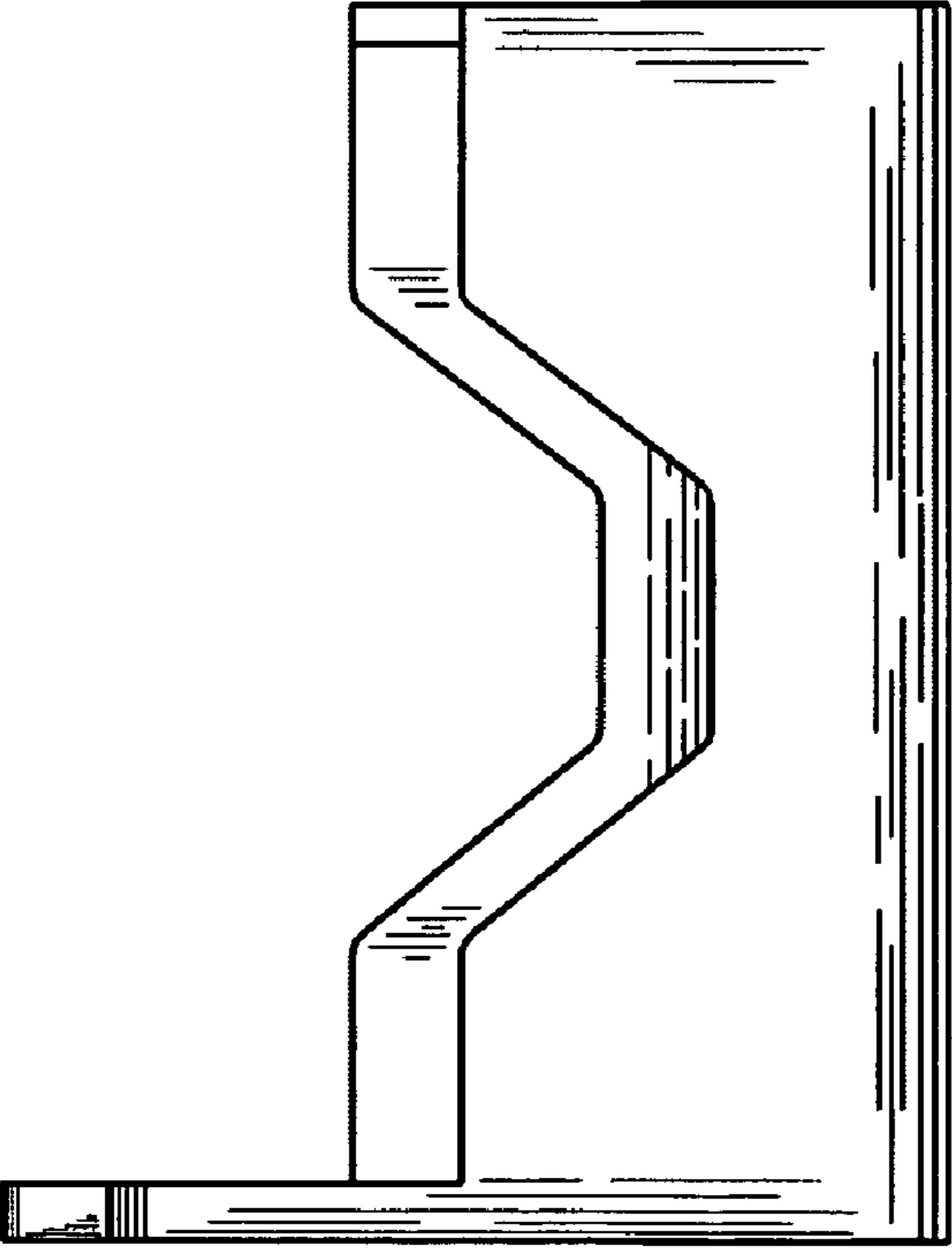


Fig. 2

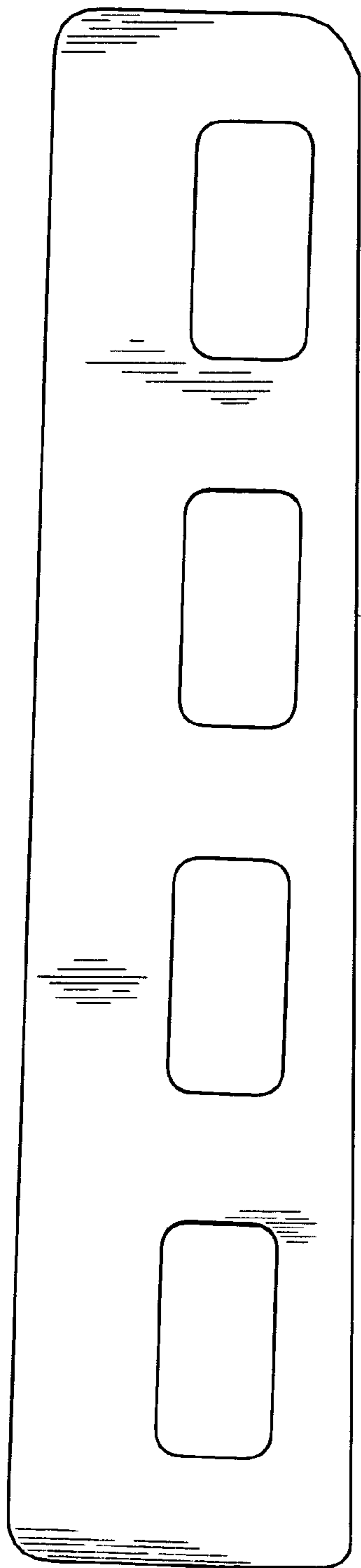


Fig. 4

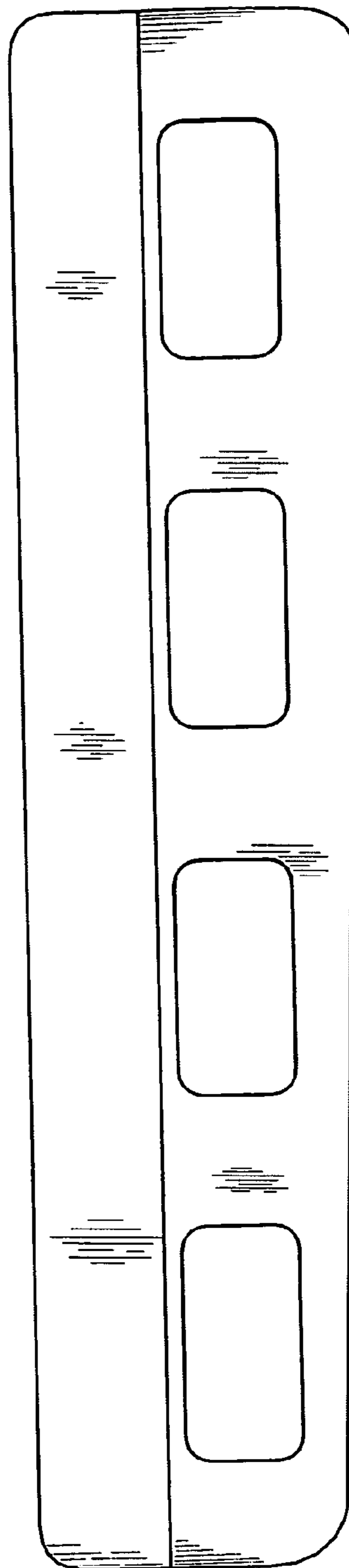


Fig. 5

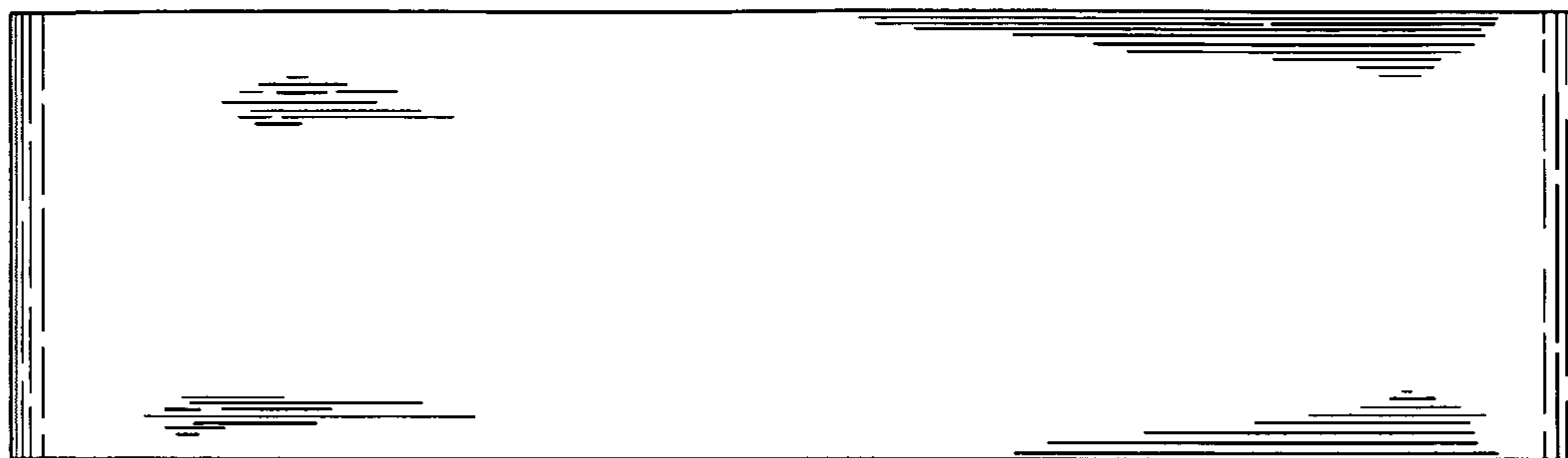


Fig. 7

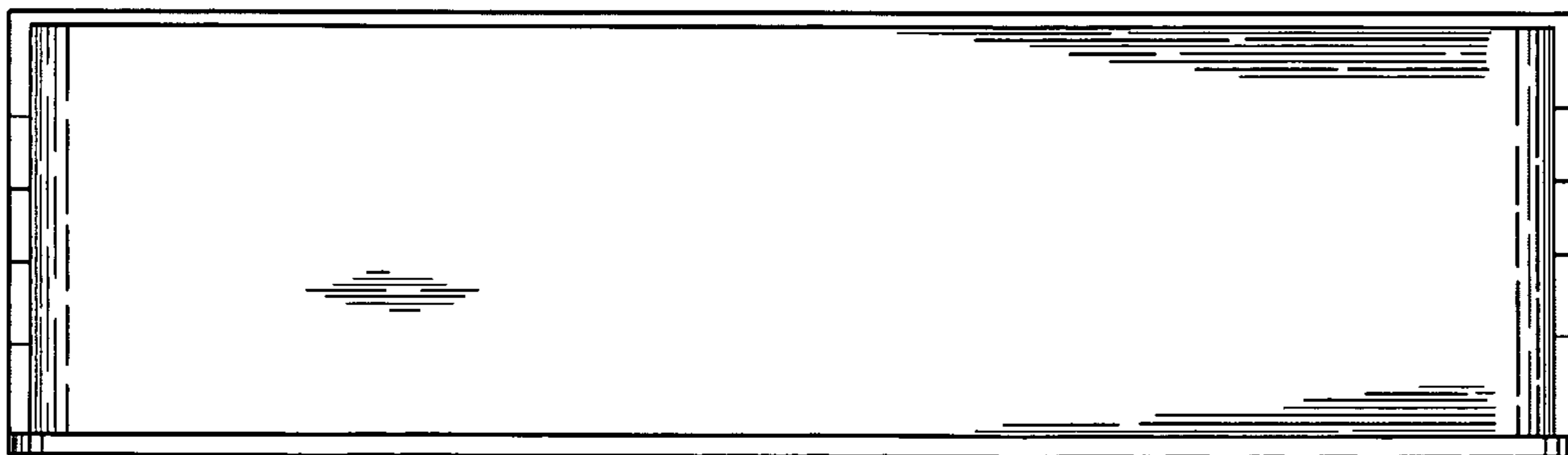


Fig. 6