



US00D605883S

(12) **United States Design Patent**  
**Hayes**

(10) **Patent No.:** **US D605,883 S**

(45) **Date of Patent:** **\*\* Dec. 15, 2009**

(54) **FOLDED TABLE IN FOLDED CONFIGURATION**

(75) Inventor: **Jonathan Hayes**, Boston, MA (US)

(73) Assignee: **J. Hayes Design, Inc.**, Boston, MA (US)

(\*\*) Term: **14 Years**

(21) Appl. No.: **29/330,194**

(22) Filed: **Dec. 30, 2008**

(51) **LOC (9) Cl.** ..... **06-03**

(52) **U.S. Cl.** ..... **D6/511; D6/480**

(58) **Field of Classification Search** ..... D6/480-489,  
D6/495-499, 429-431, 479; 108/150, 153.1,  
108/155, 156, 161, 11, 18, 125, 91; 248/188,  
248/188.1, 188.8; 211/153

See application file for complete search history.

(56) **References Cited**

**U.S. PATENT DOCUMENTS**

- 1,646,175 A \* 10/1927 Thiede ..... 108/125
- 2,540,849 A \* 2/1951 Walker ..... 108/91
- 2,567,417 A 9/1951 Adler
- 2,981,579 A 4/1961 Shwayder
- 3,853,073 A 12/1974 Flum
- D240,377 S \* 7/1976 Goulder ..... D6/461
- 4,242,969 A 1/1981 Checkwood

- 4,815,394 A \* 3/1989 Ettlinger et al. .... 108/107
- D338,792 S \* 8/1993 Chap et al. .... D6/511
- 5,505,142 A 4/1996 Fink
- 5,918,551 A \* 7/1999 Liu ..... 108/55.1
- 2007/0277709 A1 12/2007 Carter

\* cited by examiner

*Primary Examiner*—Janice E Seeger

(74) *Attorney, Agent, or Firm*—Paul E. Lewkowicz P.C.; Paul E. Lewkowicz

(57) **CLAIM**

The ornamental design for a folded table in folded configuration, as shown and described.

**DESCRIPTION**

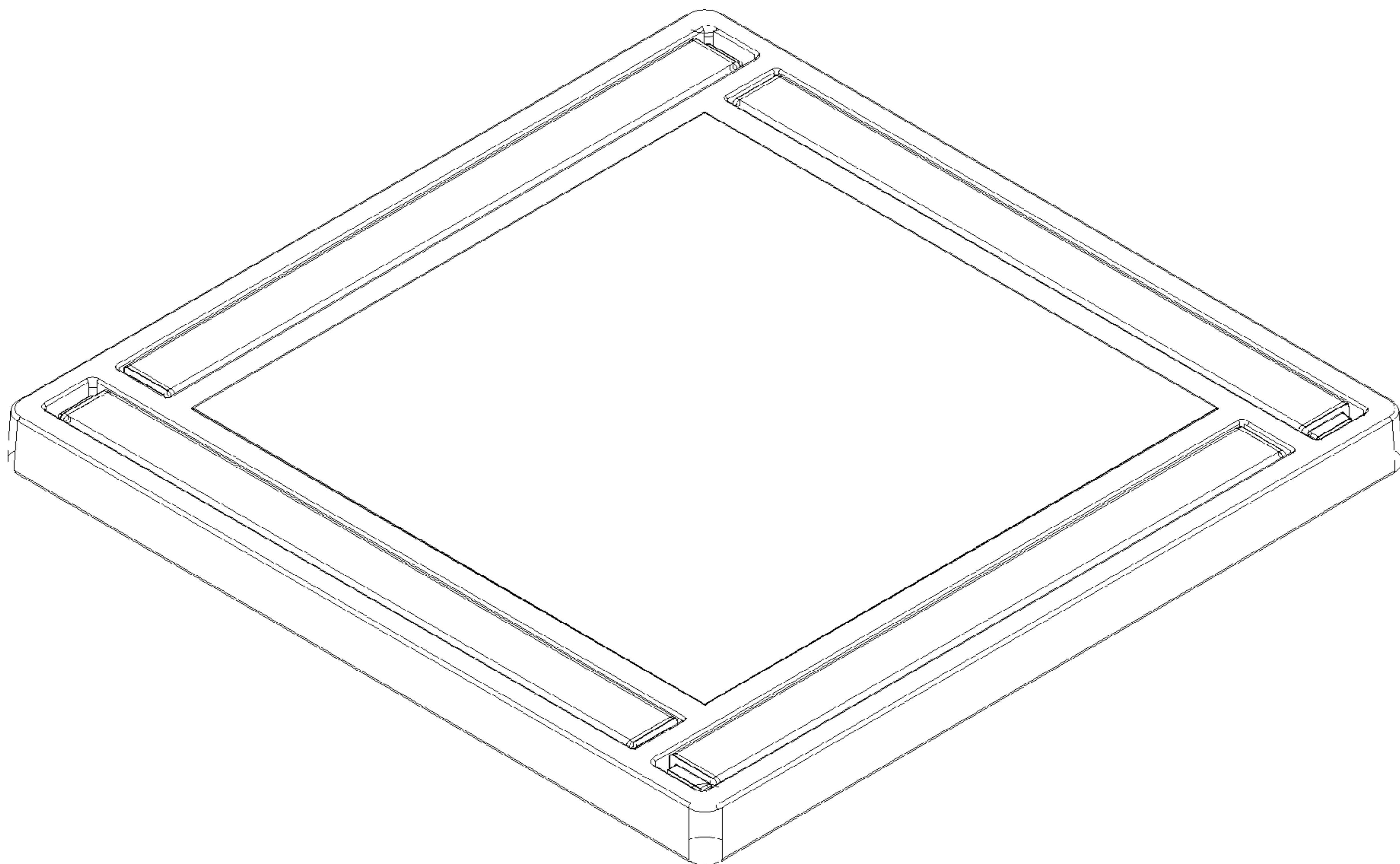
FIG. 1 is an isometric view of a folded table in folded configuration.

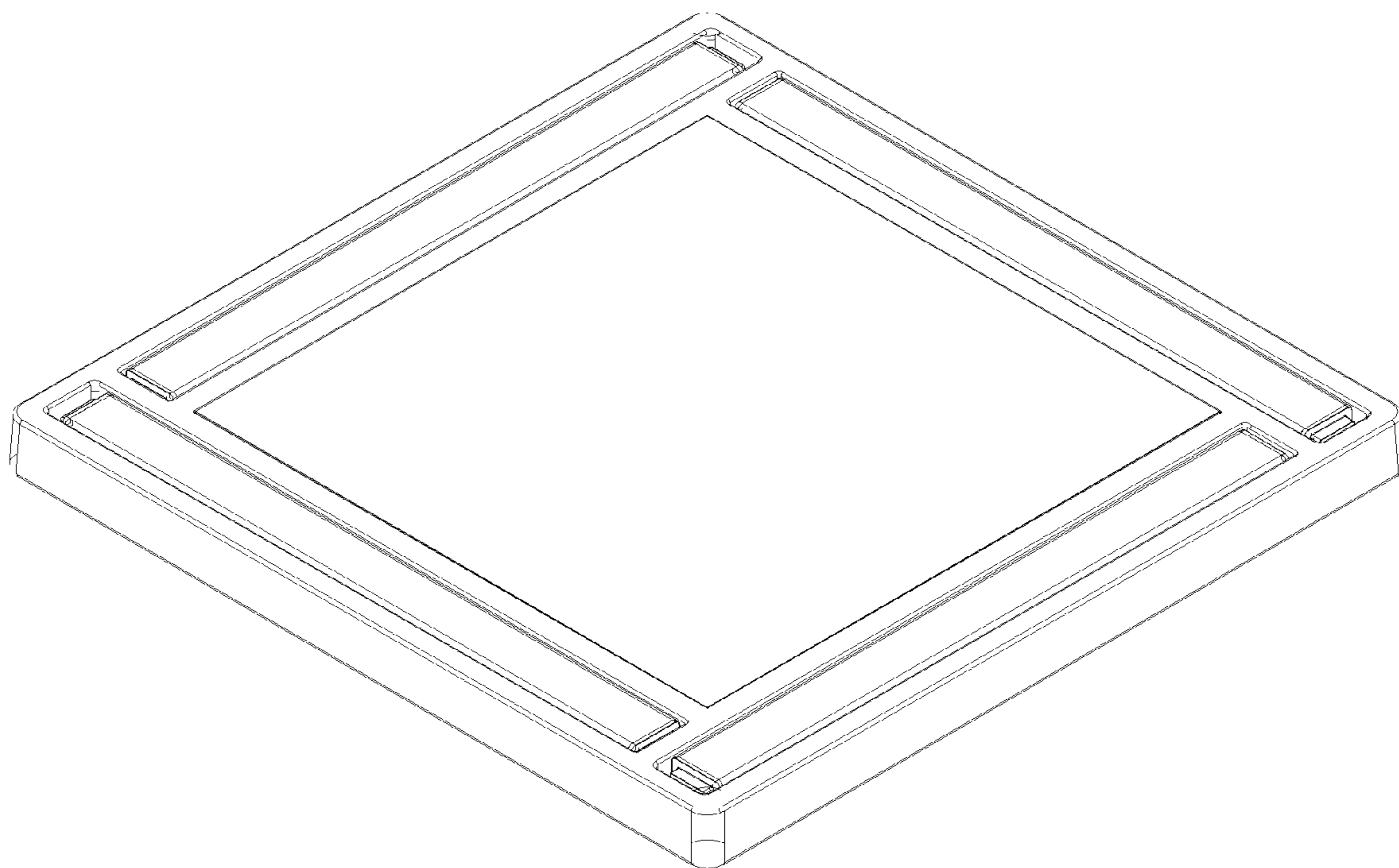
FIG. 2 is a front view of the folded table. As all four elevation views are the same in this symmetrical table, only one such view is shown.

FIG. 3 is a top view of a folding table in the folded state, looking down on the top; and,

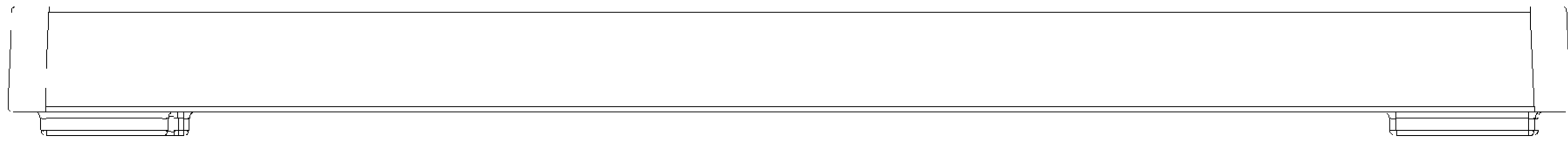
FIG. 4 is a bottom view of a folding table in the folded state, looking up from the bottom of the legs to the underside of the table.

**1 Claim, 4 Drawing Sheets**

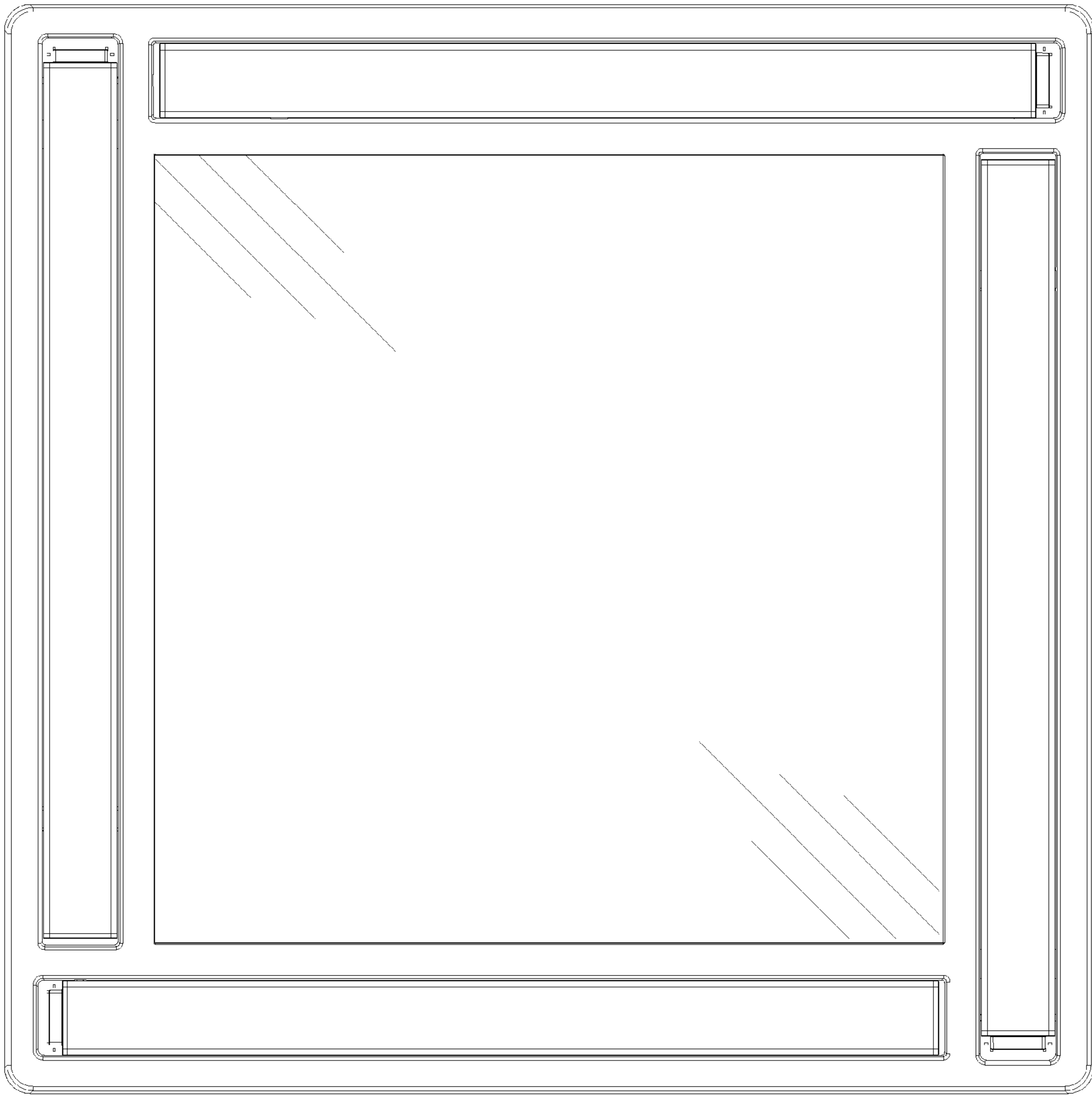




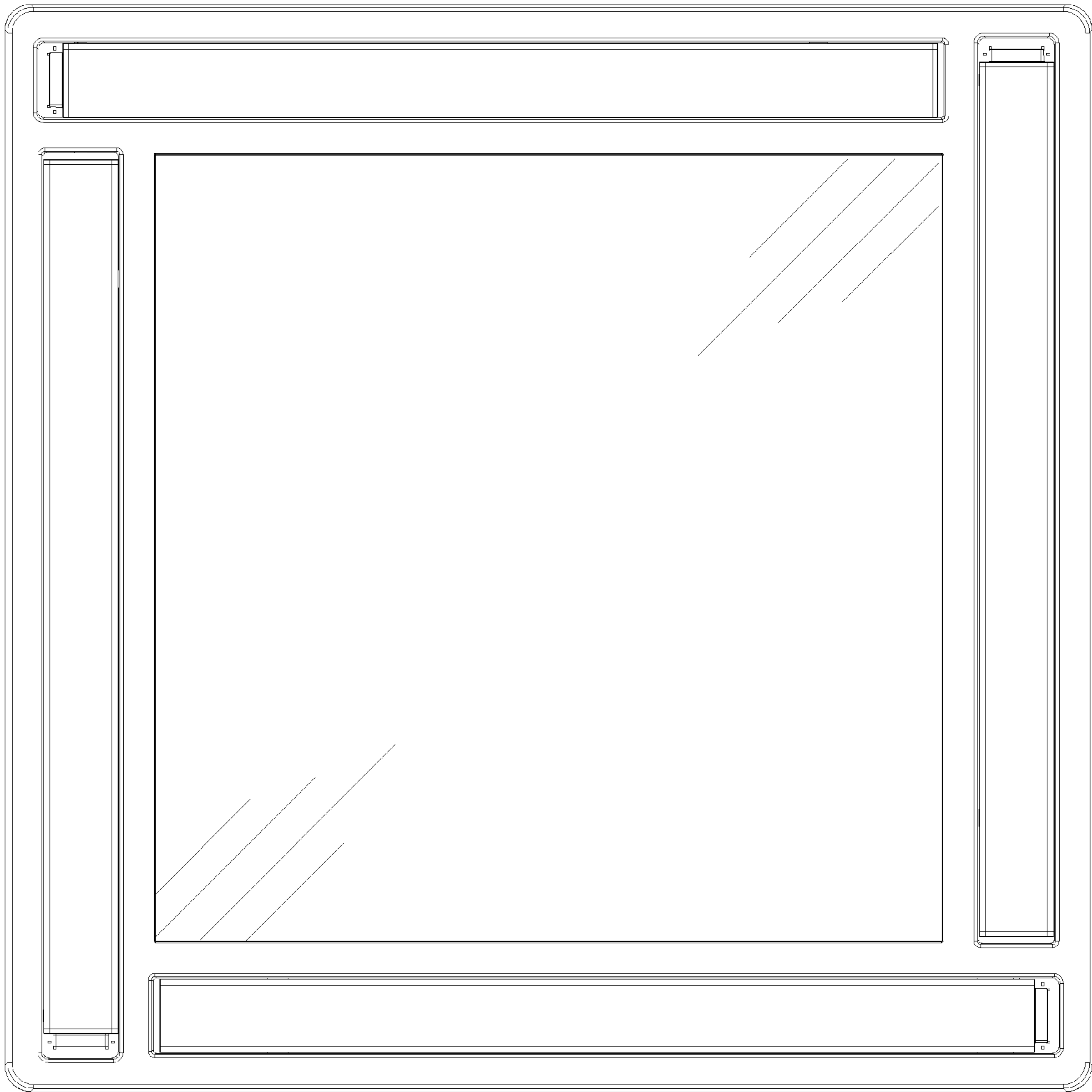
*FIG. 1*



*FIG. 2*



*FIG. 3*



*FIG. 4*