



US00D605882S

(12) **United States Design Patent**
Böhler

(10) **Patent No.:** **US D605,882 S**
(45) **Date of Patent:** **** Dec. 15, 2009**

(54) **INNER HOOK-IN SIDE WALL FOR A PARTITION OF A DRAWER**

D572,512 S 7/2008 Kampl
D577,936 S * 10/2008 Held D6/510

(75) Inventor: **Jürgen Böhler**, Lauterach (AT)

FOREIGN PATENT DOCUMENTS

(73) Assignee: **Julius Blum GmbH**, Hochst (AT)

JP 1327516 4/2008

(**) Term: **14 Years**

* cited by examiner

(21) Appl. No.: **29/309,346**

Primary Examiner—Caron Veynar
Assistant Examiner—Abraham Bahta
(74) *Attorney, Agent, or Firm*—Wenderoth, Lind & Ponack, L.L.P.

(22) Filed: **Jul. 29, 2008**

(30) **Foreign Application Priority Data**

(57) **CLAIM**

Feb. 22, 2008 (EM) 000883871-0003

The ornamental design for a inner hook-in side wall for a partition of a drawer, as shown and described.

(51) **LOC (9) Cl.** **06-06**

(52) **U.S. Cl.** **D6/510**

(58) **Field of Classification Search** D6/510,
D6/441, 445, 446, 491, 336, 432, 436, 509,
D6/511, 574; 312/195, 330.1, 234.5, 334.8,
312/334.14, 334.27, 348.1, 348.2, 348.4;
D3/319

DESCRIPTION

See application file for complete search history.

FIG. 1 is a perspective view of a inner hook-in side wall for a partition of a drawer;
FIG. 2 is a left side view of the wall of FIG. 1;
FIG. 3 is a right side view of the wall of FIG. 1;
FIG. 4 is a front view of the wall of FIG. 1;
FIG. 5 is a top view of the wall of FIG. 1;
FIG. 6 is a bottom view of the wall of FIG. 1;
FIG. 7 is a back view of the wall of FIG. 1; and,
FIG. 8 is a perspective environment view of the wall of FIG. 1.

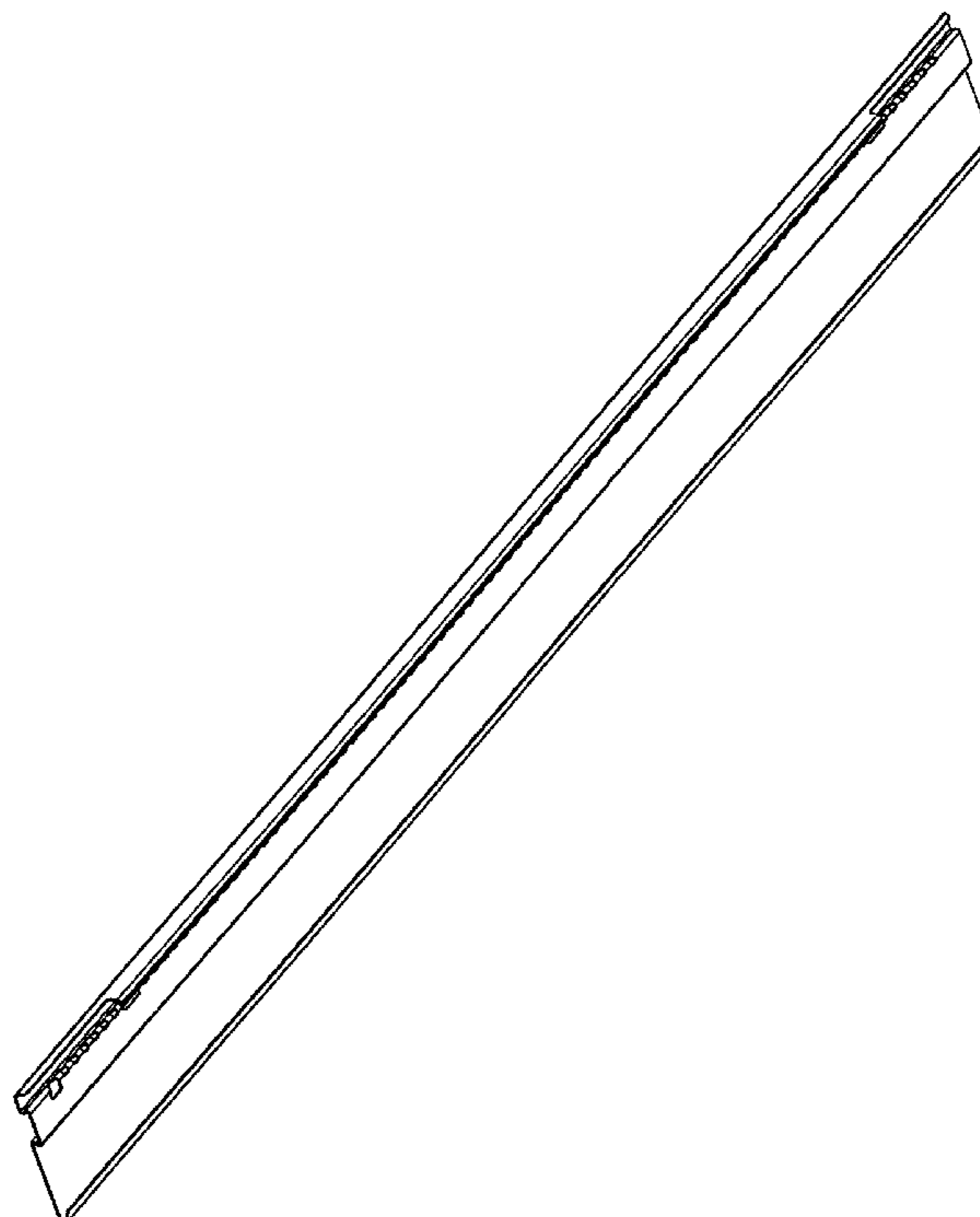
(56) **References Cited**

U.S. PATENT DOCUMENTS

3,612,639 A * 10/1971 Williams 312/310
3,722,974 A * 3/1973 Hartman 312/348.2
D255,741 S * 7/1980 Litchfield et al. D6/510
4,403,817 A * 9/1983 Aidar 312/265.1
D323,088 S * 1/1992 Fler D6/510
D425,734 S * 5/2000 Bauer D6/491
D563,125 S * 3/2008 Held D6/510

The features shown in broken lines form no portion of the claimed design.

1 Claim, 3 Drawing Sheets



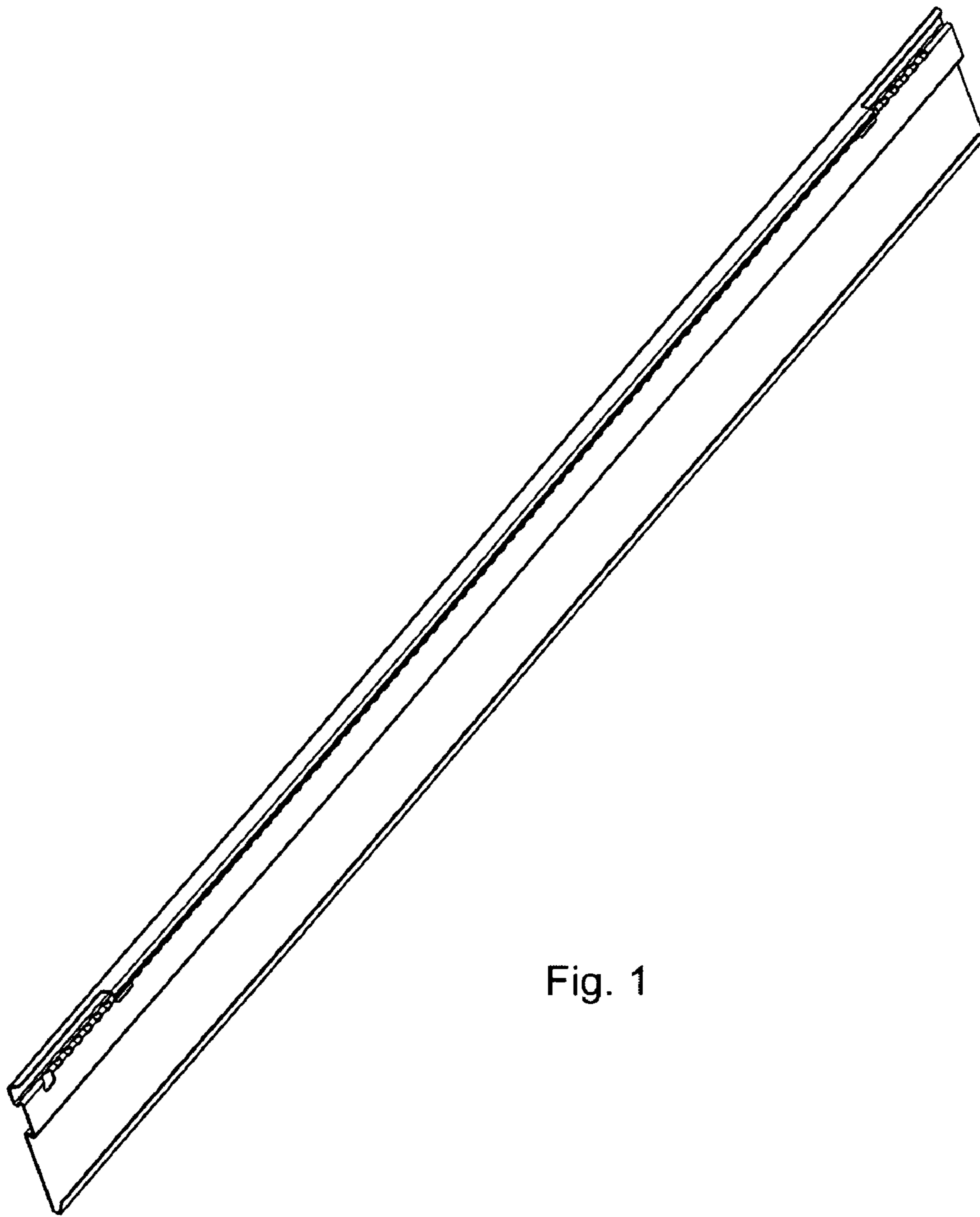


Fig. 1



Fig. 2



Fig. 3

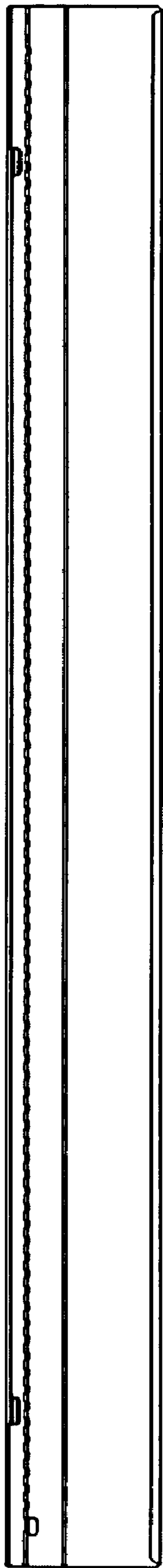


Fig. 4



Fig. 5



Fig. 6

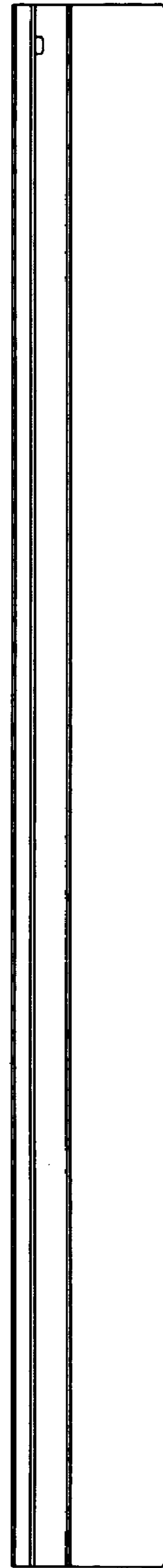


Fig. 7

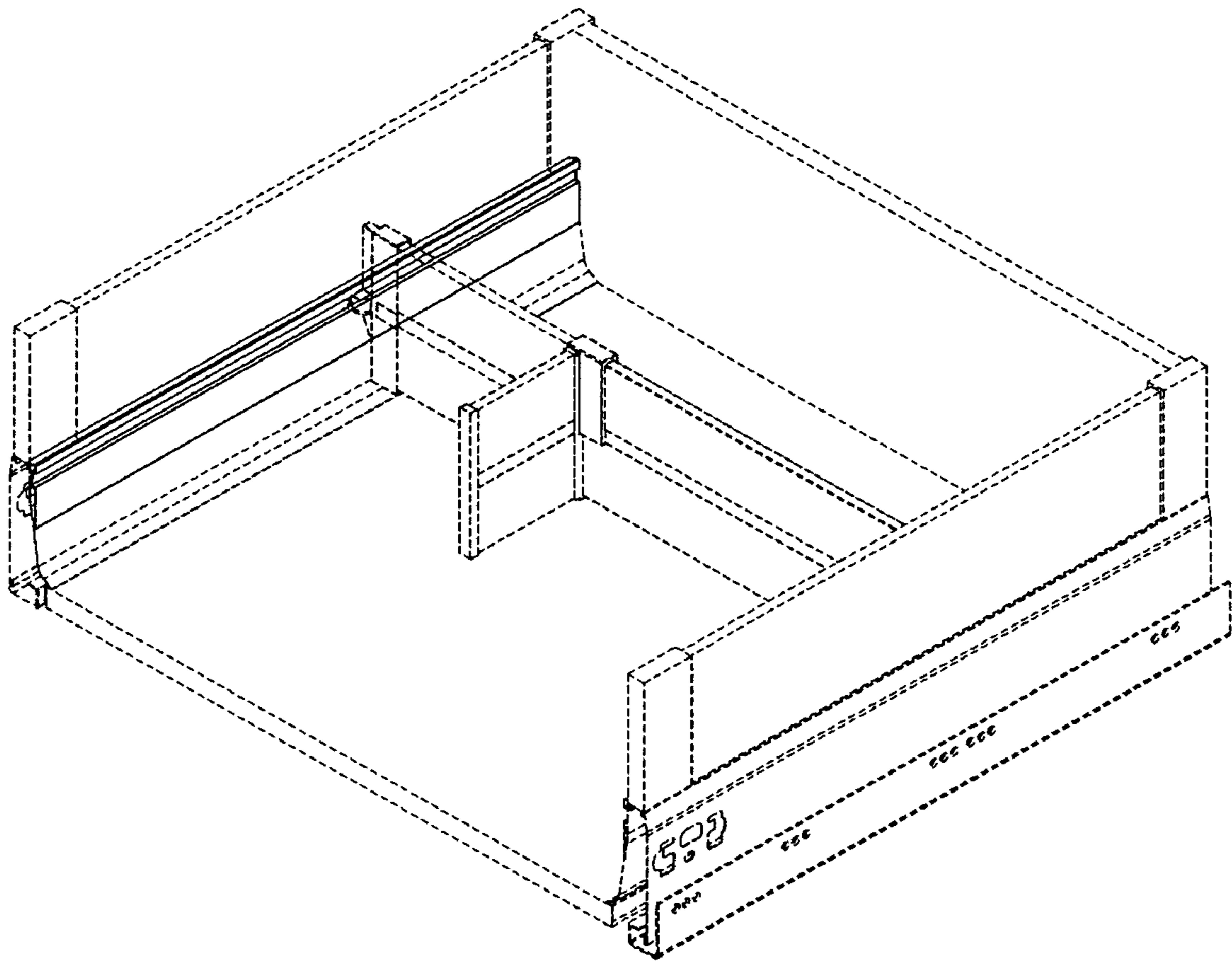


Fig. 8