



US00D605881S

(12) **United States Design Patent**  
**Malley et al.**

(10) **Patent No.:** **US D605,881 S**

(45) **Date of Patent:** **\*\* Dec. 15, 2009**

(54) **CHEST**

(75) Inventors: **John P. Malley**, Cedar Falls, IA (US);  
**Daniel L. Jackson**, Center Point, IA (US)

(73) Assignee: **Waterloo Industries, Inc.**, Oak Creek, WI (US)

(\*\*) Term: **14 Years**

(21) Appl. No.: **29/281,628**

(22) Filed: **Jun. 27, 2007**

(51) **LOC (9) Cl.** ..... **06-04**

(52) **U.S. Cl.** ..... **D6/510**; D3/297; D3/318;  
D3/905; D6/445

(58) **Field of Classification Search** ..... D3/260,  
D3/272–275, 276, 283, 294–297, 318, 321–322,  
D3/903, 905; D6/335, 396–397, 400, 432–448,  
D6/491, 509–510; D8/313; D32/25; D34/12;  
206/349, 372–373, 376–379; 312/107, 117,  
312/125, 204, 209, 224, 249.1, 249.11, 249.12,  
312/257.1, 282, 308, 332.1, 351, 902; 361/695  
See application file for complete search history.

(56) **References Cited**

**U.S. PATENT DOCUMENTS**

D254,883 S	*	5/1980	Jorda-Segui	.....	D6/445
D286,714 S	*	11/1986	Verholt	.....	D6/446
D554,370 S	*	11/2007	Hand	.....	D3/297
D554,864 S	*	11/2007	Hand	.....	D3/297
D563,103 S	*	3/2008	Hand	.....	D3/297
D563,119 S	*	3/2008	Malley et al.	.....	D6/445
D563,120 S	*	3/2008	Malley et al.	.....	D6/445
D566,396 S	*	4/2008	Hand	.....	D3/297

D568,078 S	*	5/2008	Kohagen et al.	.....	D6/510
D568,608 S	*	5/2008	Hand	.....	D3/297
D573,792 S	*	7/2008	Hand	.....	D3/297
D574,629 S	*	8/2008	Kalkwarf	.....	D6/445
D581,696 S	*	12/2008	Malley et al.	.....	D6/445
D586,132 S	*	2/2009	Liuhong et al.	.....	D6/335
D586,164 S	*	2/2009	Hand	.....	D6/510
D586,597 S	*	2/2009	Hand	.....	D6/510
D587,013 S	*	2/2009	Hand	.....	D3/318
D587,014 S	*	2/2009	Hand	.....	D3/318
D589,718 S	*	4/2009	Hand	.....	D6/400
2007/0274042 A1	*	11/2007	Jackson et al.	.....	361/695

\* cited by examiner

*Primary Examiner*—Caron Veynar

*Assistant Examiner*—Ricky Pham

(74) *Attorney, Agent, or Firm*—Calfee, Halter & Griswold LLP

(57) **CLAIM**

The ornamental design for a chest, as shown and described.

**DESCRIPTION**

FIG. 1 is a perspective view of the new, original, and ornamental design for a chest;

FIG. 2 is a front elevational view of the chest of FIG. 1;

FIG. 3 is a rear elevational view of the chest of FIG. 1;

FIG. 4 is a right side elevational view of the chest of FIG. 1;

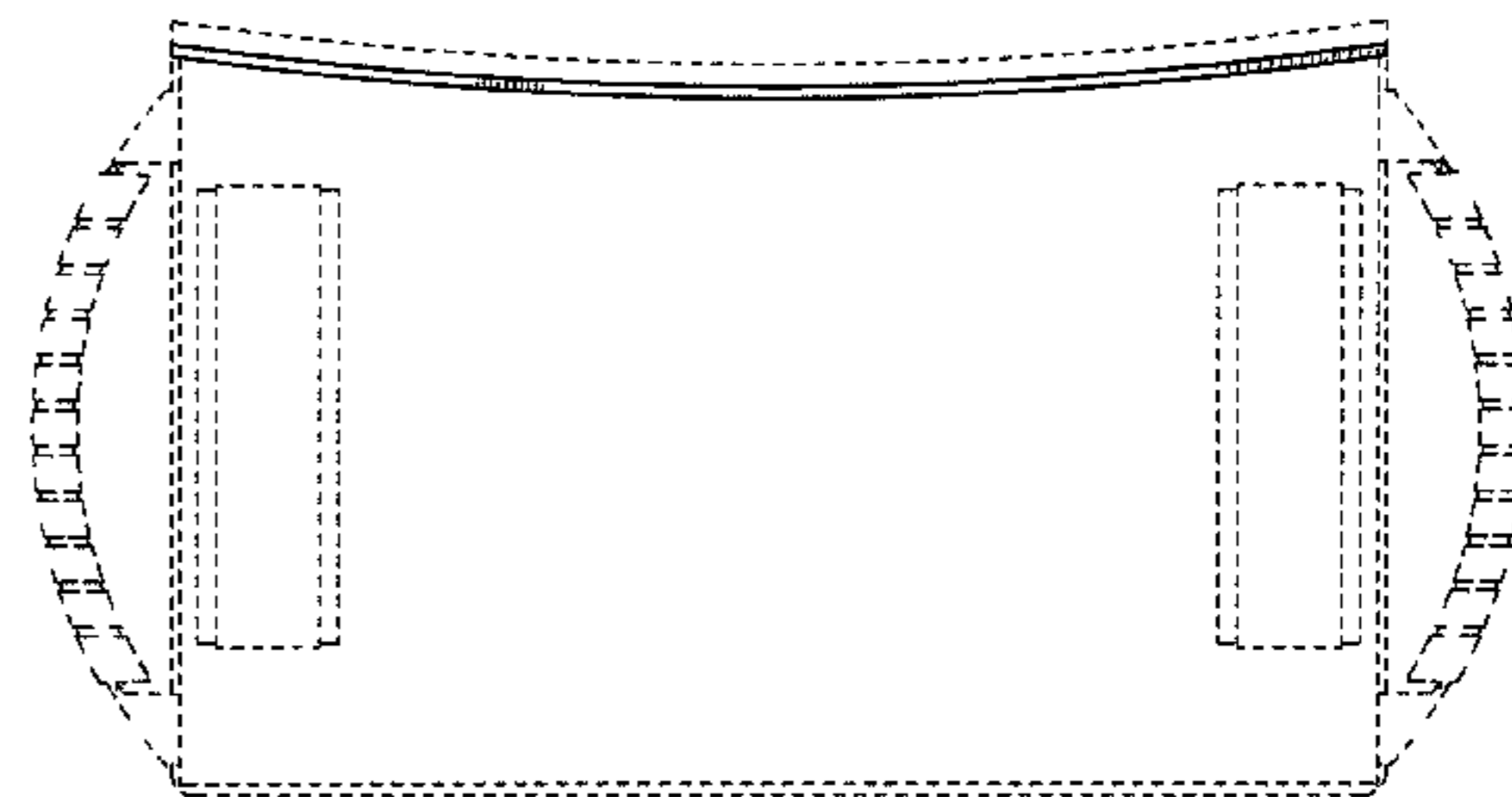
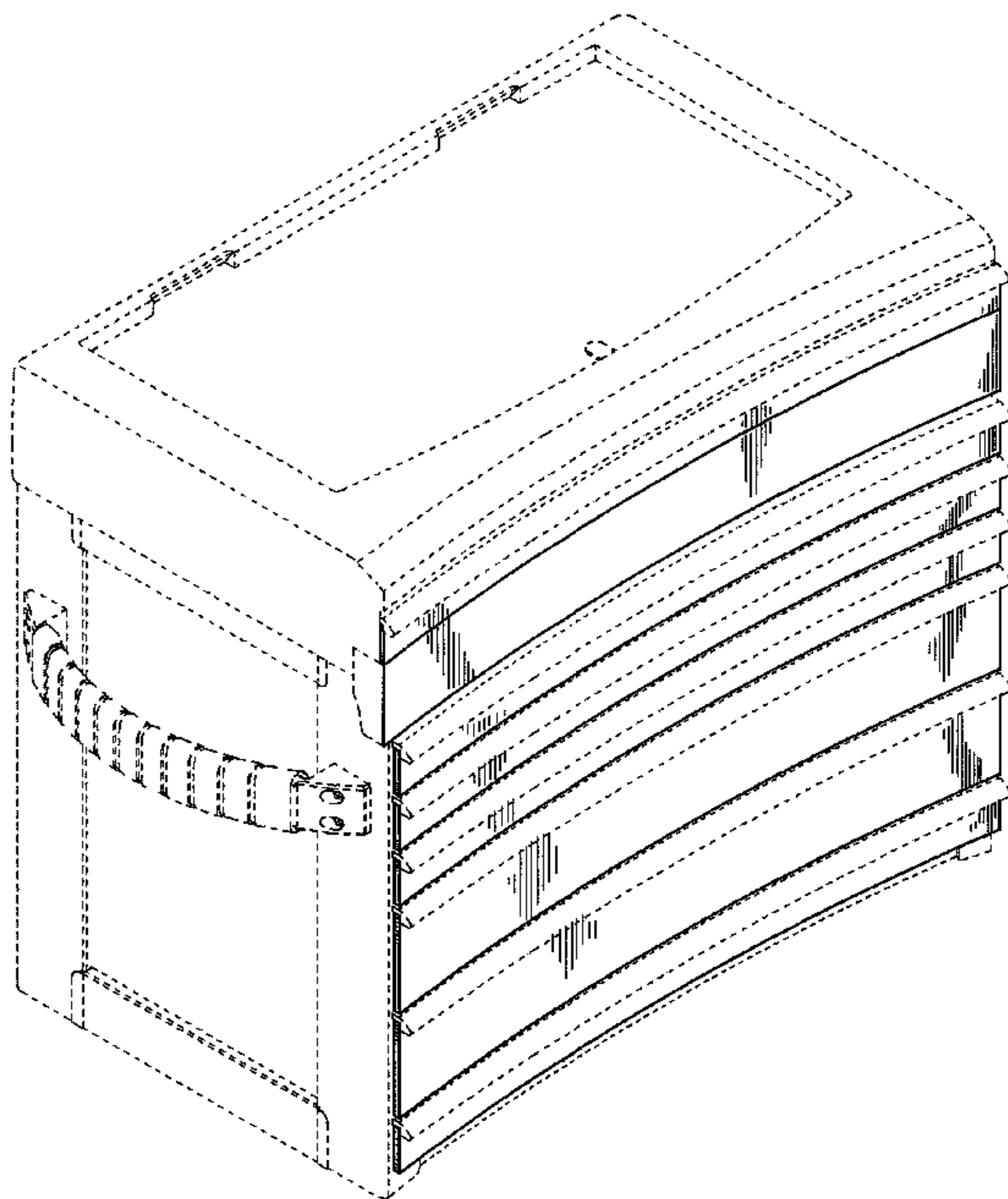
FIG. 5 is a left side elevational view of the chest of FIG. 1;

FIG. 6 is a top plan view of the chest of FIG. 1; and,

FIG. 7 is a bottom plan view of the chest of FIG. 1.

The portions of the Figures shown in broken lines are not part of the claimed design and are for illustration only.

**1 Claim, 4 Drawing Sheets**



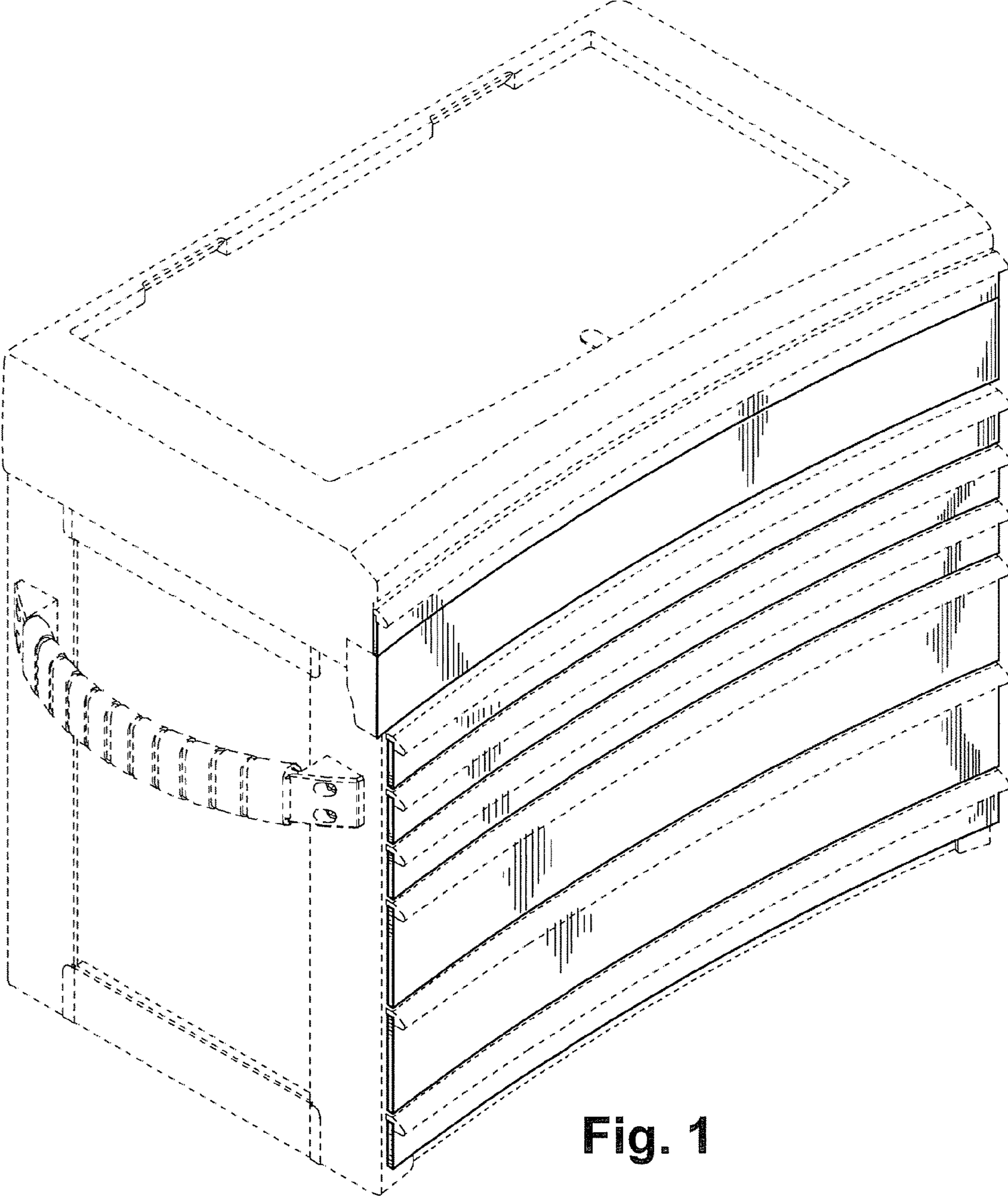


Fig. 1

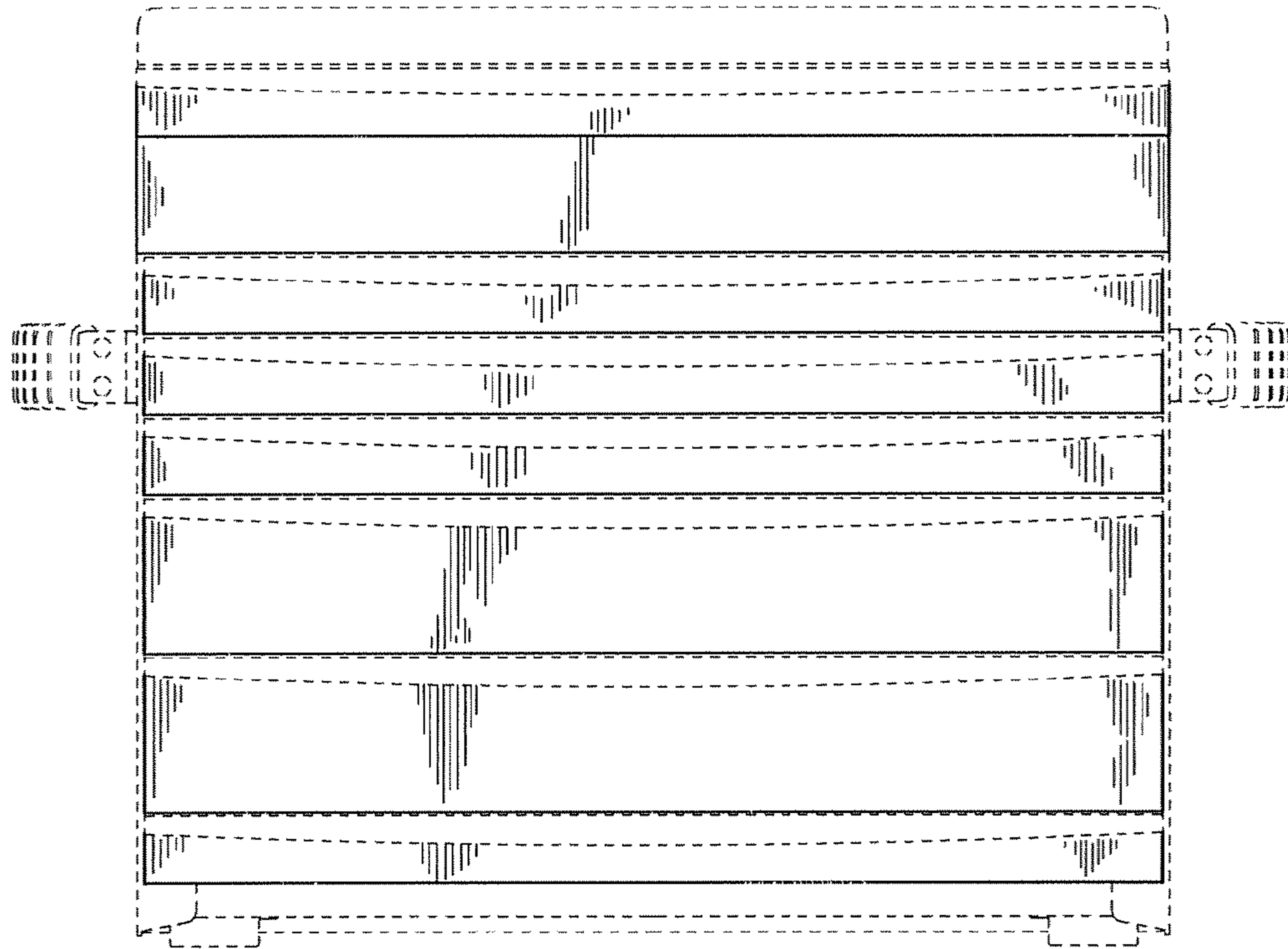


Fig. 2

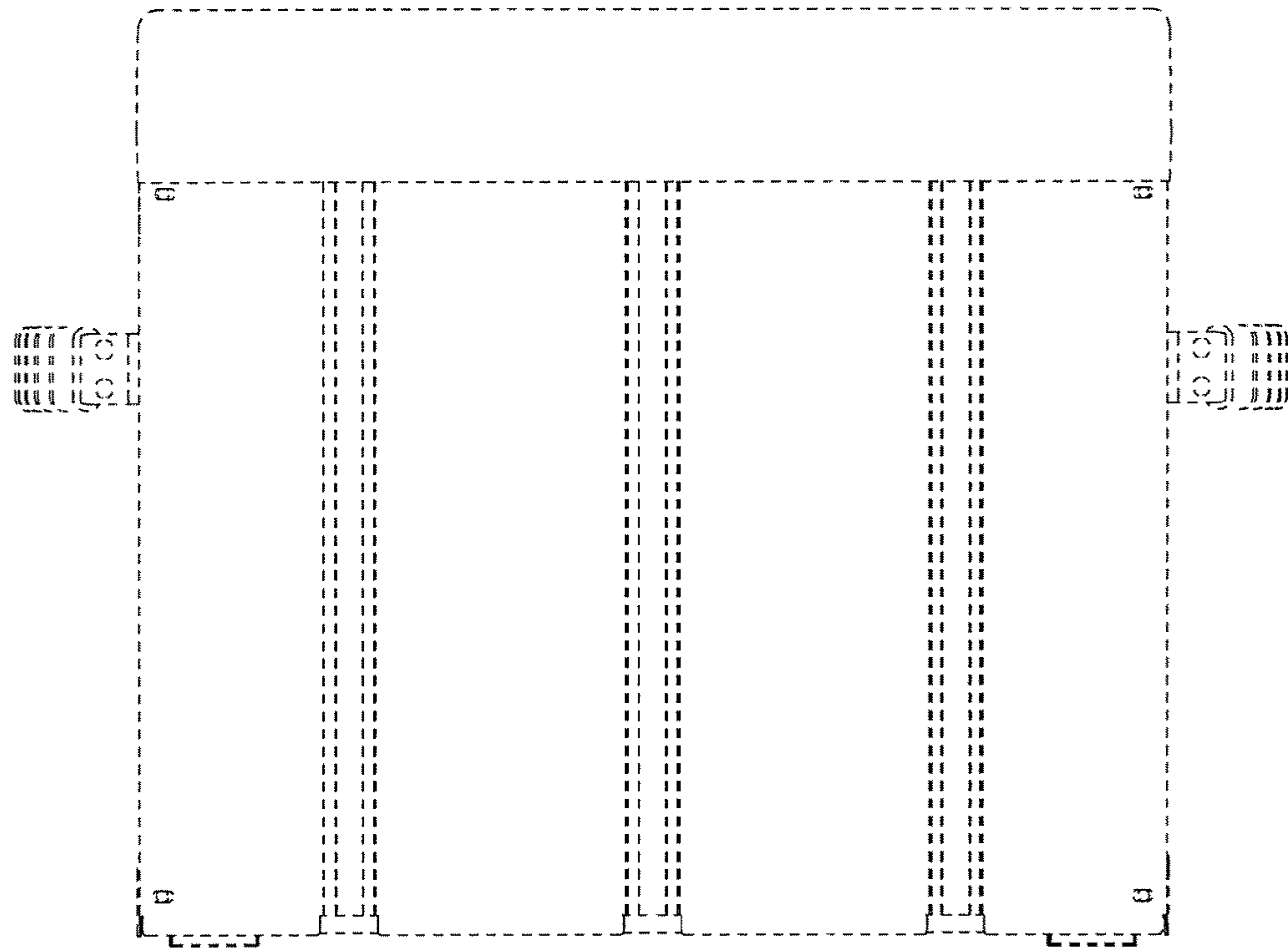


Fig. 3

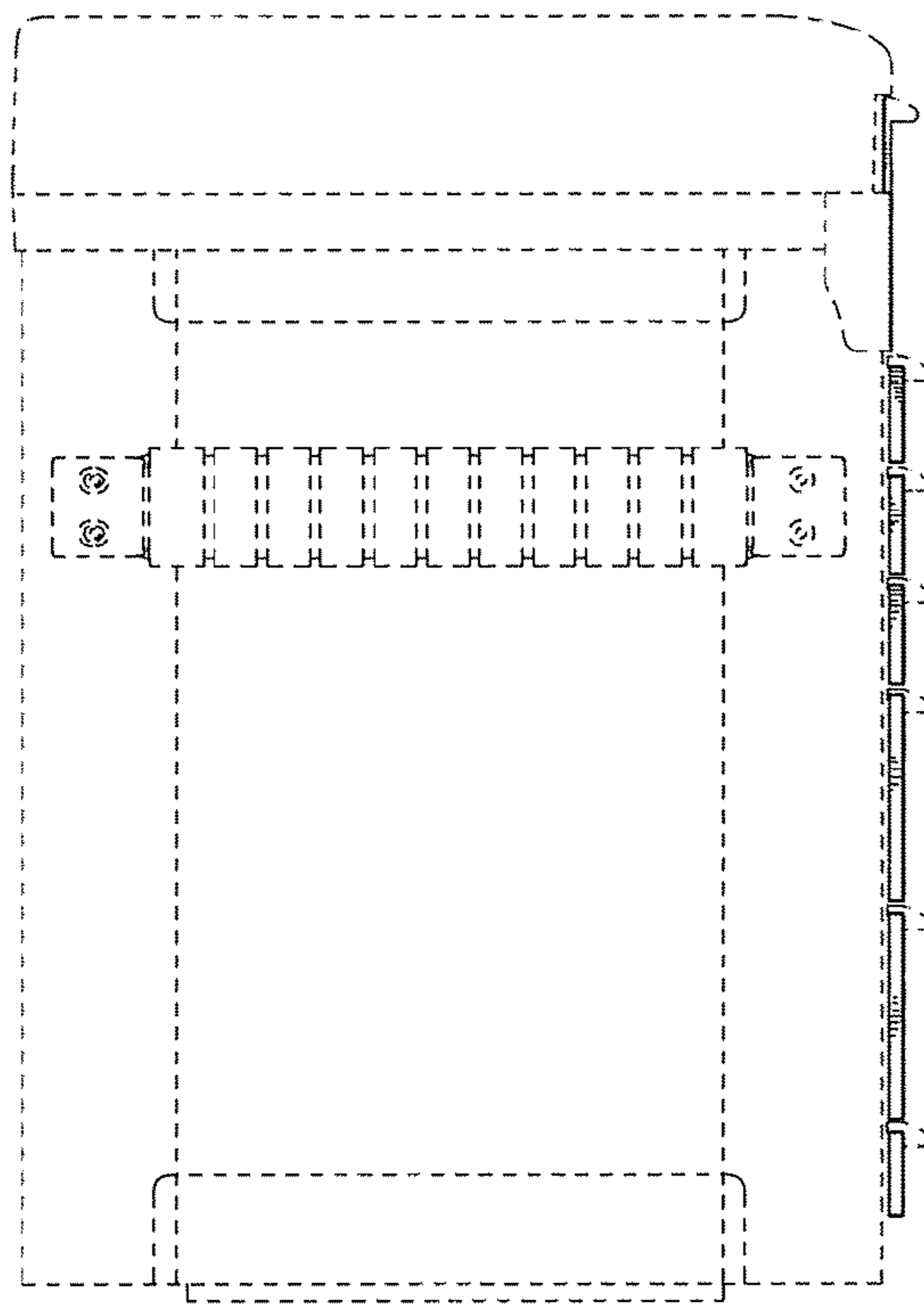


Fig. 4

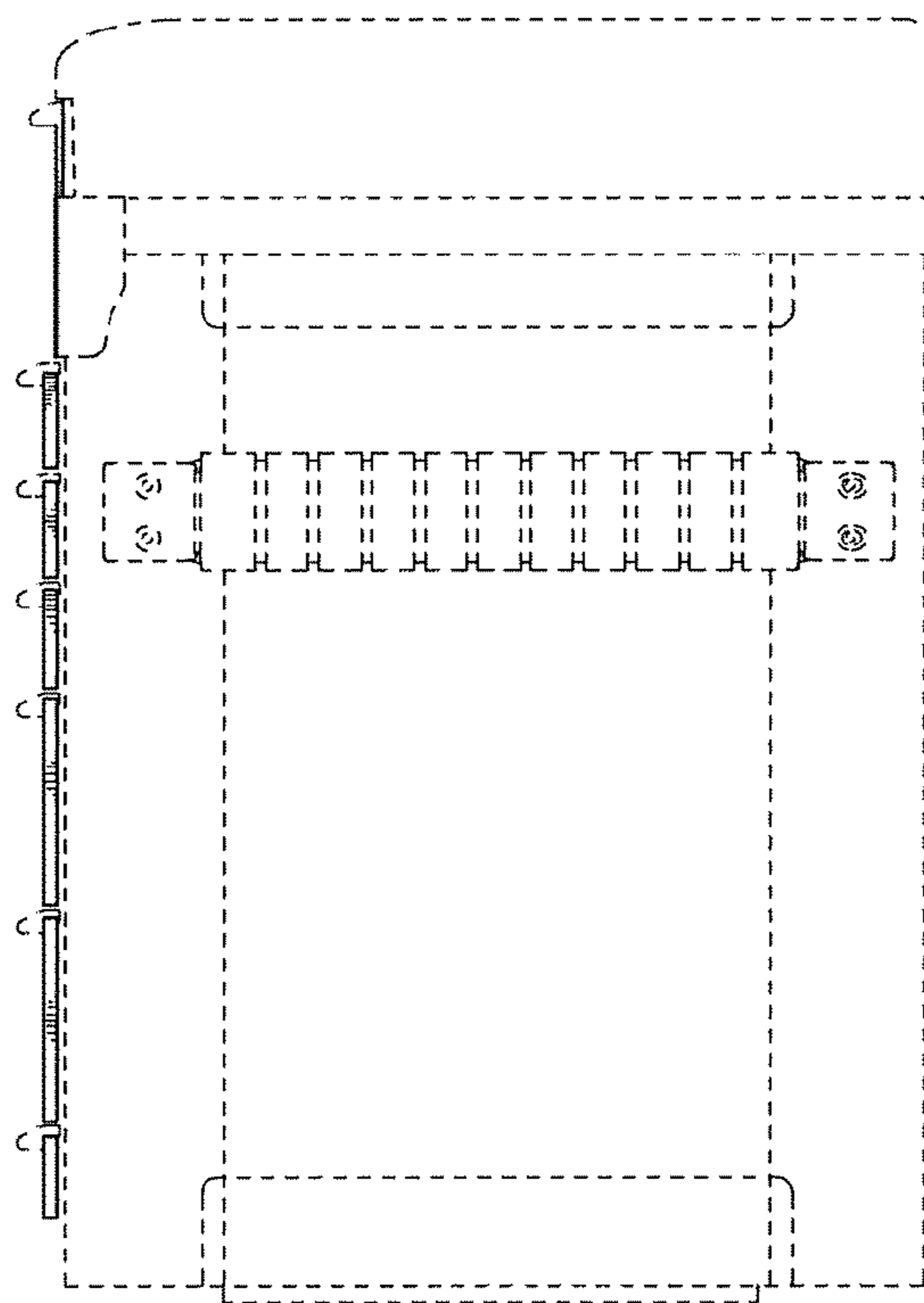


Fig. 5

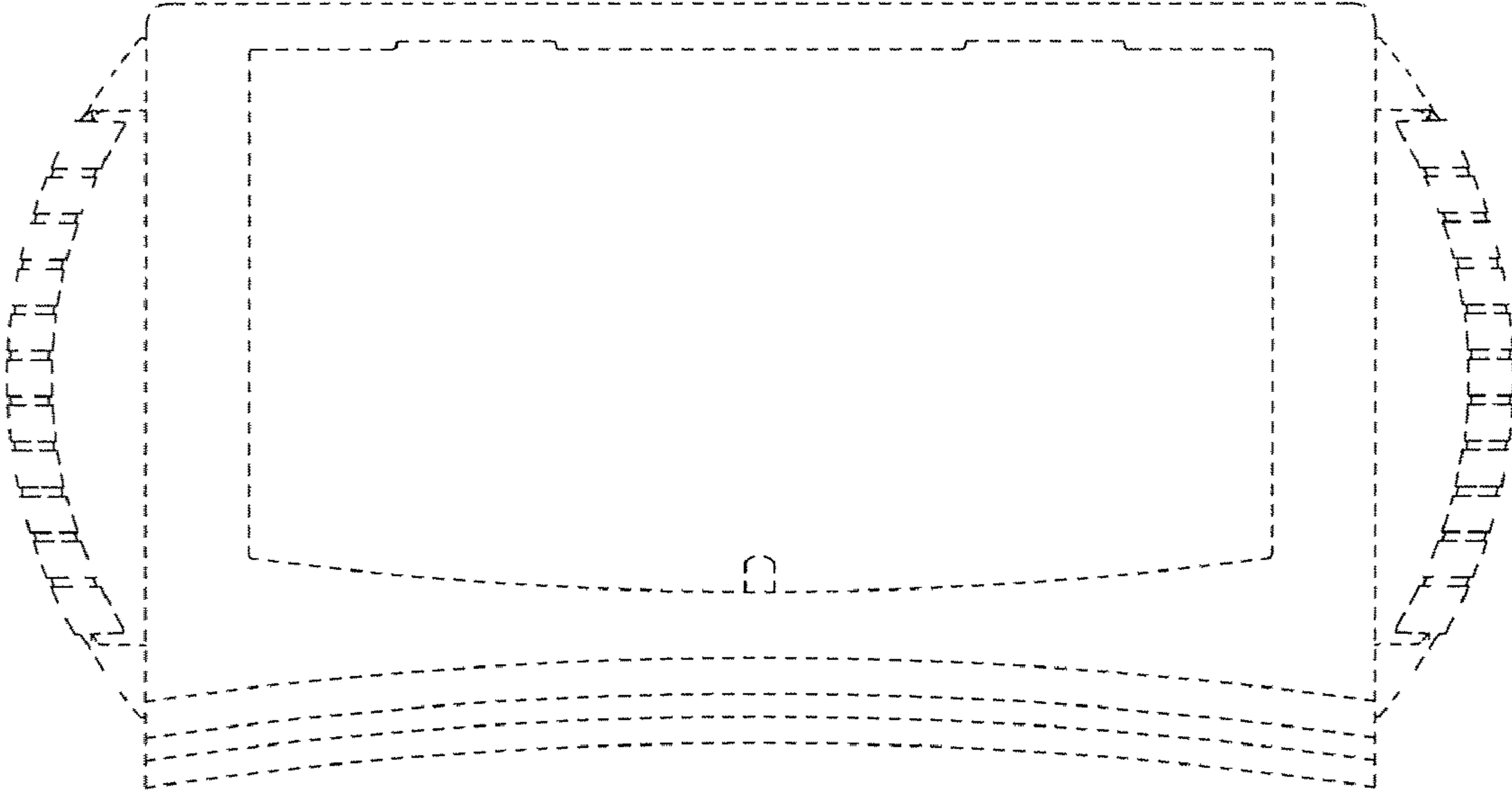


Fig. 6

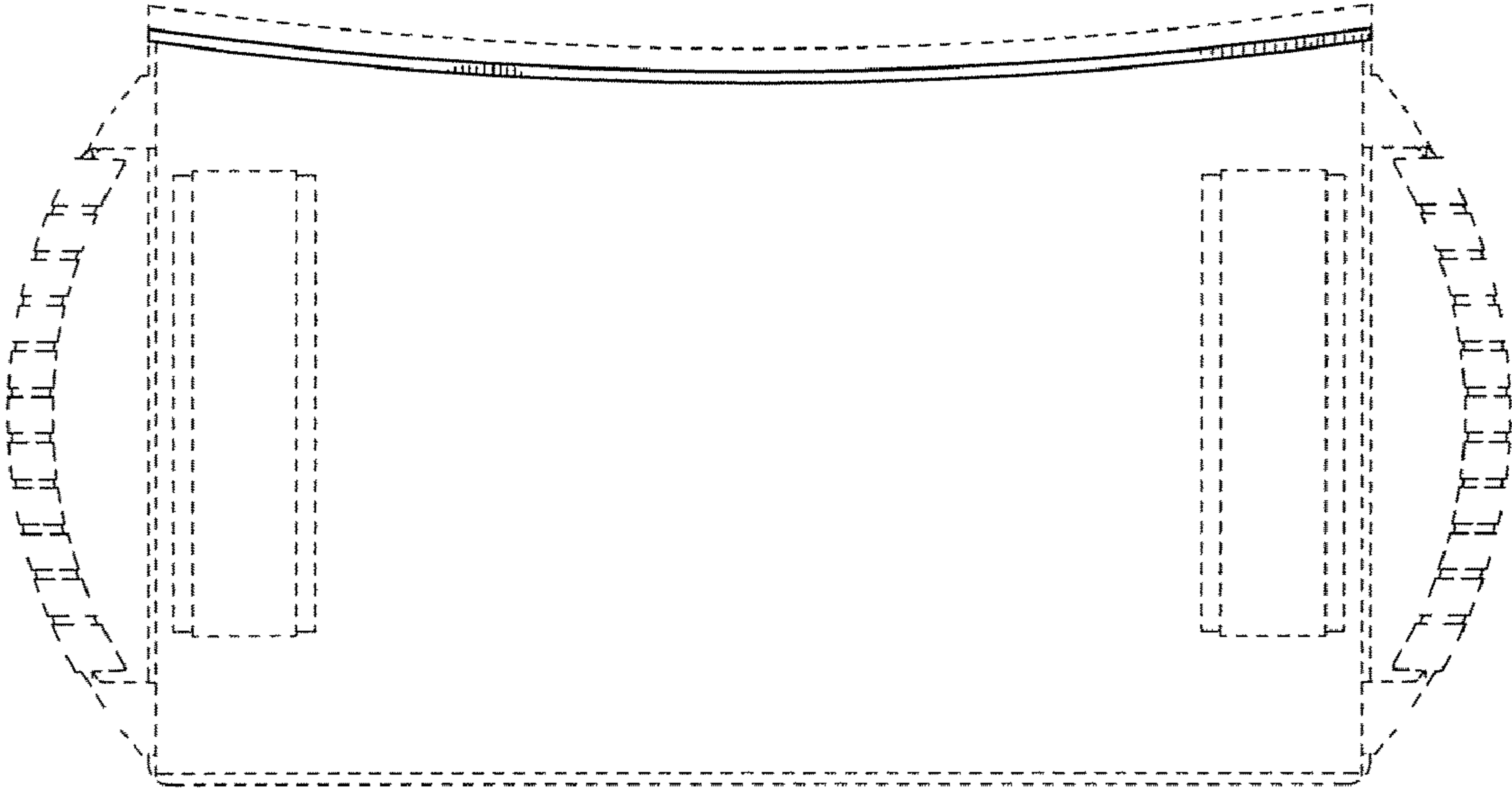


Fig. 7