



US00D605880S

(12) **United States Design Patent**
Muller

(10) **Patent No.:** **US D605,880 S**

(45) **Date of Patent:** **** Dec. 15, 2009**

(54) **SEAT FRAME**

(75) **Inventor:** **Carl A. Muller**, Huntington Beach, CA (US)

(73) **Assignee:** **Elite Manufacturing Corporation**, Santa Fe Springs, CA (US)

(**) **Term:** **14 Years**

(21) **Appl. No.:** **29/340,577**

(22) **Filed:** **Jul. 21, 2009**

(51) **LOC (9) Cl.** **06-01**

(52) **U.S. Cl.** **D6/500; D6/360; D6/364; D6/375**

(58) **Field of Classification Search** D6/334-336, D6/356, 360, 361, 364, 365, 366, 367, 375, D6/379, 380, 498, 500-502; 297/344.12, 297/411.41, 411.44, 423.25, 445.1, 452.12, 297/452.19, 451.4, 451.5, 452.2, 461

See application file for complete search history.

(56) **References Cited**

U.S. PATENT DOCUMENTS

| | | | | | |
|------------|---|---------|-----------------|-------|--------|
| D142,802 S | * | 11/1945 | Weill | | D6/375 |
| D235,236 S | * | 6/1975 | Prizlow | | D6/375 |
| D256,299 S | * | 8/1980 | MacCready | | D6/356 |
| D335,037 S | * | 4/1993 | Montague et al. | | D6/364 |
| D351,070 S | * | 10/1994 | Scheper et al. | | D6/366 |
| D486,313 S | * | 2/2004 | Manzali | | D6/360 |
| D487,982 S | * | 4/2004 | Lee | | D6/360 |
| D487,983 S | | 4/2004 | Muller | | D6/360 |
| D487,986 S | | 4/2004 | Muller | | D6/365 |
| D533,375 S | | 12/2006 | Muller | | D6/500 |
| D540,048 S | * | 4/2007 | Llusca | | D6/360 |
| D542,573 S | | 5/2007 | Muller | | D6/500 |
| D555,949 S | | 11/2007 | Muller | | D6/502 |
| D573,379 S | | 7/2008 | Muller | | D6/502 |
| D573,816 S | | 7/2008 | Muller | | D6/502 |
| D576,415 S | * | 9/2008 | Li | | D6/360 |

OTHER PUBLICATIONS

Loop Chair, designed by Burkhard Vogtherr, manufactured by Davis Furniture Industries Inc., High Point, North Carolina, printout available online on Aug. 11, 2009, at <http://www.davisfurniture.com/s2/Content/ProductFamily/Loop/Loop1.aspx?SectionId=100&ProductFamilyID=18&Section=Product+Family&p=p7>, 1-page, 2008.

Loft Lounge Chair, designed by Shelly Shelly, Art Center College of Design, Pasadena, California, manufactured by Bernhardt Design, Lenoir, North Carolina, printout available online on Aug. 11, 2009, at <http://www.bernhardtdesign.com/products/index.html?id=110>, 1-page, 2008.

Gap Chair, designed by Ilkka Suppanen, manufactured by Ferlea, Italy, printout available online on Aug. 11, 2009, at <http://www.ferlea.com/en/products/gap/index.htm>, 2-pages, 2004.

* cited by examiner

Primary Examiner—Mimosa De

(74) *Attorney, Agent, or Firm*—Heslin Rothenberg Farley & Mesiti P.C.

(57) **CLAIM**

The ornamental design for a seat frame, as shown and described.

DESCRIPTION

FIG. 1 is an isometric view of a seat frame in accordance with the new design;

FIG. 2 is a front elevational view thereof;

FIG. 3 is a rear elevational view thereof;

FIG. 4 is a right side elevational view thereof;

FIG. 5 is a left side elevational view thereof;

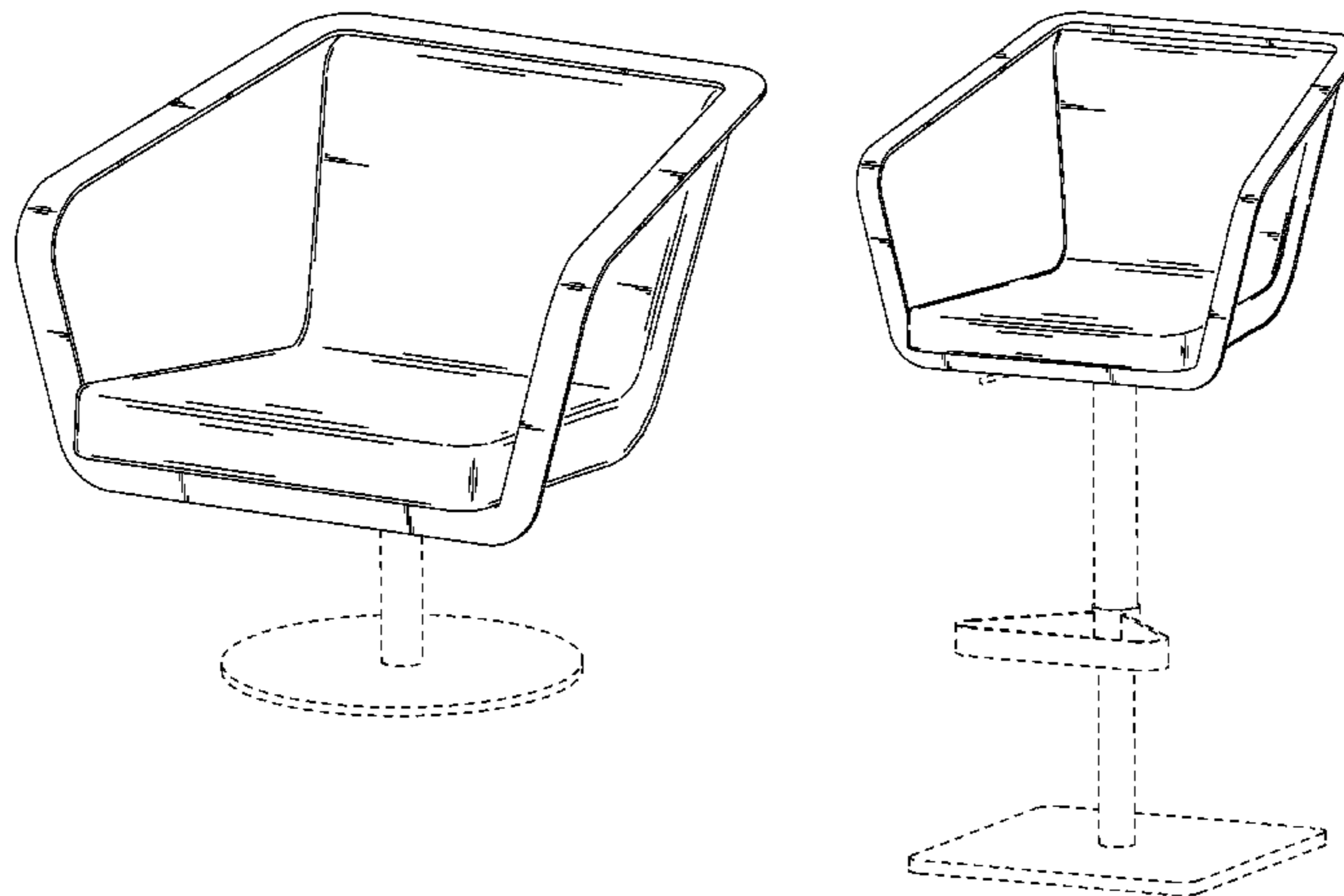
FIG. 6 is a top view thereof;

FIG. 7 is an isometric view of an alternative embodiment of the seat frame configured as a dining chair; and,

FIG. 8 is an isometric view of an alternative embodiment of the seat frame configured as a barstool.

The broken lines in the figures are for illustrative purposes only and form no part of the claimed design.

1 Claim, 8 Drawing Sheets



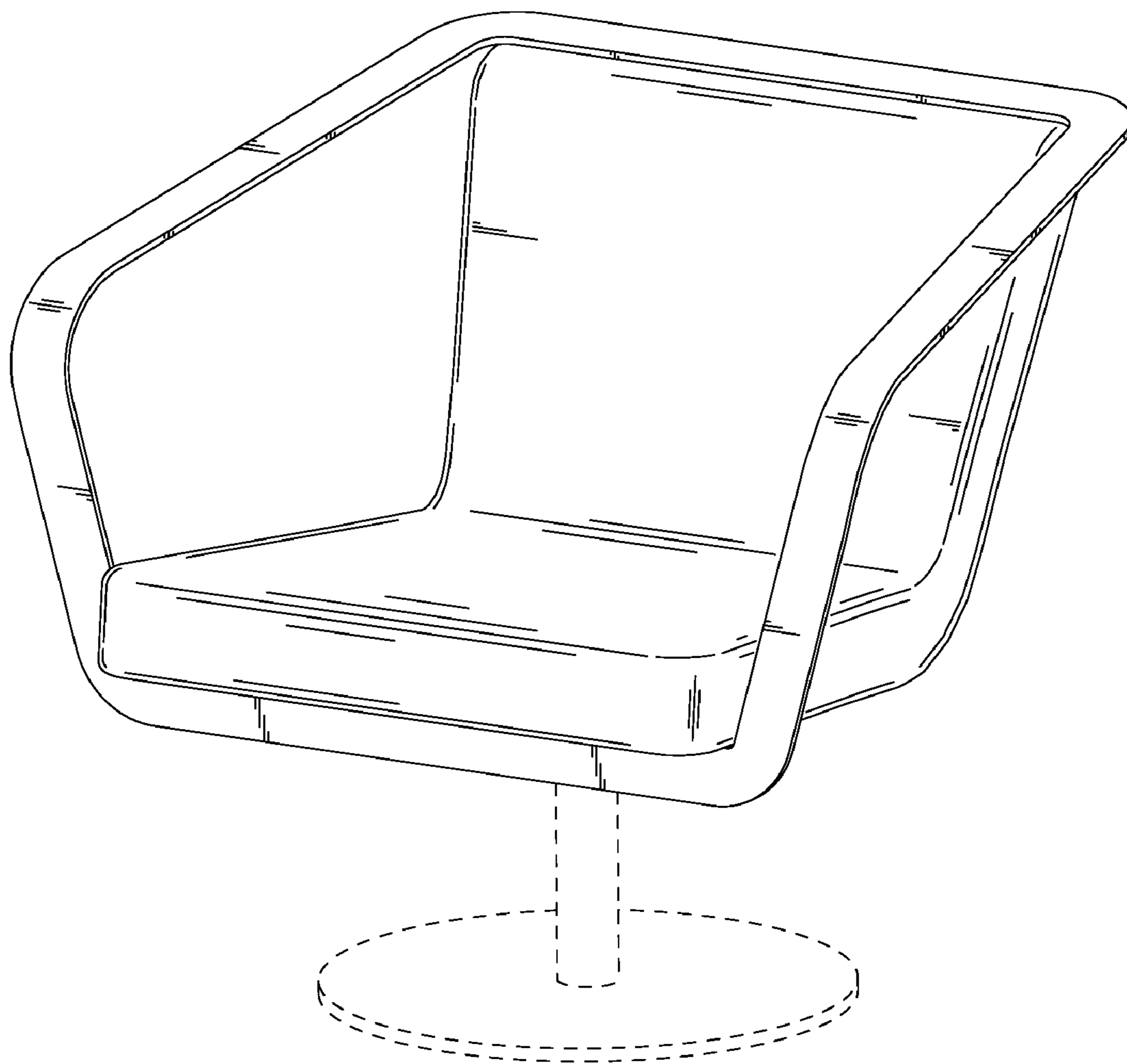


FIG. 1

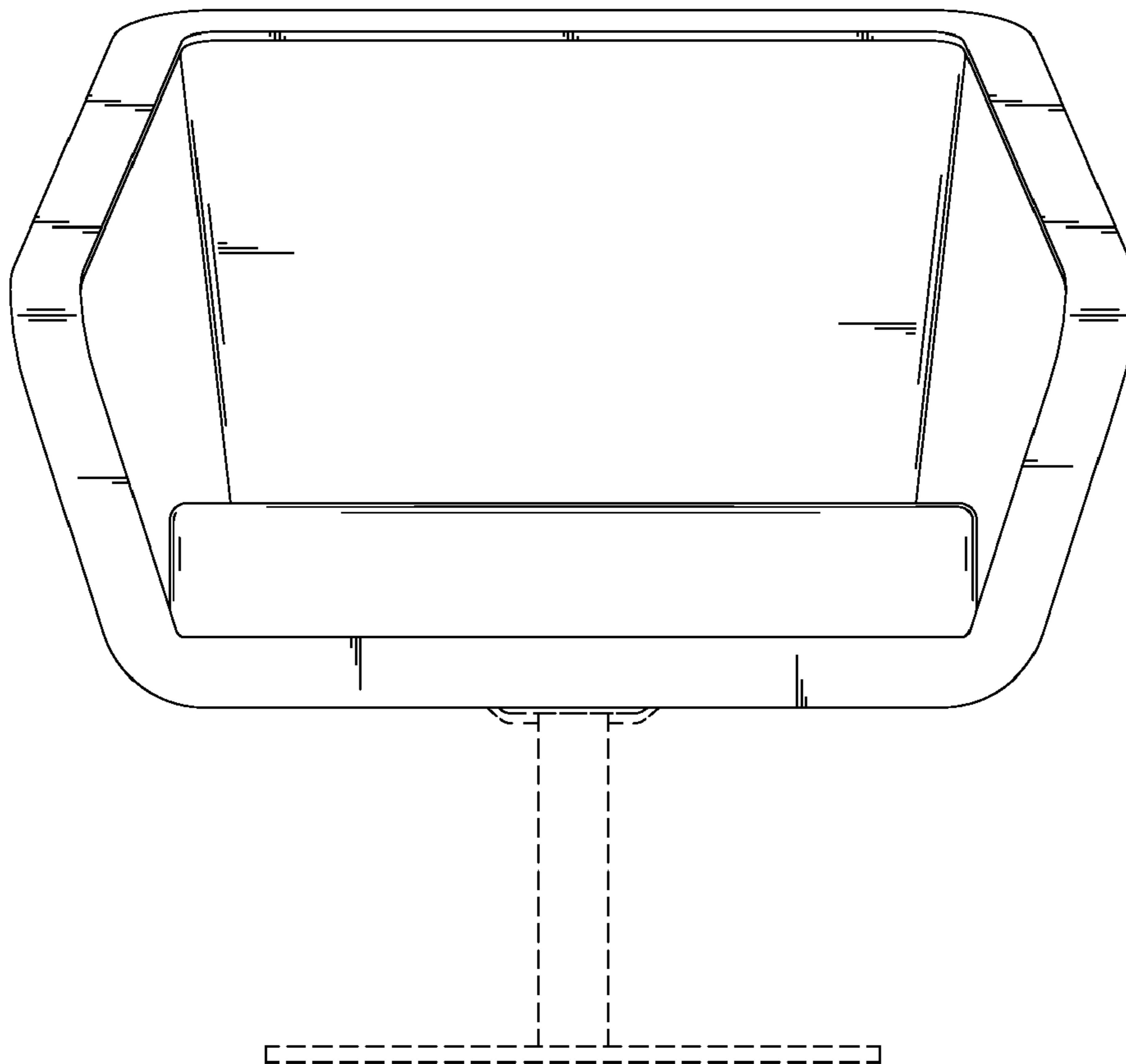


FIG. 2

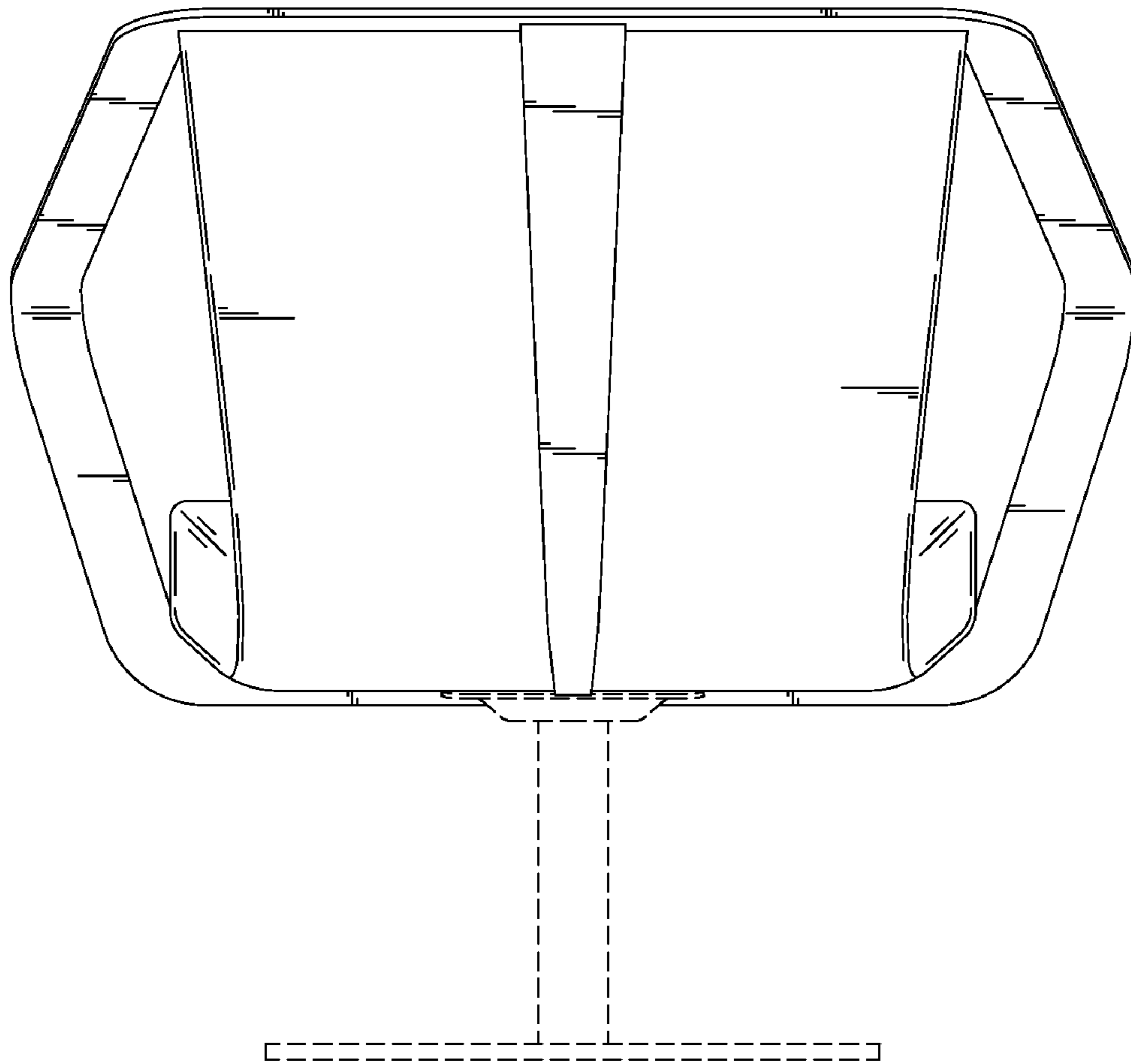


FIG. 3

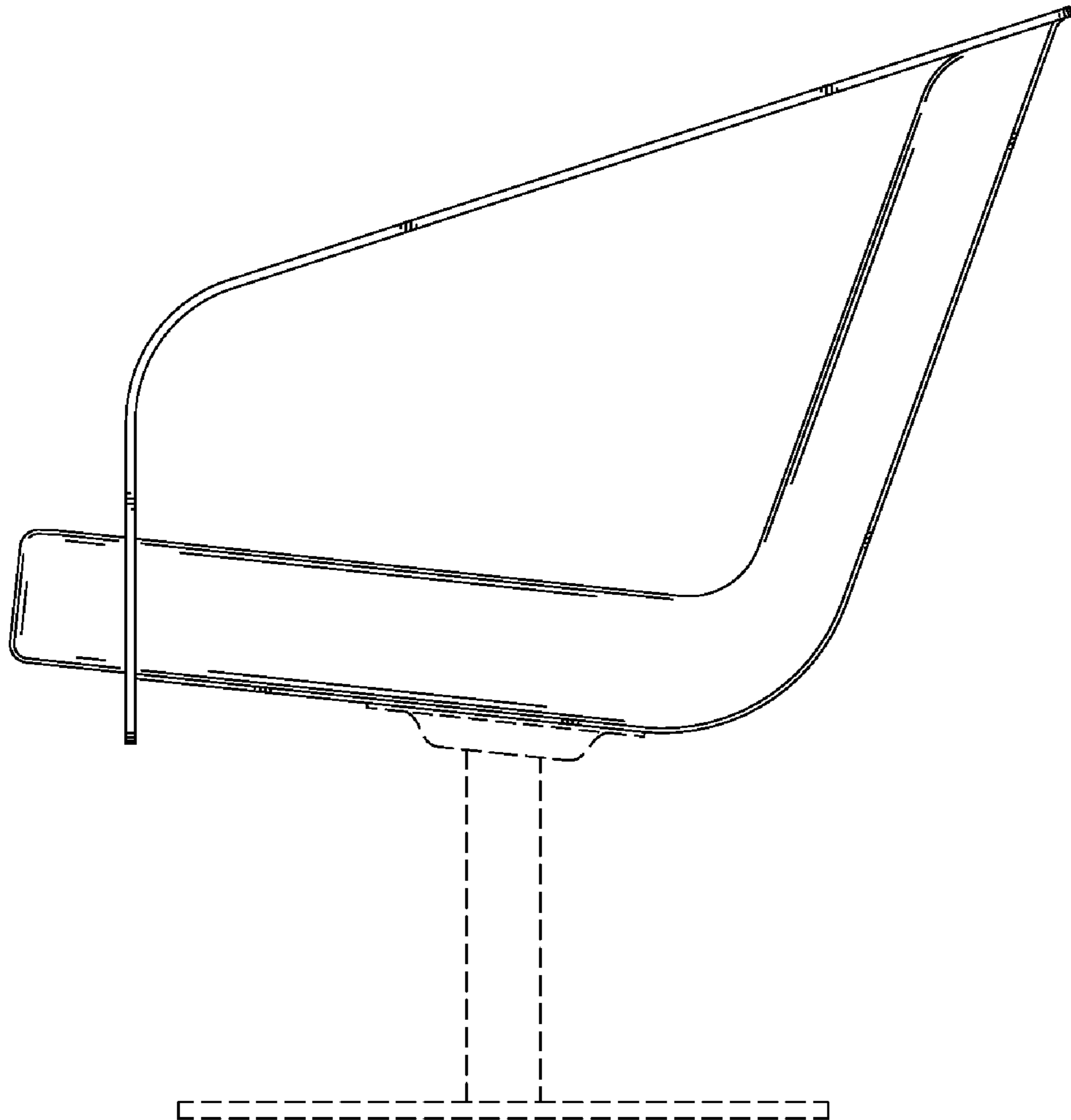


FIG. 4

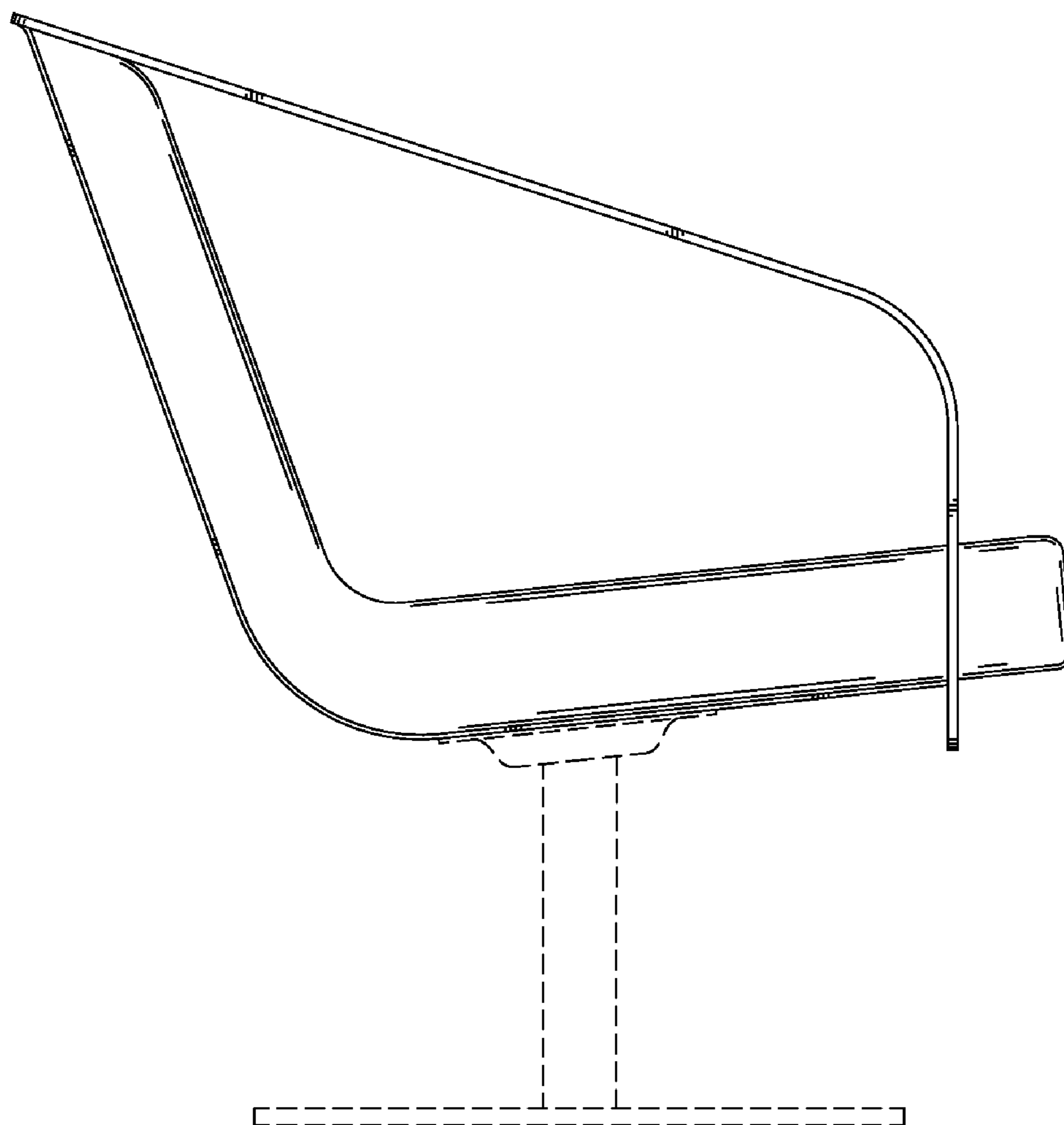


FIG. 5

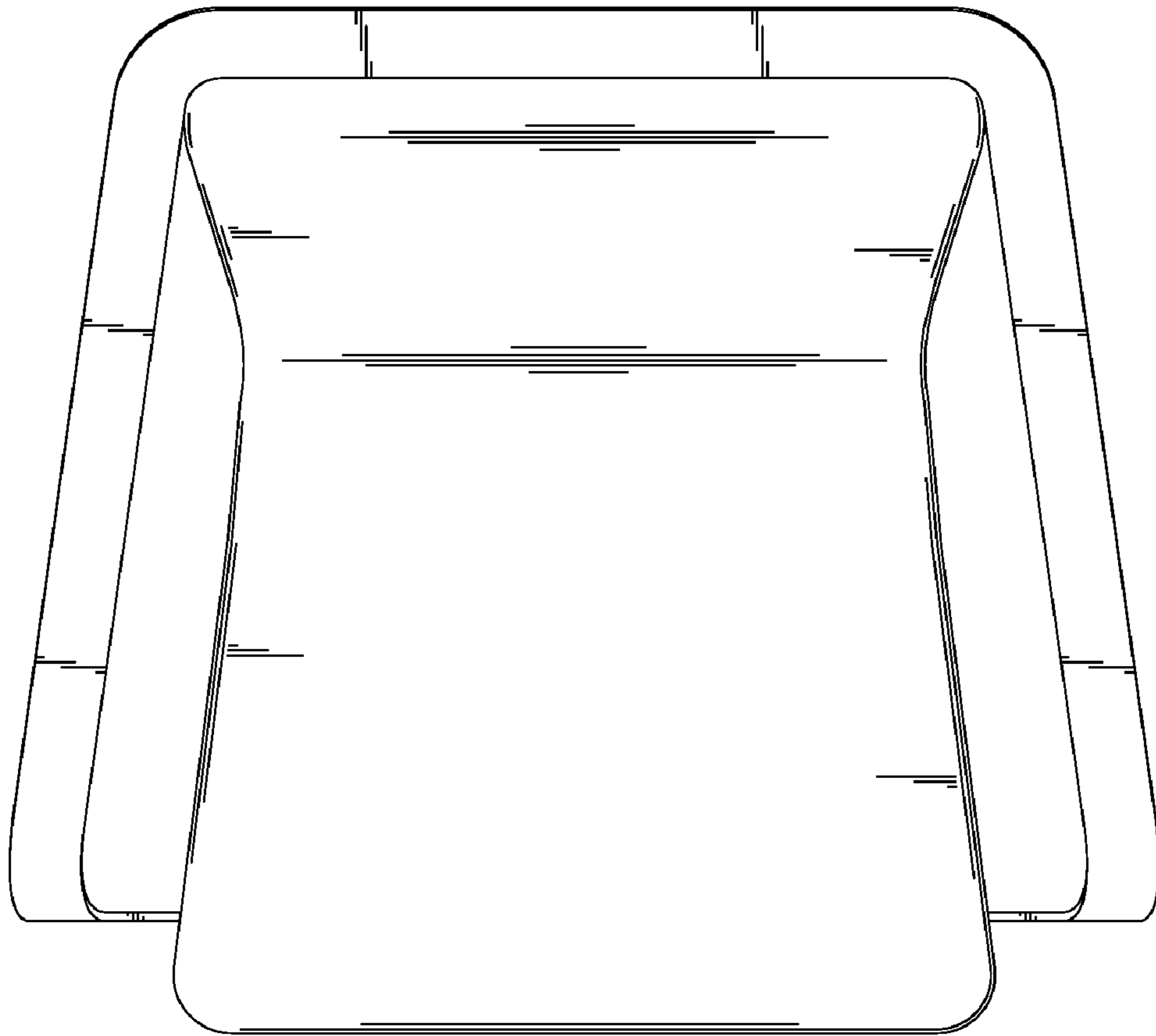


FIG. 6

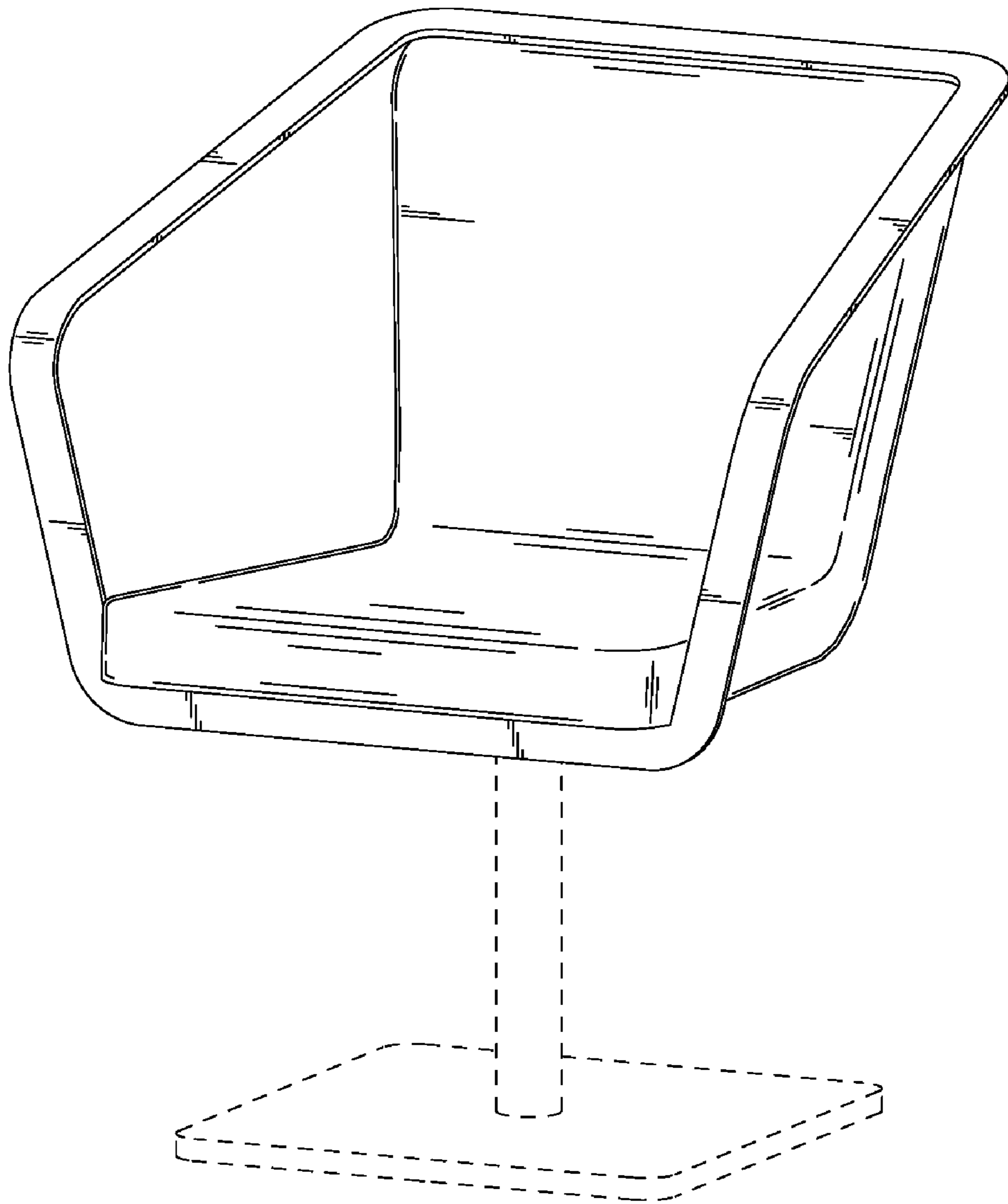


FIG. 7

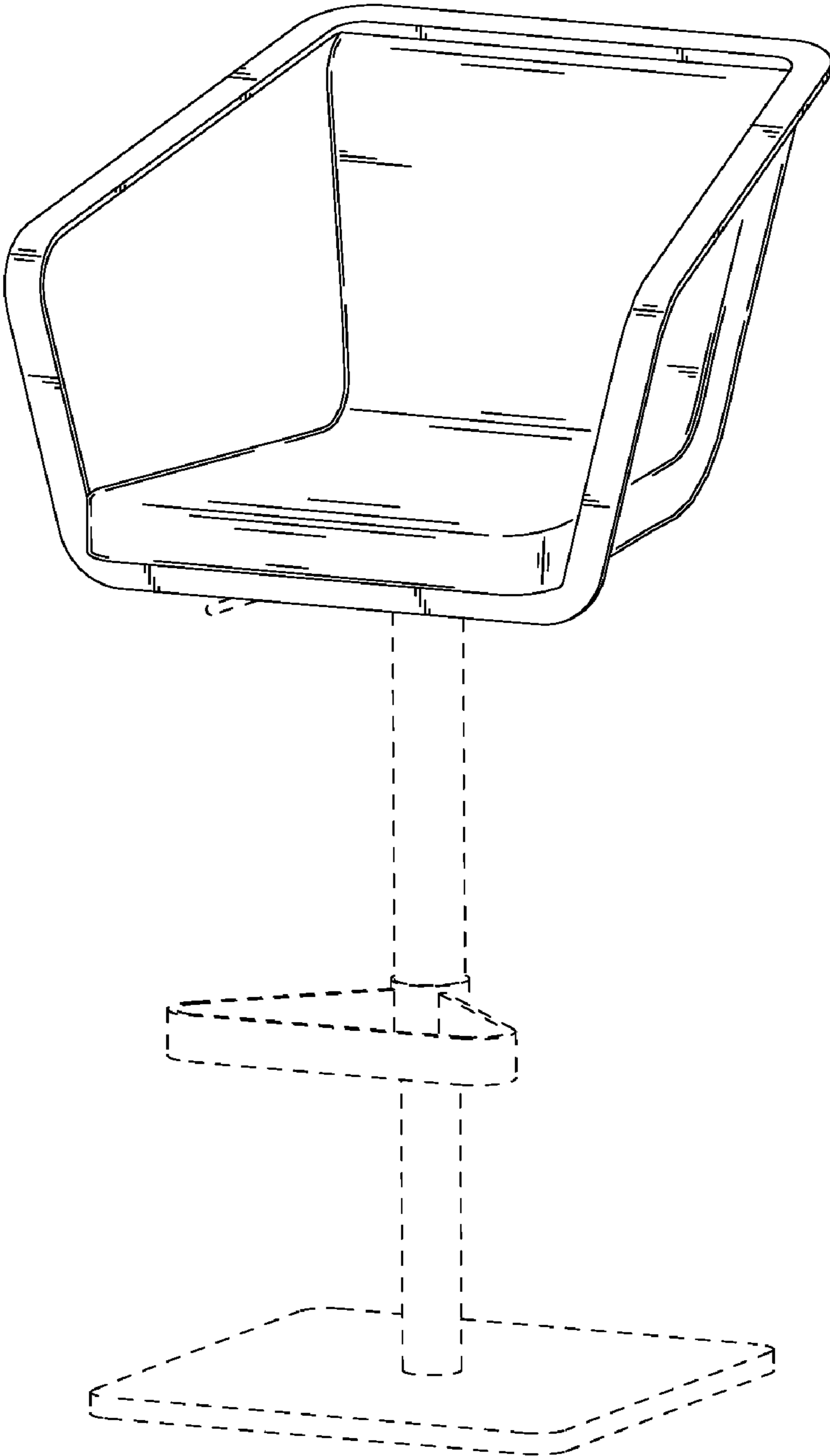


FIG. 8