



US00D605879S

(12) **United States Design Patent**  
**Krauss et al.**

(10) **Patent No.:** **US D605,879 S**  
(45) **Date of Patent:** **\*\* Dec. 15, 2009**

(54) **VEHICLE SEAT BASE**

(75) Inventors: **Kevin M. Krauss**, Maynard, MA (US);  
**Michael E. Laude**, Upton, MA (US);  
**David H. Pitcher**, Worcester, MA (US)

(73) Assignee: **Bose Corporation**, Framingham, MA  
(US)

(\*\*) Term: **14 Years**

(21) Appl. No.: **29/333,652**

(22) Filed: **Mar. 12, 2009**

(51) **LOC (9) Cl.** ..... **06-01**

(52) **U.S. Cl.** ..... **D6/500; D6/356**

(58) **Field of Classification Search** ..... D6/334-336,  
D6/356, 367, 368, 374, 375, 491, 495, 500-502;  
297/217.1, 232, 344.21, 344.22, 344.23,  
297/344.24, 353, 354.1

See application file for complete search history.

(56) **References Cited**

**U.S. PATENT DOCUMENTS**

D277,239 S *	1/1985	White	.....	D6/356
D281,472 S *	11/1985	Soederberg	.....	D6/356
D283,089 S *	3/1986	McArdle	.....	D6/367
D298,986 S *	12/1988	Carter	.....	D6/356
6,027,170 A *	2/2000	Benz et al.	.....	297/344.21

D426,392 S *	6/2000	Ott et al.	.....	D6/356
D465,344 S *	11/2002	Siegert	.....	D6/356
D577,499 S *	9/2008	Tsay et al.	.....	D6/356
7,547,068 B2 *	6/2009	Davis	.....	297/353
2006/0226685 A1 *	10/2006	Priepke et al.	.....	297/344.24
2007/0164592 A1 *	7/2007	Gerhardt	.....	297/344.23
2009/0174246 A1 *	7/2009	Kaip et al.	.....	297/344.21

\* cited by examiner

*Primary Examiner*—Mimosa De

(57) **CLAIM**

The ornamental design for a vehicle seat base, substantially as shown and described.

**DESCRIPTION**

FIGS. 1 and 2 are perspective views of a vehicle seat base.

FIG. 3 is a front view of the vehicle seat base.

FIG. 4 is a left side view of the vehicle seat base.

FIG. 5 is a rear view of the vehicle seat base.

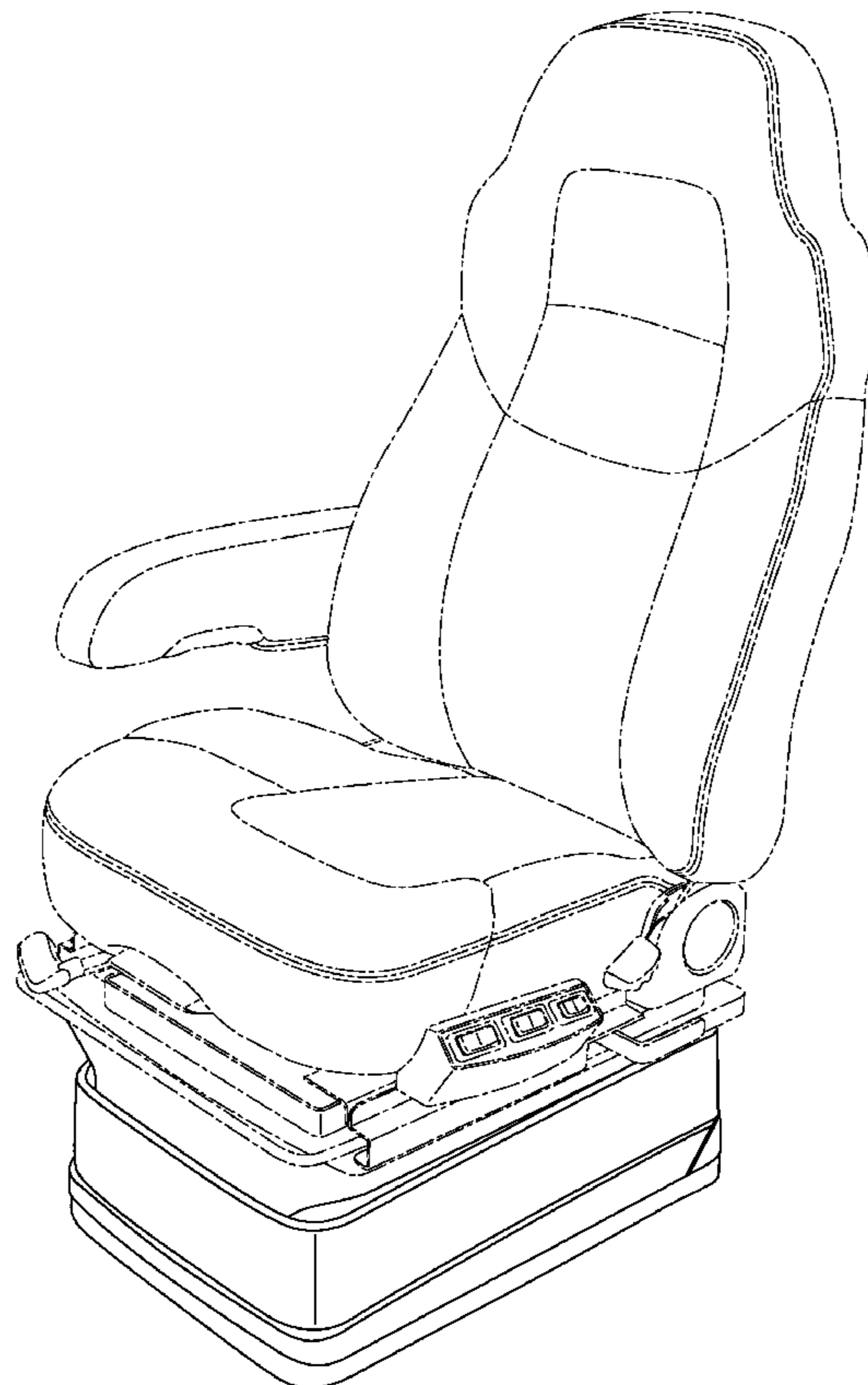
FIG. 6 is a right side view of the vehicle seat base.

FIG. 7 is a top view of the vehicle seat base; and,

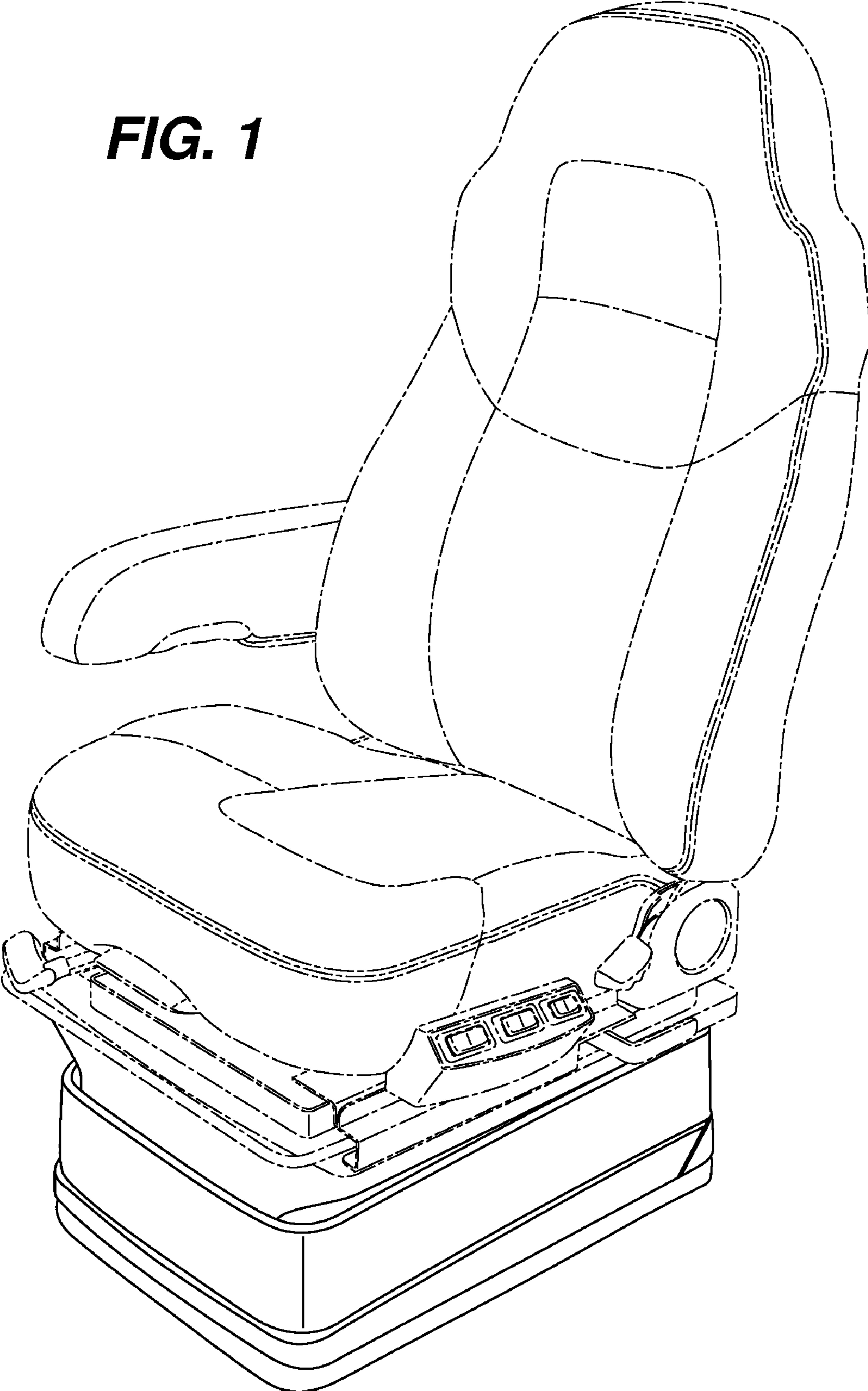
FIG. 8 is a bottom view of the vehicle seat base.

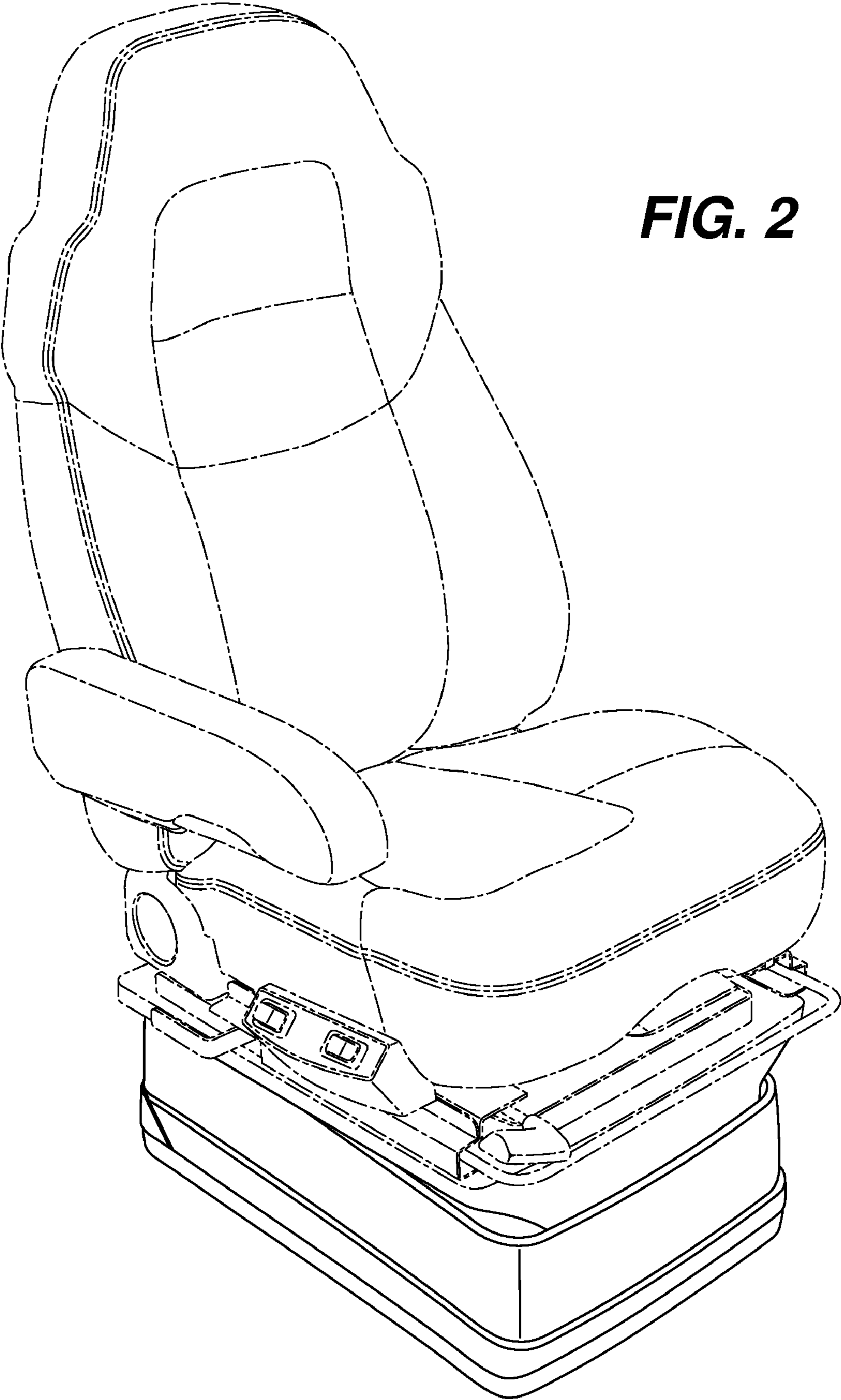
The dotted line portions of the drawing represent environmental structure only and do not form part of the claimed design.

**1 Claim, 8 Drawing Sheets**

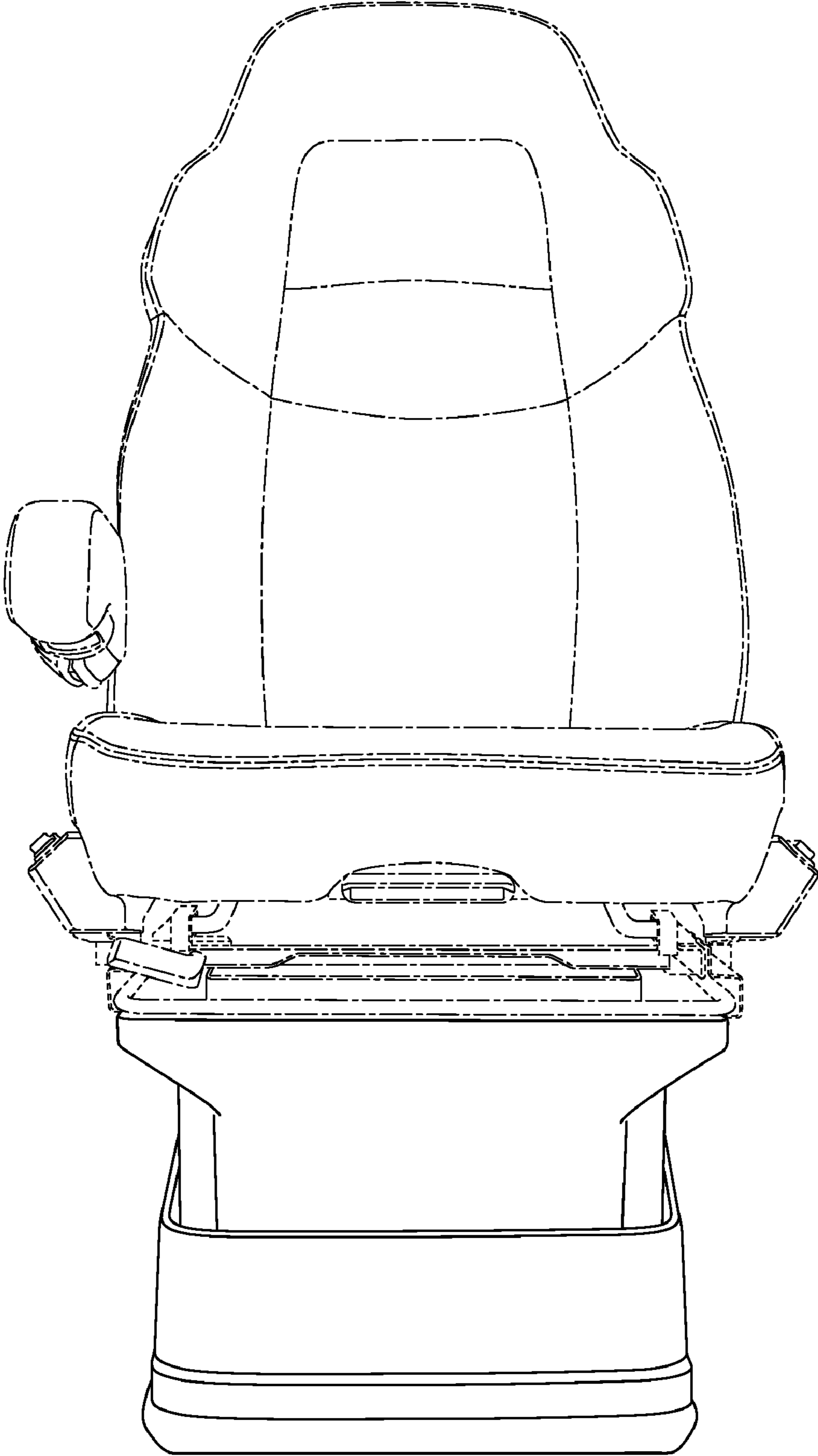


**FIG. 1**



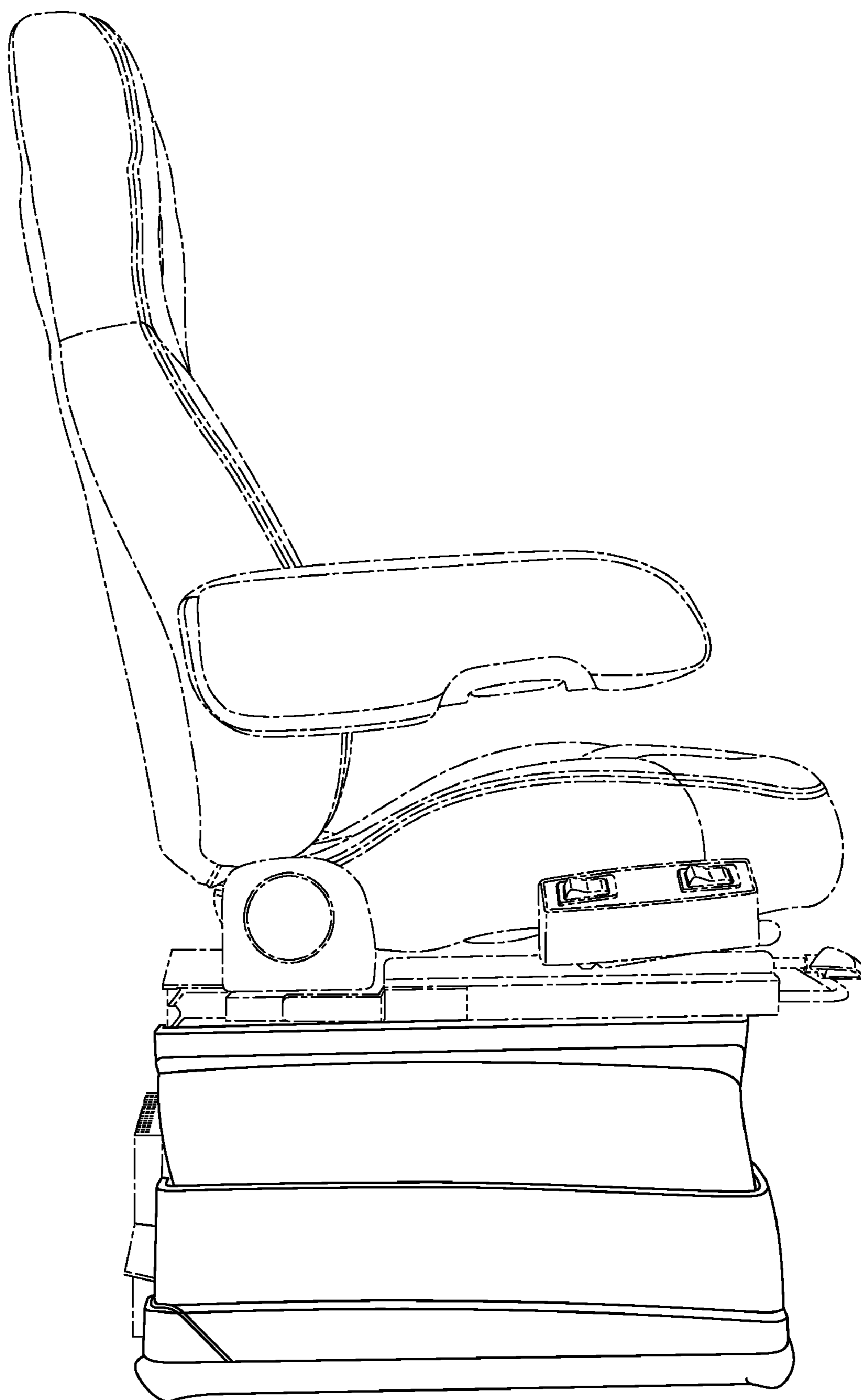


**FIG. 2**

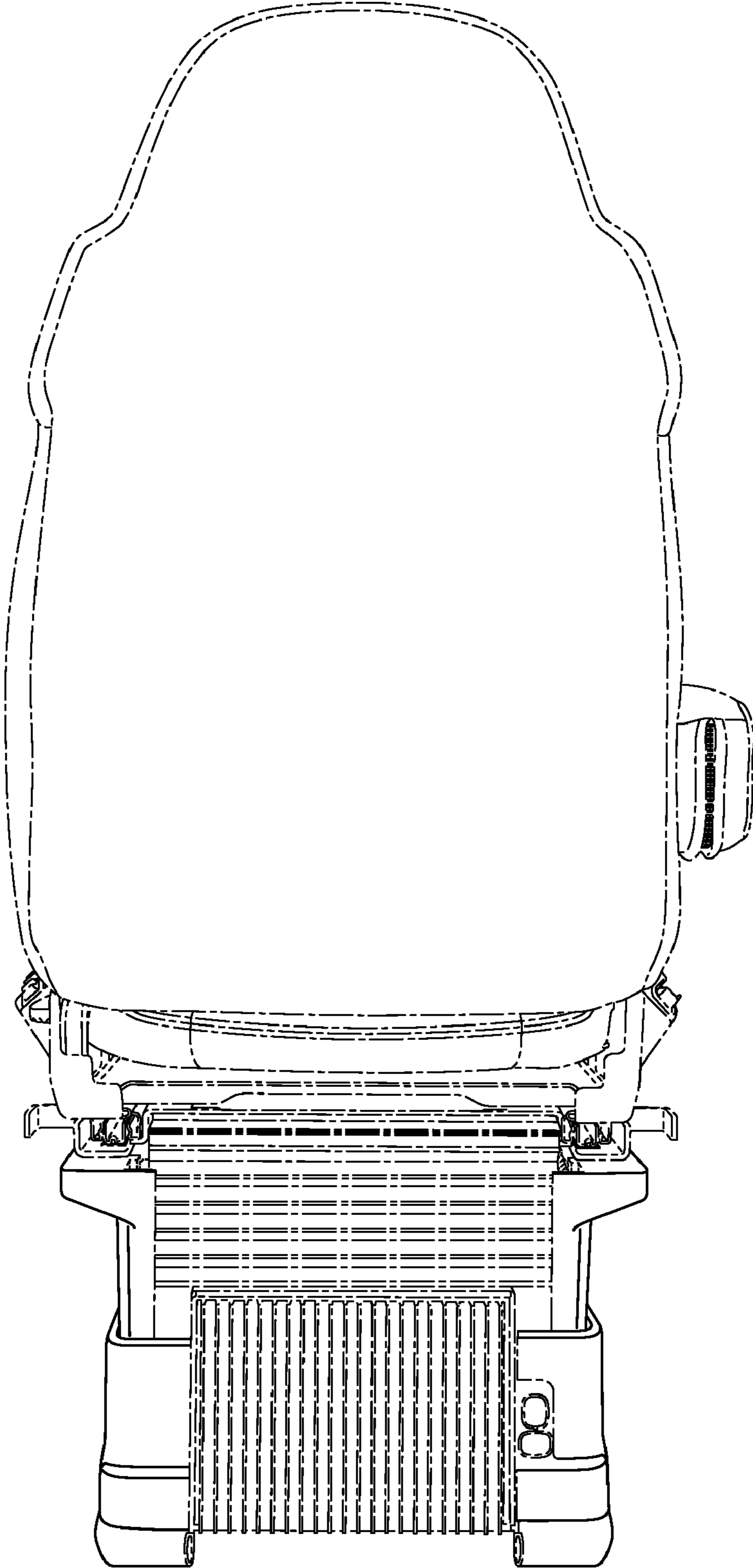


**FIG. 3**

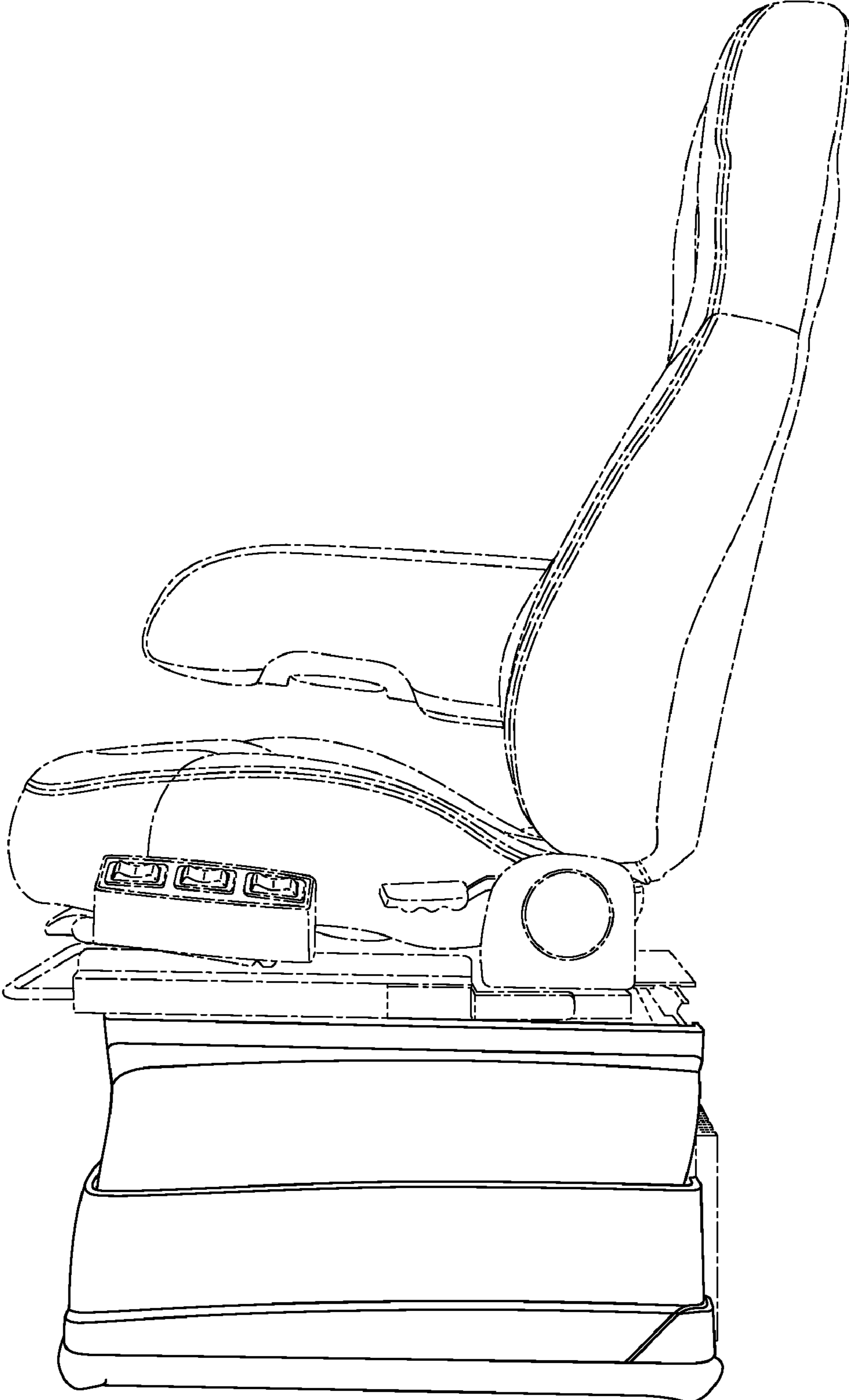




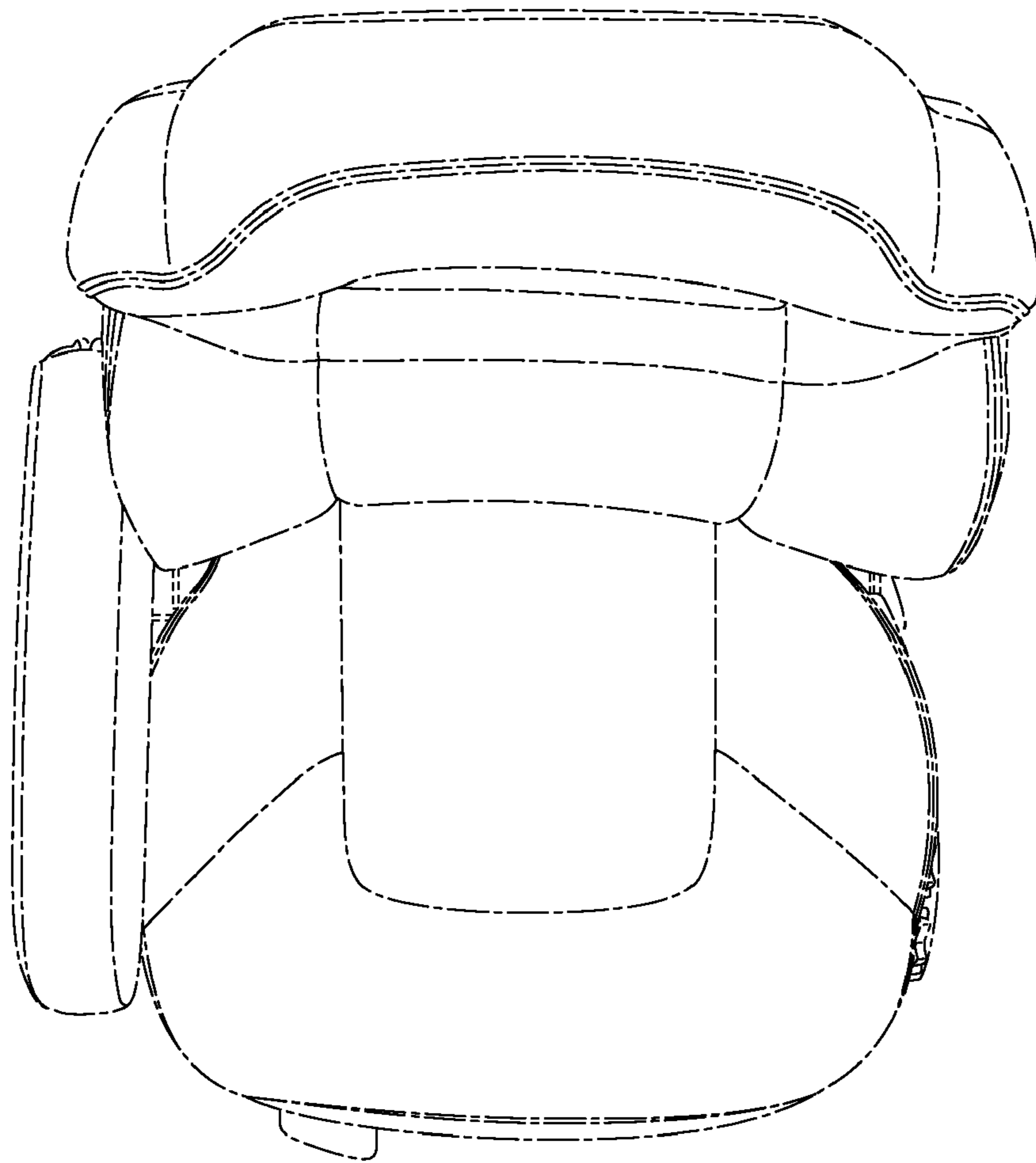
**FIG. 4**



**FIG. 5**

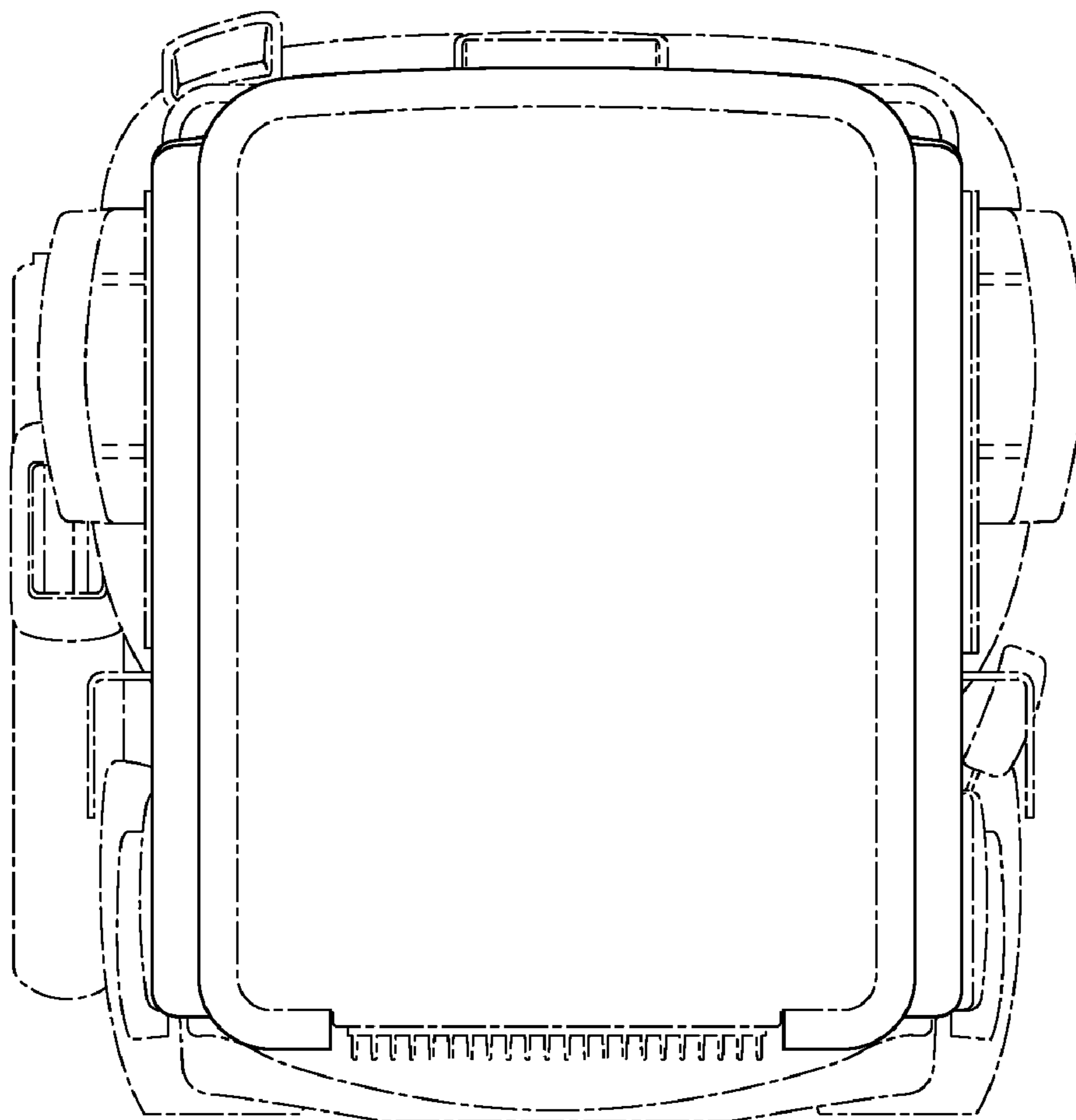


**FIG. 6**



**FIG. 7**





**FIG. 8**