

US00D605878S

(12) **United States Design Patent**  
**Pai et al.**

(10) **Patent No.:** **US D605,878 S**

(45) **Date of Patent:** **\*\* Dec. 15, 2009**

(54) **WORKSTATION LEG**

(75) Inventors: **Jillian Pai**, Chicago, IL (US); **Sean Scott**, Chicago, IL (US); **Dawn M. Boileau**, Liberty, MO (US)

(73) Assignee: **Surface Technologies, Inc.**, Kansas City, MO (US)

(\*\*) Term: **14 Years**

(21) Appl. No.: **29/340,043**

(22) Filed: **Jul. 13, 2009**

**Related U.S. Application Data**

(62) Division of application No. 29/319,592, filed on Jun. 11, 2008, now Pat. No. Des. 596,426.

(51) **LOC (9) Cl.** ..... **06-06**

(52) **U.S. Cl.** ..... **D6/495**

(58) **Field of Classification Search** ..... D6/480-489,  
D6/495-499, 429-430, 477, 479, 349, 436;  
108/153.1, 155, 156, 161, 50.01, 50.02; 248/188,  
248/188.1, 188.8

See application file for complete search history.

(56) **References Cited**

**U.S. PATENT DOCUMENTS**

D319,935 S *	9/1991	Heidmann	.....	D6/422
D330,302 S *	10/1992	Heidmann	.....	D6/495
D335,406 S *	5/1993	Vonhausen	.....	D9/484
D370,579 S *	6/1996	Simon	.....	D6/484
D409,021 S *	5/1999	Cheng et al.	.....	D6/495
D423,256 S *	4/2000	Schiavello	.....	D6/495
D596,426 S *	7/2009	Pai et al.	.....	D6/495

\* cited by examiner

*Primary Examiner*—Janice E Seeger

(74) *Attorney, Agent, or Firm*—Hovey Williams LLP

(57) **CLAIM**

The ornamental design for a workstation leg, as shown and described.

**DESCRIPTION**

FIG. 1 is a front perspective view of a table leg embodying our design and being depicted as part of a workstation for environmental purposes, with the opposite leg and desktop and modesty panel of the workstation, the feet of the gliders at the bottom of the table legs, and the generally trapezoidal shaped recesses at opposite ends of the table legs being shown in broken lines for illustrative purposes only and forming no part of the claimed design;

FIG. 2 is a rear perspective view of the table leg shown in FIG. 1, with the connection plate at the top the leg and the fasteners interconnecting the pedestal and post of the leg being shown in broken lines for illustrative purposes only and forming no part of the claimed design;

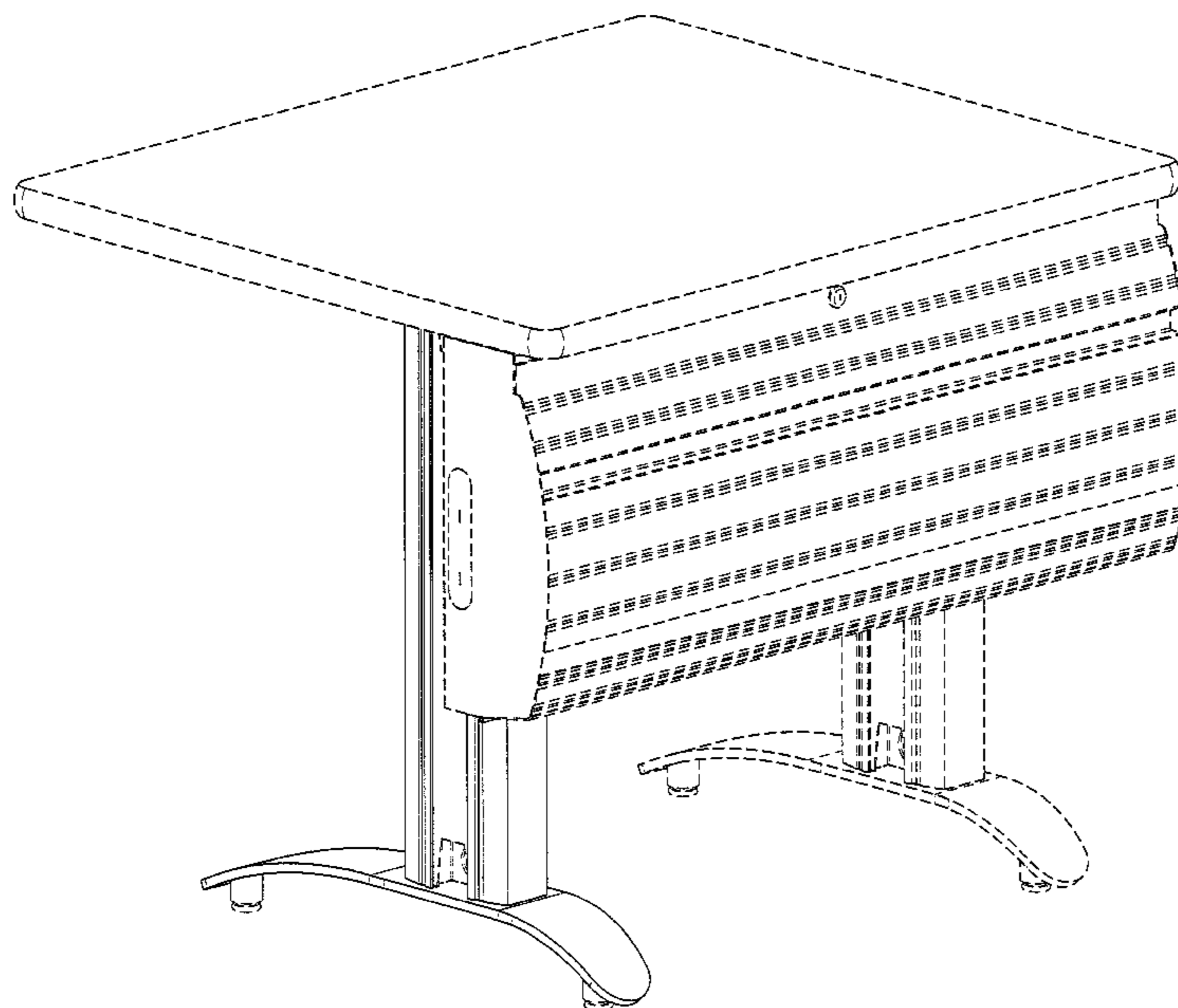
FIG. 3 is a front elevational view of the table leg shown in FIGS. 1 and 2;

FIG. 4 is a side elevational view of the table leg shown in FIGS. 1-3, with the opposite side elevational view being a mirror image thereof;

FIG. 5 is a rear elevational view of the table leg shown in FIGS. 1-4;

FIG. 6 is a top view of the table leg shown in FIGS. 1-5; and, FIG. 7 is a bottom view of the table leg shown in 1-6.

**1 Claim, 4 Drawing Sheets**



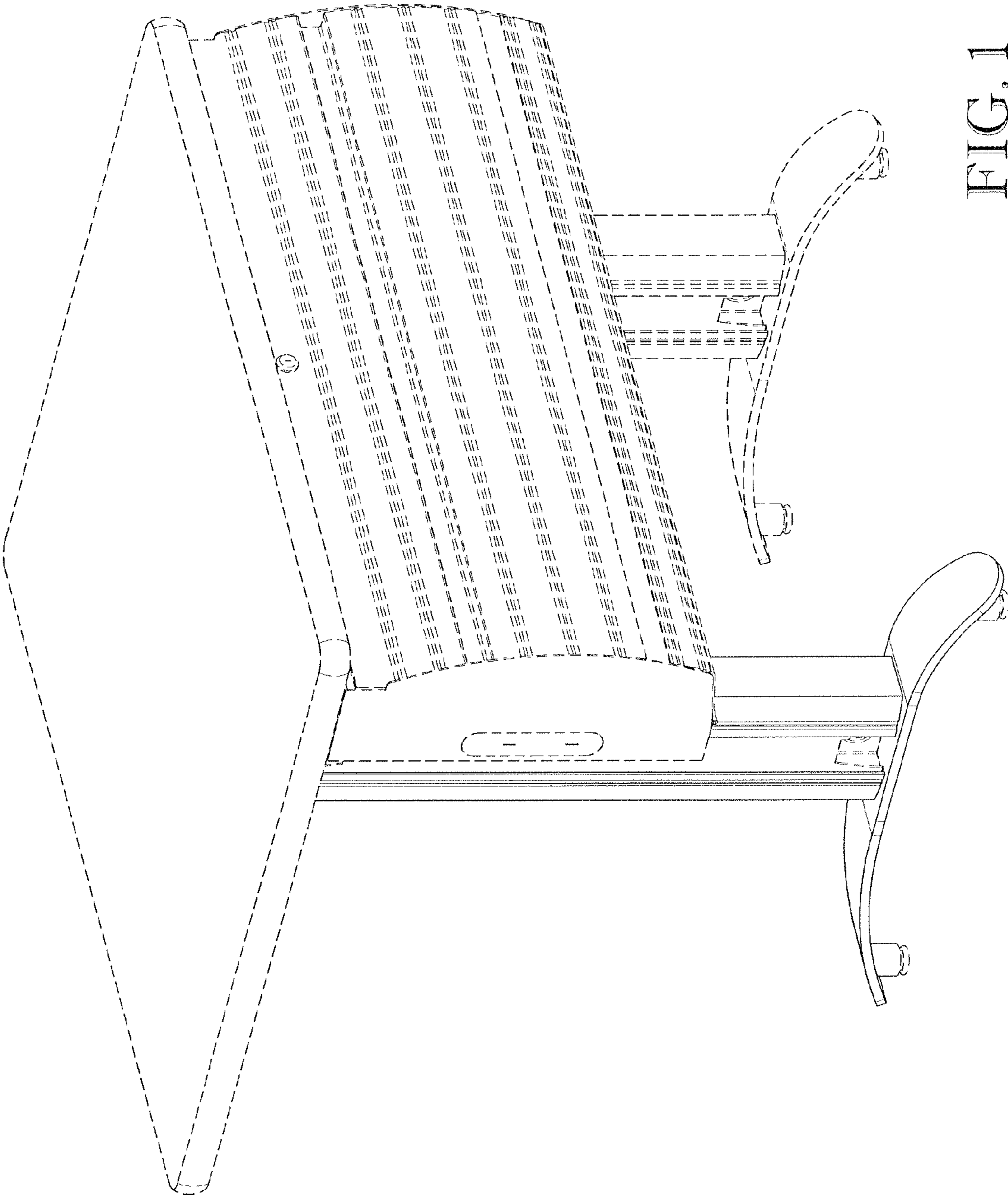
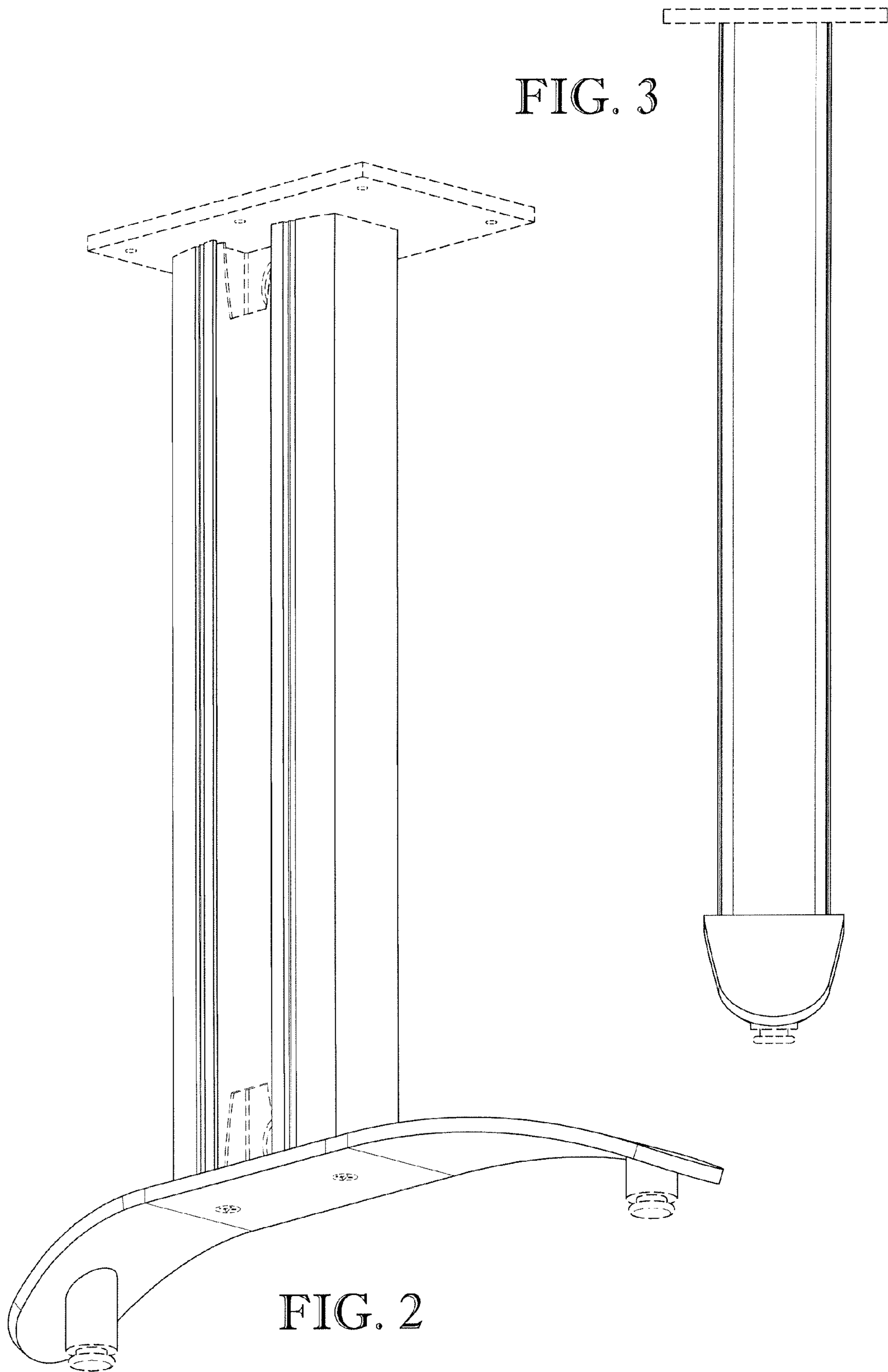


FIG. 1



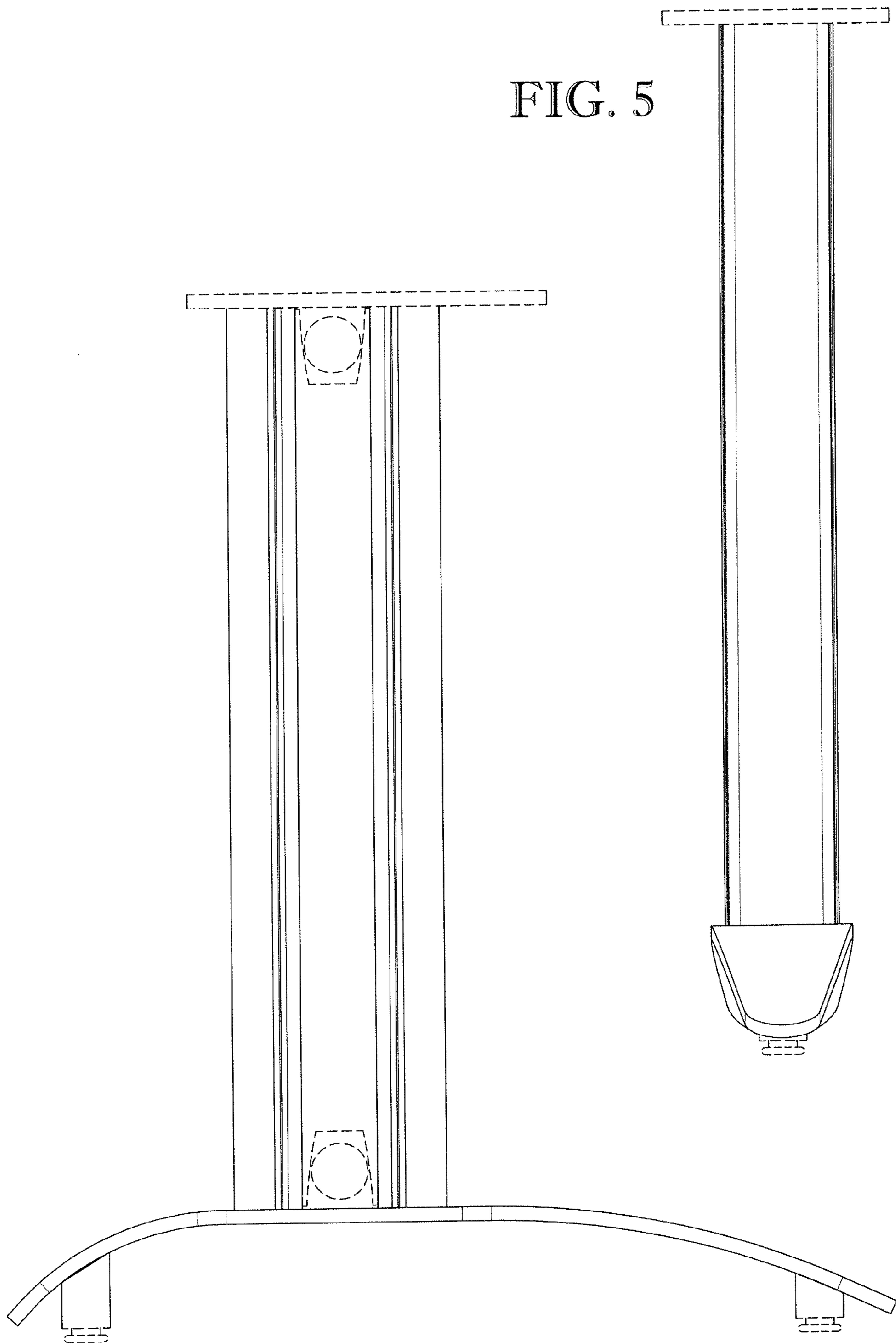


FIG. 5

FIG. 4



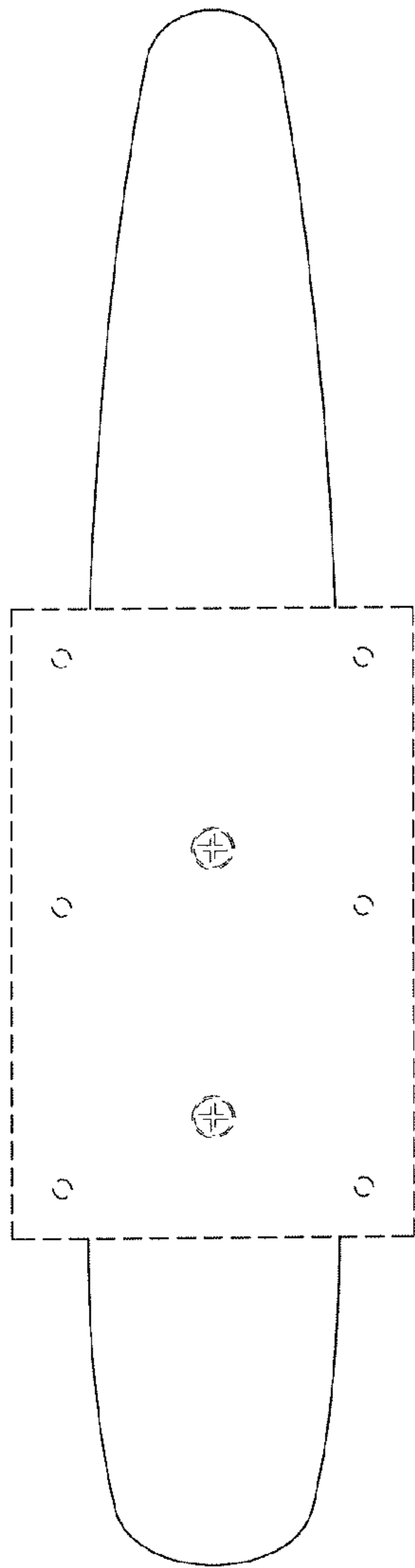


FIG. 6

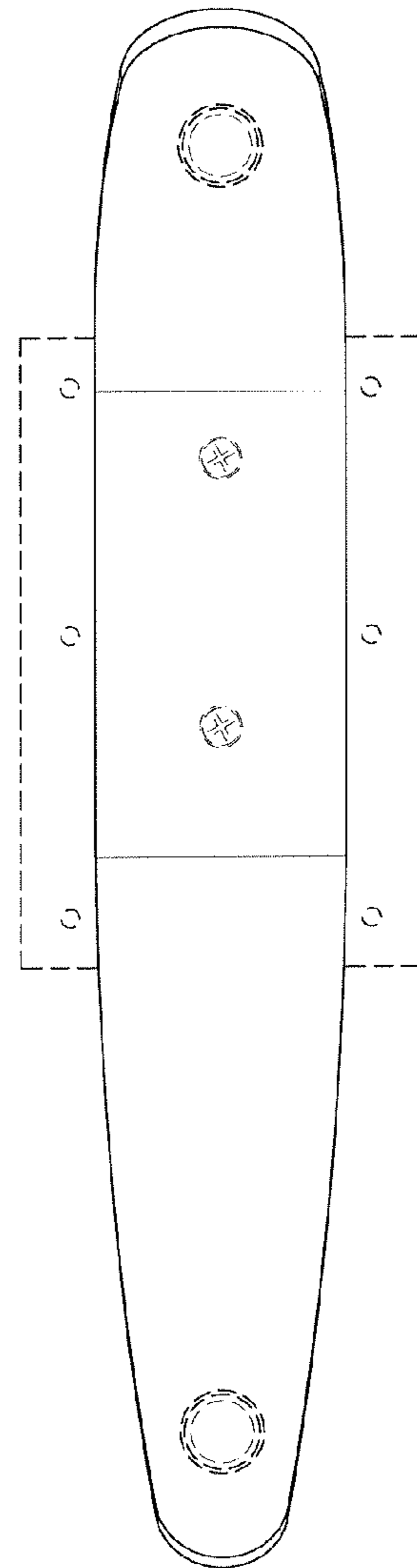


FIG. 7