



US00D605877S

(12) **United States Design Patent**
Peng

(10) **Patent No.:** **US D605,877 S**

(45) **Date of Patent:** **** Dec. 15, 2009**

(54) **ALUMINUM PEDESTAL TOP**

D424,844 S * 5/2000 Gutgsell D6/498
D447,365 S * 9/2001 Chi D6/495

(76) **Inventor:** **I-Sin Peng**, No. 410, Sec. 2, Henan Rd.,
Situn District, Taichung City 407 (TW)

* cited by examiner

(**) **Term:** **14 Years**

Primary Examiner—Joel Sincavage

Assistant Examiner—Abraham Bahta

(21) **Appl. No.:** **29/323,663**

(74) *Attorney, Agent, or Firm*—Jackson IPG PLLC

(22) **Filed:** **Aug. 28, 2008**

(57) **CLAIM**

(51) **LOC (9) Cl.** **06-01**

I claim the ornamental design for an aluminum pedestal top,
as shown and described.

(52) **U.S. Cl.** **D6/495**

(58) **Field of Classification Search** D6/495,
D6/449, 364–365, 458, 496, 480–489, 498,
D6/499; D14/211, 214; D26/93, 138, 142;
248/188, 188.1, 188.7, 188.8, 346.01; 108/150,
108/153.1, 158, 155, 156, 157.1; 297/455,
297/447, 461

See application file for complete search history.

DESCRIPTION

(56) **References Cited**

U.S. PATENT DOCUMENTS

- D152,851 S * 3/1949 Barecki D6/495
- D200,852 S * 4/1965 Henrikson D6/495
- D209,197 S * 11/1967 Chamness D6/495
- D221,616 S * 8/1971 Hollander D6/495
- D260,215 S * 8/1981 O'Neil D6/495
- D311,104 S * 10/1990 Smith et al. D6/495
- D329,768 S * 9/1992 Intardonato D6/495
- D358,350 S * 5/1995 Bedrosian D10/104
- D360,325 S * 7/1995 Gutgsell D6/495
- D400,735 S * 11/1998 House et al. D6/466

FIG. 1 is a rear elevation view thereof;

FIG. 2 is a front elevation view thereof;

FIG. 3 is a left side view thereof;

FIG. 4 is a right side view thereof;

FIG. 5 is a top plan view thereof;

FIG. 6 is a bottom plan view thereof;

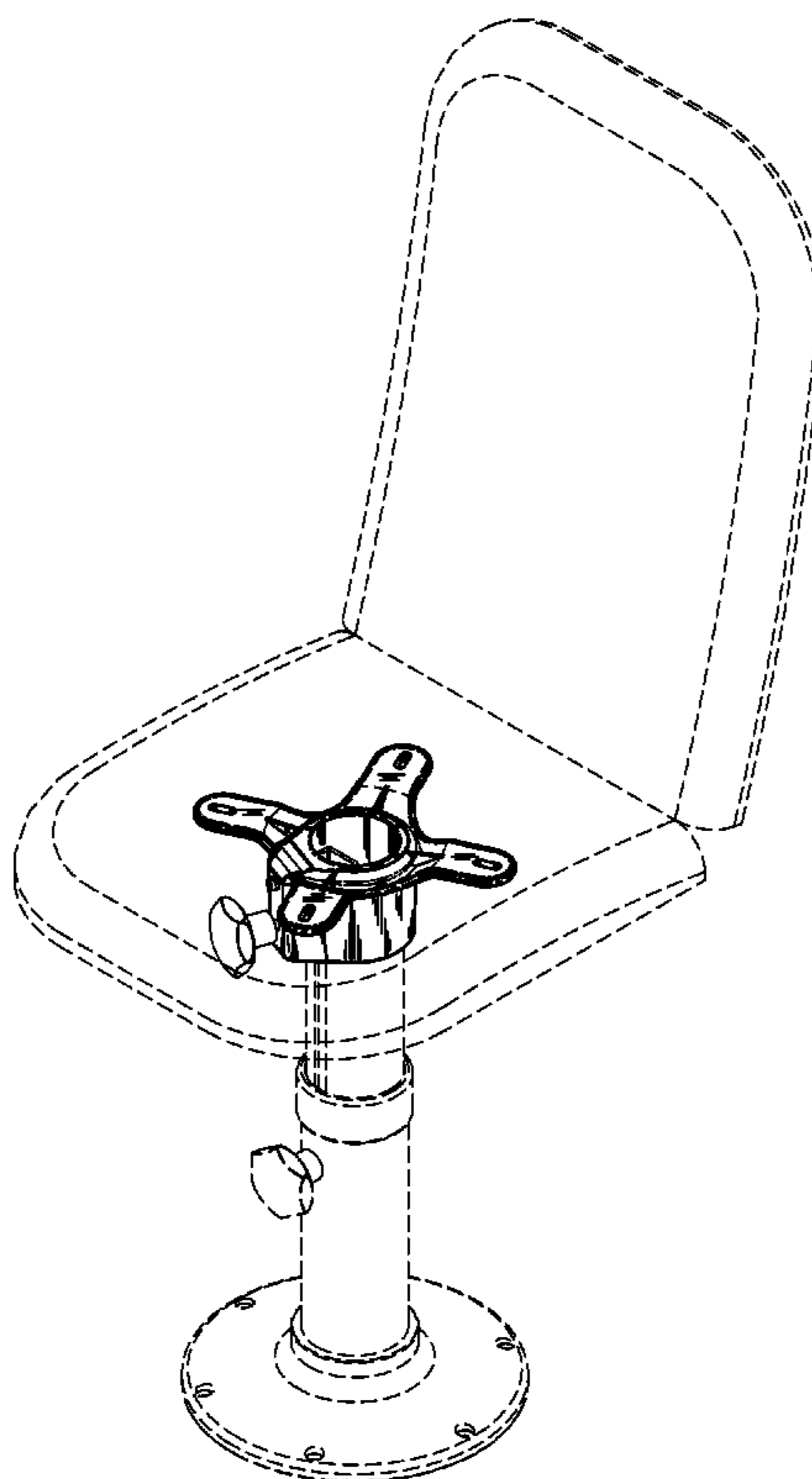
FIG. 7 is a perspective view of an aluminum pedestal top
showing my new design;

FIG. 8 shows the present invention in condition of use; and,

FIG. 9 shows the present invention in another condition of
use.

The broken line showing of environmental structure is for
illustrative purposes only and forms no part of the claimed
design.

1 Claim, 7 Drawing Sheets



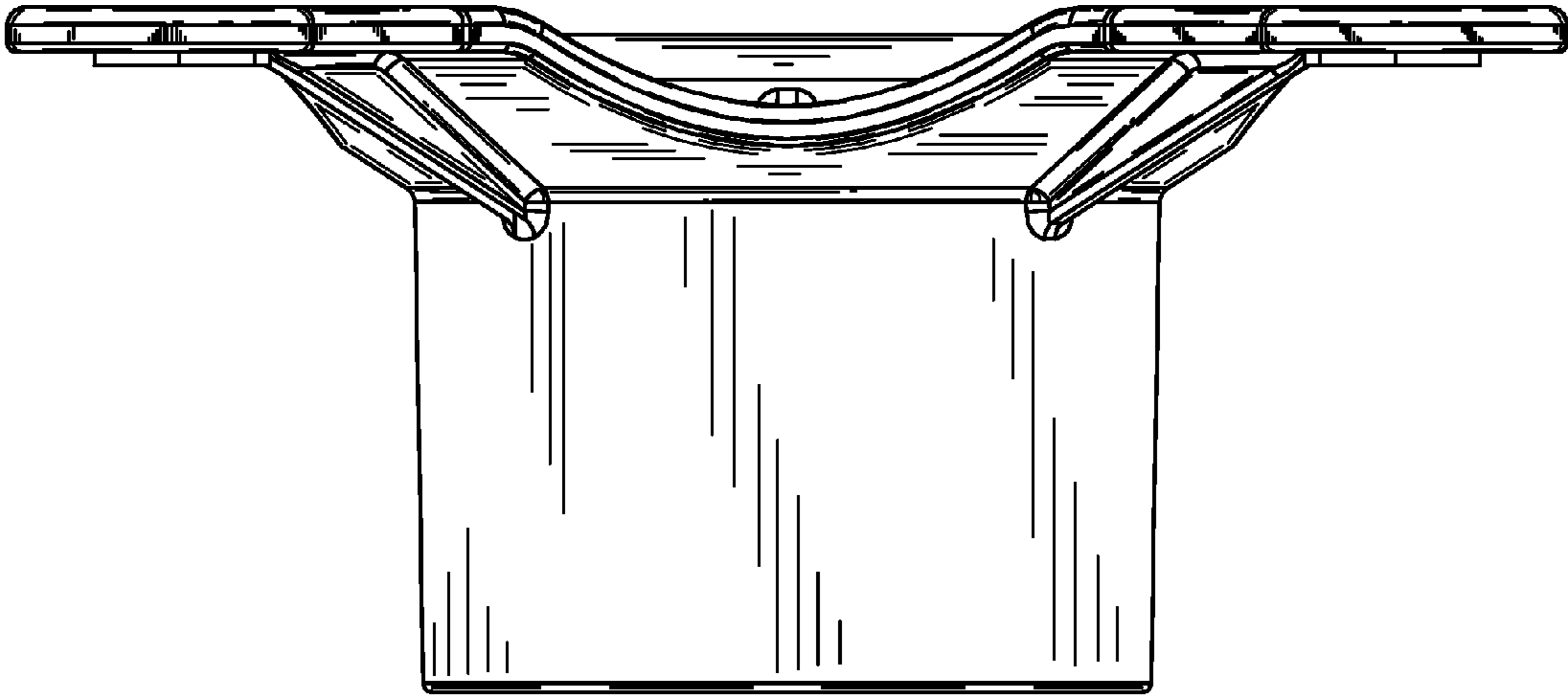


Fig. 1

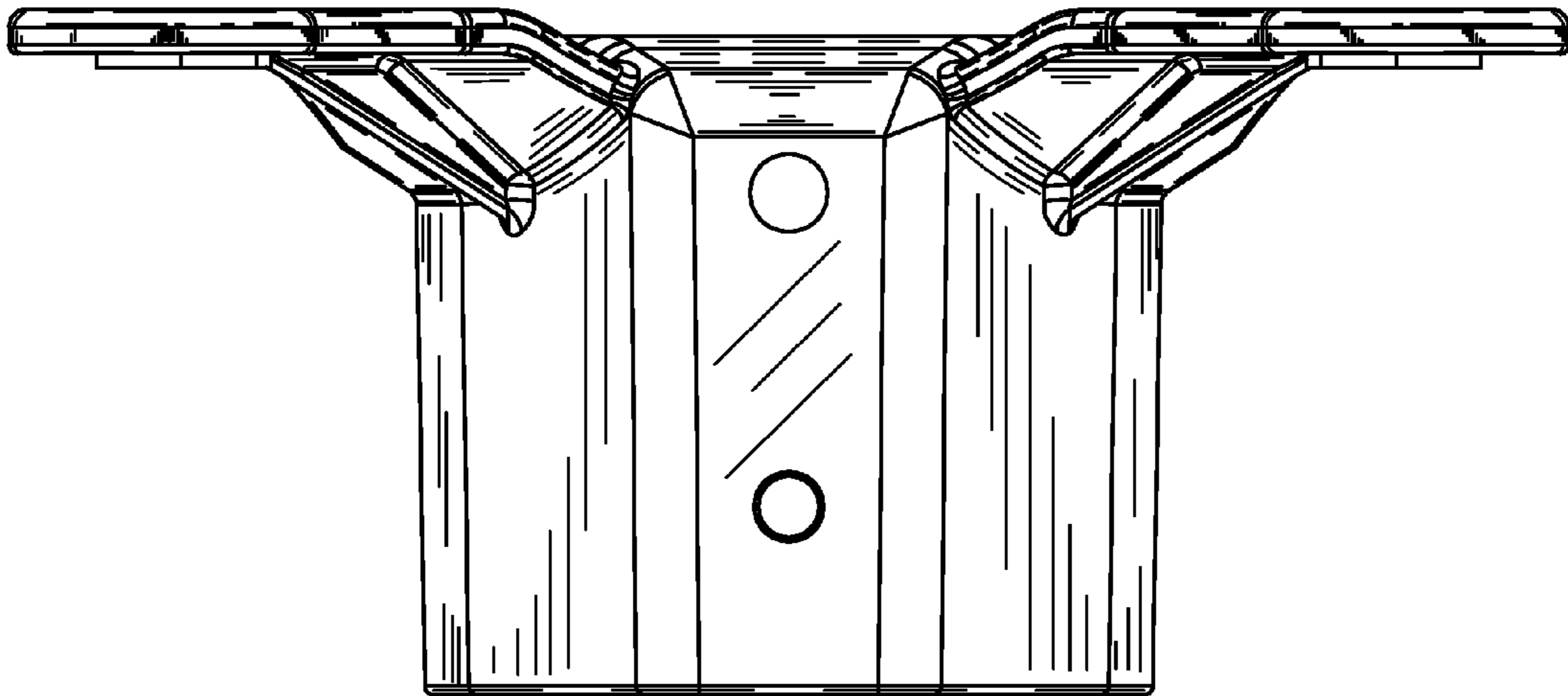


Fig. 2

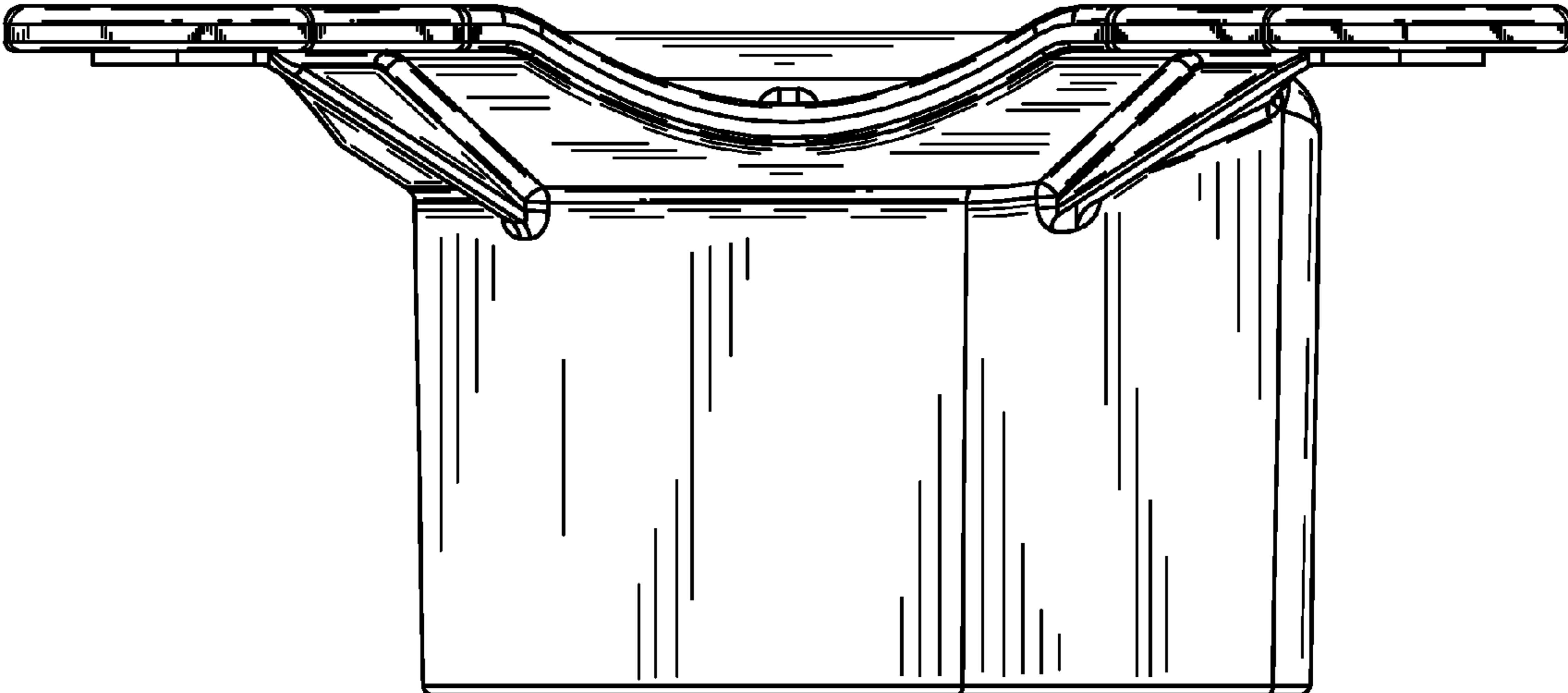


Fig. 3

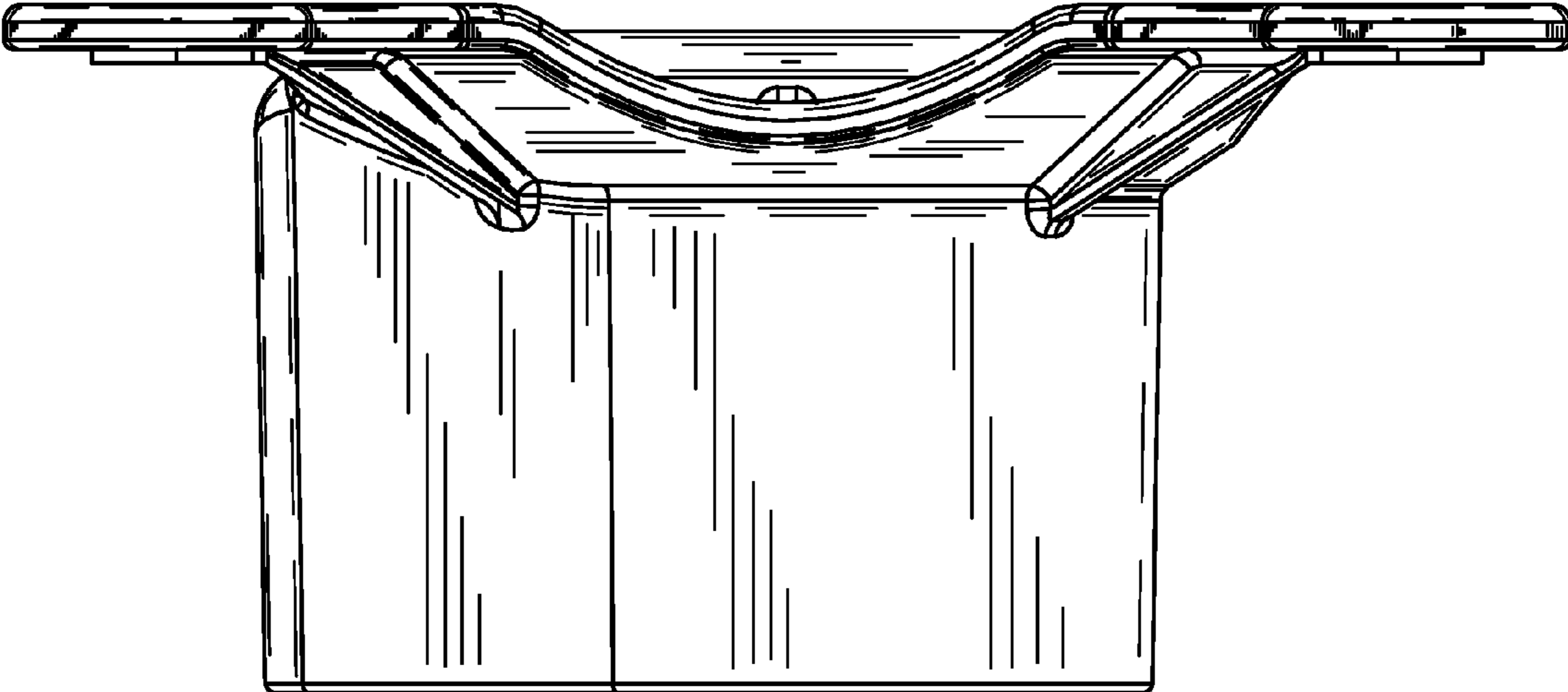


Fig. 4

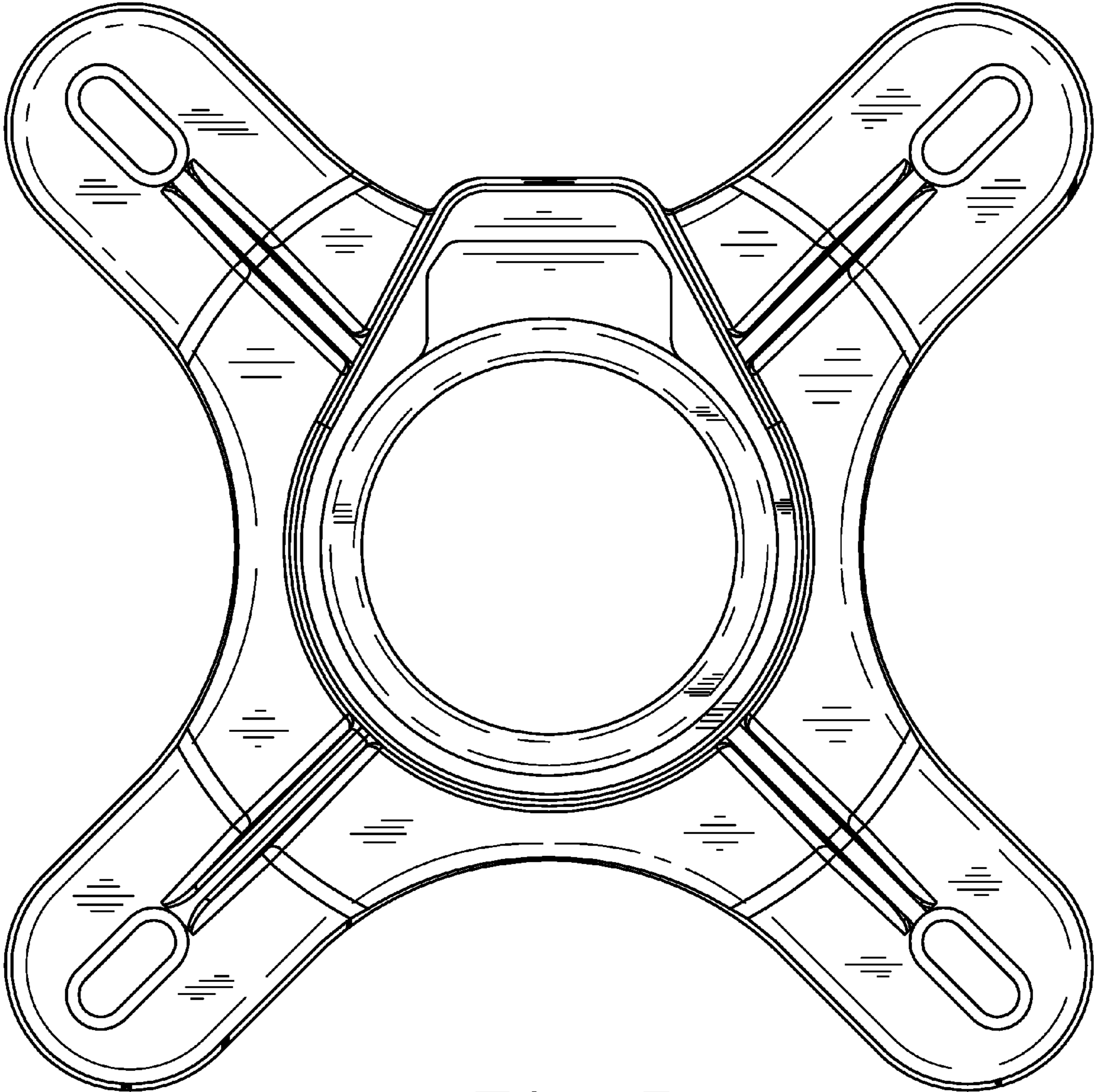


Fig. 5

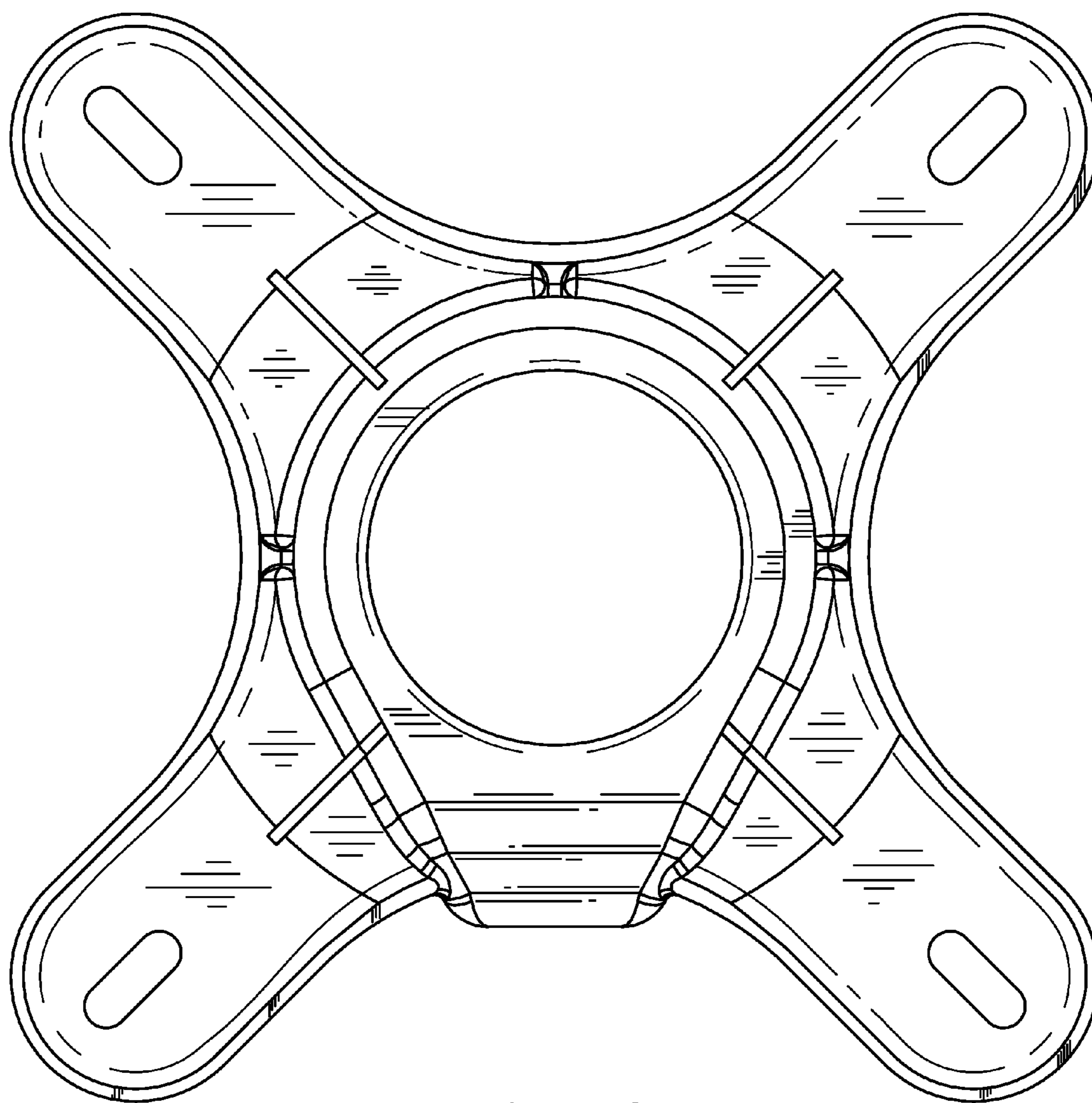


Fig. 6

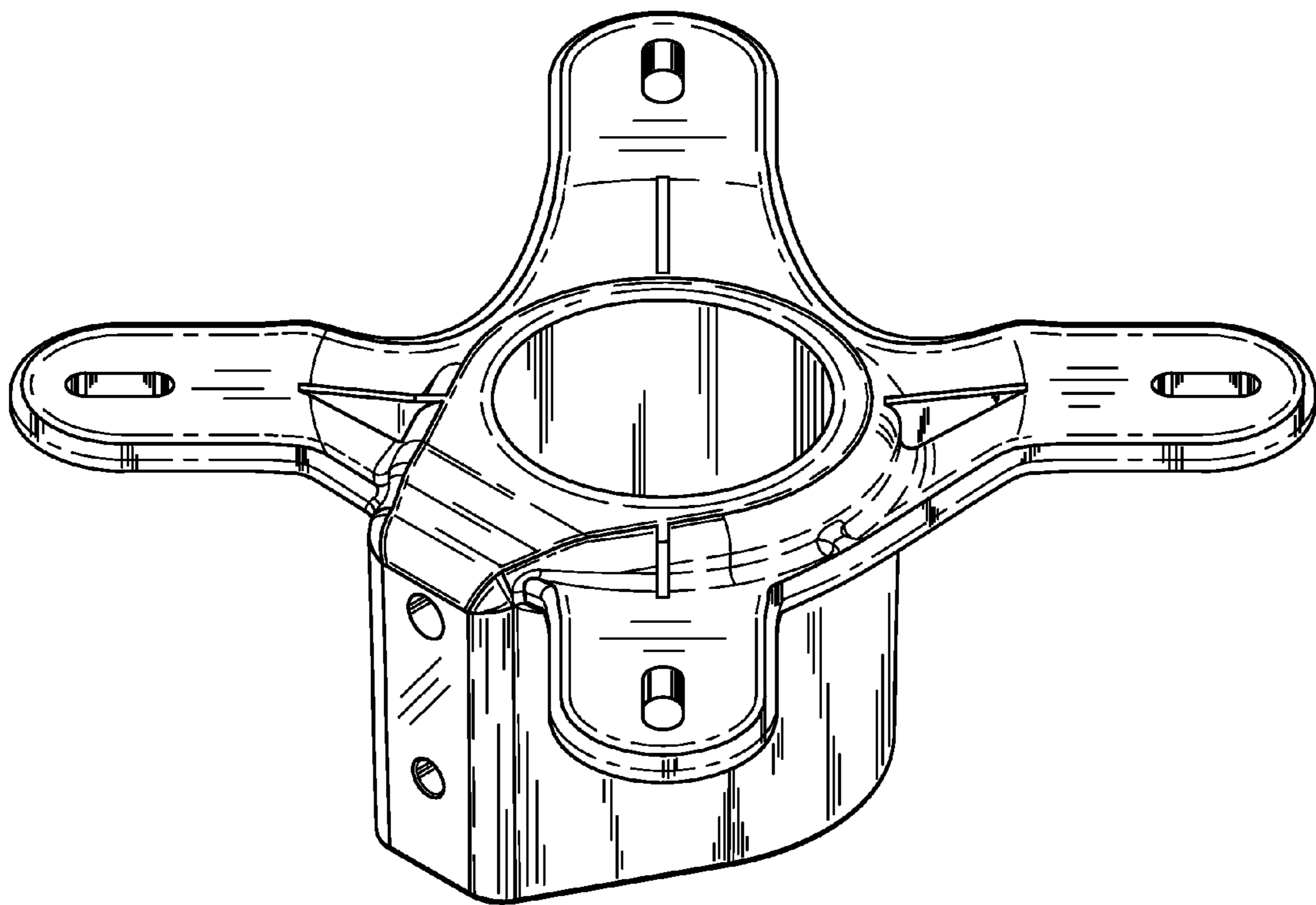


Fig. 7

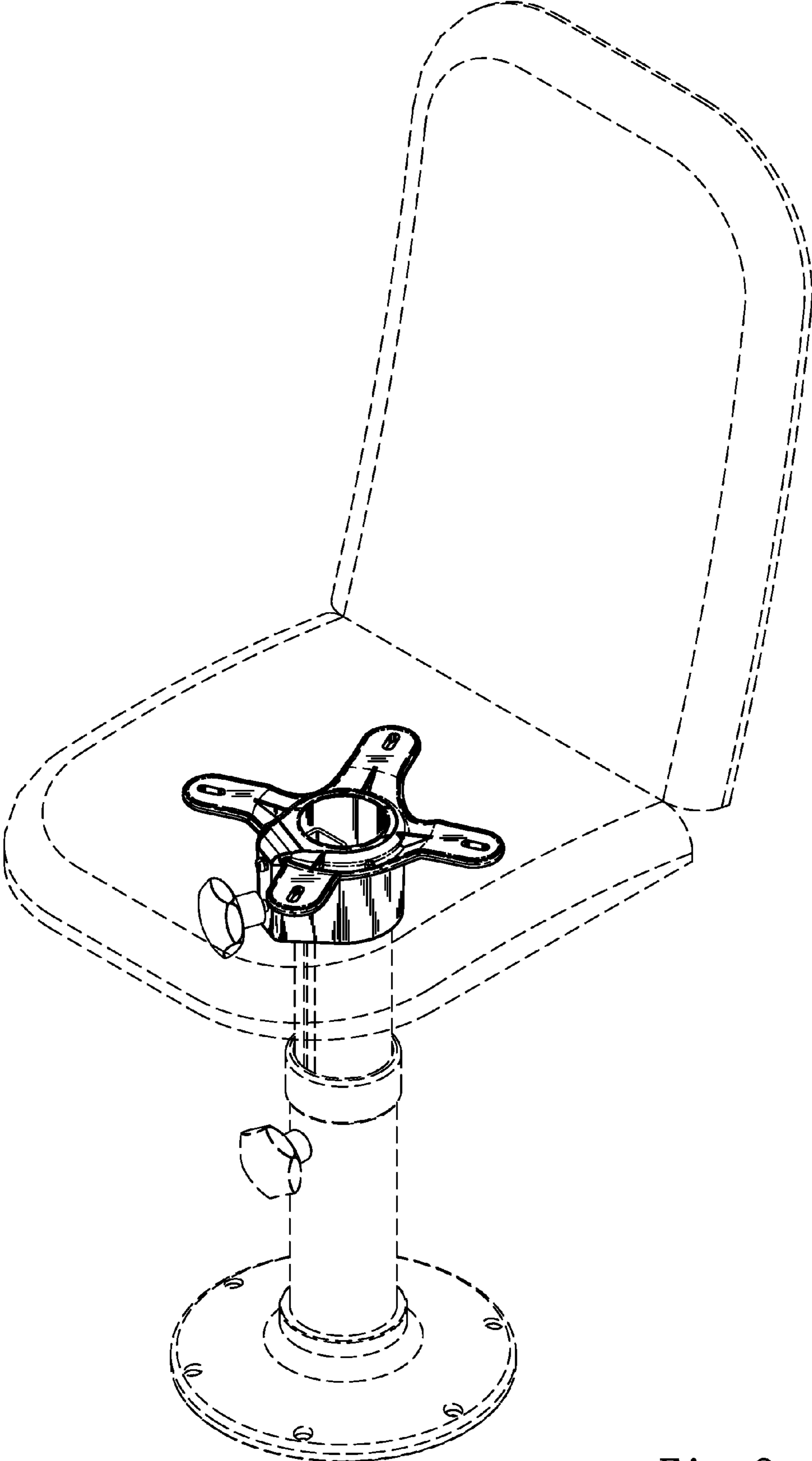


Fig. 8

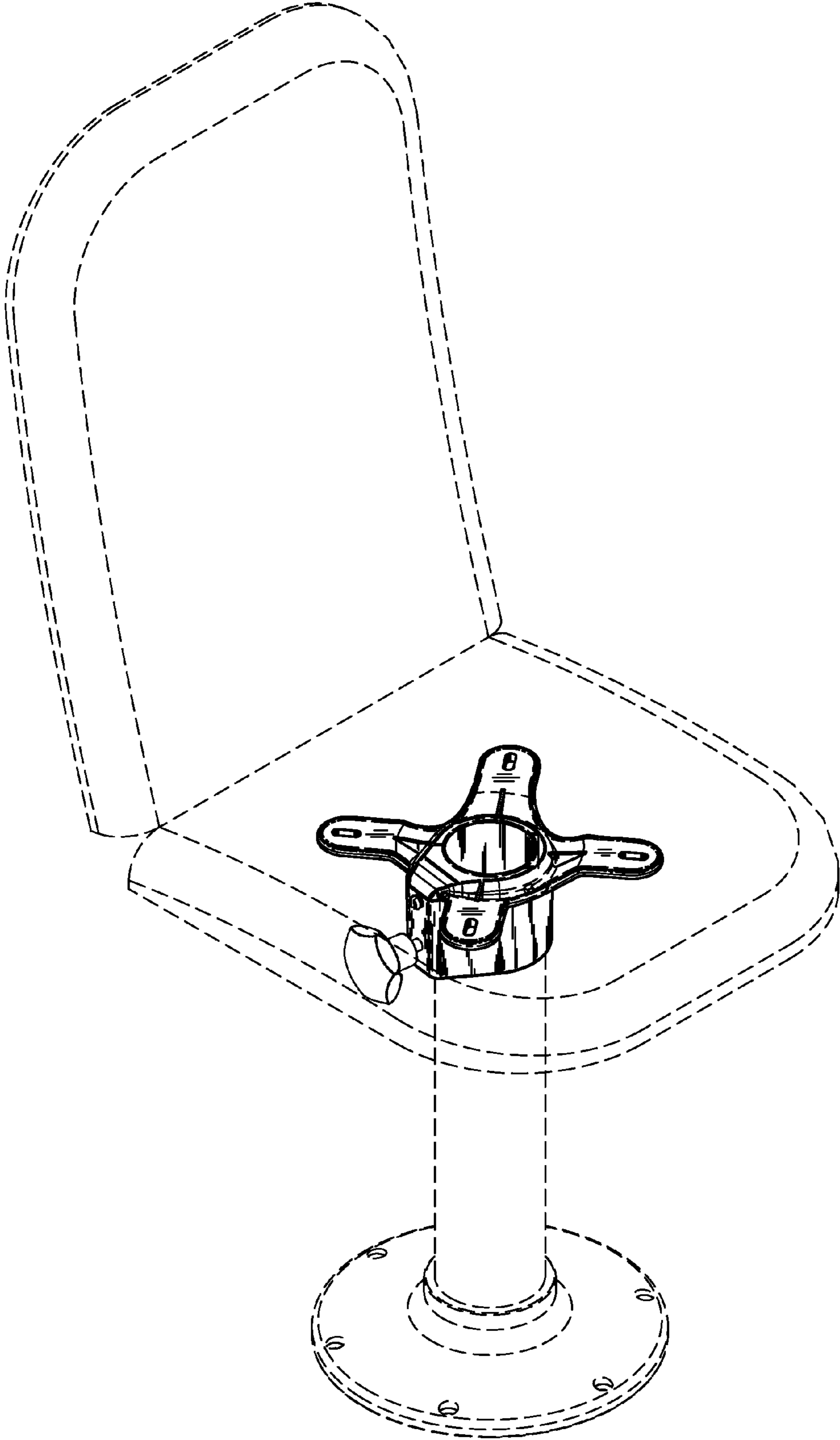


Fig. 9