

US00D605875S

(12) **United States Design Patent**
Buzzard et al.

(10) **Patent No.:** **US D605,875 S**

(45) **Date of Patent:** **** Dec. 15, 2009**

(54) **FLEXIBLE COMPACT DISPLAY STAND**

(76) Inventors: **Michael Haase Buzzard**, 163 Lyon St.,
San Francisco, CA (US) 94117;
Brandon Seth Levey, 1914 McAllister
St., San Francisco, CA (US) 94115

(**) Term: **14 Years**

(21) Appl. No.: **29/335,149**

(22) Filed: **Apr. 9, 2009**

(51) **LOC (9) Cl.** **06-04**

(52) **U.S. Cl.** **D6/466; D6/310**

(58) **Field of Classification Search** D6/466,
D6/419, 300, 308-314, 449, 456, 457; 40/400,
40/711, 700; 248/441.1, 445, 450, 460, 463,
248/465, 465.1; D17/99, 20

See application file for complete search history.

(56) **References Cited**

U.S. PATENT DOCUMENTS

591,089	A	10/1897	Berbecker	
777,658	A	12/1904	Bird	
1,399,507	A	12/1921	Mills	
1,480,681	A	1/1924	Goes	
1,666,400	A	4/1928	Rose	
2,862,322	A *	12/1958	Ziegler	40/738
D227,326	S	6/1973	Venuta	
D249,953	S	10/1978	Drake	
D256,203	S	8/1980	Brothers	
D291,628	S *	9/1987	Poltere	D6/310
D324,735	S *	3/1992	Collister et al.	D24/222
D334,479	S	4/1993	Glick	
5,388,798	A	2/1995	Glick	
5,619,816	A *	4/1997	Ellison	40/738
D394,160	S	5/1998	Yarbrough	
5,868,373	A	2/1999	Duff	
D407,440	S *	3/1999	Vanlandingham, Jr.	D19/88
6,003,901	A	12/1999	Takemura	
6,282,828	B1	9/2001	Cecchetto	
D450,192	S *	11/2001	Whitcomb	D6/310

D470,149	S	2/2003	West	
D482,904	S *	12/2003	Slaymaker	D6/466
D595,966	S *	7/2009	Larsen	D6/310

* cited by examiner

Primary Examiner—Caron Veynar
Assistant Examiner—Sydney R Buffalow
(74) *Attorney, Agent, or Firm*—Arent Fox LLP

(57) **CLAIM**

The ornamental design for a flexible compact display stand, as shown and described.

DESCRIPTION

FIG. 1 is a front view showing our new design in a flat position, the rear view being identical thereto;

FIG. 2 is a front perspective view of the design shown in FIG. 1 in a curved position for receiving a display item;

FIG. 3 is a rear left side perspective view of the design shown in FIG. 1 in a curved position for receiving a display item;

FIG. 4 is a right side perspective view of the design shown in FIG. 1 in a curved position for receiving a display item;

FIG. 5 is a left side perspective view of the design shown in FIG. 1 in a curved position for receiving a display item;

FIG. 6 is a top perspective view of the design shown in FIG. 1 in a curved position for receiving a display item;

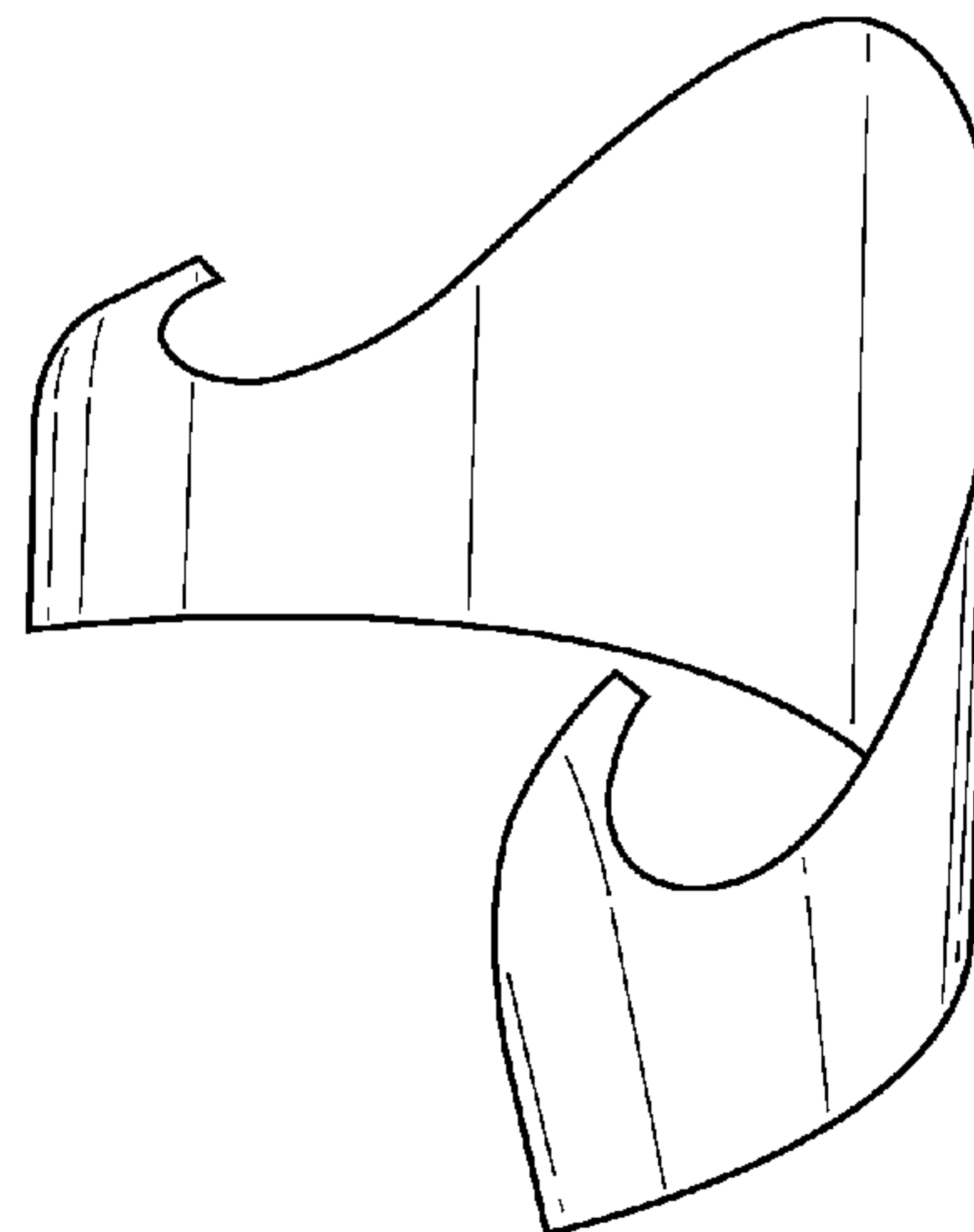
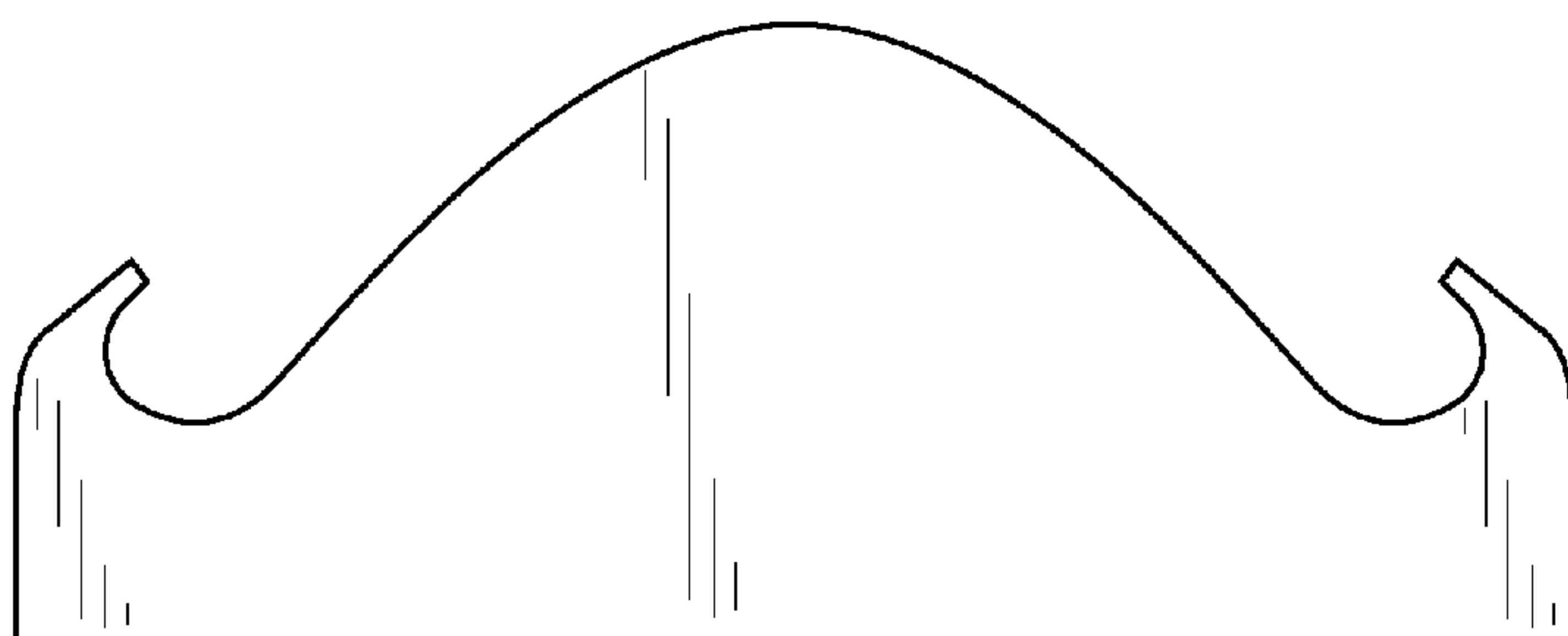
FIG. 7 is a bottom perspective view of the design shown in FIG. 1 in a curved position for receiving a display item;

FIG. 8 is a right side environmental perspective view of the design shown in FIG. 1 with a mounted display item; and,

FIG. 9 is a rear left side environmental perspective view of the design shown in FIG. 1 with a mounted display item.

The broken line showing of a mounted display item in FIGS. 8 and 9 is for the purpose of illustrating an environmental structure and forms no part of the claimed design.

1 Claim, 5 Drawing Sheets



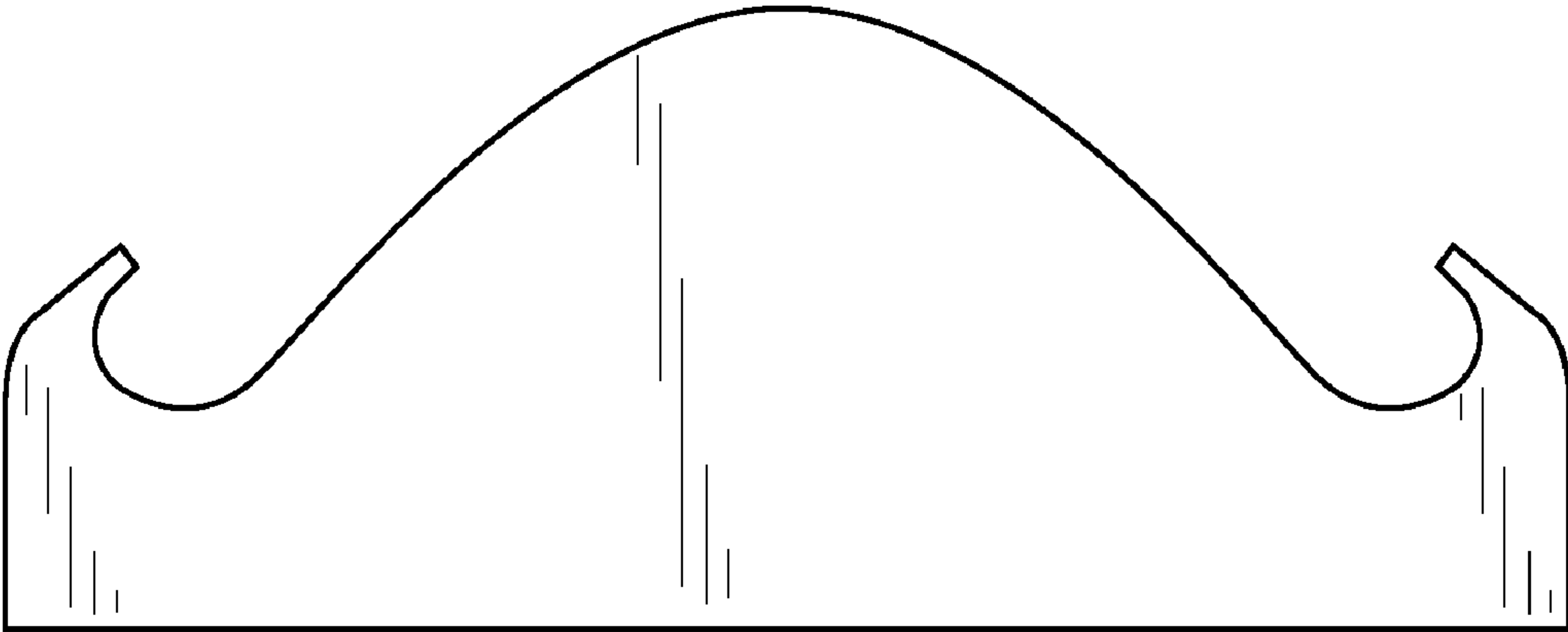


FIG. 1

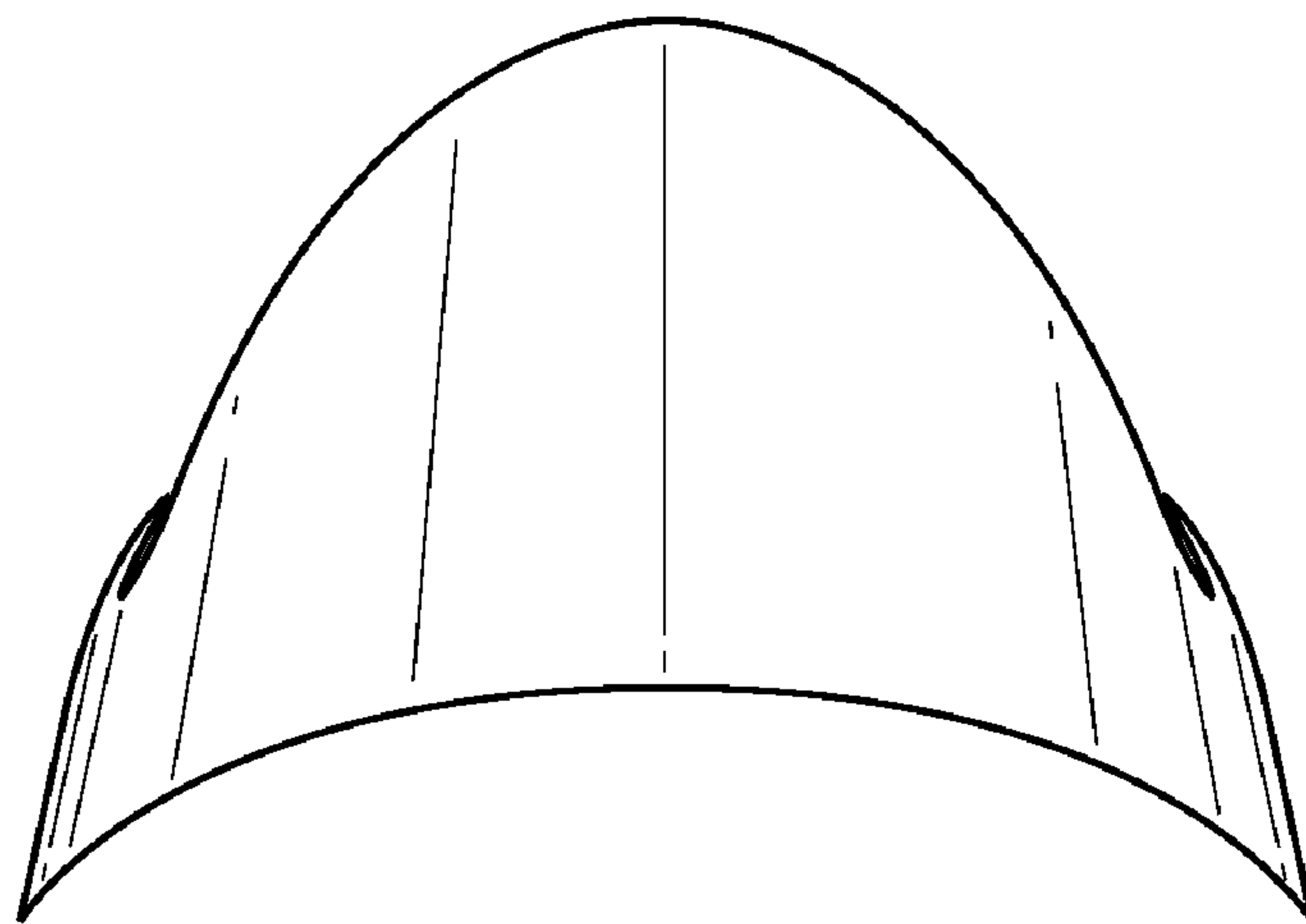


FIG. 2

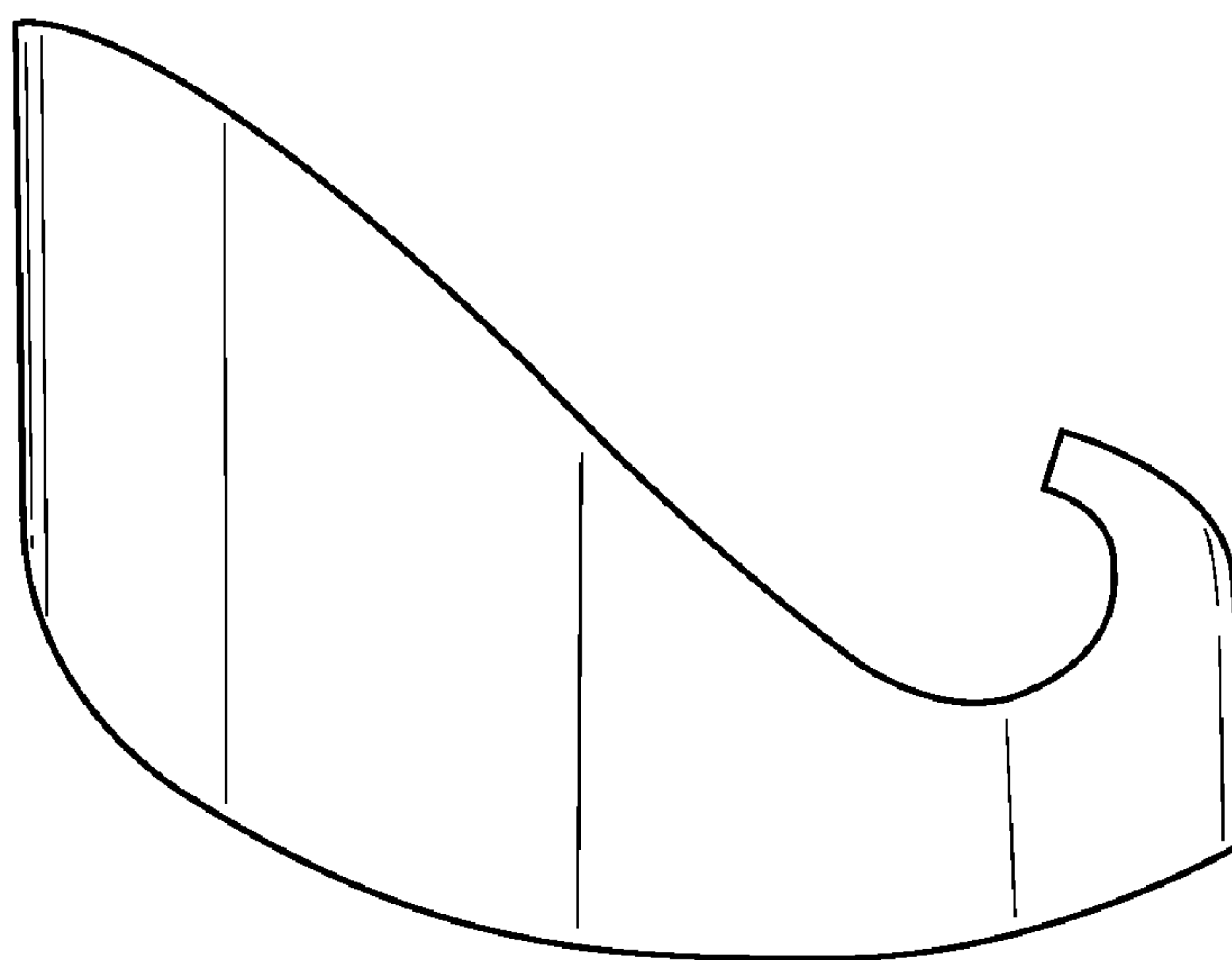


FIG. 3

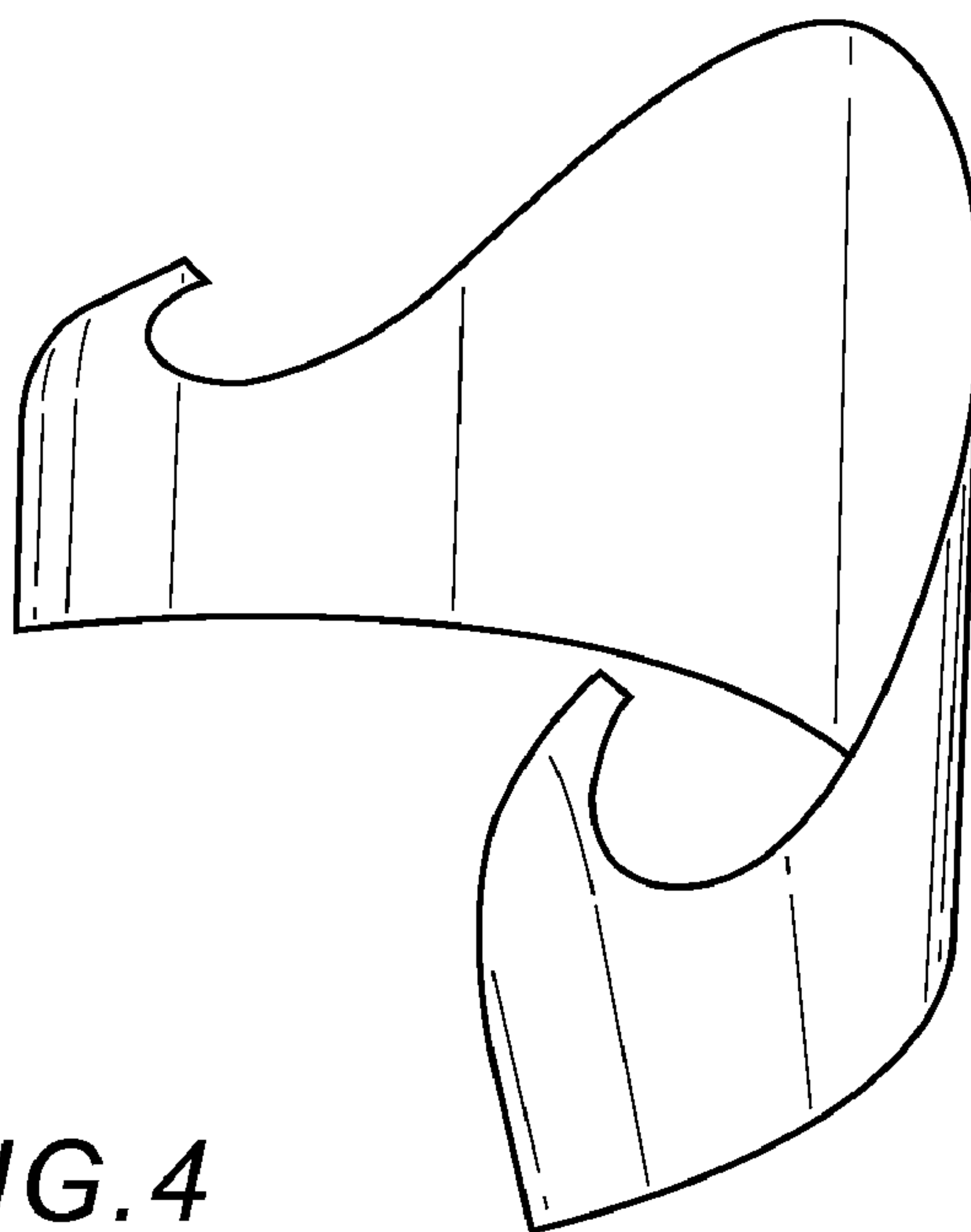


FIG. 4

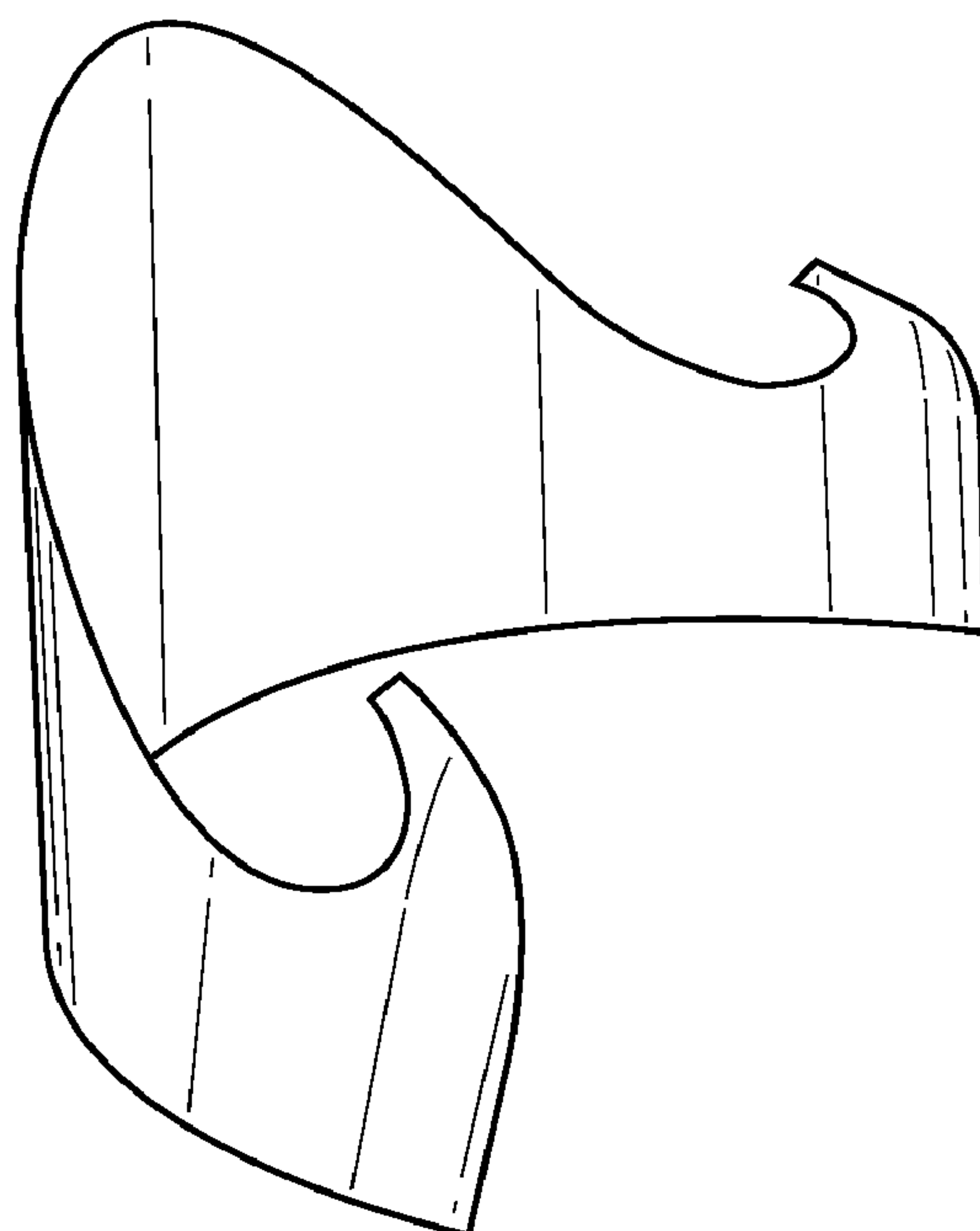


FIG. 5

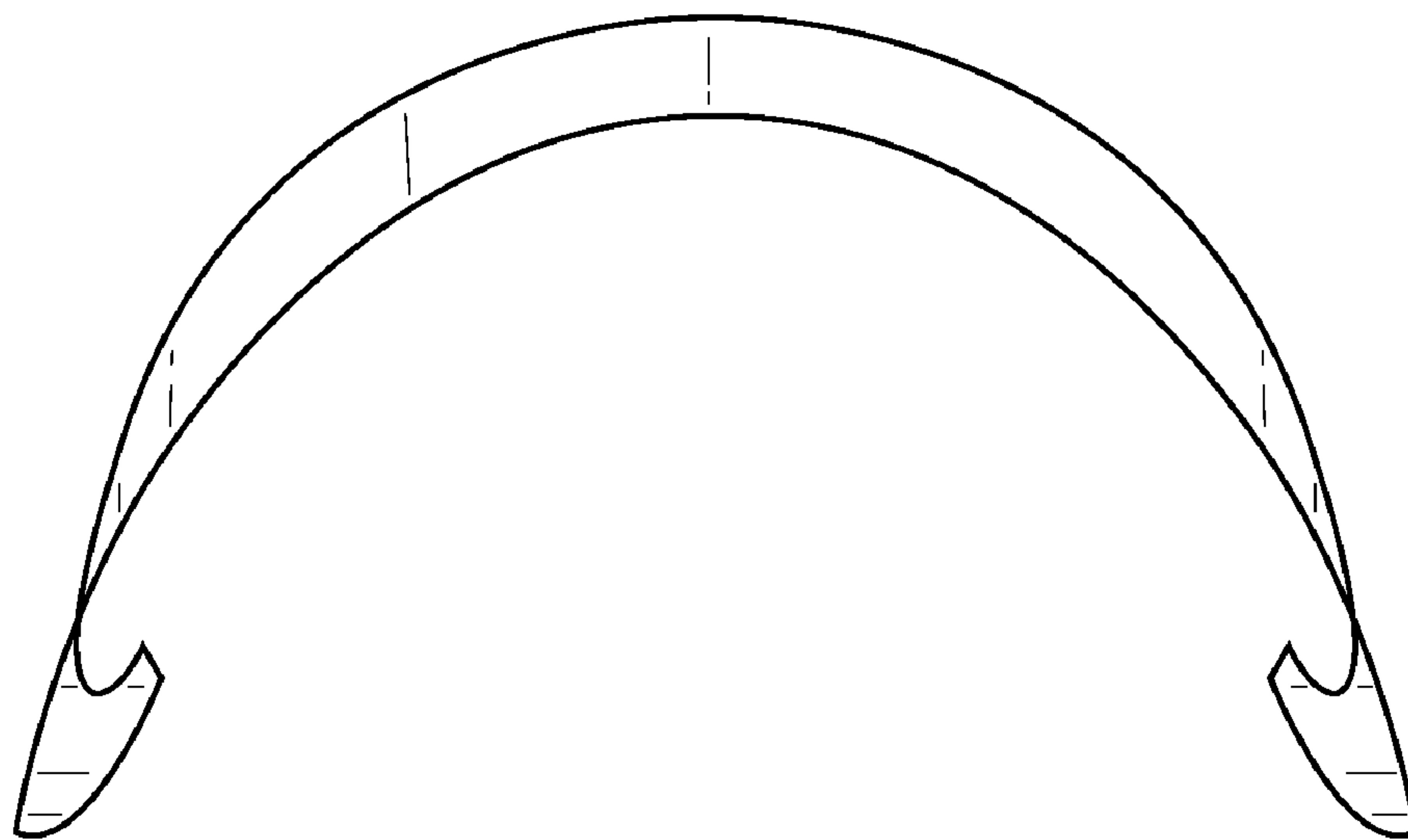


FIG. 6

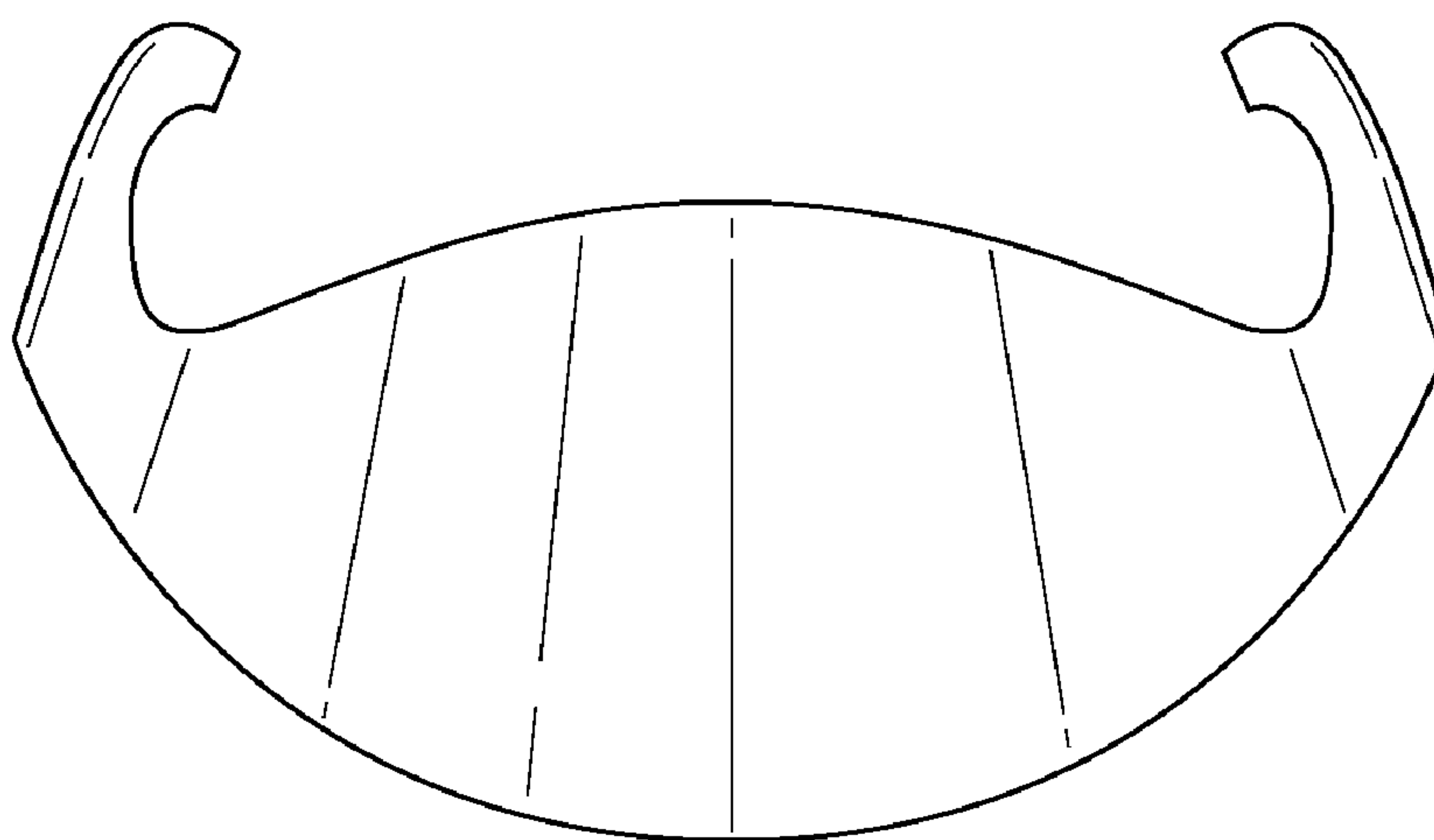


FIG. 7

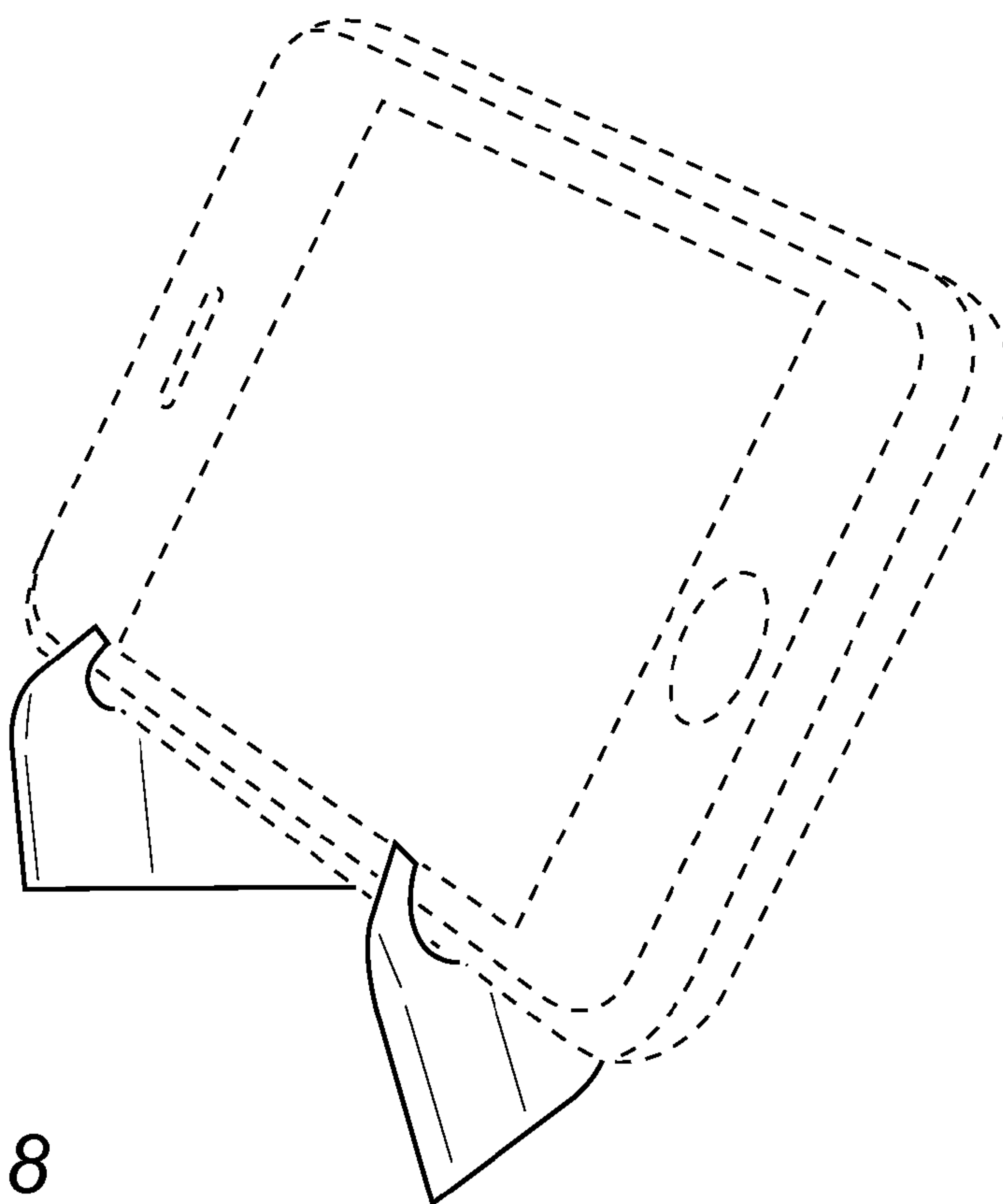


FIG. 8

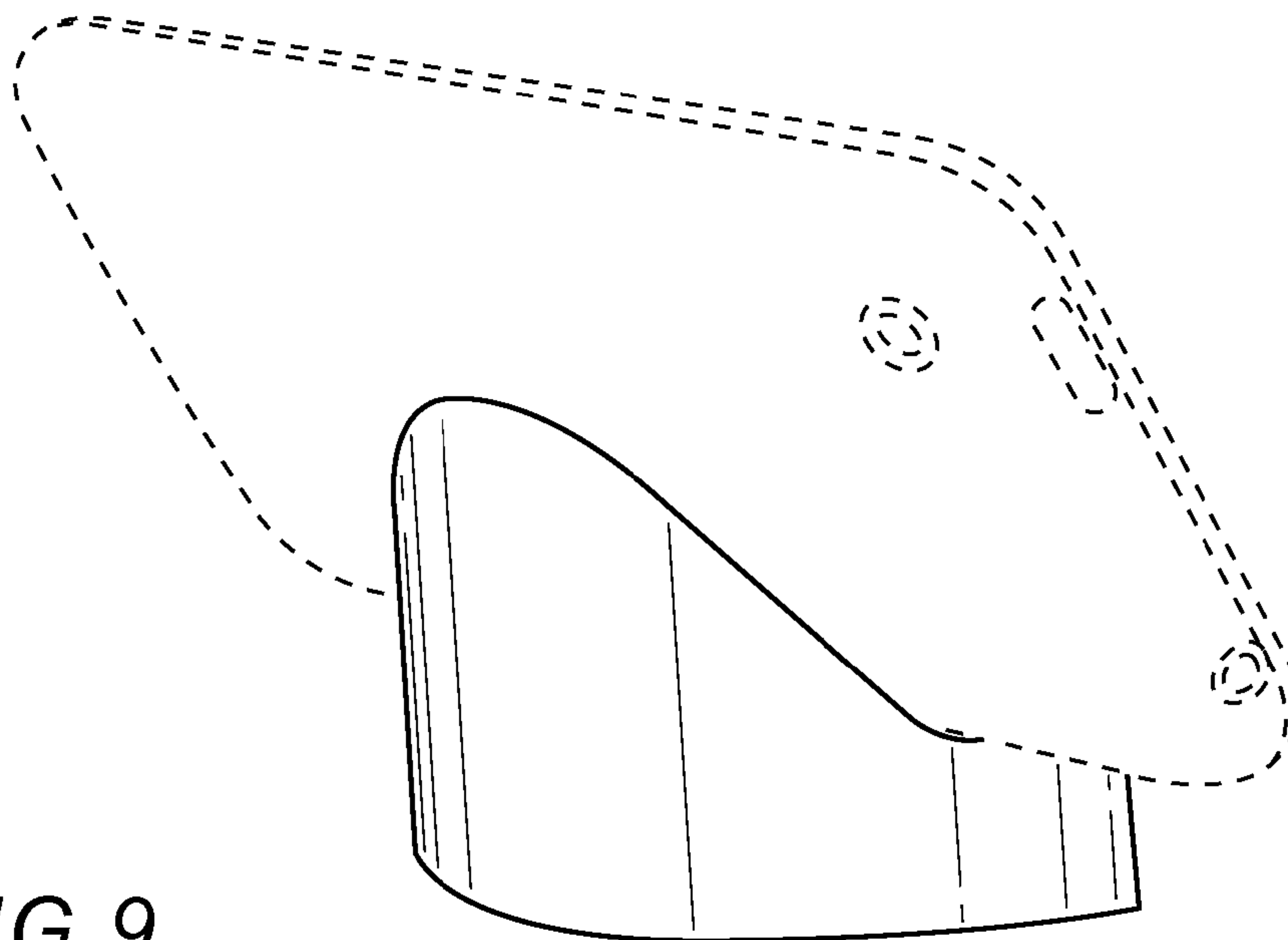


FIG. 9