



US00D605871S

(12) **United States Design Patent**  
**Canley**

(10) **Patent No.:** **US D605,871 S**

(45) **Date of Patent:** **\*\* Dec. 15, 2009**

(54) **ADJUSTABLE FLOWER BED FRAME**

(76) **Inventor:** **Raymond Canley**, 207 N. Mississippi St., Crossett, AR (US) 71635-2748

(\*\*) **Term:** **14 Years**

(21) **Appl. No.:** **29/288,017**

(22) **Filed:** **May 25, 2007**

(51) **LOC (9) Cl.** ..... **11-02**

(52) **U.S. Cl.** ..... **D6/403**

(58) **Field of Classification Search** ..... D6/403-405; D11/143-149; D99/19; 47/32.7, 33, 41.01, 47/41.1, 41.11, 44-47, 65, 65.5, 66.2, 66.7, 47/67-69, 83, 84; 248/27.8, 127, 146, 163.1, 248/175, 188.7, 431

See application file for complete search history.

(56) **References Cited**

**U.S. PATENT DOCUMENTS**

1,542,164	A *	6/1925	Swan	.....	248/97
D216,437	S *	1/1970	Vosbikian	.....	D34/6
D259,775	S *	7/1981	Johnson	.....	D11/148
5,016,844	A *	5/1991	Garvin	.....	248/97
D326,172	S *	5/1992	Biesele et al.	.....	D34/5
D376,657	S	12/1996	Bohn		
D389,632	S *	1/1998	Reddin	.....	D34/6
D425,213	S	5/2000	Ogawa et al.		
D428,544	S *	7/2000	Moffitt et al.	.....	D34/5

D505,030	S *	5/2005	Heath et al.	.....	D6/403
D565,321	S *	4/2008	Voogt	.....	D6/403
D568,061	S *	5/2008	Kurtz	.....	D6/405
7,373,753	B1 *	5/2008	Caruso	.....	47/39
D581,182	S *	11/2008	Kurtz	.....	D6/403

\* cited by examiner

*Primary Examiner*—Caron Veynar

*Assistant Examiner*—Garth Rademaker

(74) *Attorney, Agent, or Firm*—Raymond M. Galasso; Galasso & Associates, L.P.

(57) **CLAIM**

The ornamental design for an adjustable flower bed frame, as shown and described.

**DESCRIPTION**

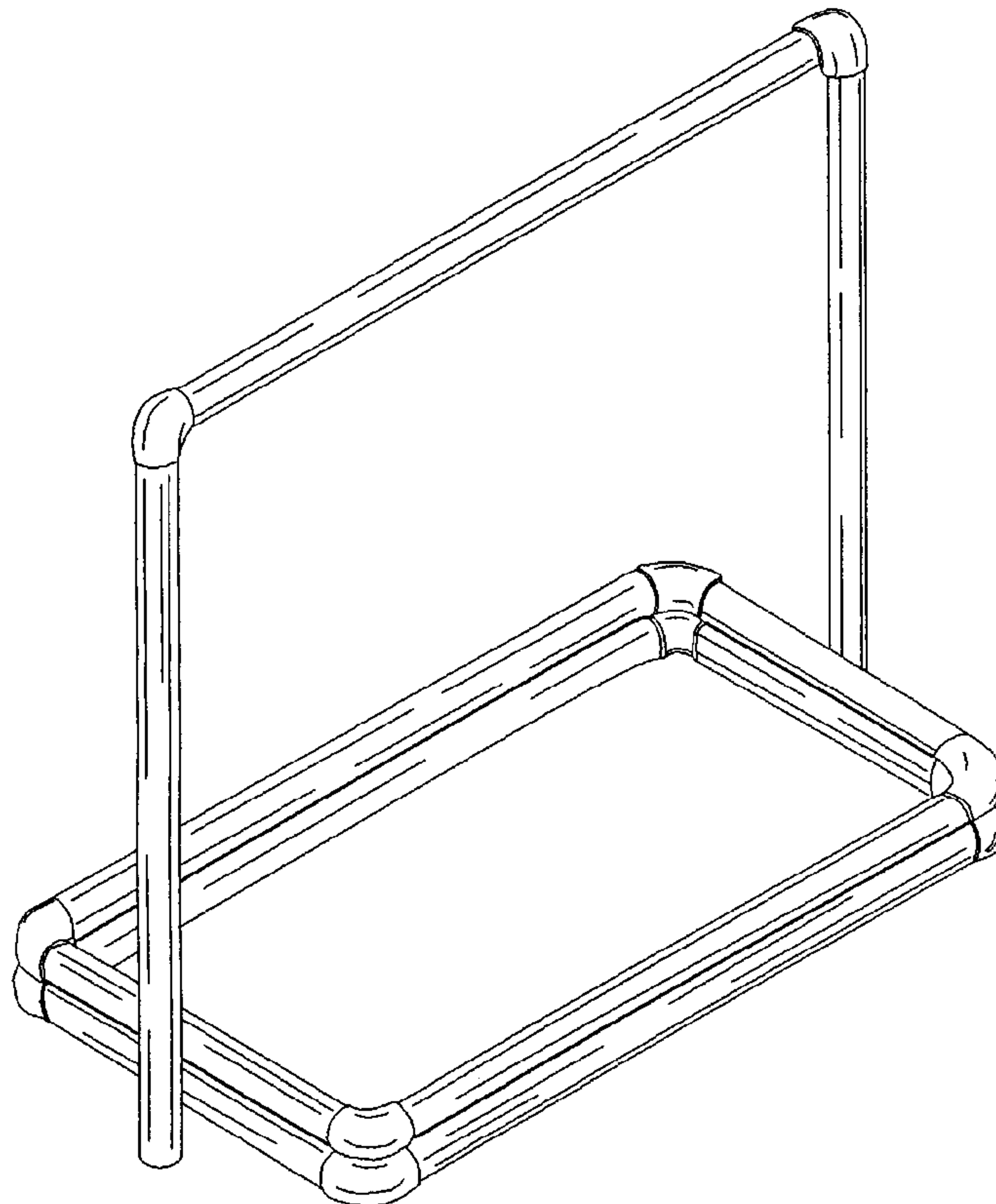
FIG. 1 is a top, left side perspective view of an adjustable flower bed frame, incorporating my new design.

FIG. 2 is a right side elevation view thereof, showing only the portions visible at the right side of FIG. 1, the left side and center, connecting elements being removed for clarity of disclosure and with the broken line areas at the center of each corner forming no portion of the design.

FIG. 3 is a bottom perspective view thereof, with the top element removed for clarity of disclosure; and,

FIG. 4 is a top, right side perspective view thereof.

**1 Claim, 3 Drawing Sheets**



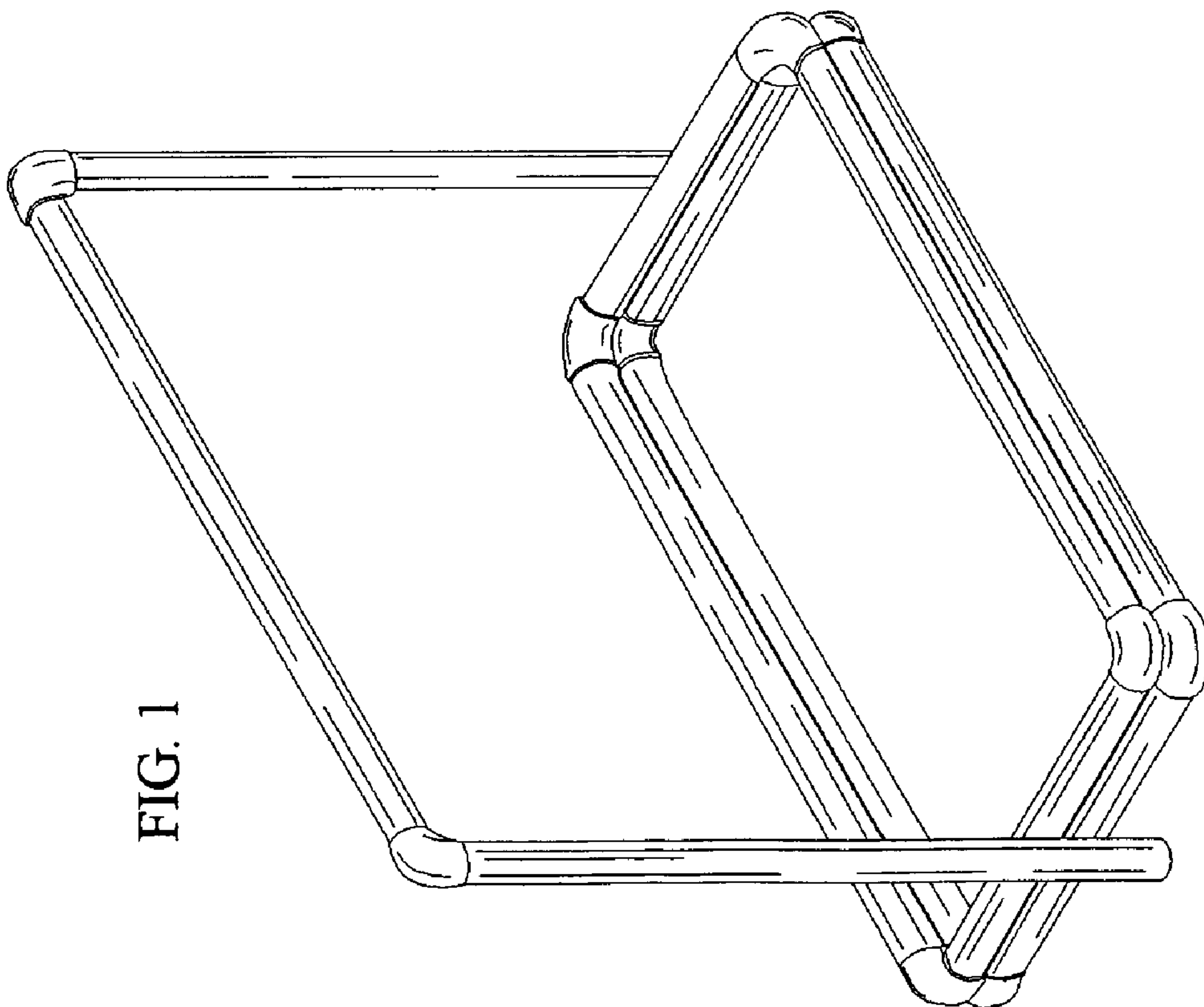


FIG. 1

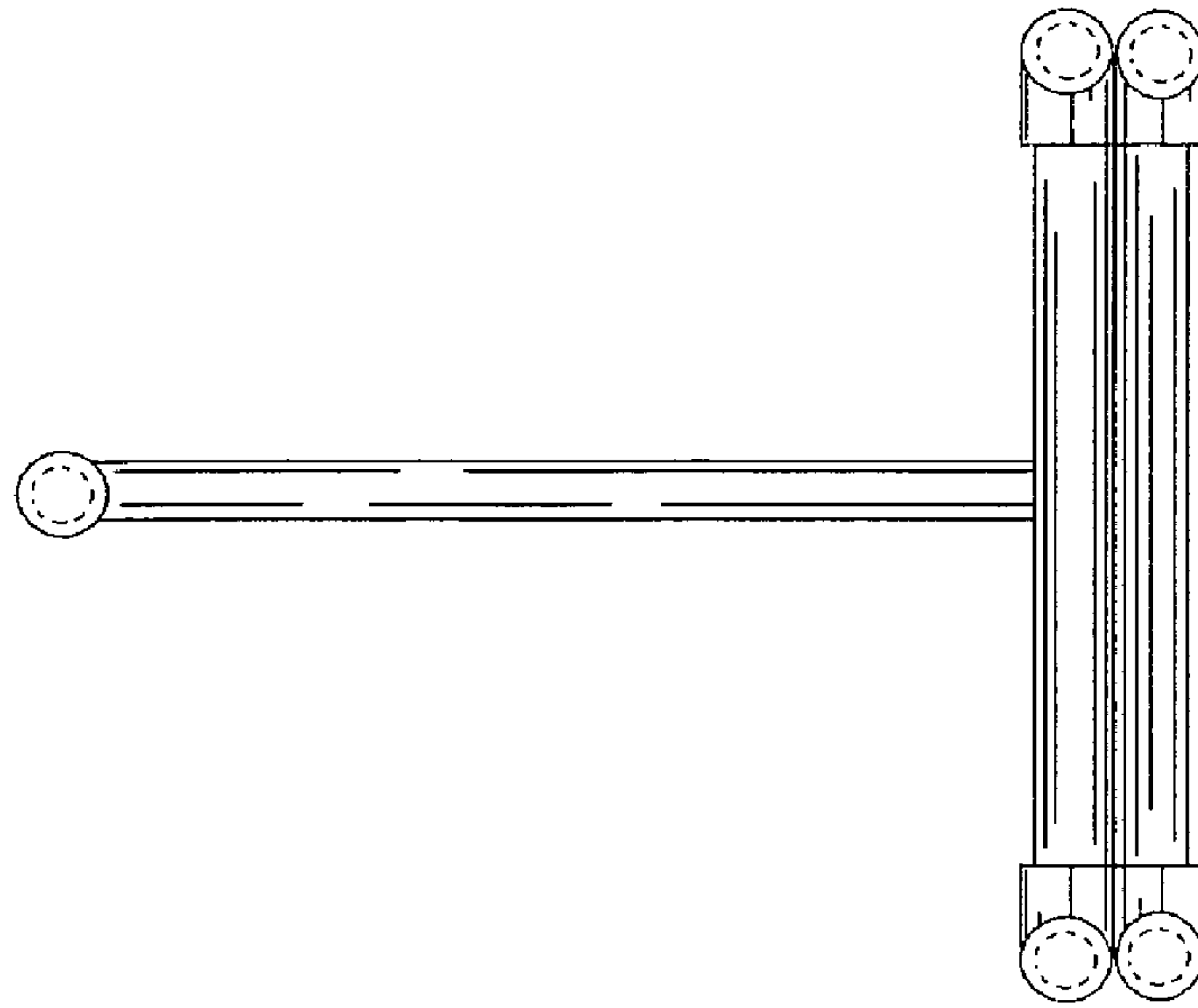


FIG. 2

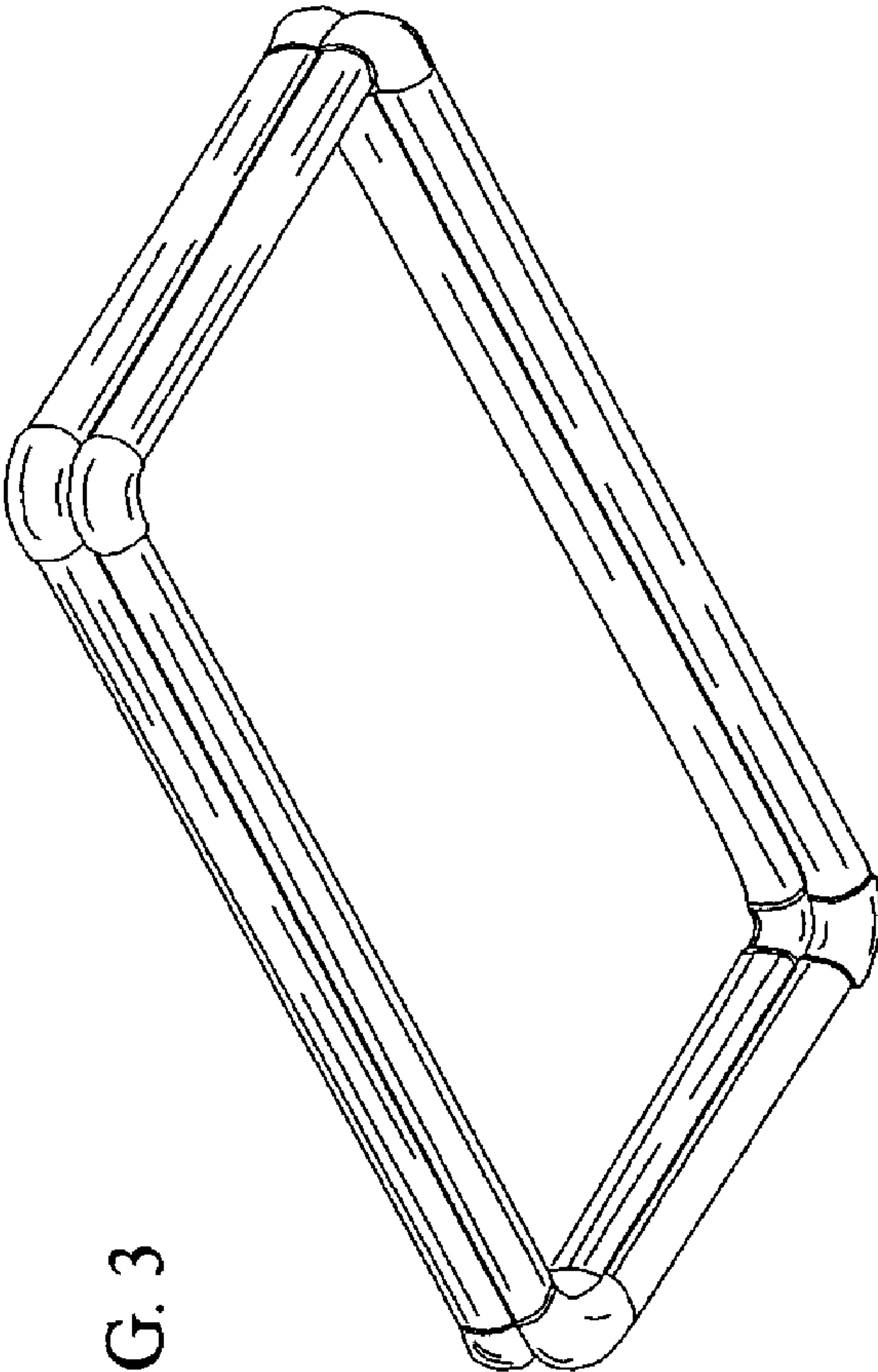


FIG. 3

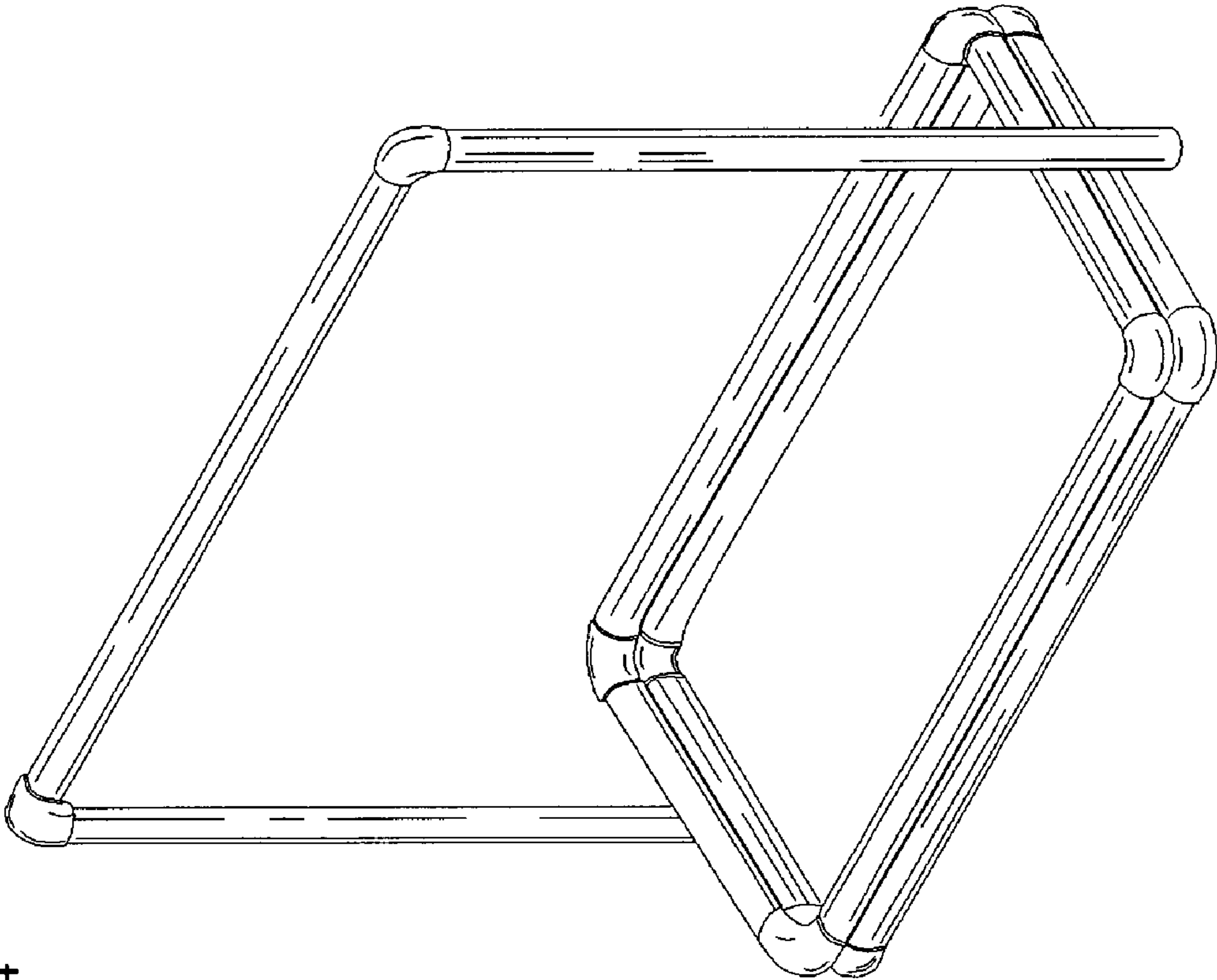


FIG. 4