



US00D605868S

(12) **United States Design Patent**  
**Holbrook**

(10) **Patent No.:** **US D605,868 S**

(45) **Date of Patent:** **\*\* Dec. 15, 2009**

(54) **FRAME FOR MODULAR SEATING**

(75) Inventor: **Richard Holbrook**, Pasadena, CA (US)

(73) Assignee: **Tropitone Furniture Co., Inc.**, Irvine, CA (US)

(\*\*) Term: **14 Years**

(21) Appl. No.: **29/304,443**

(22) Filed: **Feb. 29, 2008**

(51) **LOC (9) Cl.** ..... **06-01**

(52) **U.S. Cl.** ..... **D6/378**

(58) **Field of Classification Search** ..... D6/334–336,  
D6/364, 371–373, 374, 375, 377, 378, 381,  
D6/500–502; 297/232, 233, 451.8

See application file for complete search history.

(56) **References Cited**

**U.S. PATENT DOCUMENTS**

D247,009	S	*	1/1978	Schoblom et al.	.....	D6/378
D259,600	S	*	6/1981	Marks	.....	D6/378
D262,166	S	*	12/1981	Aronowitz et al.	.....	D6/378
D262,421	S	*	12/1981	Aronowitz et al.	.....	D6/364
D267,756	S	*	2/1983	Krabeepetcharat	.....	D6/364
D268,970	S	*	5/1983	Mascheroni	.....	D6/378
D311,283	S	*	10/1990	Warren	.....	D6/378
D544,233	S	*	6/2007	Hutton	.....	D6/378
D577,925	S	*	10/2008	Gomez	.....	D6/378
2008/0252130	A1	*	10/2008	Wieland et al.	.....	297/451.8

\* cited by examiner

*Primary Examiner*—Mimosa De

(74) *Attorney, Agent, or Firm*—Knobbe, Martens, Olson & Bear LLP

(57) **CLAIM**

The ornamental design for a frame for modular seating, as shown and described.

**DESCRIPTION**

FIG. 1 is a perspective view of a frame for modular seating embodying the new design;

FIG. 2 is an elevational view of the front of the frame for modular seating of FIG. 1;

FIG. 3 is an elevational view of the rear of the frame for modular seating of FIG. 1;

FIG. 4 is an elevational view of the right side of the frame for modular seating of FIG. 1;

FIG. 5 is an elevational view of the left side of the frame for modular seating of FIG. 1;

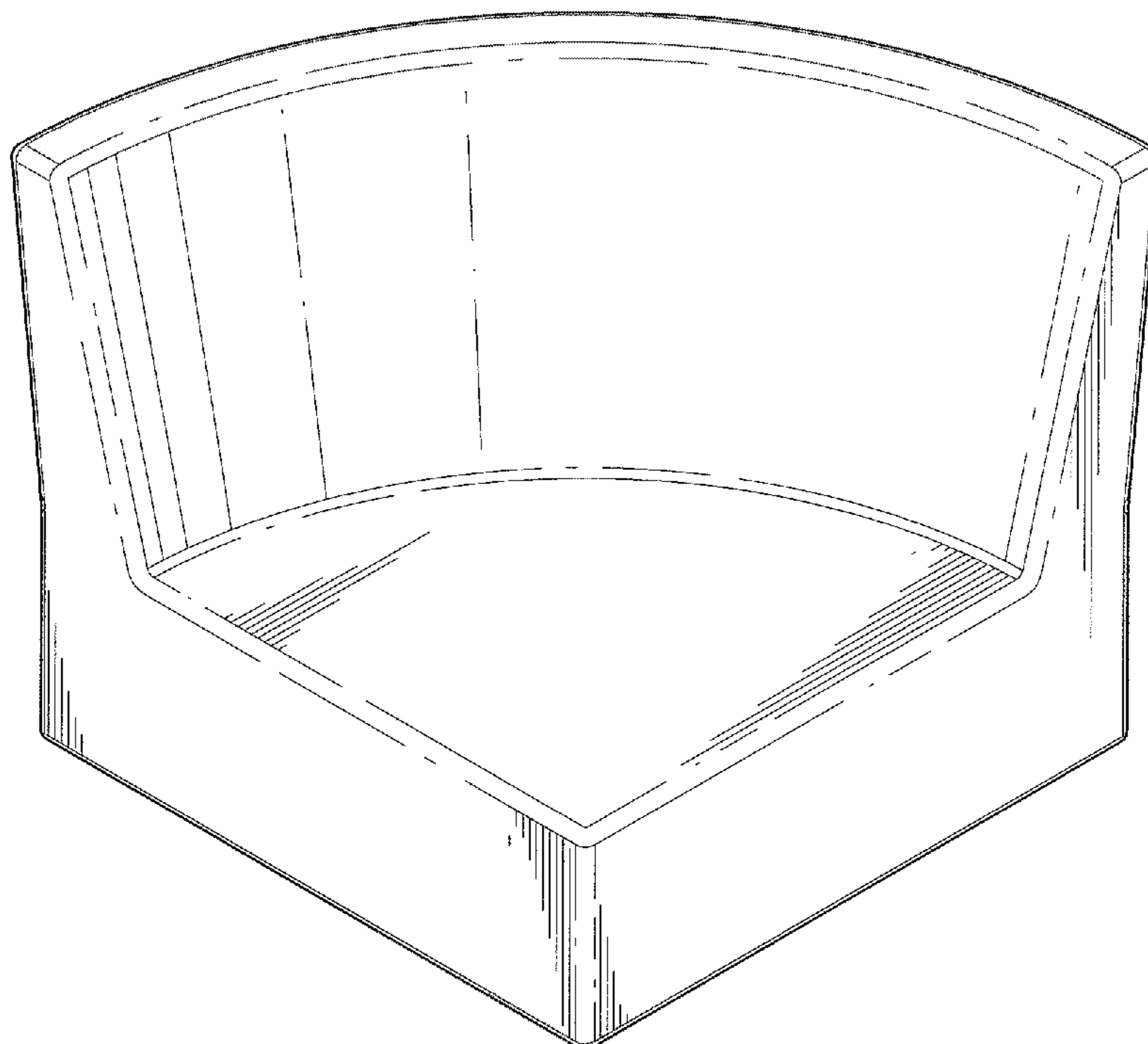
FIG. 6 is a top plan view showing of the frame for modular seating of FIG. 1;

FIG. 7 is a bottom plan view of the frame for modular seating of FIG. 1; and,

FIG. 8 is a bottom perspective view of the frame for modular seating of FIG. 1.

The broken lines showing of the bottom of the footrests are for illustrative purposes only and form no part of the claimed design.

**1 Claim, 6 Drawing Sheets**



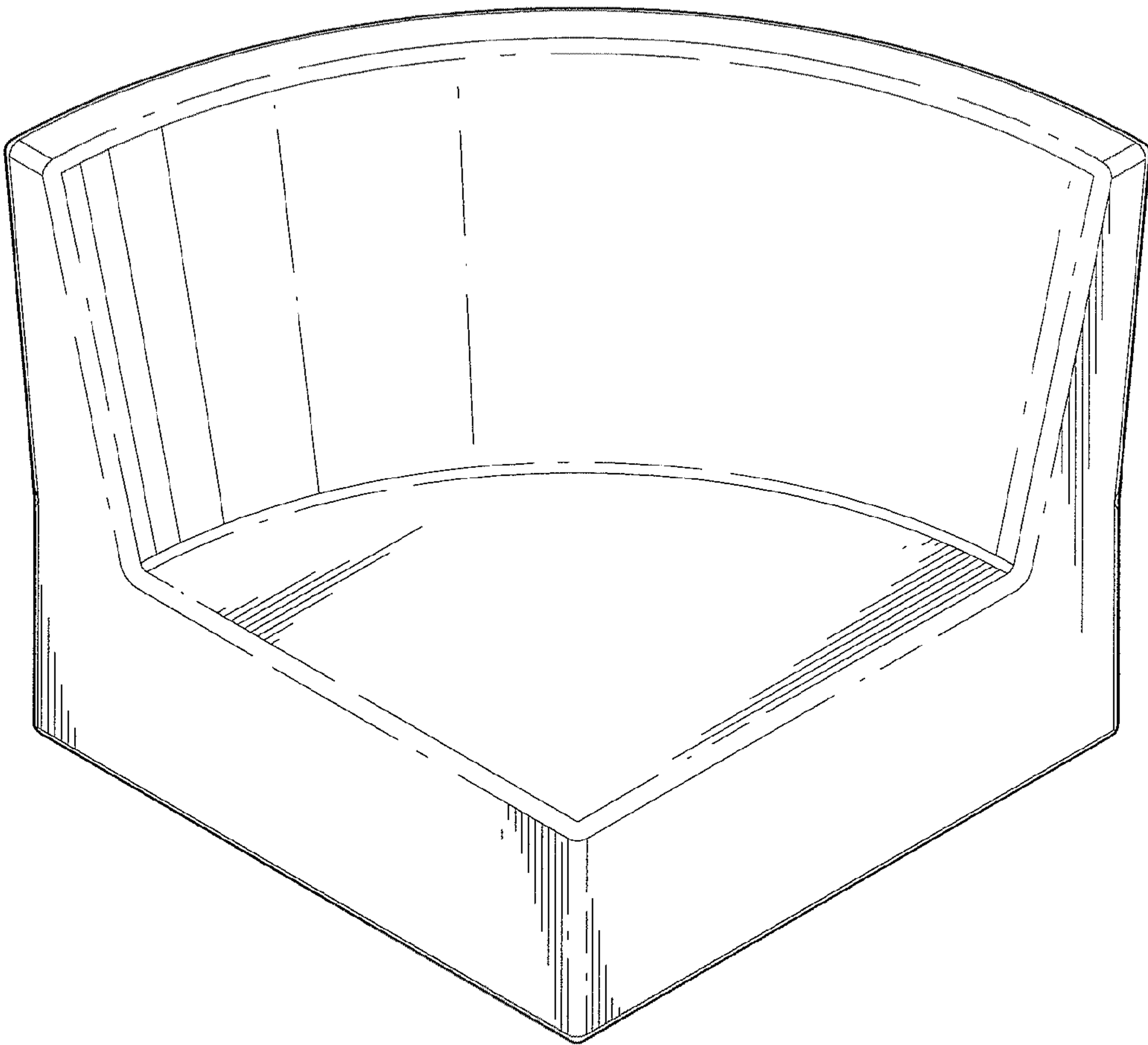


FIG. 1

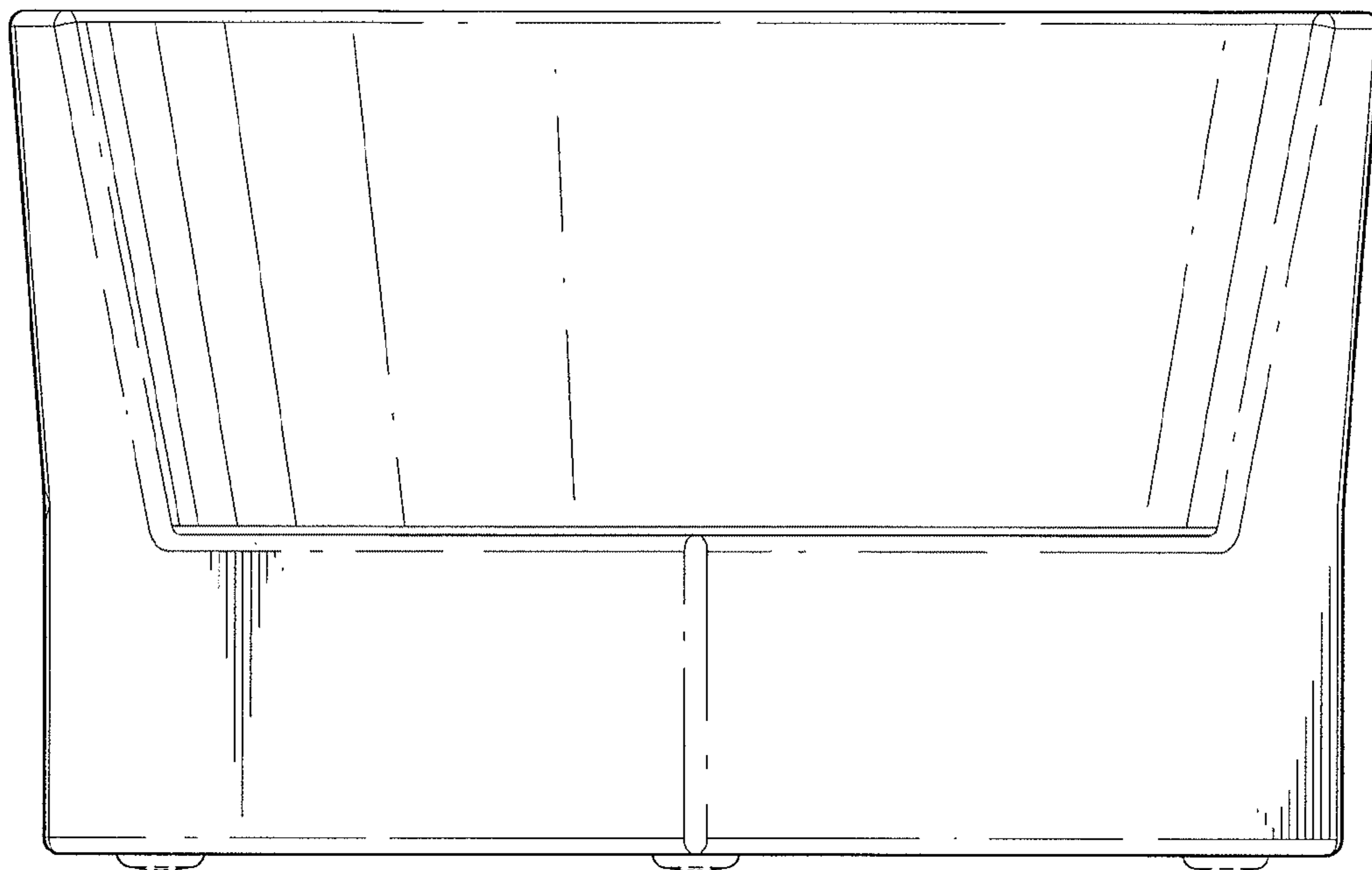


FIG. 2

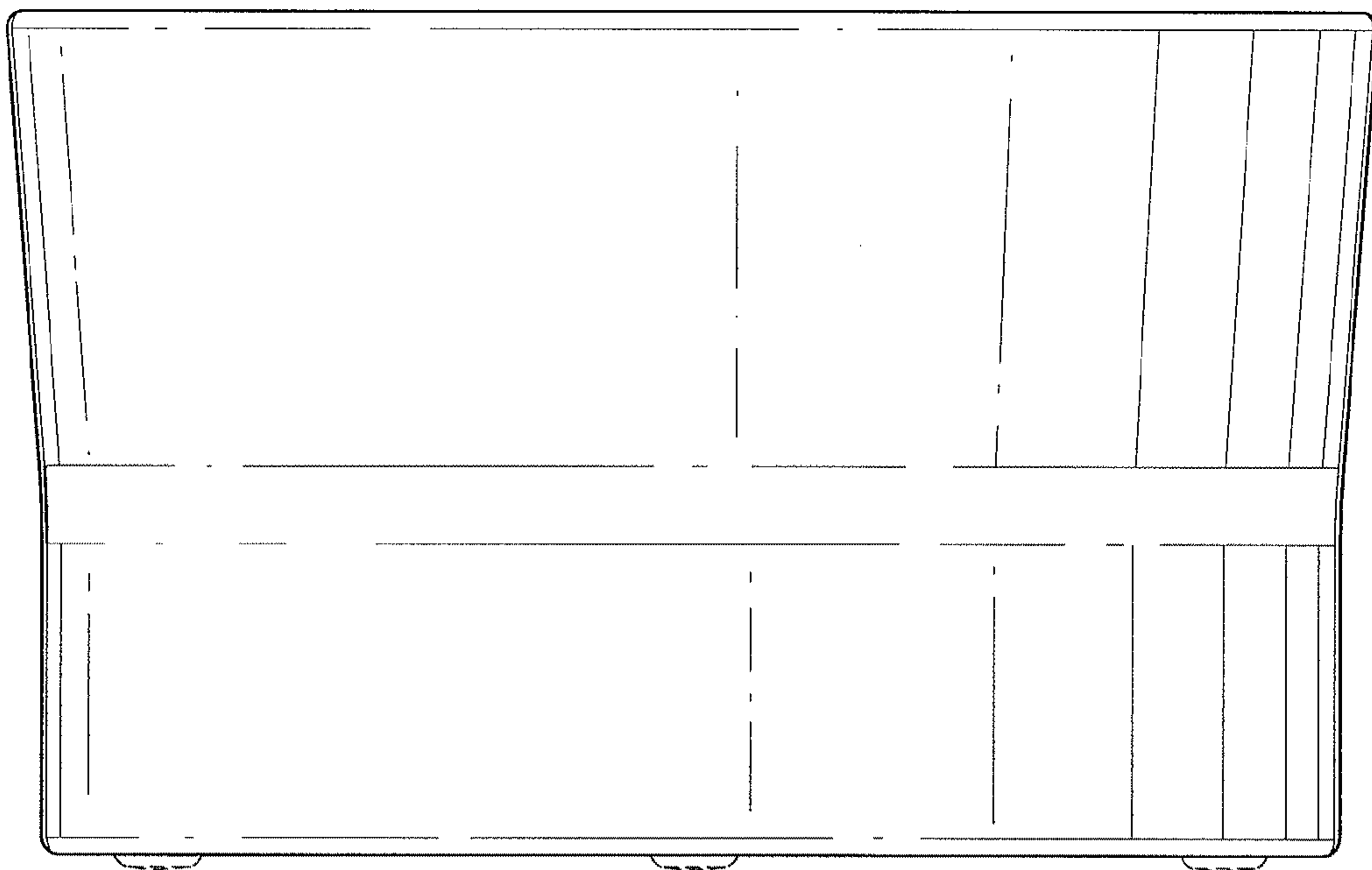


FIG. 3

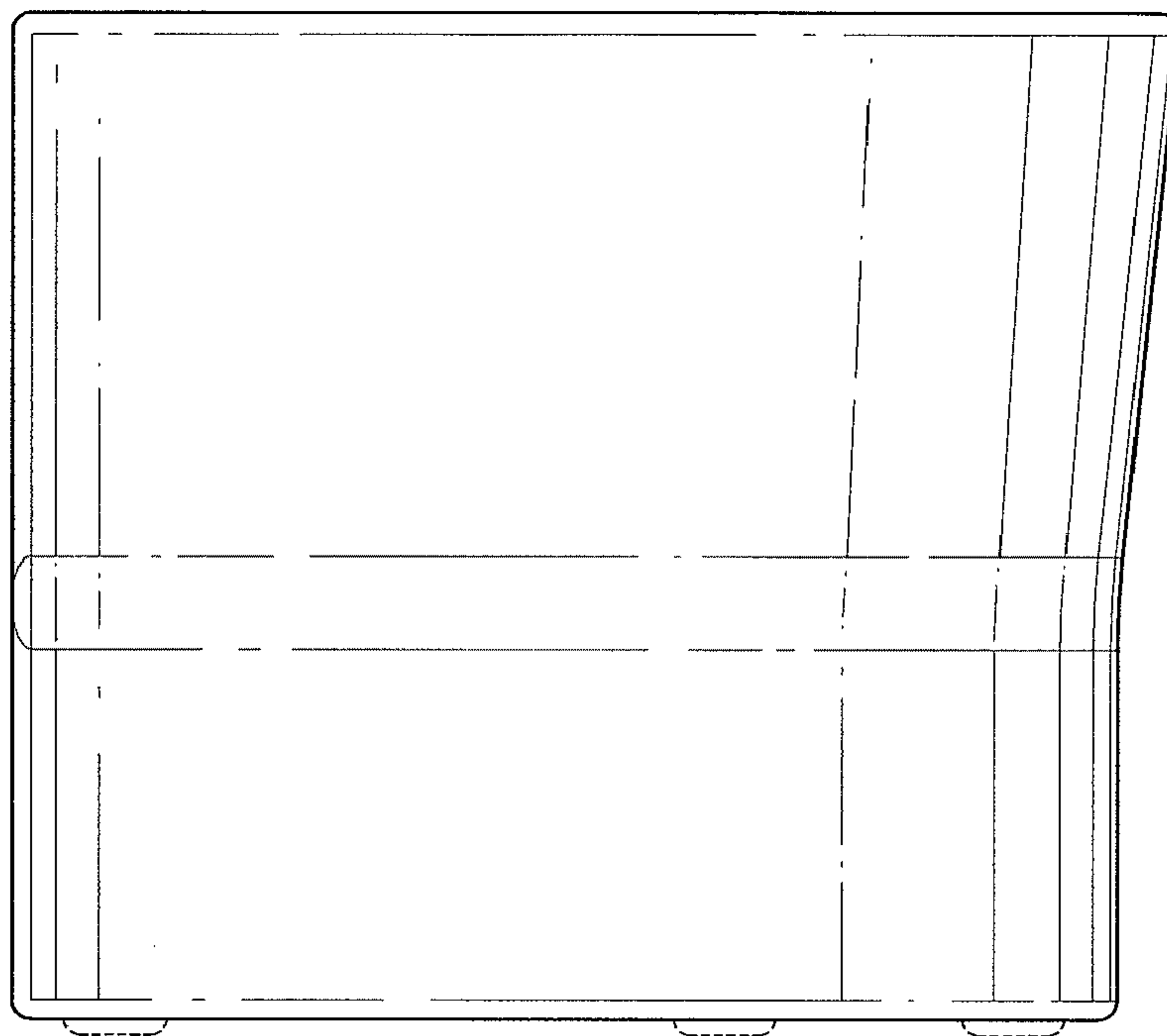


FIG. 4

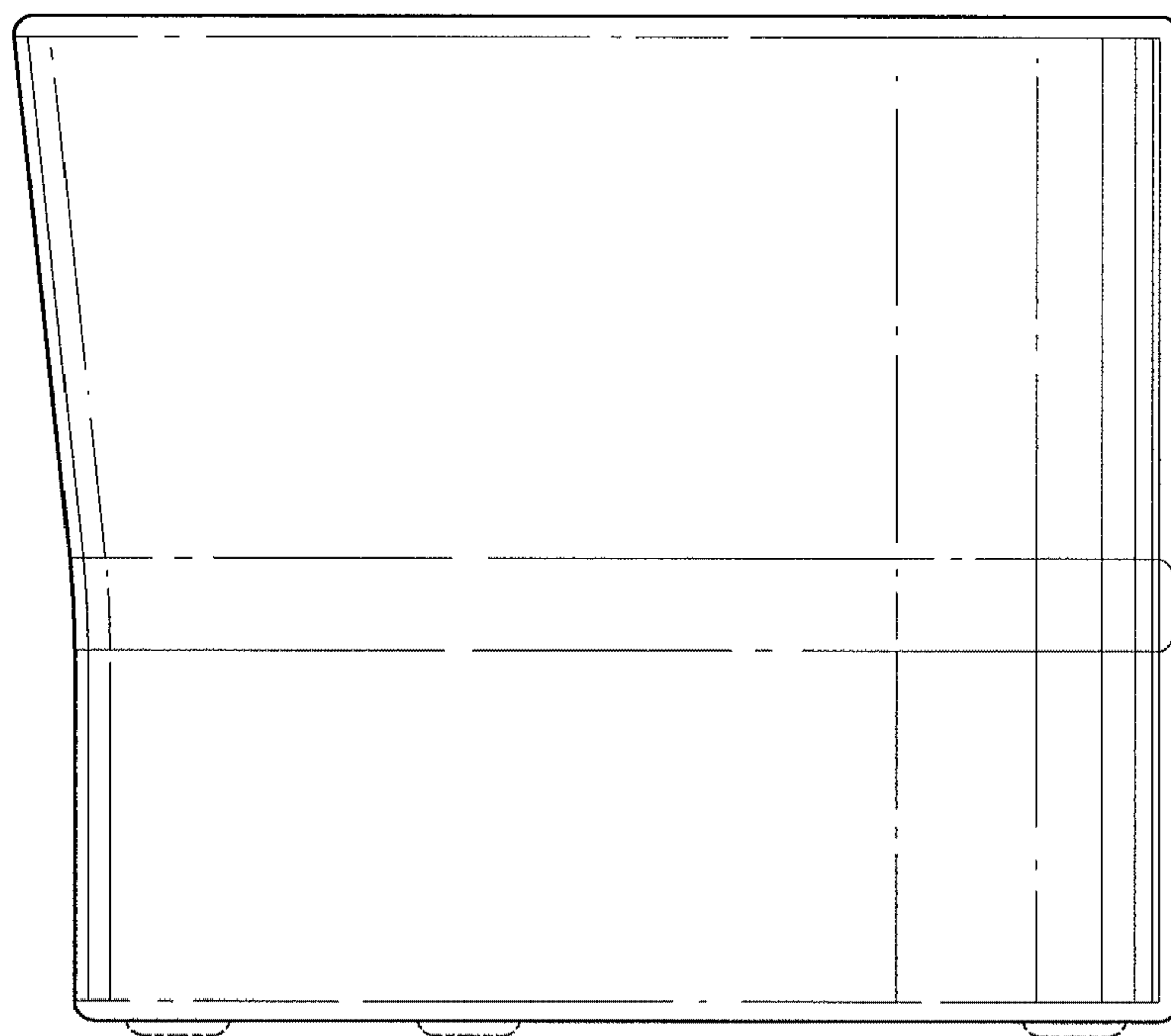


FIG. 5

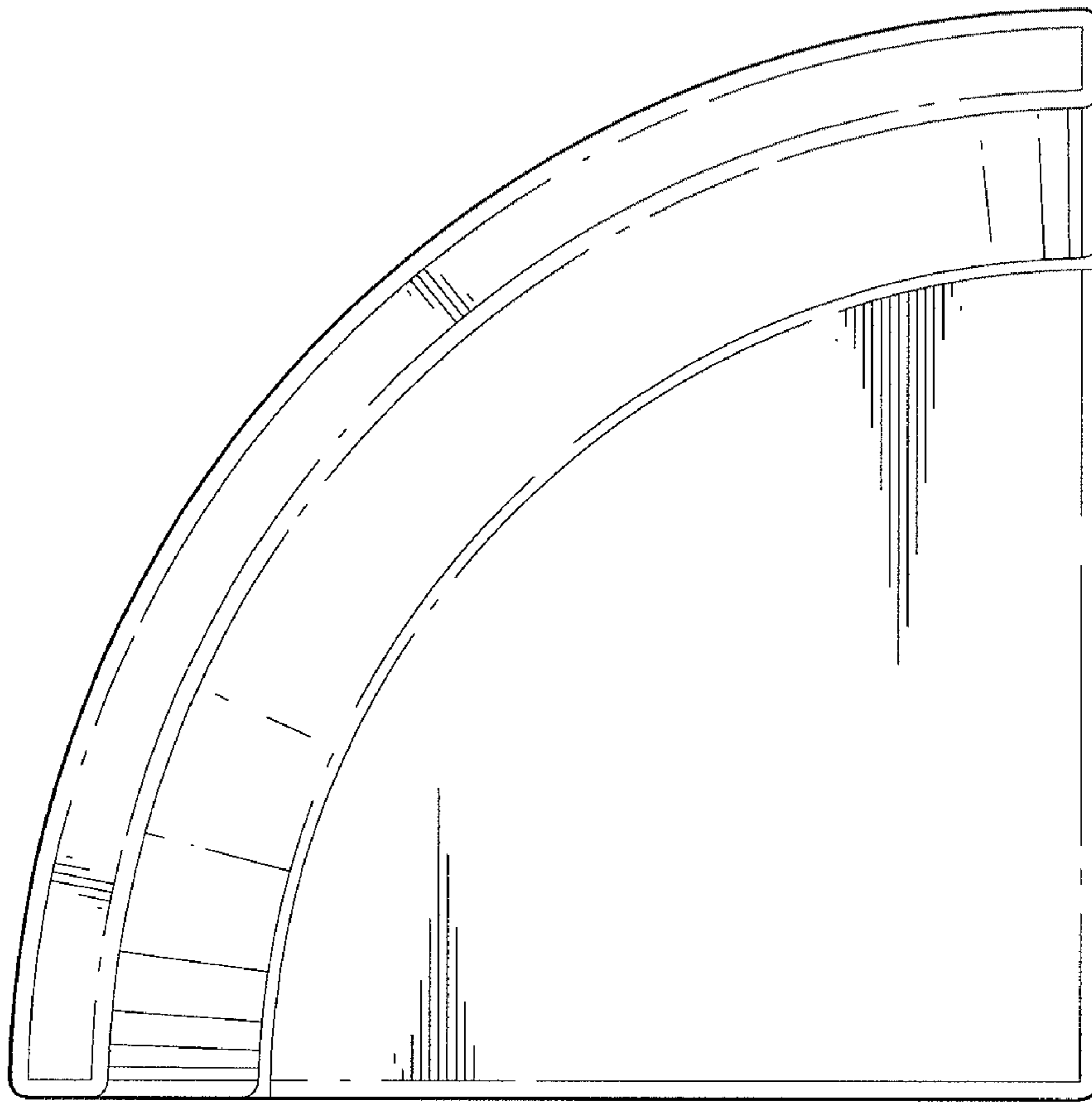


FIG. 6

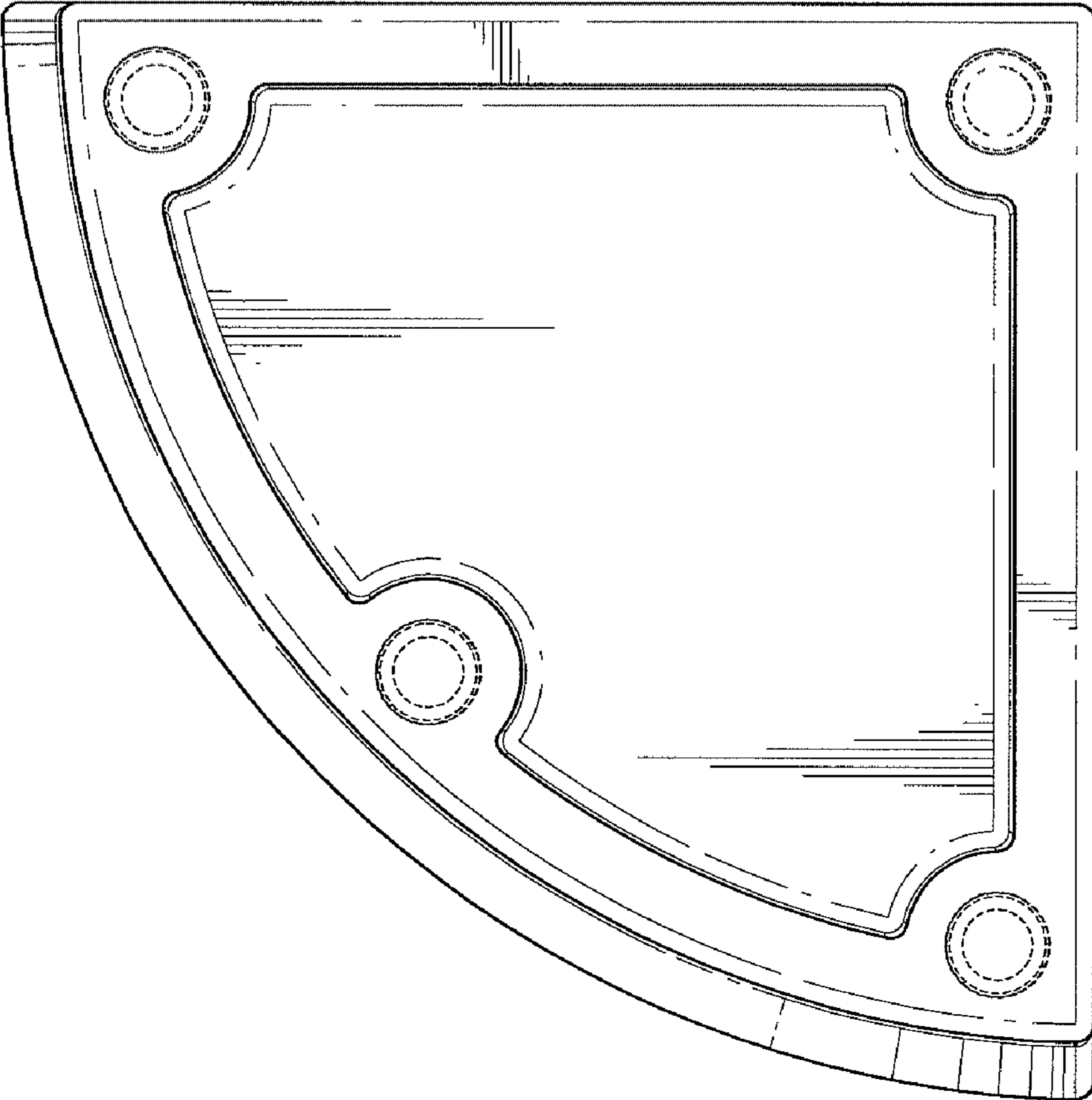


FIG. 7

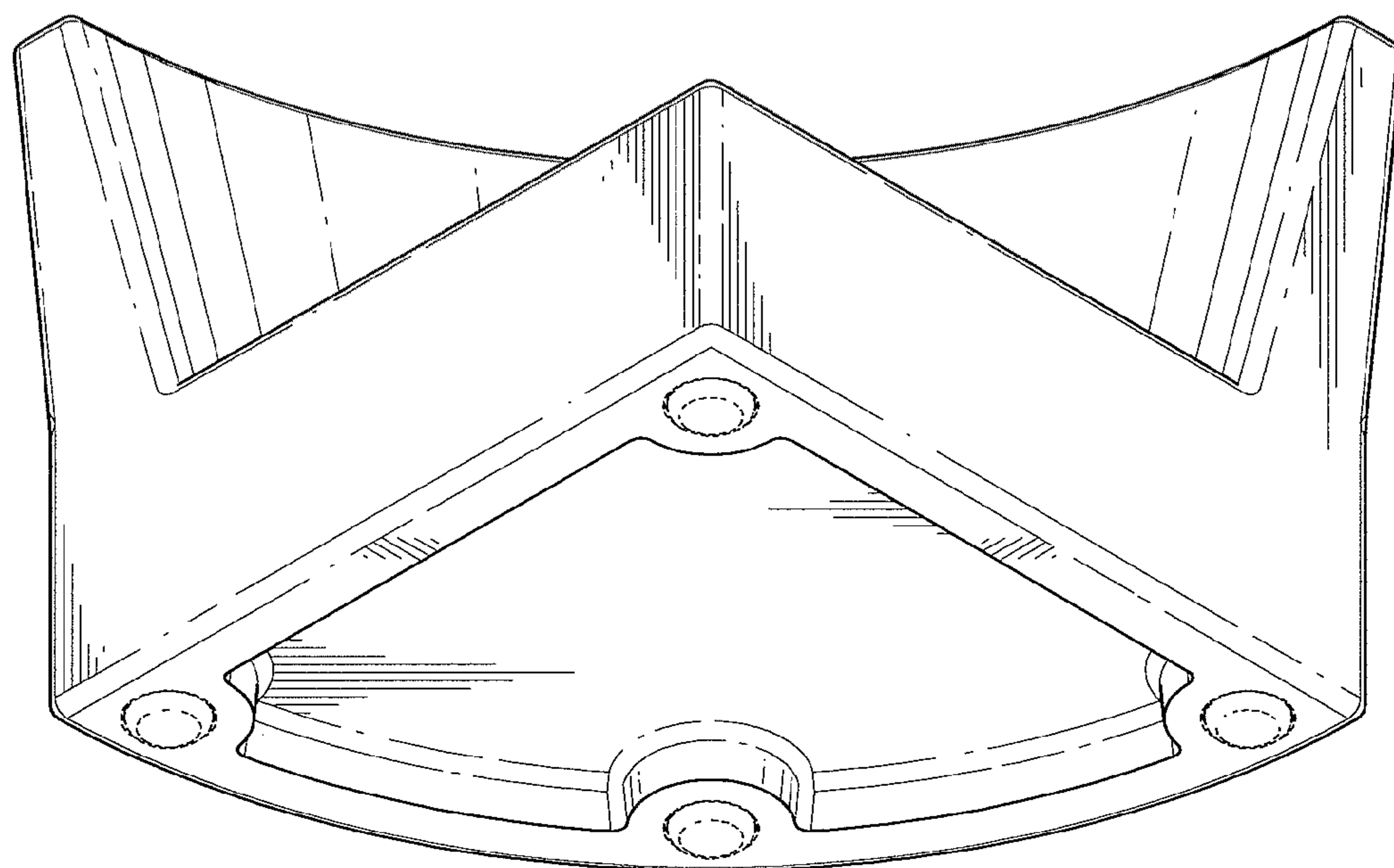


FIG. 8