



US00D605864S

(12) **United States Design Patent**
Stewart et al.

(10) **Patent No.:** **US D605,864 S**

(45) **Date of Patent:** **** Dec. 15, 2009**

(54) **SEAT**

(75) Inventors: **Rebecca Stewart**, London (GB); **James Cross**, London (GB)

(73) Assignee: **Ove Arup and Partners International Ltd** (GB)

(**) Term: **14 Years**

(21) Appl. No.: **29/330,868**

(22) Filed: **Jan. 15, 2009**

(30) **Foreign Application Priority Data**

Jul. 16, 2008 (EM) 000973409-0001

(51) **LOC (9) Cl.** **06-01**

(52) **U.S. Cl.** **D6/364**

(58) **Field of Classification Search** D6/334–336,
D6/362, 364, 365, 368, 374, 379, 380, 381,
D6/500–502; 297/232, 248, 331, 335, 338,
297/354.1

See application file for complete search history.

(56) **References Cited**

U.S. PATENT DOCUMENTS

D228,104 S * 8/1973 Blodee D6/368
D252,482 S * 7/1979 Blodee D6/365
4,850,159 A * 7/1989 Conner 297/248
D322,369 S * 12/1991 Laird D6/364

D386,320 S * 11/1997 King D6/368
6,095,603 A * 8/2000 Hock 297/232
D439,428 S * 3/2001 Mizuno D6/368
D448,189 S * 9/2001 Jahn D6/374
D509,372 S * 9/2005 King D6/368
2004/0100134 A1 * 5/2004 Plant et al. 297/331
2008/0217979 A1 * 9/2008 King 297/338

* cited by examiner

Primary Examiner—Mimosa De

(74) *Attorney, Agent, or Firm*—Cantor Colburn LLP

(57) **CLAIM**

I claim, the ornamental design for a seat, as shown and described.

DESCRIPTION

FIG. 1 is a perspective view of a seat, showing our new design, and including portions shown in broken lines herein and throughout for purposes of illustration only and forming no part of the claimed design;

FIG. 2 is a front elevation view thereof;

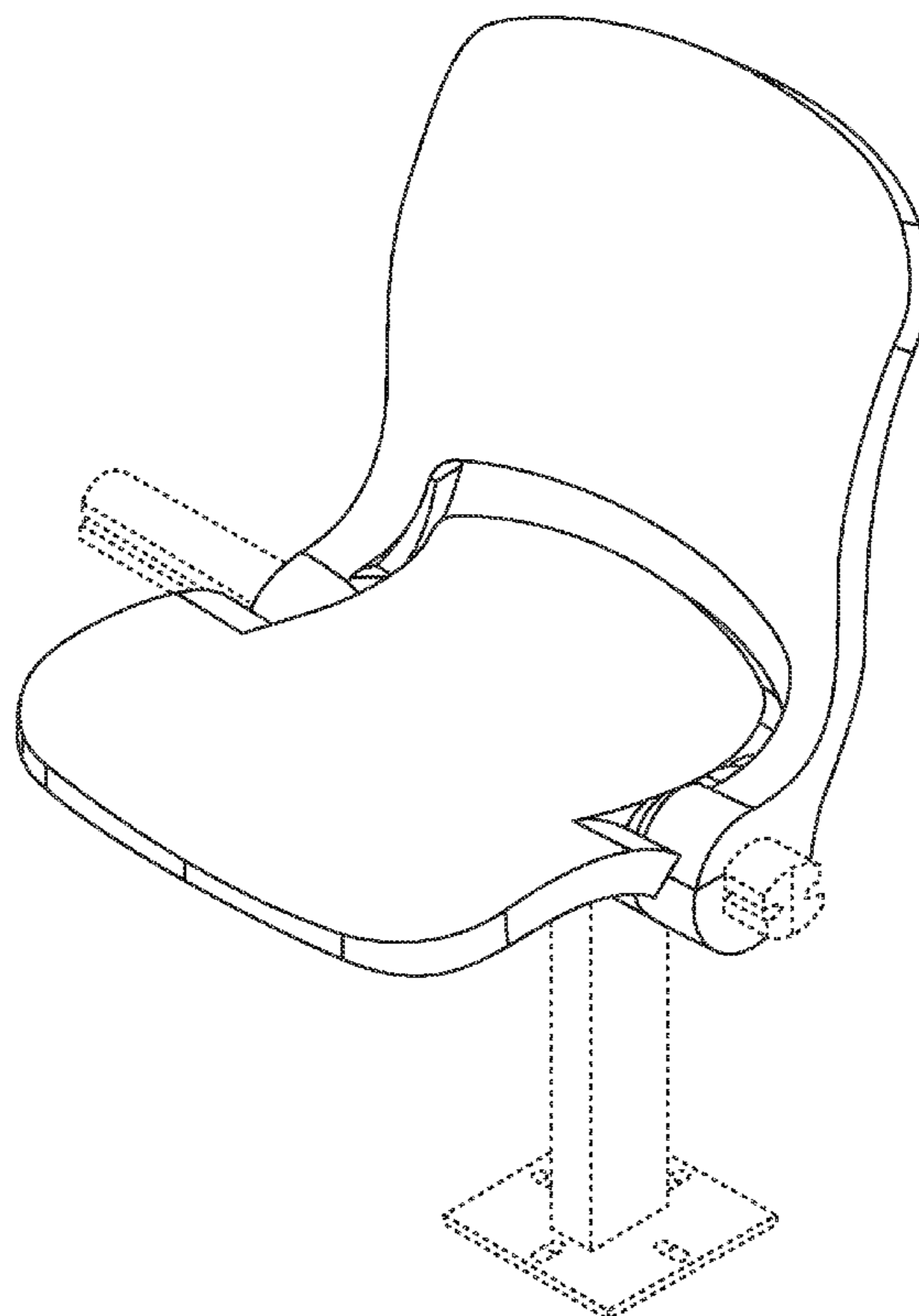
FIG. 3 is a side elevation view thereof taken from the right of FIG. 1, the opposite side being a mirror image; and

FIG. 4 is a rear elevation view thereof;

FIG. 5 is a top plan view thereof; and,

FIG. 6 is a bottom plan view thereof.

1 Claim, 6 Drawing Sheets



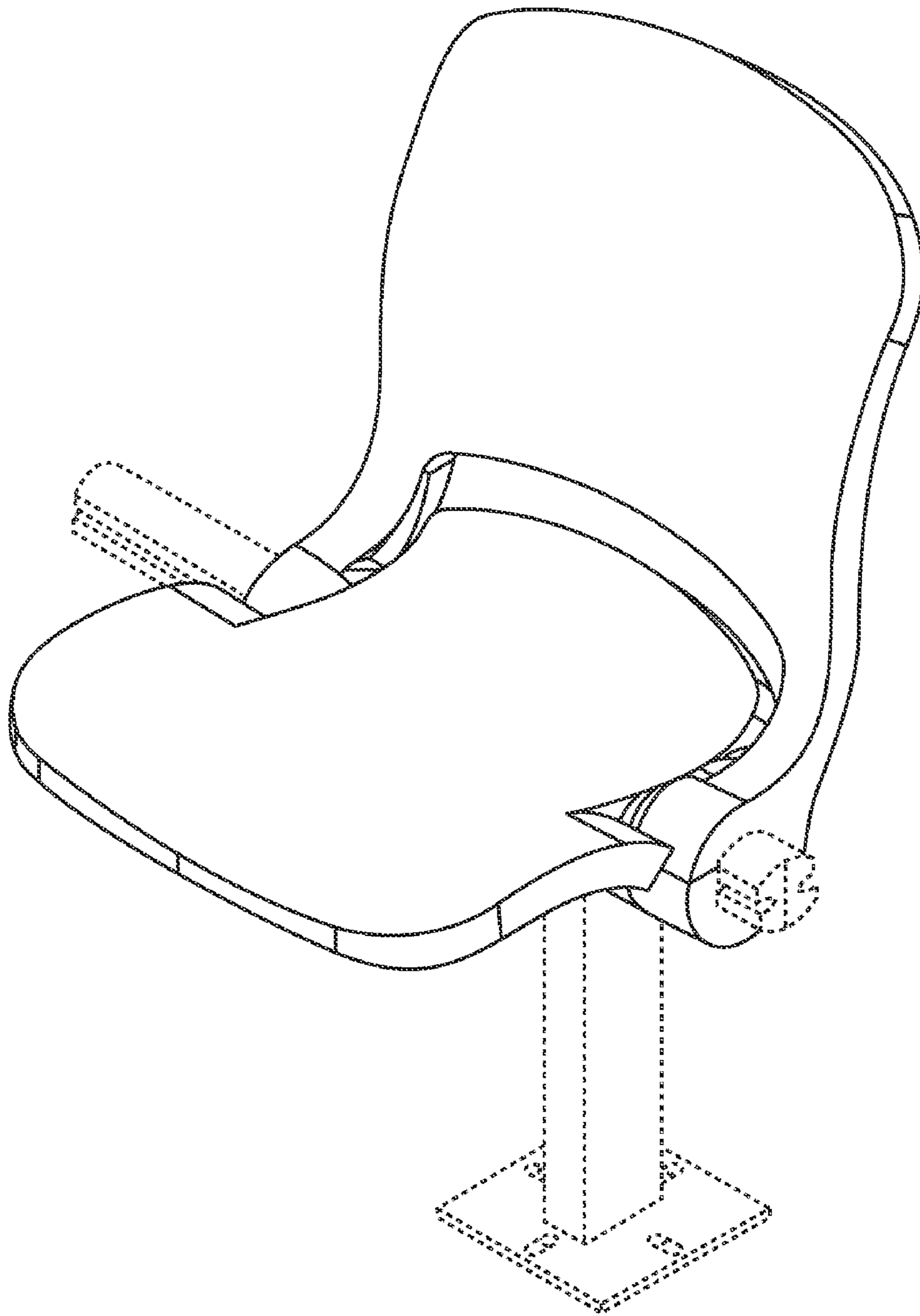


FIG. 1

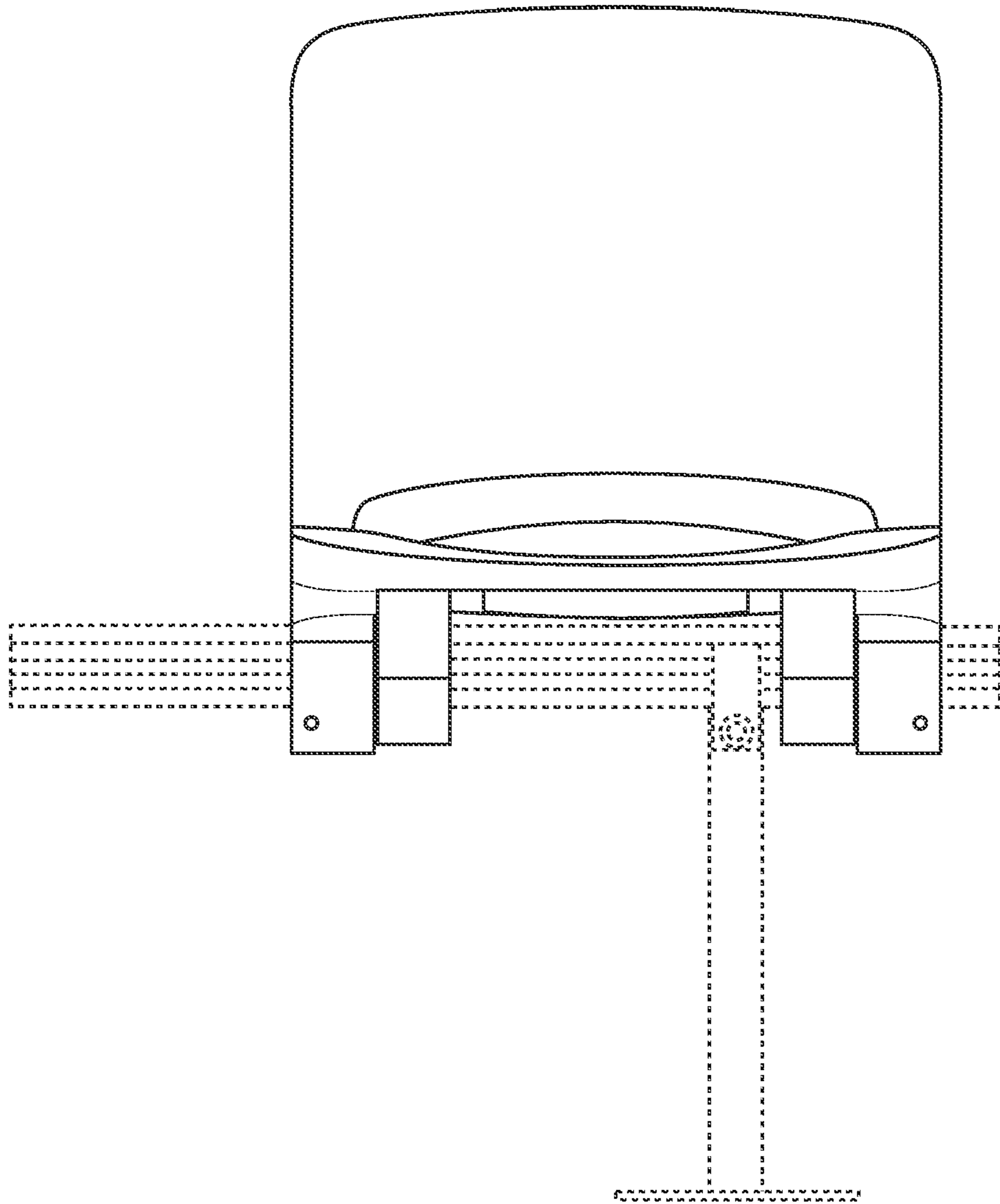


FIG. 2

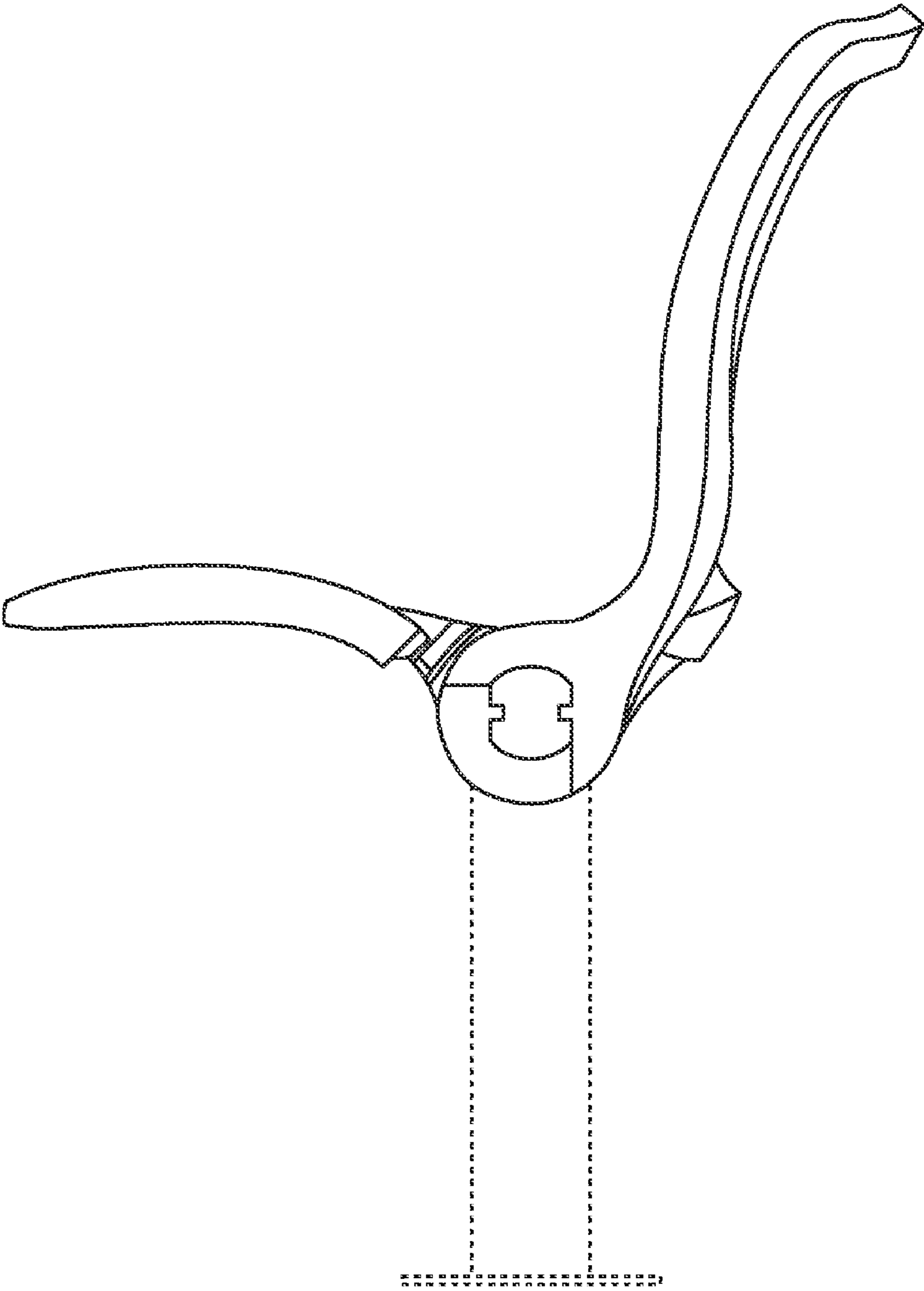


FIG. 3

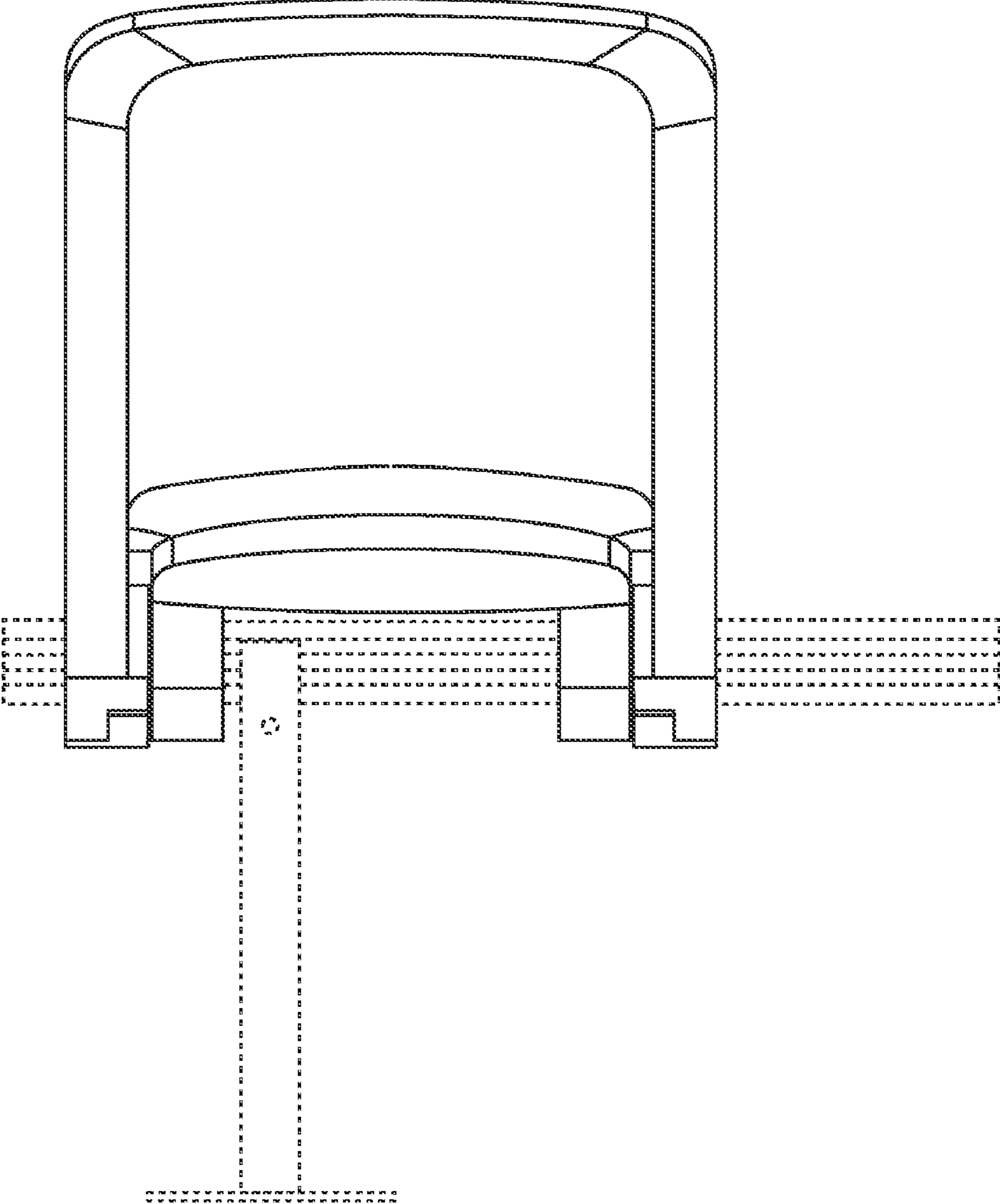


FIG. 4

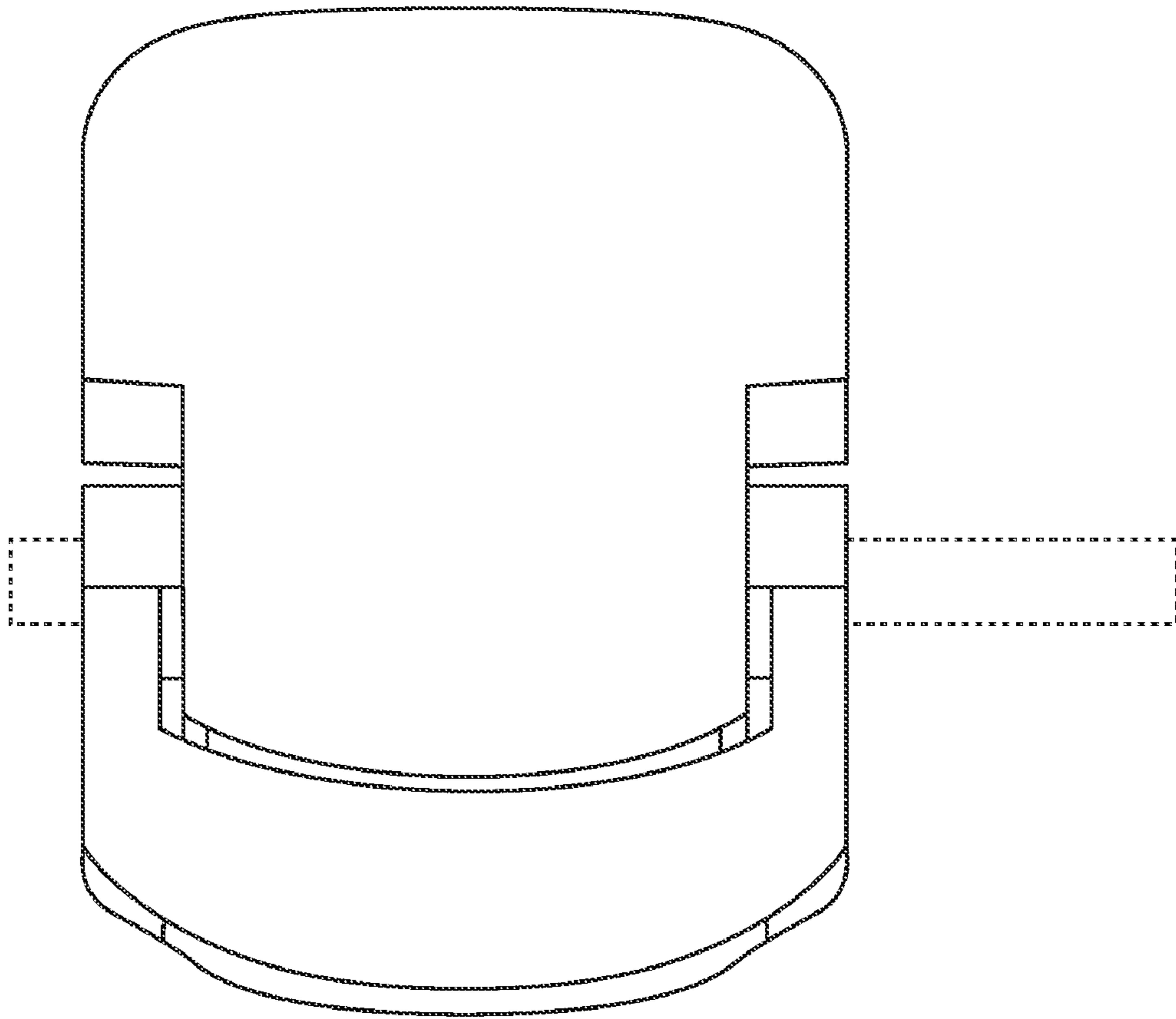


FIG. 5

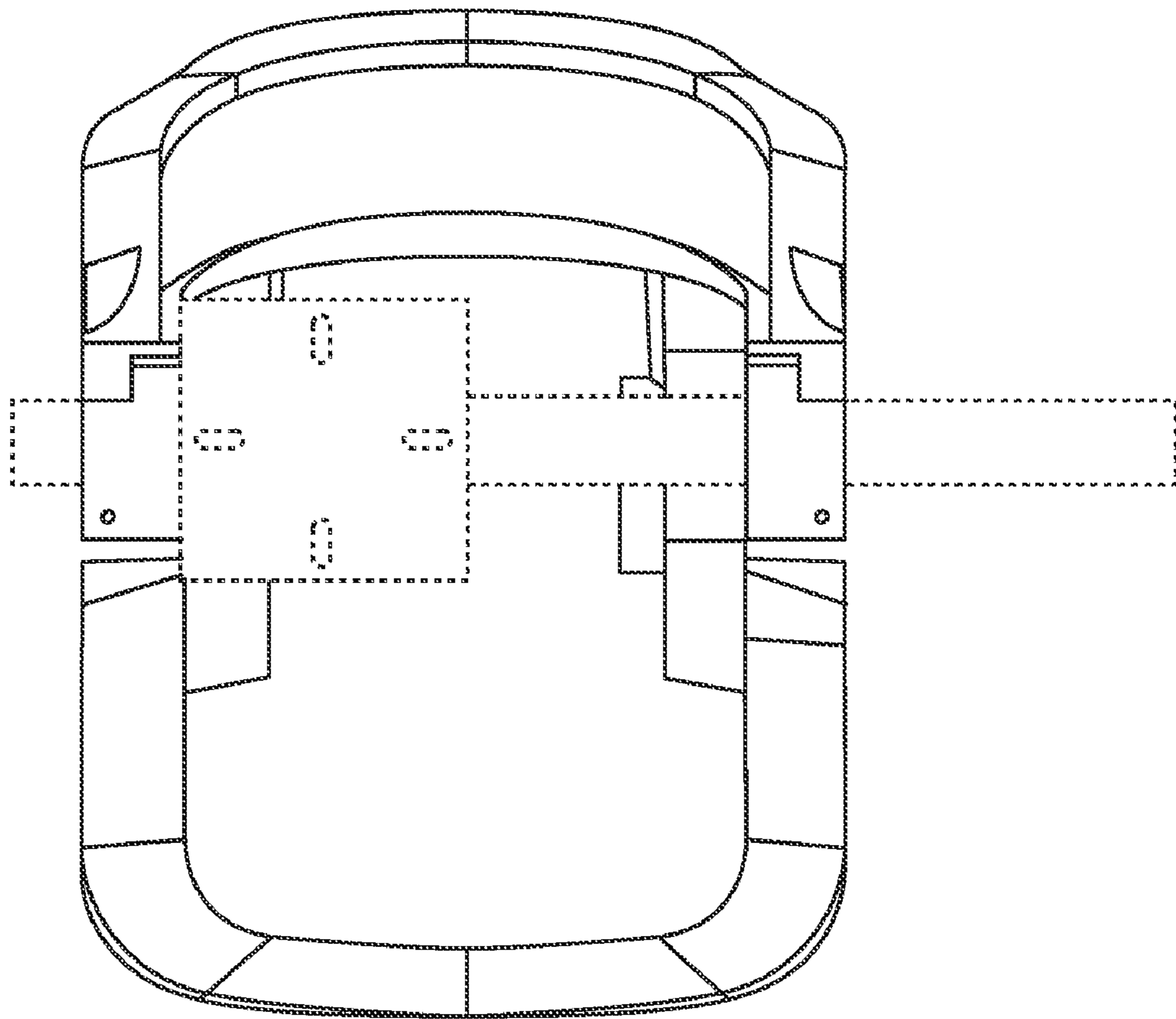


FIG. 6