



US00D605859S

(12) **United States Design Patent**  
**Barker et al.**

(10) **Patent No.:** **US D605,859 S**  
(45) **Date of Patent:** **\*\* Dec. 15, 2009**

(54) **HANGER FOR INTIMATE APPAREL**

D337,338 S \* 7/1993 Chang ..... D3/266  
D366,569 S \* 1/1996 Coles et al. .... D6/315  
D377,868 S \* 2/1997 Charlet ..... D6/315  
D548,982 S \* 8/2007 Chernicoff et al. .... D6/318

(75) Inventors: **Gary Barker**, Oakland, CA (US);  
**Michael Low**, Pinole, CA (US)

(73) Assignee: **GreenHeart Global, Inc.**, Oakland, CA  
(US)

\* cited by examiner

(\*\*) Term: **14 Years**

*Primary Examiner*—Stella M Reid

*Assistant Examiner*—Shanda C Hill

(74) *Attorney, Agent, or Firm*—Stuart J. Friedman

(21) Appl. No.: **29/312,805**

(57) **CLAIM**

(22) Filed: **Nov. 13, 2008**

The ornamental design for a hanger for intimate apparel, as shown and described.

(51) **LOC (9) Cl.** ..... **06-08**

(52) **U.S. Cl.** ..... **D6/315; D6/318**

(58) **Field of Classification Search** ..... D6/315–319,  
D6/323–325, 327, 328; D8/249, 354, 356,  
D8/367, 373; 211/1, 13.1, 85.3, 86.01, 183;  
223/85–98

**DESCRIPTION**

See application file for complete search history.

FIG. 1 is a front elevational view of a hanger for intimate apparel showing my new design;

FIG. 2 is a left side elevational view thereof;

FIG. 3 is a right side elevational view thereof;

FIG. 4 is a top plan view thereof;

FIG. 5 is a bottom plan view thereof;

FIG. 6 is a rear elevational view thereof; and,

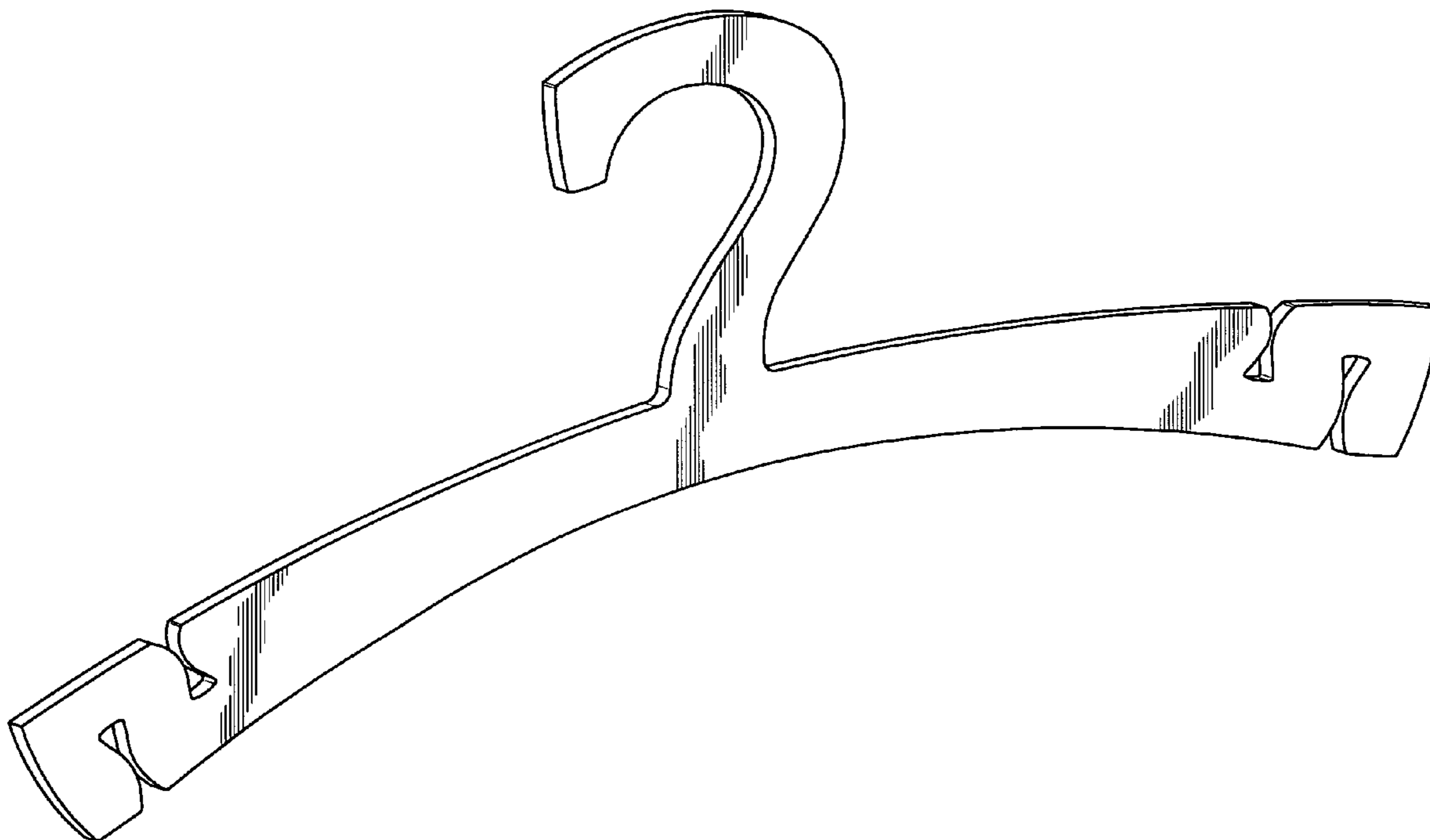
FIG. 7 is an enlarged perspective view thereof.

(56) **References Cited**

U.S. PATENT DOCUMENTS

D264,789 S \* 6/1982 Zyla et al. .... D6/315  
D272,494 S \* 2/1984 Mahowald ..... D6/513  
D293,514 S \* 1/1988 Hurrelbrink ..... D6/318  
D321,288 S \* 11/1991 Nichol, Jr. .... D6/315  
D326,365 S \* 5/1992 Stevens et al. .... D6/315

**1 Claim, 3 Drawing Sheets**



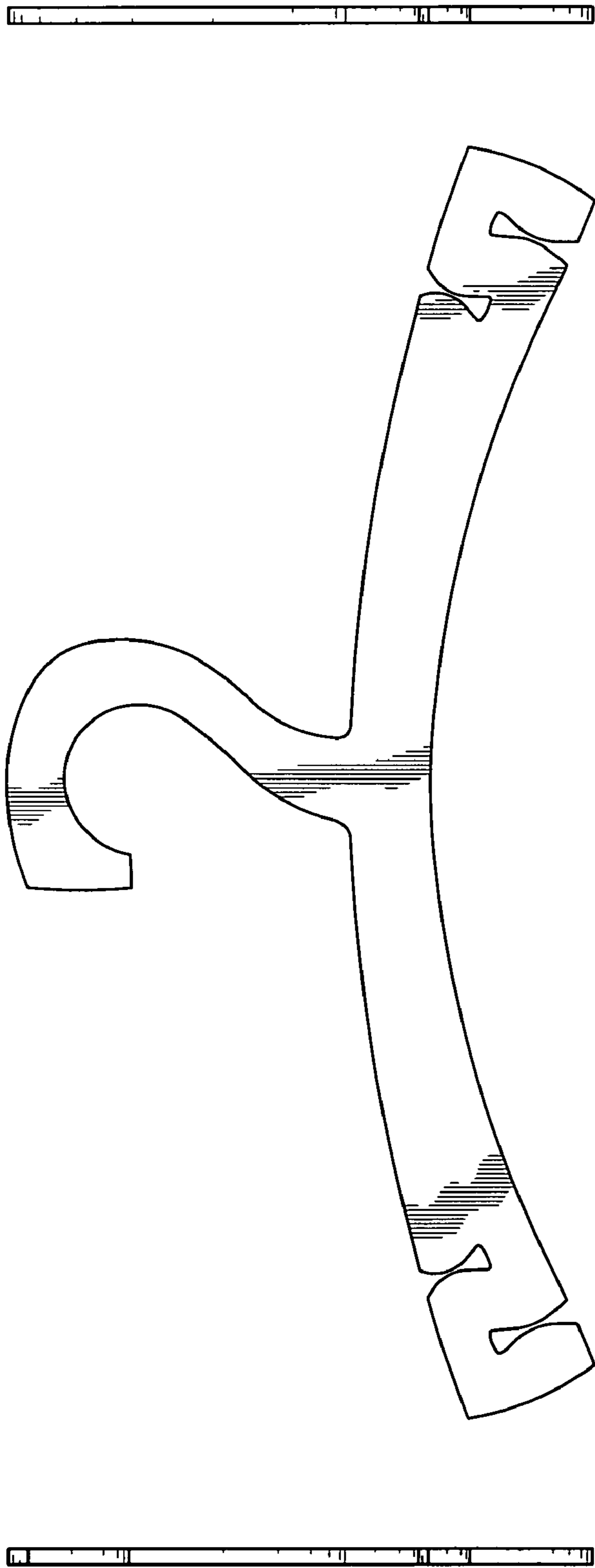


FIG. 1

FIG. 3

FIG. 2



FIG. 4



FIG. 5

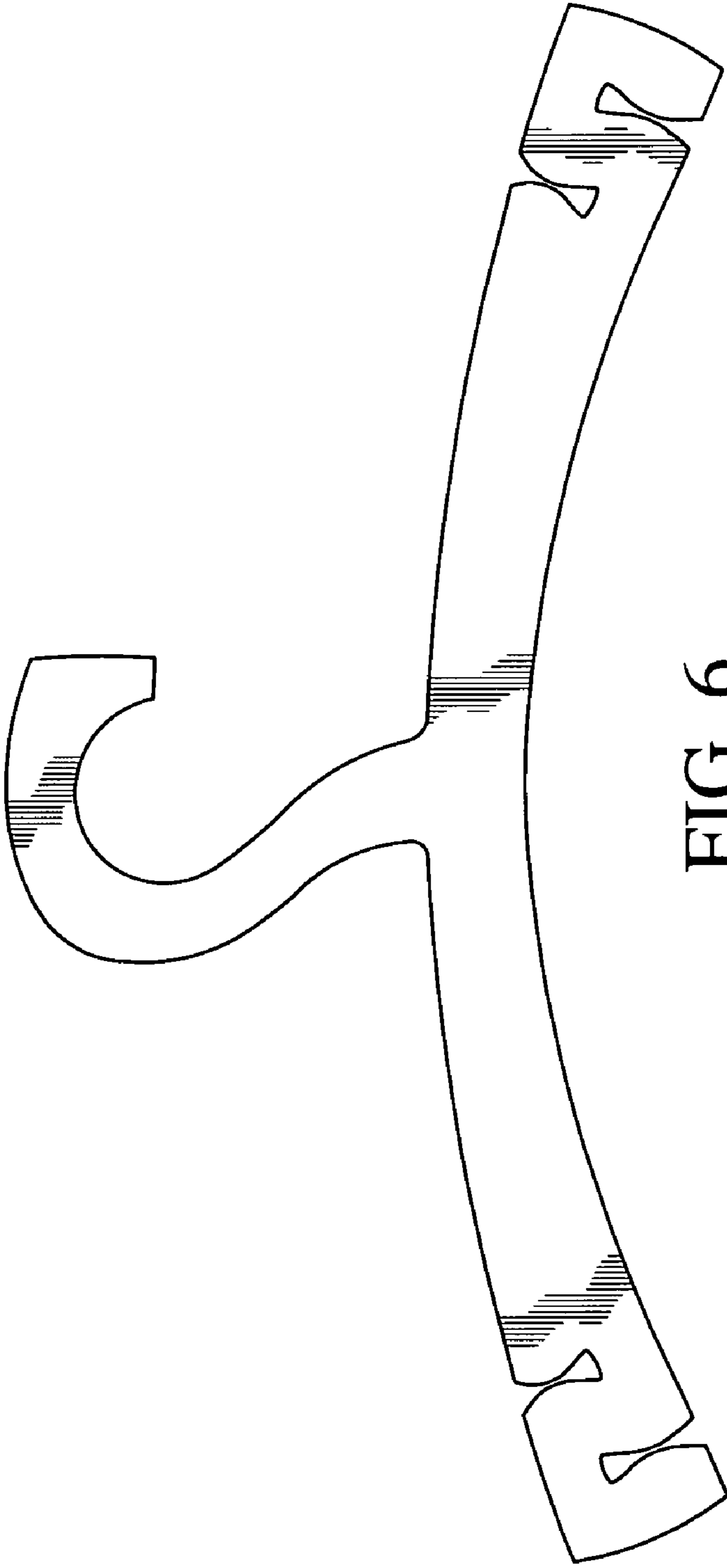


FIG. 6

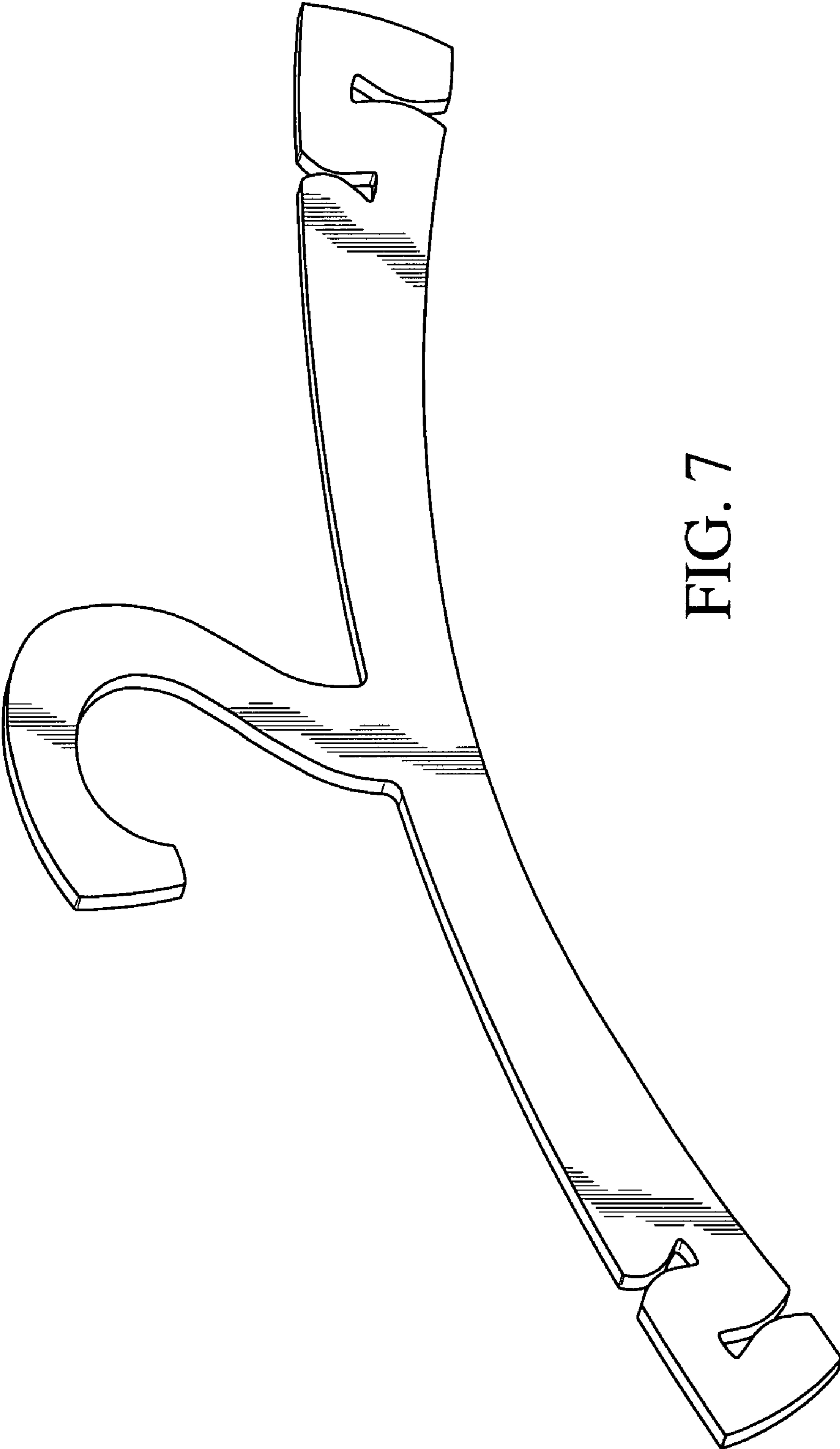


FIG. 7