



US00D605856S

(12) **United States Design Patent**
Wu

(10) **Patent No.:** **US D605,856 S**

(45) **Date of Patent:** **** Dec. 15, 2009**

(54) **TOOL PARTS CONTAINER**

(76) Inventor: **Yi-Ra Wu**, 1F., No. 330-6, Sec. 2,
Siangshang Rd., Taichung City (TW)

(**) Term: **14 Years**

(21) Appl. No.: **29/309,667**

(22) Filed: **Sep. 25, 2008**

(51) **LOC (9) Cl.** **03-01**

(52) **U.S. Cl.** **D3/304**

(58) **Field of Classification Search** D3/201,
D3/304-315; D6/449, 510-511, 566; 211/90.3,
211/181.1; 206/373, 503-507, 509, 519
See application file for complete search history.

(56) **References Cited**

U.S. PATENT DOCUMENTS

D192,271	S	*	2/1962	Gulland	D3/313
D316,496	S	*	4/1991	Diamond	D6/475
5,071,008	A	*	12/1991	Hradisky	206/507
D327,561	S	*	6/1992	Hradisky	D3/307
D429,882	S	*	8/2000	Lee et al.	D3/294
D515,313	S	*	2/2006	Uffner et al.	D3/294
D581,159	S	*	11/2008	Neilsen	D3/304
D585,215	S	*	1/2009	Rosenberg	D6/449
D589,728	S	*	4/2009	Shaha et al.	D6/510
2008/0302744	A1	*	12/2008	Rosenberg	211/94.01

* cited by examiner

Primary Examiner—T. Chase Nelson
Assistant Examiner—Kathleen M Sims

(74) *Attorney, Agent, or Firm*—HersHKovitz & Associates,
LLC; Abraham HersHKovitz

(57) **CLAIM**

The ornamental design for a tool parts container, as shown and described.

DESCRIPTION

FIG. 1 is a perspective view of a tool parts container, showing my new design;

FIG. 2 is a front view thereof;

FIG. 3 is a rear view thereof;

FIG. 4 is a left side view thereof;

FIG. 5 is a right side view thereof;

FIG. 6 is a top plan view thereof;

FIG. 7 is a bottom plan view thereof;

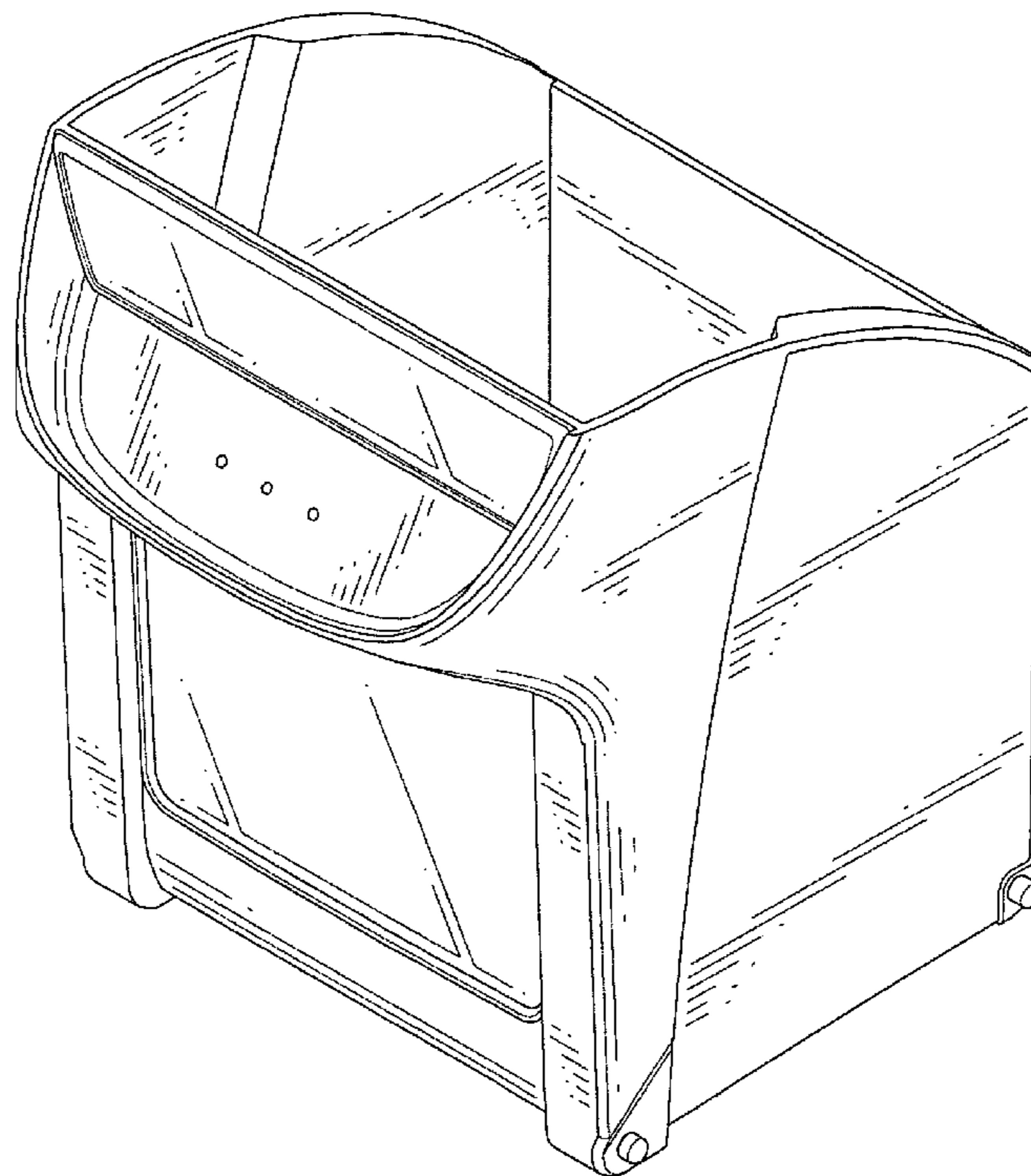
FIG. 8 is a rear perspective view thereof;

FIG. 9 is a perspective view thereof showing the container mounted in a broken line housing; and,

FIG. 10 is a perspective view thereof showing the tool parts container in condition of use with multiple broken line containers and housing.

The broken lines depict portions of the tool parts container that form no part of the claimed design, as well as environmental structure and multiple containers that also form no part of the claimed design.

1 Claim, 10 Drawing Sheets



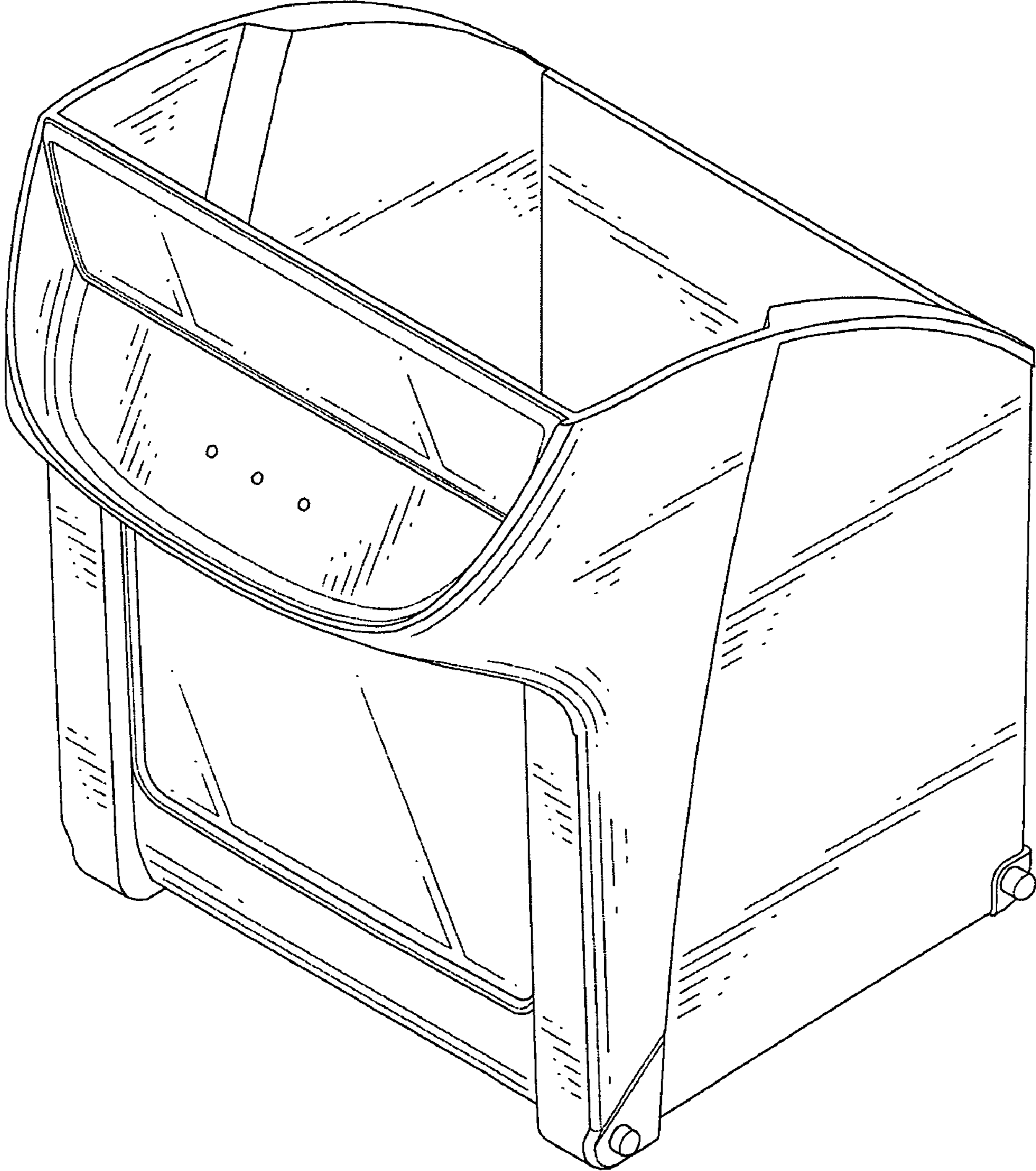


FIG. 1

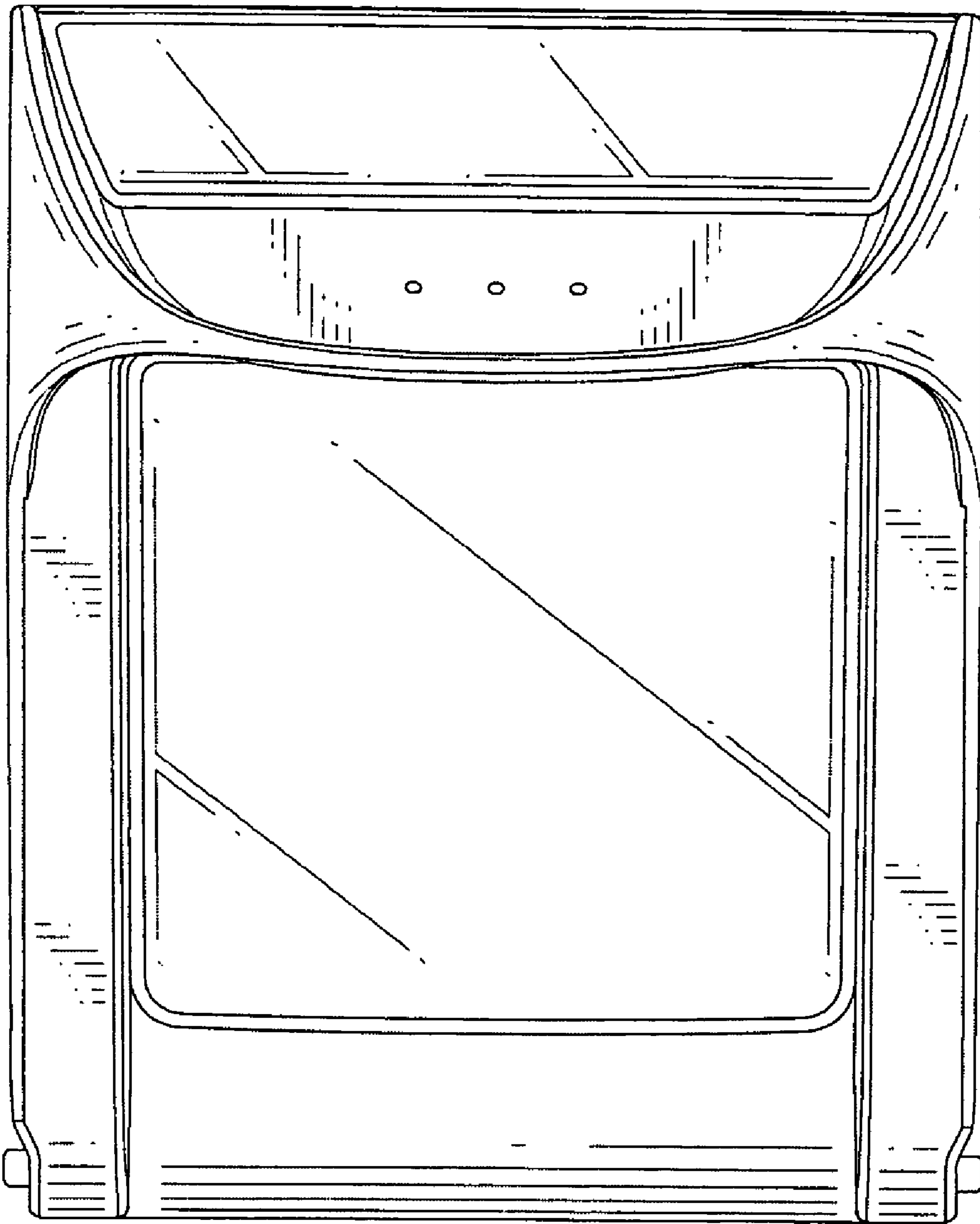


FIG. 2

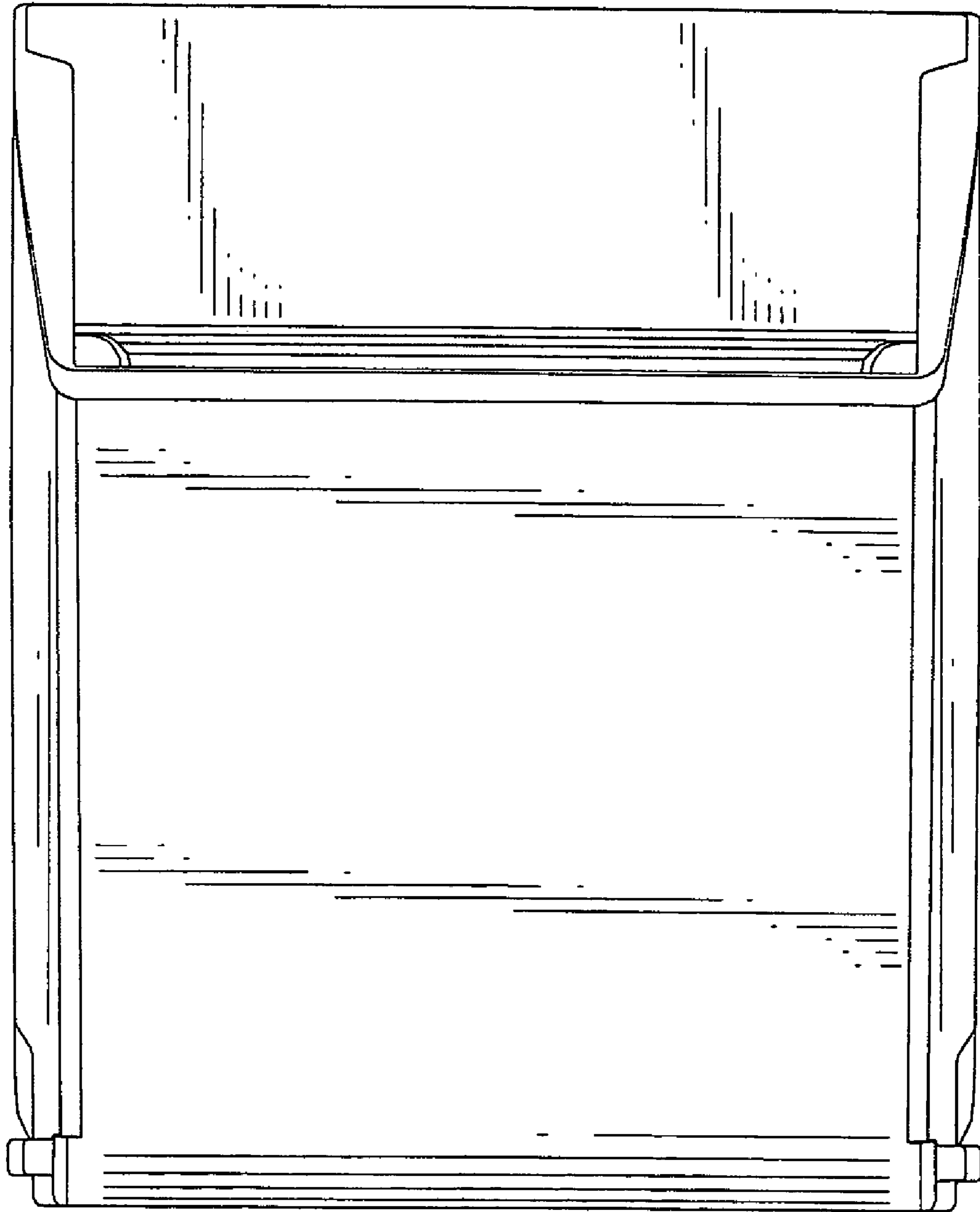


FIG. 3

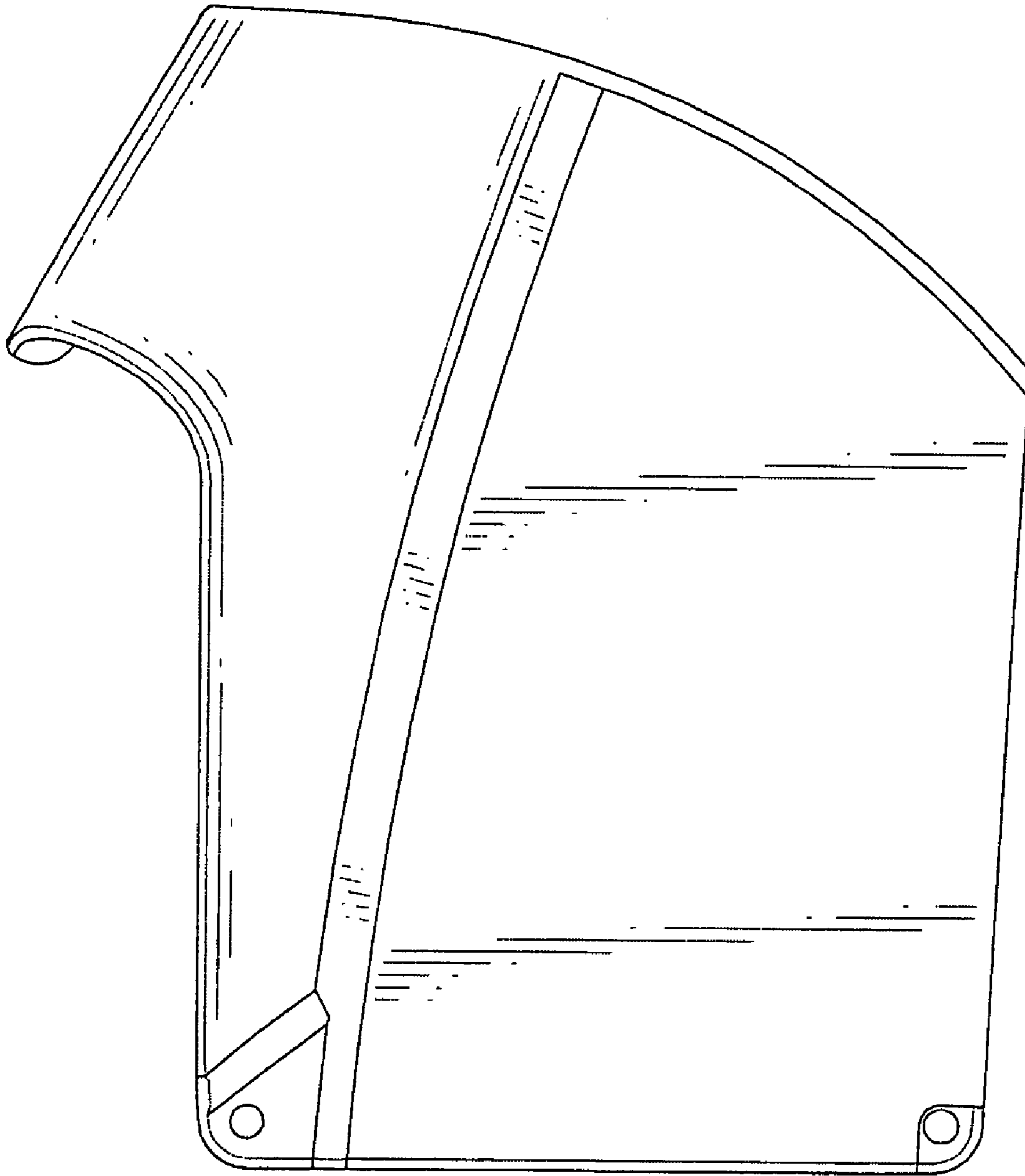


FIG. 4

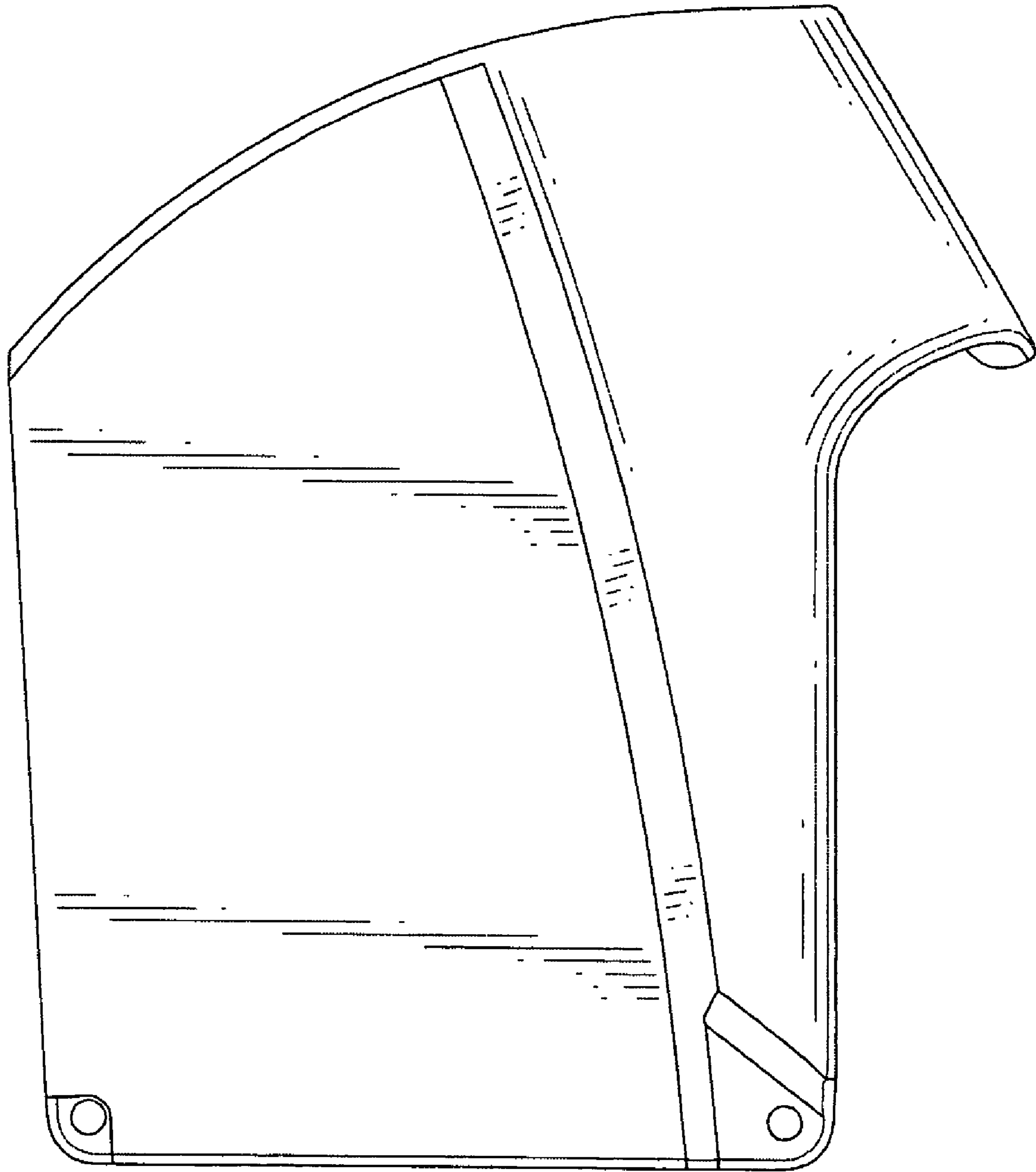


FIG. 5

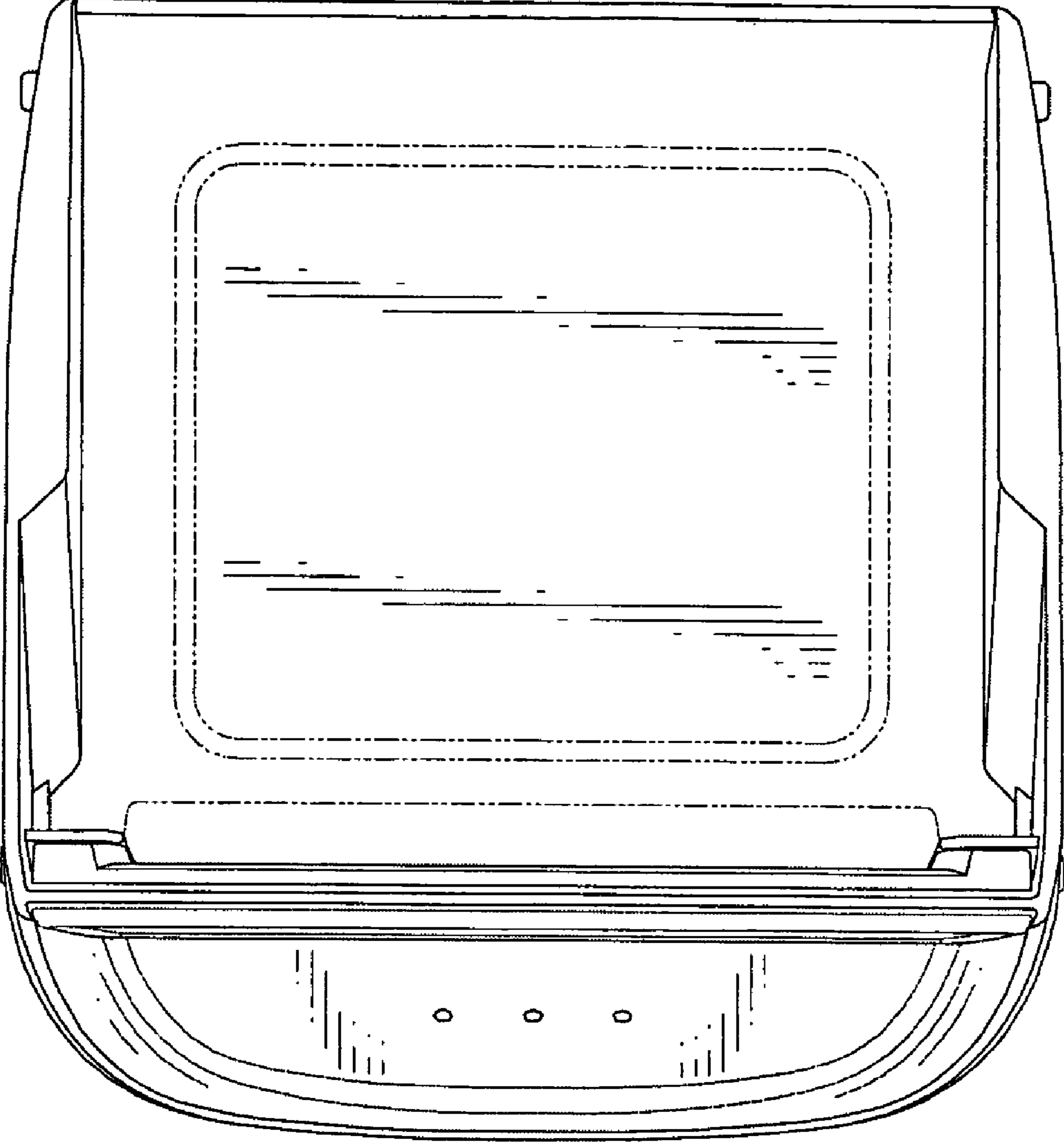


FIG. 6

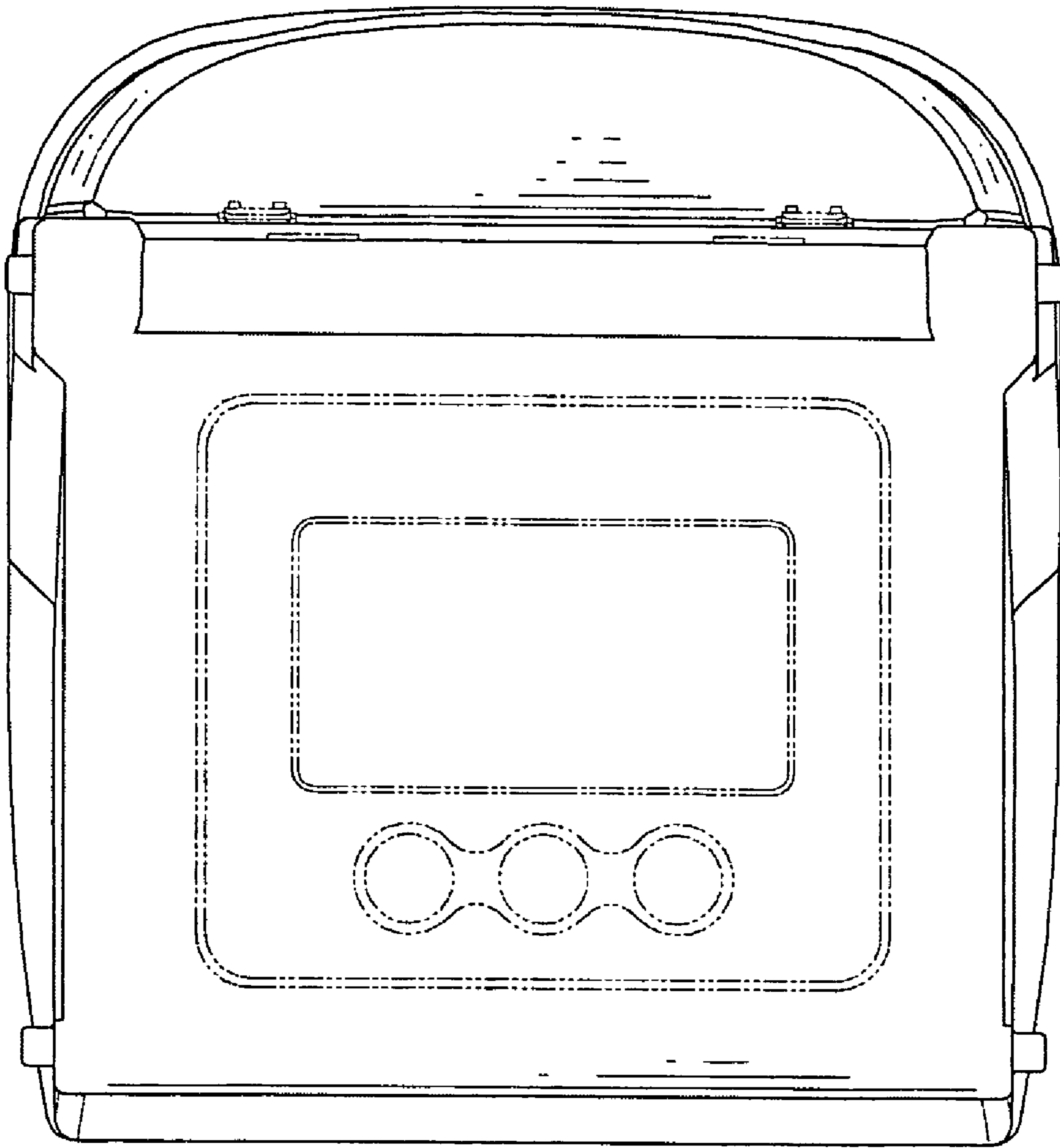


FIG. 7

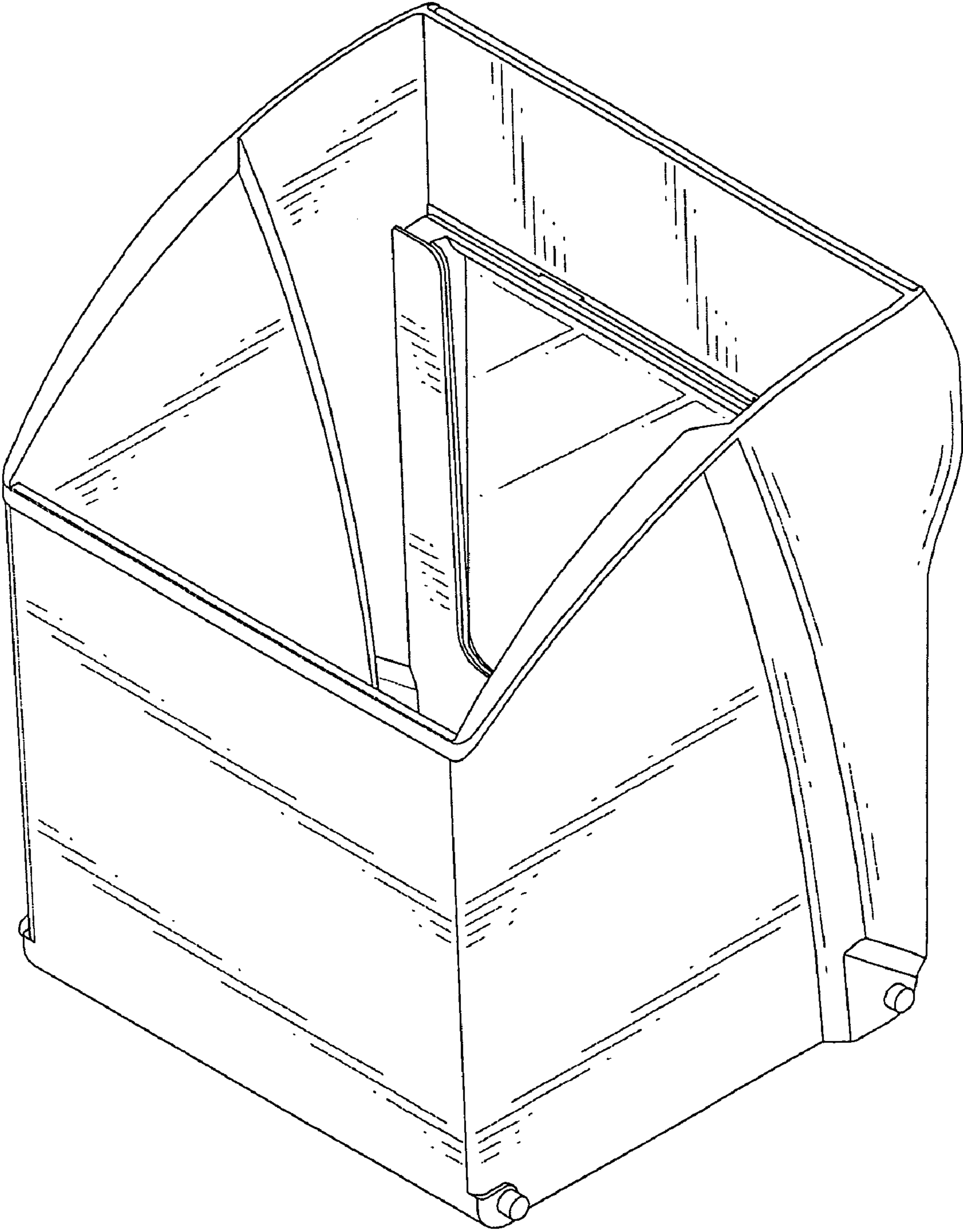


FIG. 8

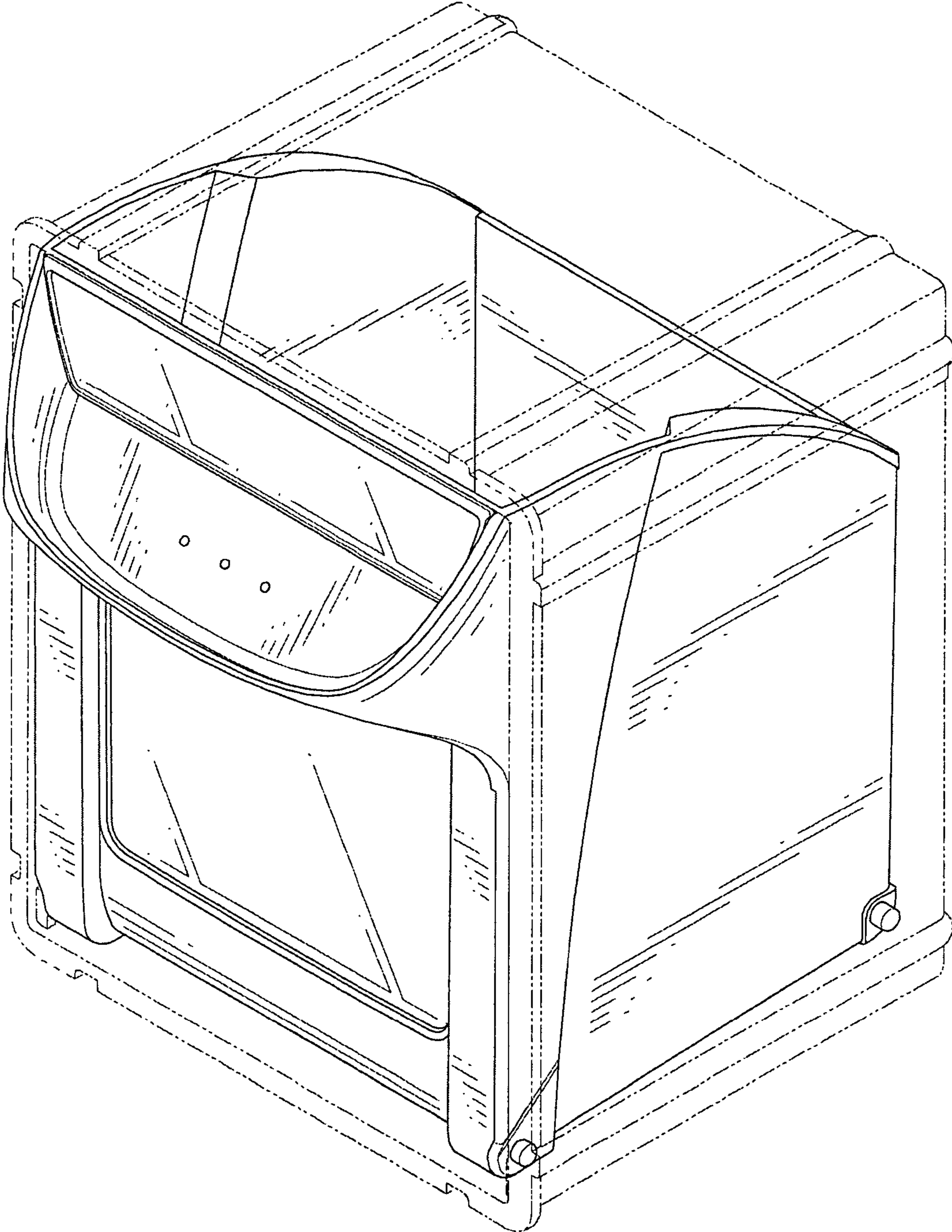


FIG. 9

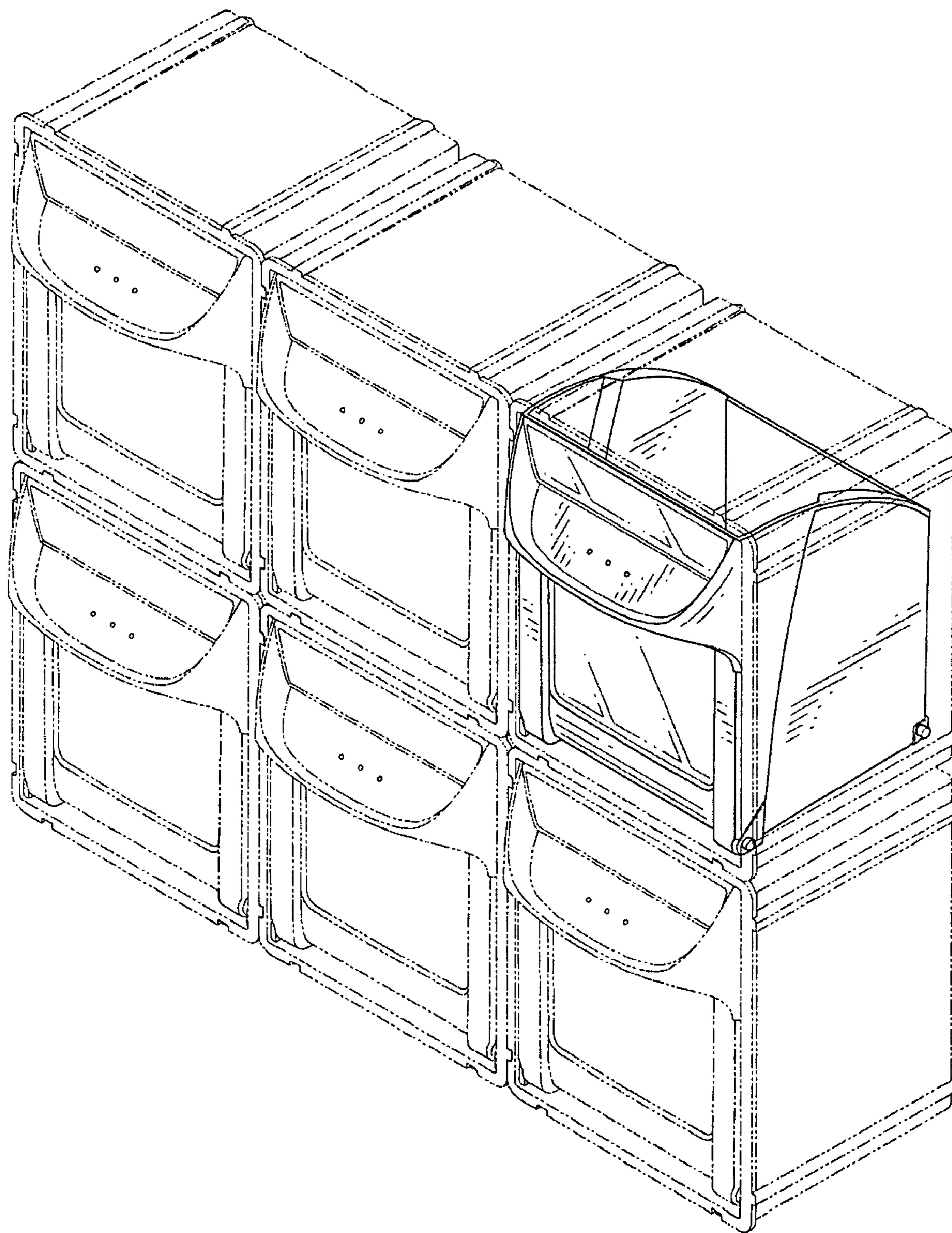


FIG. 10