

US00D605855S

(12) **United States Design Patent**
Boehnlein

(10) **Patent No.:** **US D605,855 S**

(45) **Date of Patent:** **** Dec. 15, 2009**

(54) **CABLE MANAGEMENT BAG**

(75) Inventor: **Larry Boehnlein**, Chardon, OH (US)

(73) Assignee: **Lincoln Global, Inc.**, City of Industry, CA (US)

(**) Term: **14 Years**

(21) Appl. No.: **29/325,258**

(22) Filed: **Sep. 29, 2008**

(51) **LOC (9) Cl.** **03-01**

(52) **U.S. Cl.** **D3/303; D3/319**

(58) **Field of Classification Search** D3/215,
D3/218–219, 221, 224, 226, 229, 254, 303,
D3/315, 318–319, 321, 904; D12/416, 422;
224/674, 683

See application file for complete search history.

(56) **References Cited**

U.S. PATENT DOCUMENTS

3,747,776	A *	7/1973	Gross	206/527
D247,327	S *	2/1978	Tracy	D12/416
D260,323	S *	8/1981	Johnson	D6/407
5,031,808	A *	7/1991	Dolenc	224/482
5,135,144	A *	8/1992	Blakely et al.	224/240
D350,849	S *	9/1994	Dancyger	D3/228
D368,982	S *	4/1996	Black	D28/38
D372,145	S *	7/1996	Elmer	D6/475
D373,241	S *	9/1996	Chavez et al.	D3/218
D375,197	S *	11/1996	Laherty	D3/218
D418,119	S *	12/1999	Rowell	D3/218

(Continued)

OTHER PUBLICATIONS

Miller Catalog, Issued Oct. 2008 • Index No. EDX/10.11, Millermatic® Passport® Plus #907 401; p. 6.
Klein Tools, 2008 Tool Catalog, Issue #151, Canvas Utility Bag #5142, p. 148 and Canvas Tool Bag #5102, p. 164.

Primary Examiner—Philip S Hyder
Assistant Examiner—Roselynn Cody

(74) *Attorney, Agent, or Firm*—Hahn Loeser & Parks, LLP; Timothy D. Smith

(57) **CLAIM**

The ornamental design for a cable management bag, as shown and described.

DESCRIPTION

FIG. 1 is a front view of a first embodiment of the cable management bag;

FIG. 2 is a side view of thereof, the right and left side views being mirror images;

FIG. 3 is a top view thereof;

FIG. 4 is a perspective view thereof shown in a condition of use;

FIG. 5 is a perspective view thereof shown in another condition of use;

FIG. 6 is a front view of a second embodiment of the cable management bag;

FIG. 7 is a perspective view thereof shown in a condition of use;

FIG. 8 is a front view of a third embodiment of the cable management bag;

FIG. 9 is a perspective view thereof shown in a condition of use;

FIG. 10 is a front view of a fourth embodiment of the cable management bag;

FIG. 11 is a perspective view thereof shown in a condition of use;

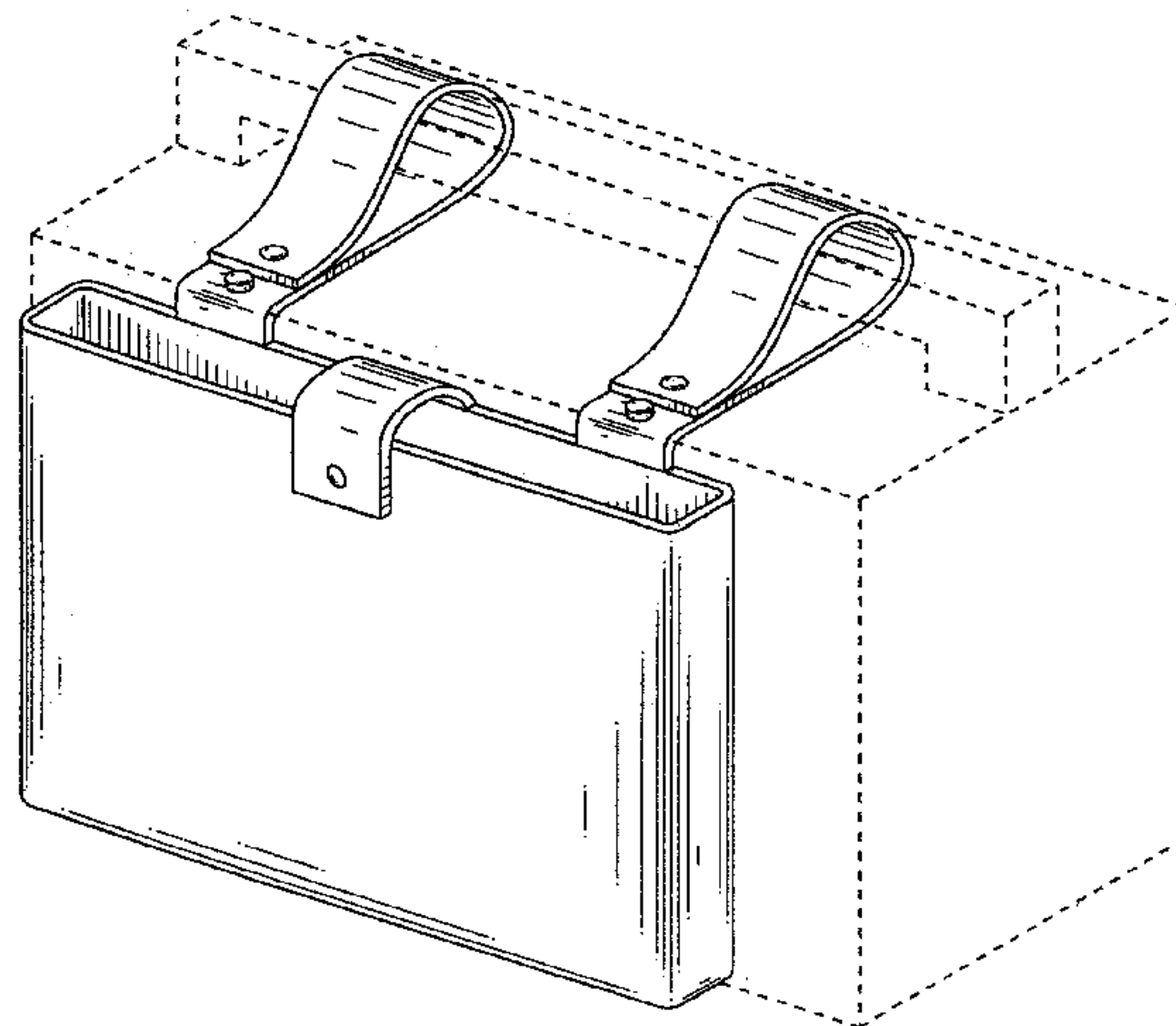
FIG. 12 is a front view of a fifth embodiment of the cable management bag;

FIG. 13 is a side view thereof, the right and left side views being mirror images; and,

FIG. 14 is a top view thereof.

The broken lines in the figures illustrate environment and form no part of the claimed design.

1 Claim, 12 Drawing Sheets



US D605,855 S

Page 2

U.S. PATENT DOCUMENTS

D418,679 S *	1/2000	Chiapperini, Jr.	D3/303	D511,890 S *	11/2005	Burns	D3/226
D465,646 S *	11/2002	Hendrickson	D3/218	D515,310 S *	2/2006	Liu et al.	D3/218
D474,017 S *	5/2003	Burns	D3/226	D543,022 S *	5/2007	Alon et al.	D3/218
D476,149 S *	6/2003	Andre et al.	D3/218	D548,456 S *	8/2007	Garnett	D3/218
6,726,076 B1 *	4/2004	Hernandez	224/675	D561,463 S *	2/2008	Malhotra et al.	D3/218
D489,179 S *	5/2004	Ho	D3/303	D589,699 S *	4/2009	Silvera	D3/218
D496,785 S *	10/2004	Hussaini et al.	D3/218	2007/0062997 A1 *	3/2007	Turner	224/683

* cited by examiner

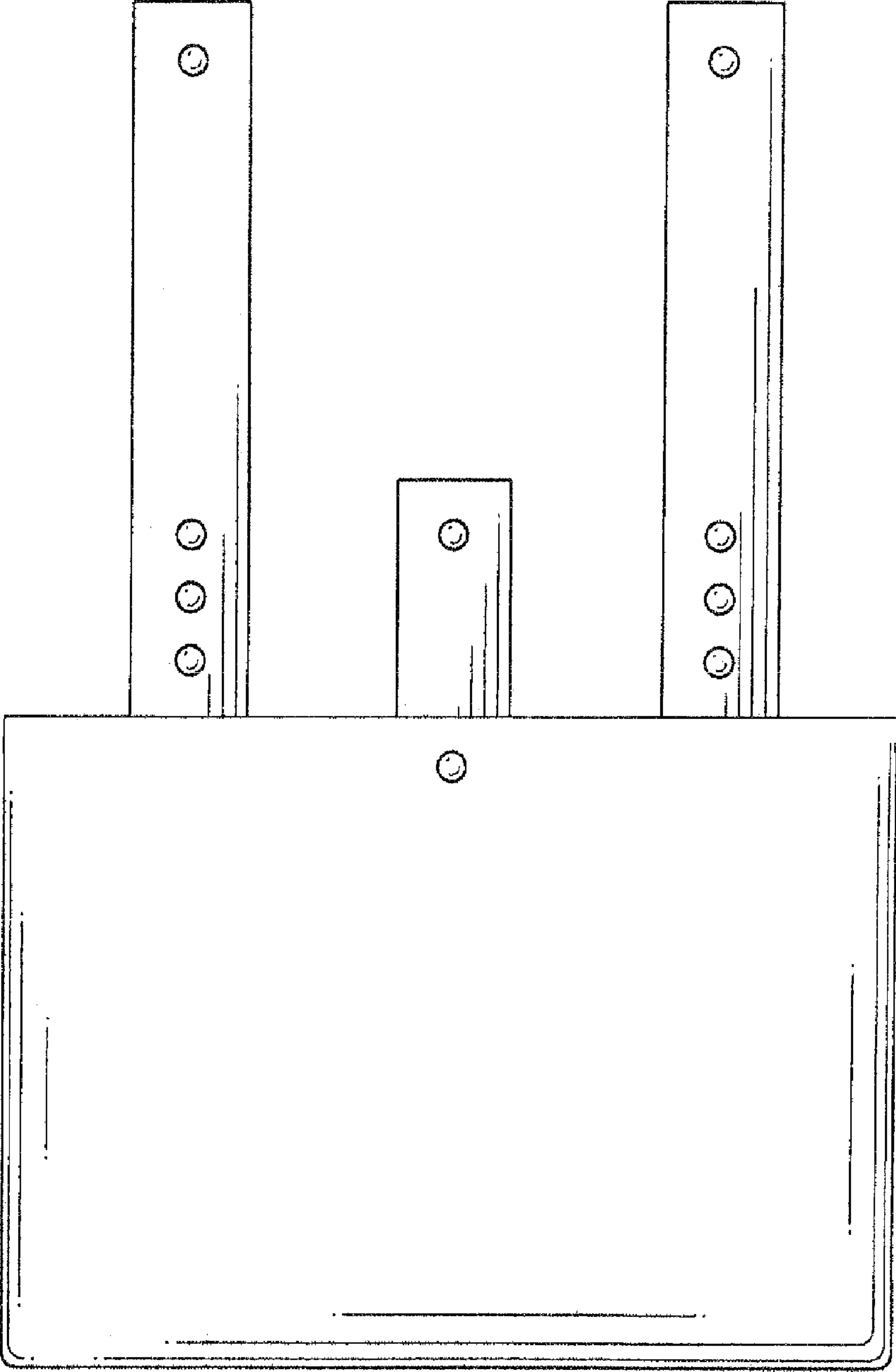


FIG. 1

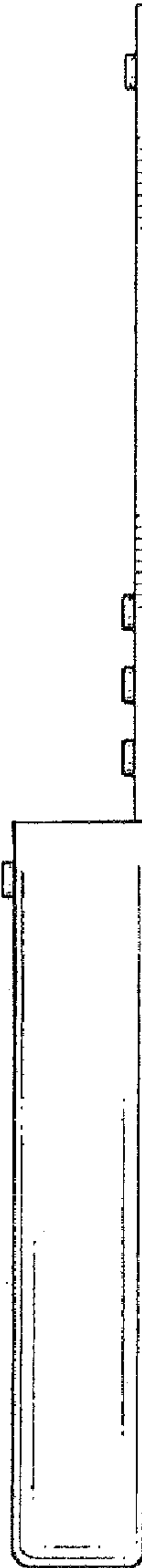


FIG. 2

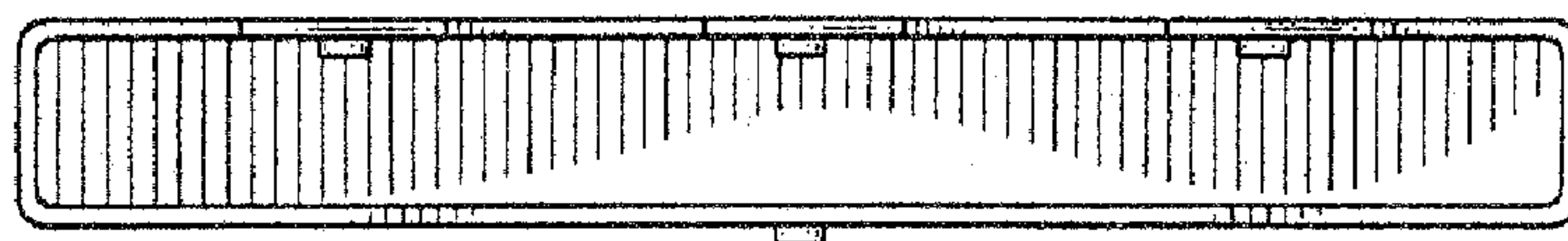


FIG. 3

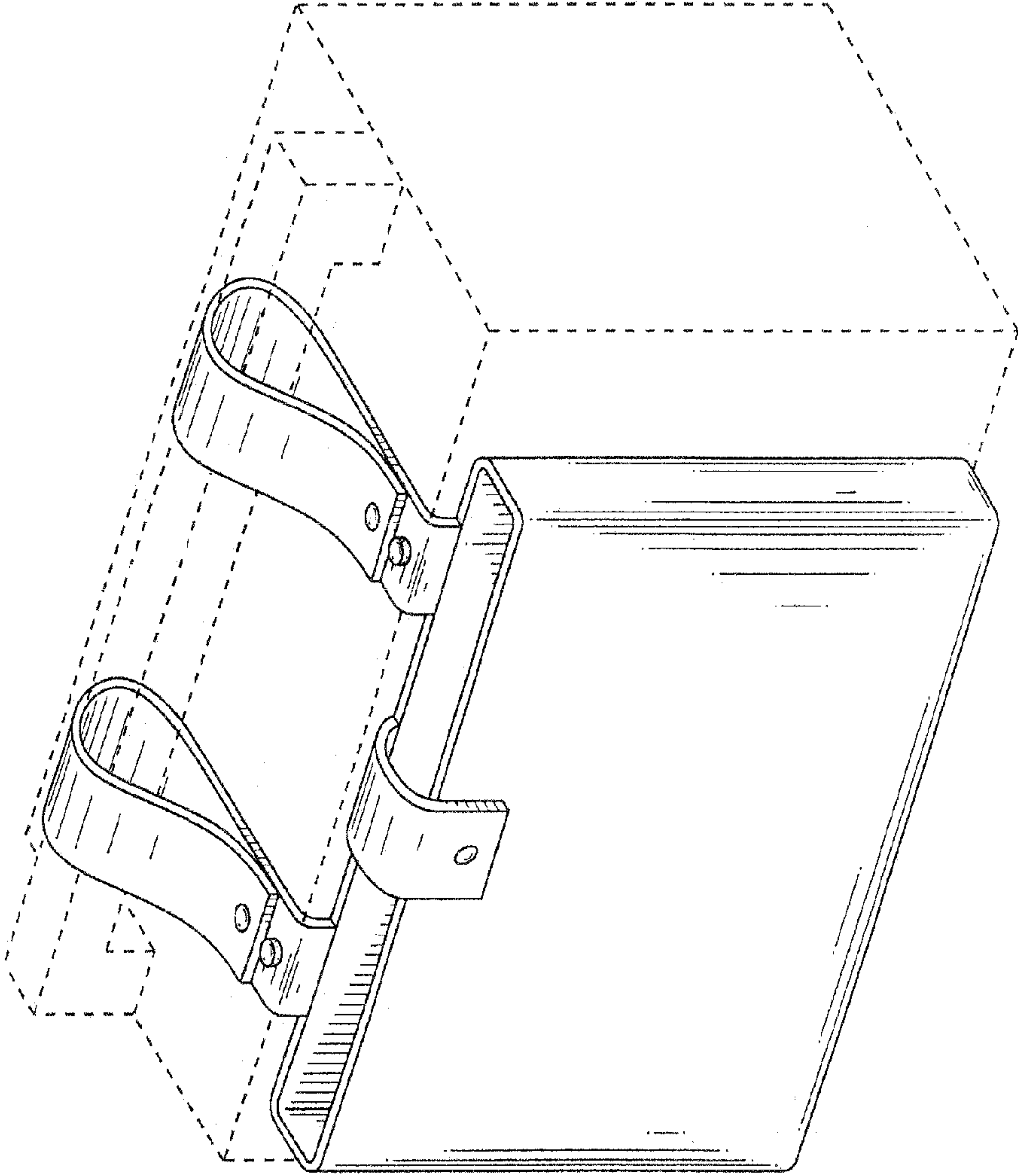


FIG. 4

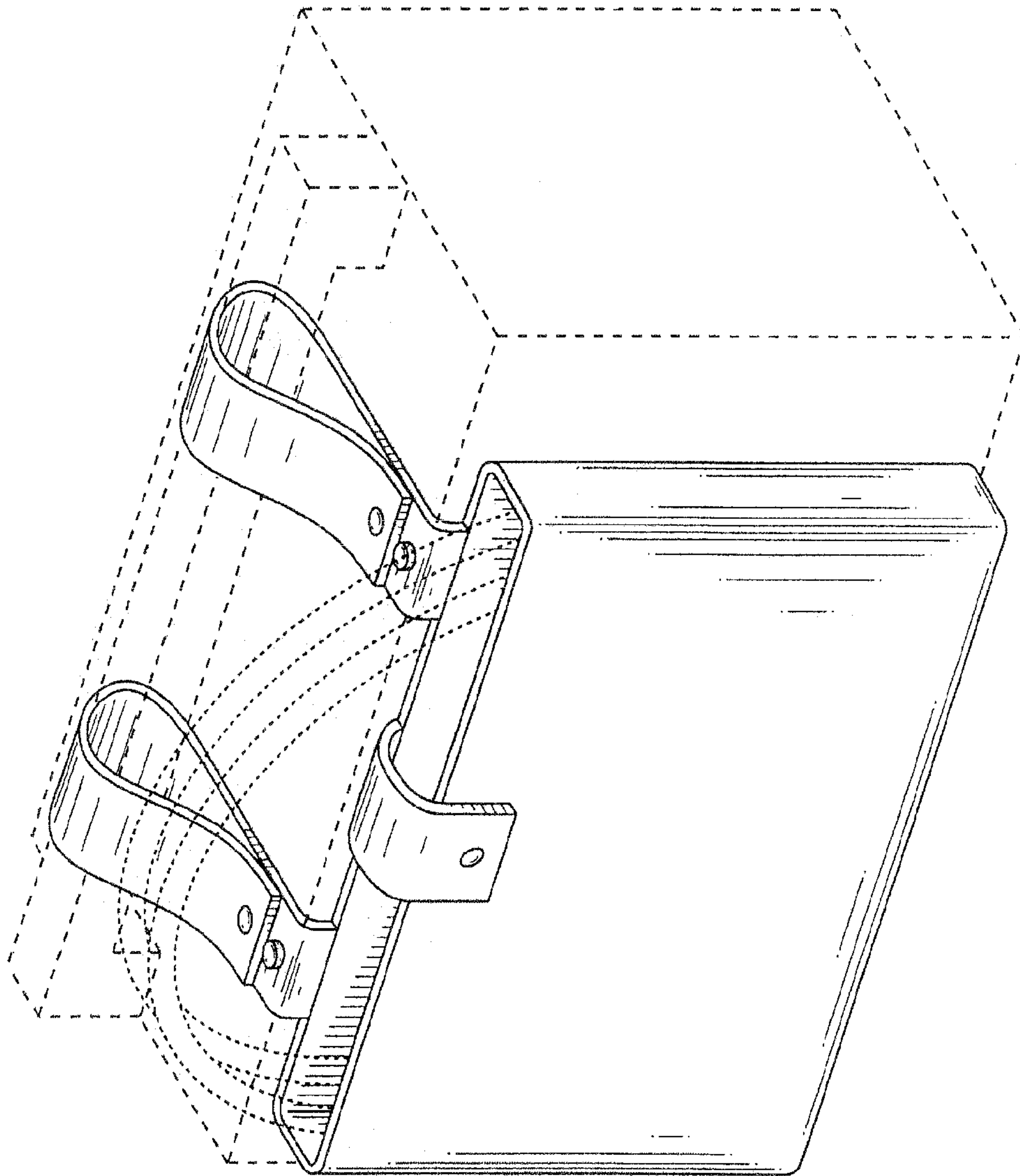


FIG. 5

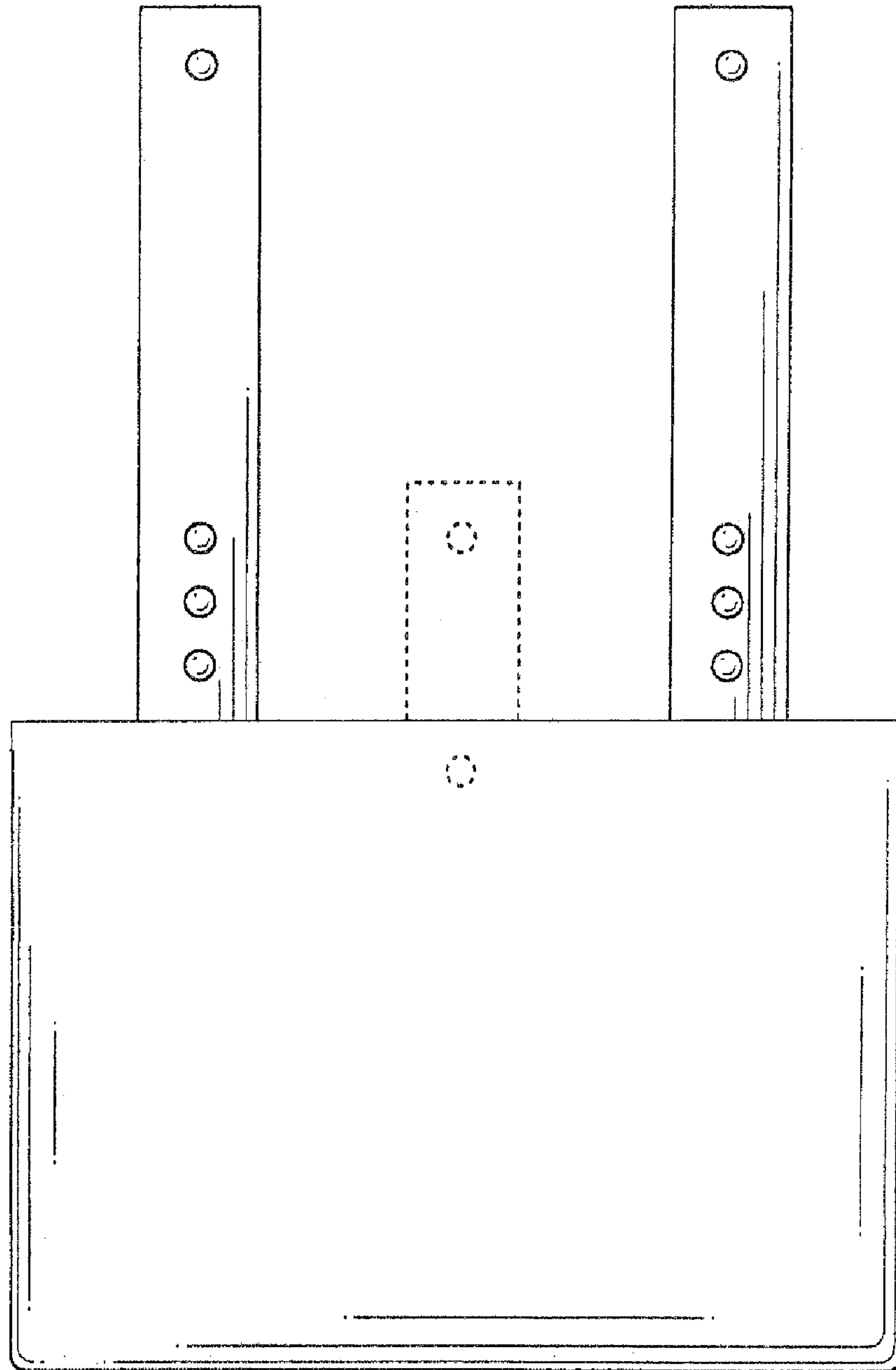


FIG. 6

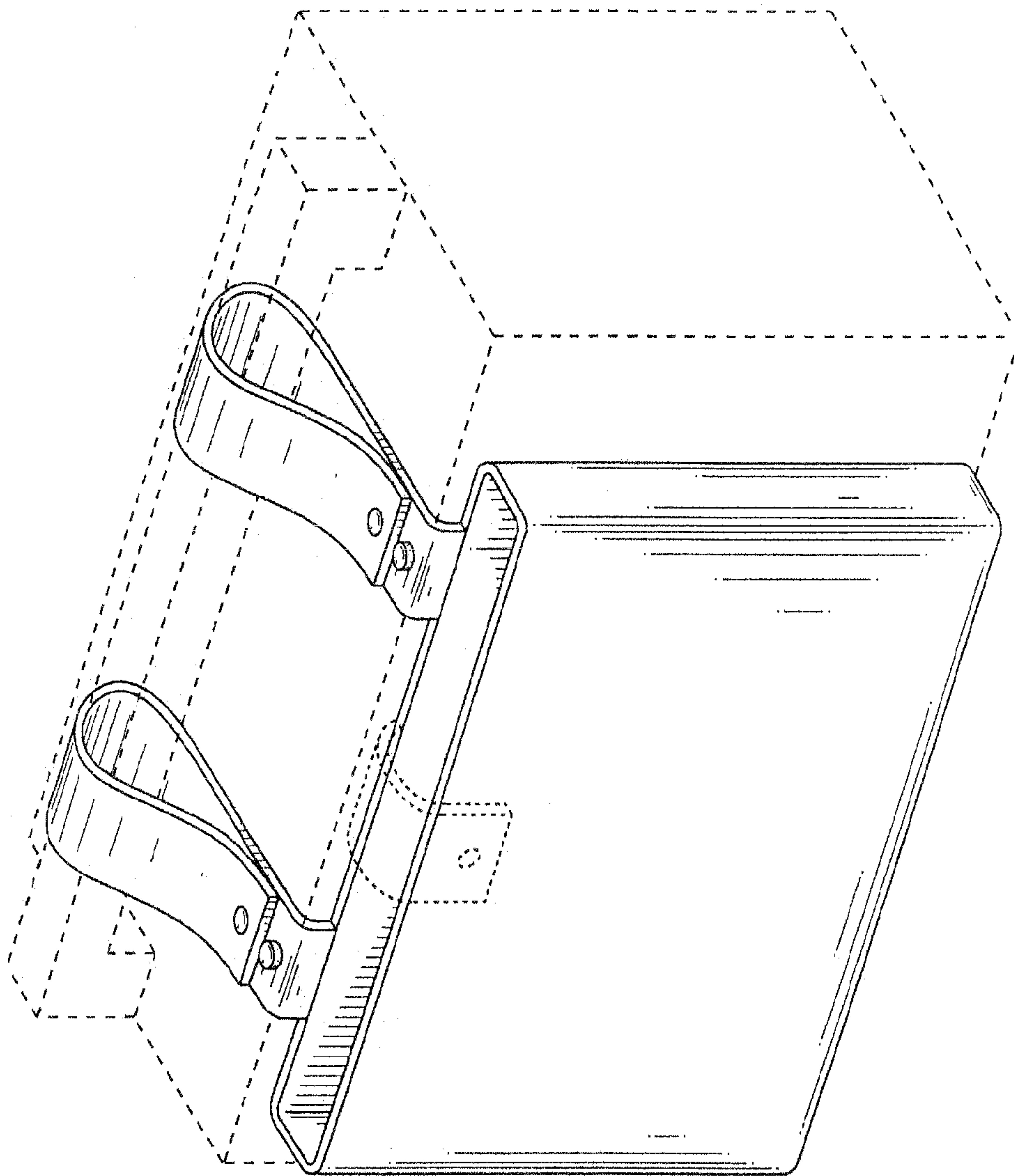


FIG. 7

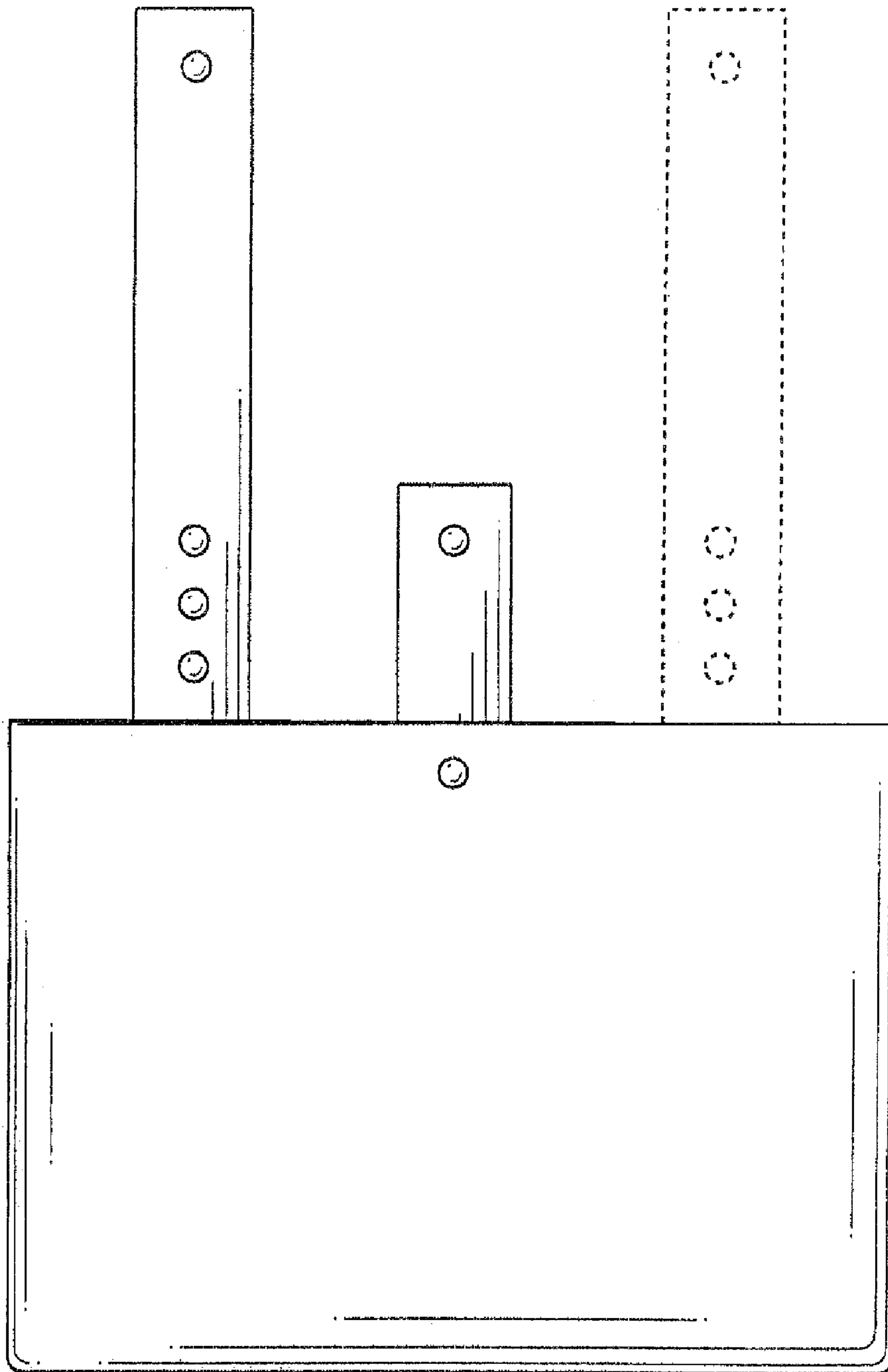


FIG. 8

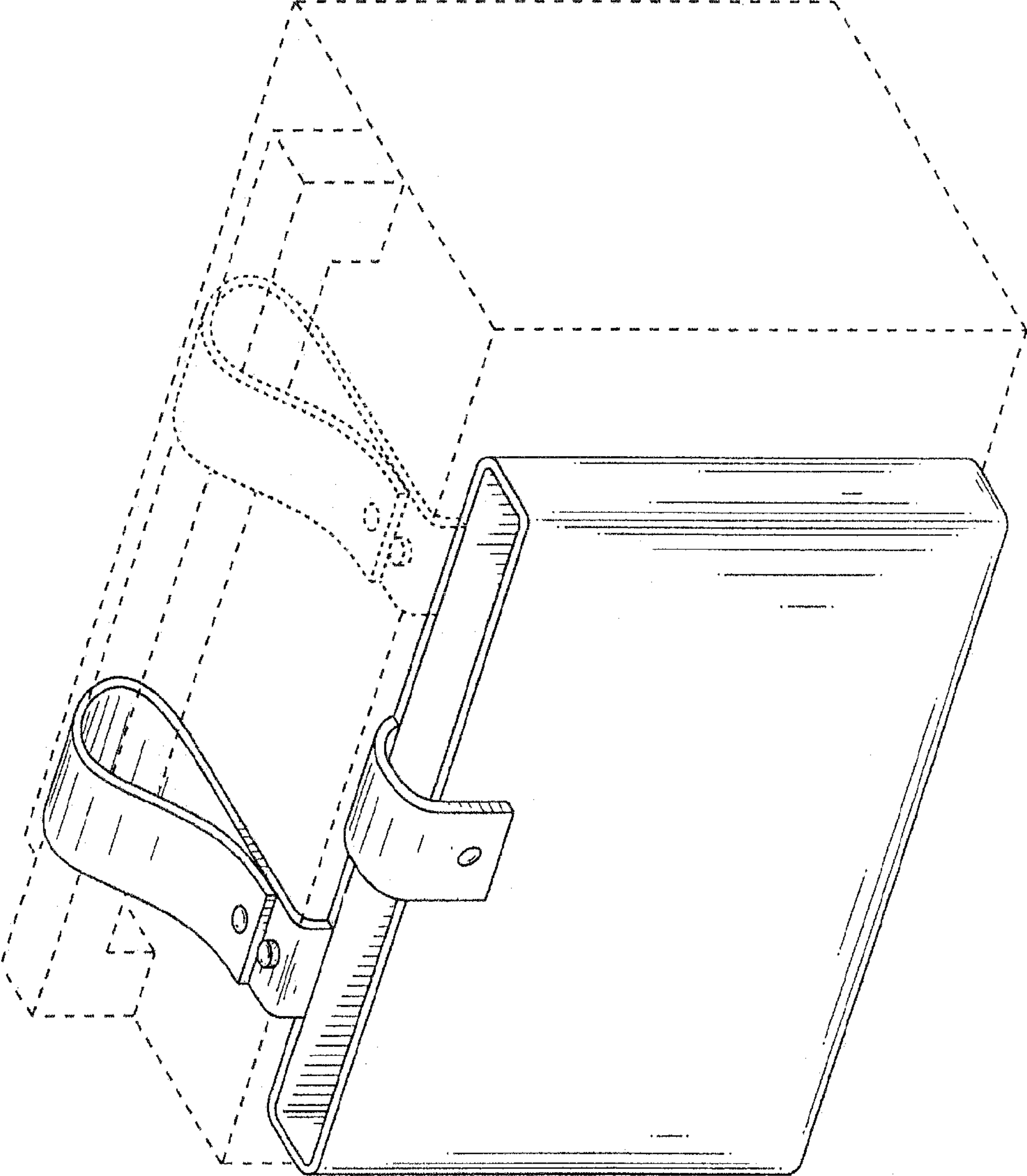


FIG. 9

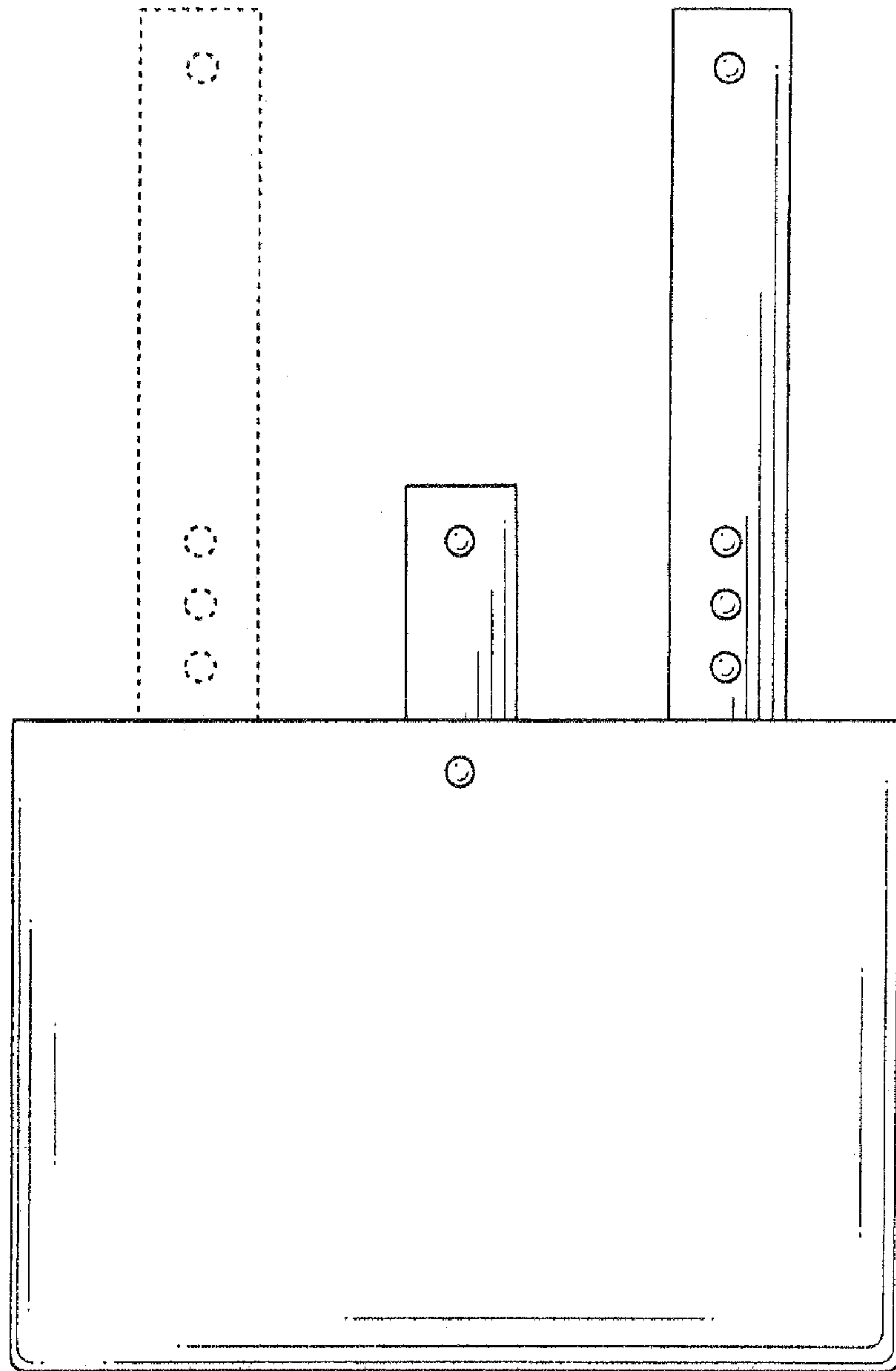


FIG. 10

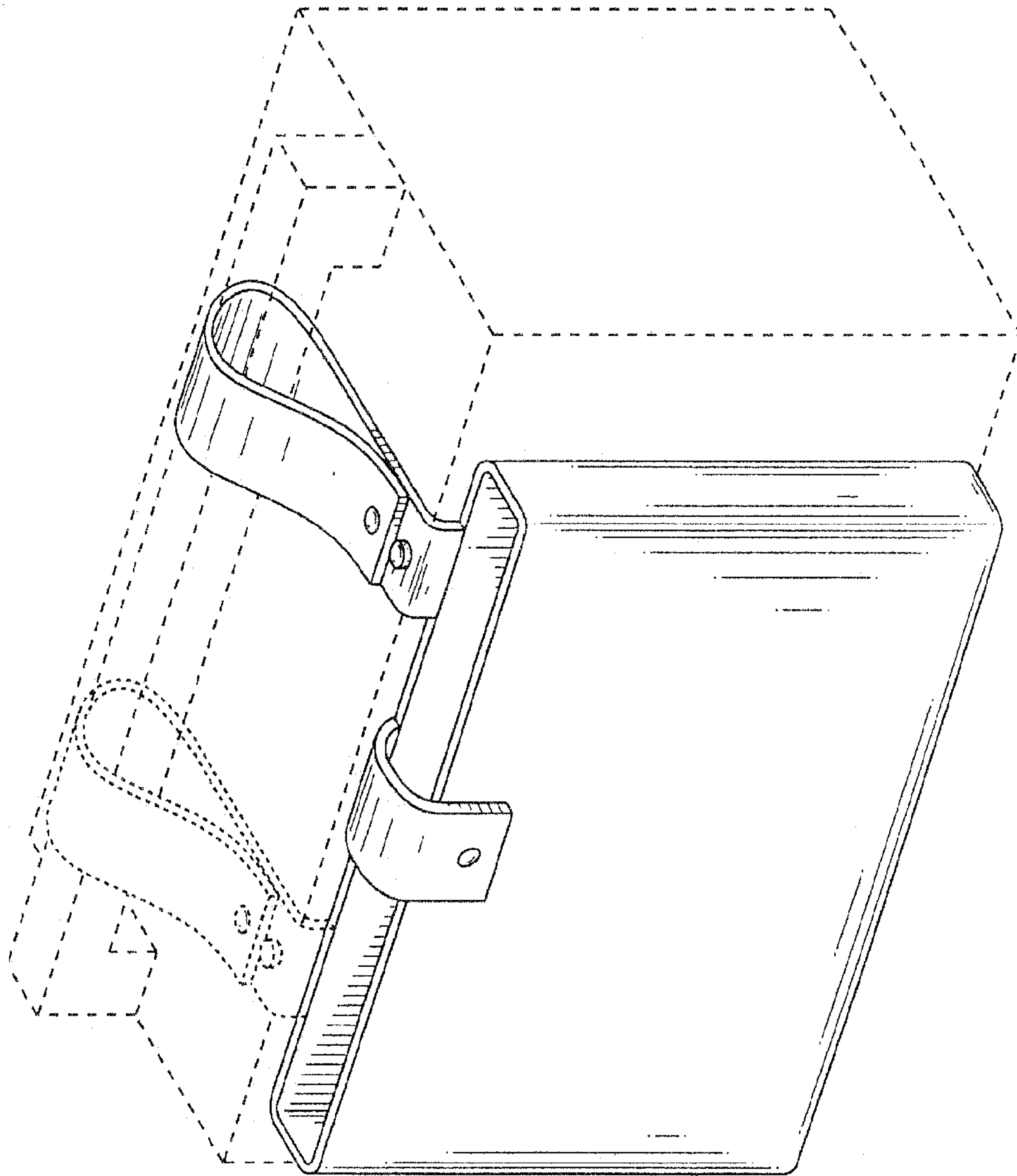


FIG. 11

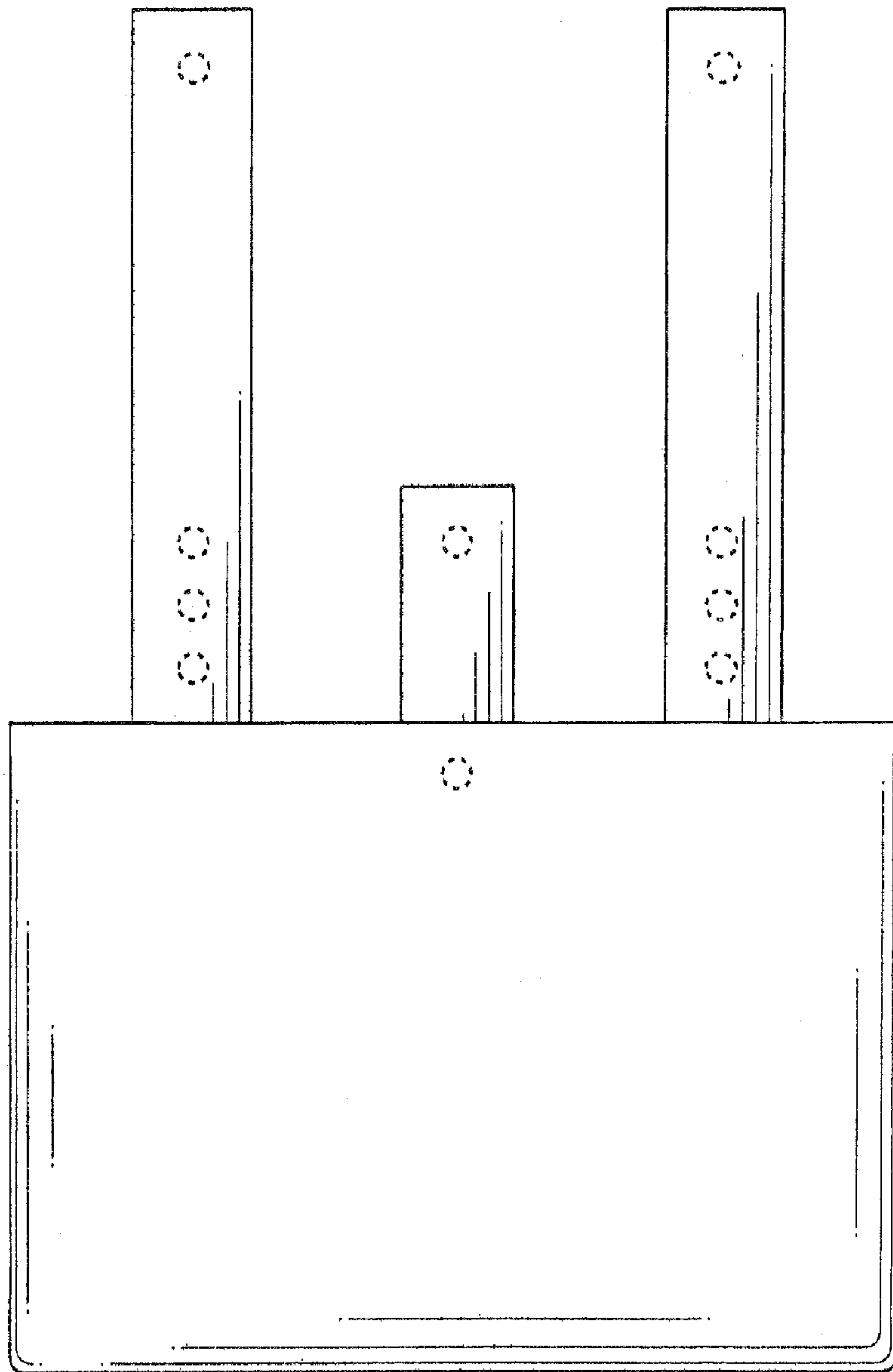


FIG. 12

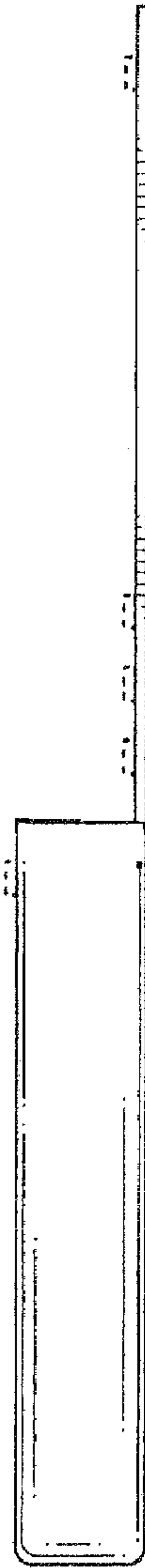


FIG. 13

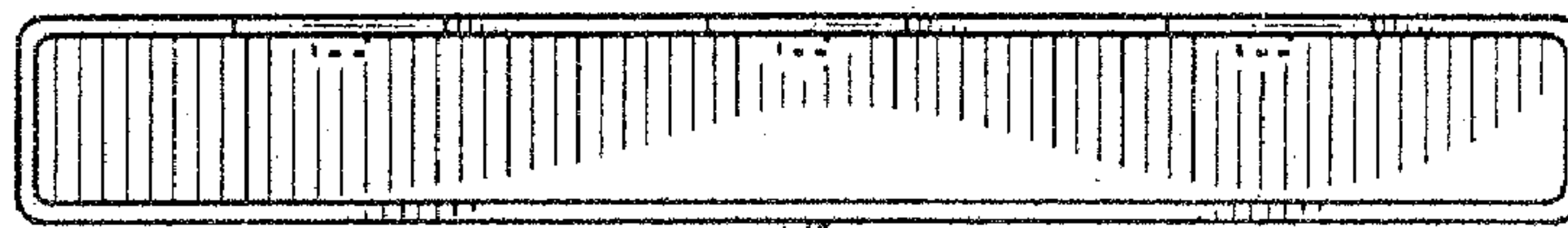


FIG. 14