



US00D605854S

(12) **United States Design Patent**
Gracer et al.

(10) **Patent No.:** **US D605,854 S**
(45) **Date of Patent:** **** Dec. 15, 2009**

(54) **COMPUTER PROTECTION AND CARRYING CASE**

DESCRIPTION

(75) Inventors: **Zoran Gracer**, Deerfield, IL (US);
Donald E. Godshaw, Wilmette, IL (US)

(73) Assignee: **Travel Caddy, Inc.**, Elk Grove Village, IL (US)

(**) Term: **14 Years**

(21) Appl. No.: **29/328,239**

(22) Filed: **Nov. 20, 2008**

(51) **LOC (9) Cl.** **03-01**

(52) **U.S. Cl.** **D3/289; D3/297; D3/900**

(58) **Field of Classification Search** D3/203.1,
D3/203.6, 233, 273–274, 276, 283–284, 286–287,
D3/289, 297, 900; D14/439, 440; 150/113;
190/100, 102, 109–111, 115, 900, 903; 206/320
See application file for complete search history.

(56) **References Cited**

U.S. PATENT DOCUMENTS

1,755,548 A 4/1930 Lowe

(Continued)

OTHER PUBLICATIONS

Checkable Case, Model No. 3311, Retrieved from <http://www.brenthaven.com/catalog-checkable-case.html> on Jan. 20, 2009.

(Continued)

Primary Examiner—Philip S Hyder

Assistant Examiner—Roselynn Cody

(74) *Attorney, Agent, or Firm*—Fitch, Even, Tabin & Flannery

(57) **CLAIM**

The ornamental design for a computer protection and carrying case, as shown and described.

FIG. 1 is an isometric view of the computer case of the invention in a closed condition;

FIG. 2 is a first side elevation of the case depicted in FIG. 1; FIG. 3 is an end elevation of the right side end view of the case depicted in FIG. 1;

FIG. 4 is a backside elevation of the case depicted in FIG. 1; FIG. 5 is an end elevation of the left side end of the case depicted in FIG. 1;

FIG. 6 is a top plan view of the case depicted in FIG. 1;

FIG. 7 is a bottom side view of the case depicted in FIG. 1;

FIG. 8 is an isometric view of the case depicted in FIG. 1 with an internal computer sleeve partially withdrawn from a zippered medial opening in the top side of the case;

FIG. 9 is an isometric view of the case depicted in FIG. 2 with the internal computer sleeve fully withdrawn through the zippered opening in the top side of the case and having the sleeve connected to a flexible tether and wherein the sleeve includes one side comprising a transparent mesh;

FIG. 10 is an isometric view wherein the interior pull out case is depicted with the tether extended from the interior of the case of FIG. 1, that case being shown in cutaway;

FIG. 11 is a lateral side elevation of the interior pull out case;

FIG. 12 is a top side elevation of the interior pull out case;

FIG. 13 is a lateral side view opposite to the side of FIG. 11 of the interior pull out case;

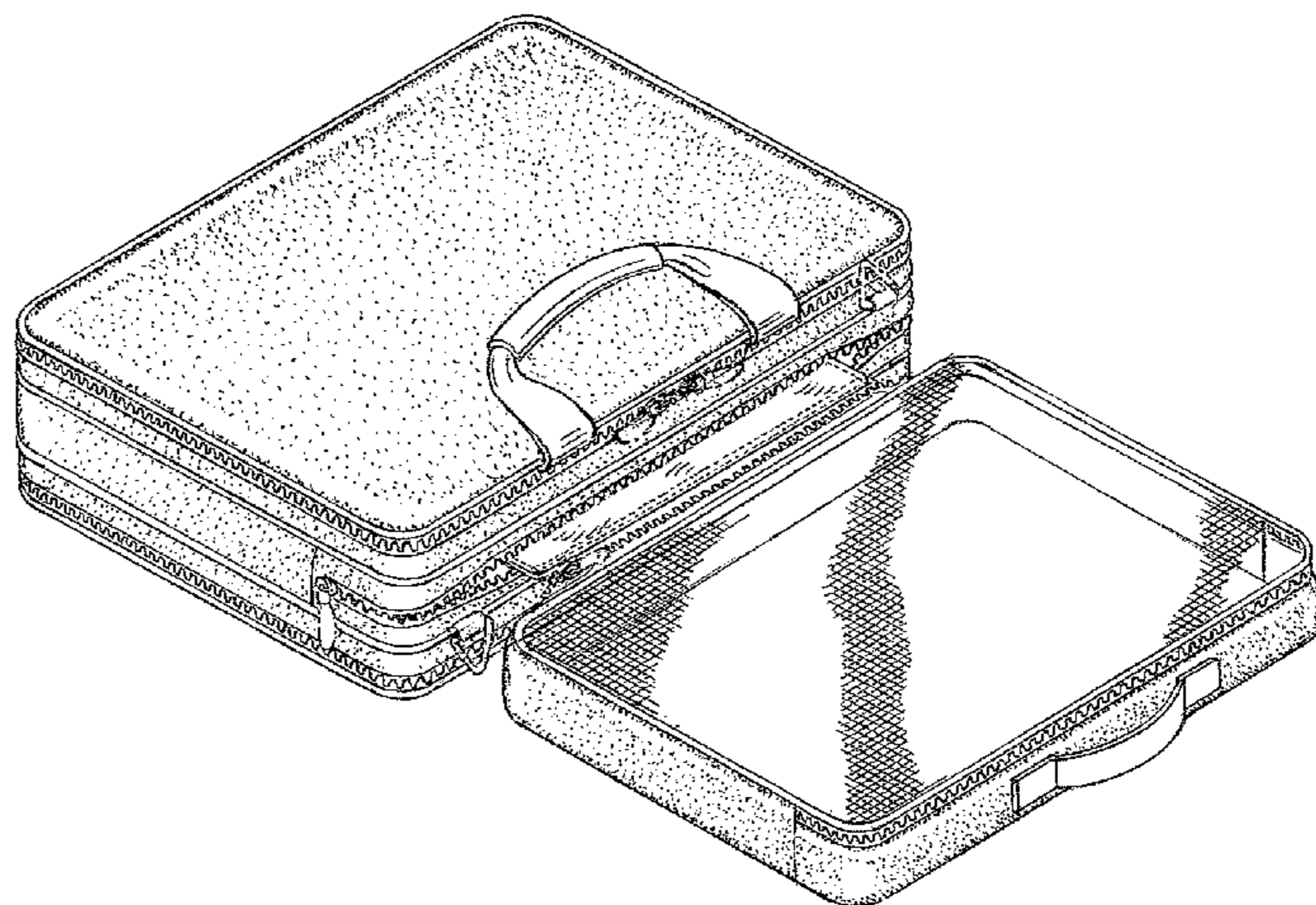
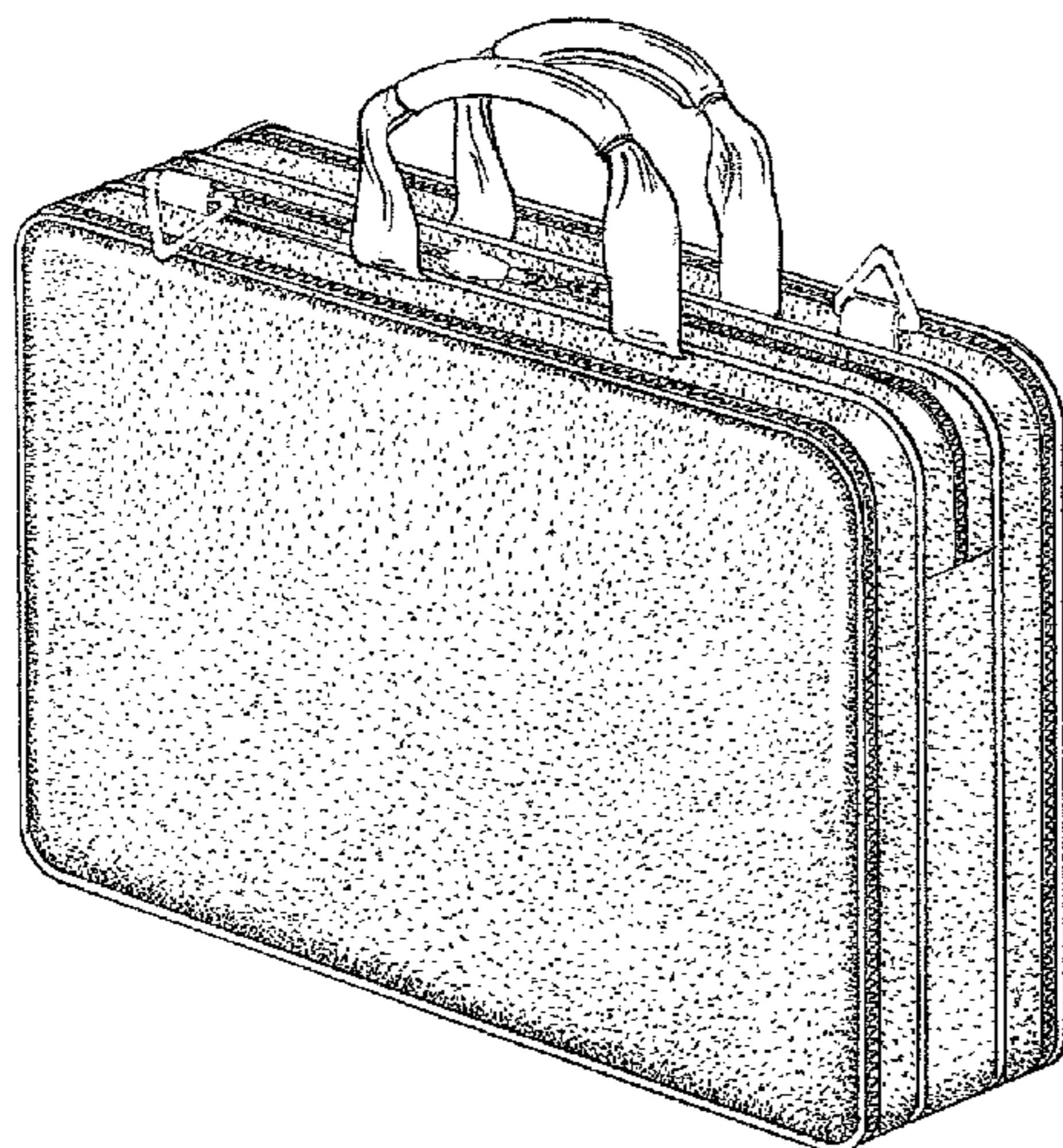
FIG. 14 is a bottom side view of the interior pull out case opposite the top side elevation of FIG. 12;

FIG. 15 is a bottom side view of the computer pull out; and,

FIG. 16 is an isometric view of the case depicted in FIG. 9 with an alternate internal computer sleeve fully withdrawn wherein the sleeve includes one side with a transparent side.

The phantom lines in FIGS. 1–10 and 16 illustrate environment and form no part of the claimed design.

1 Claim, 6 Drawing Sheets



U.S. PATENT DOCUMENTS

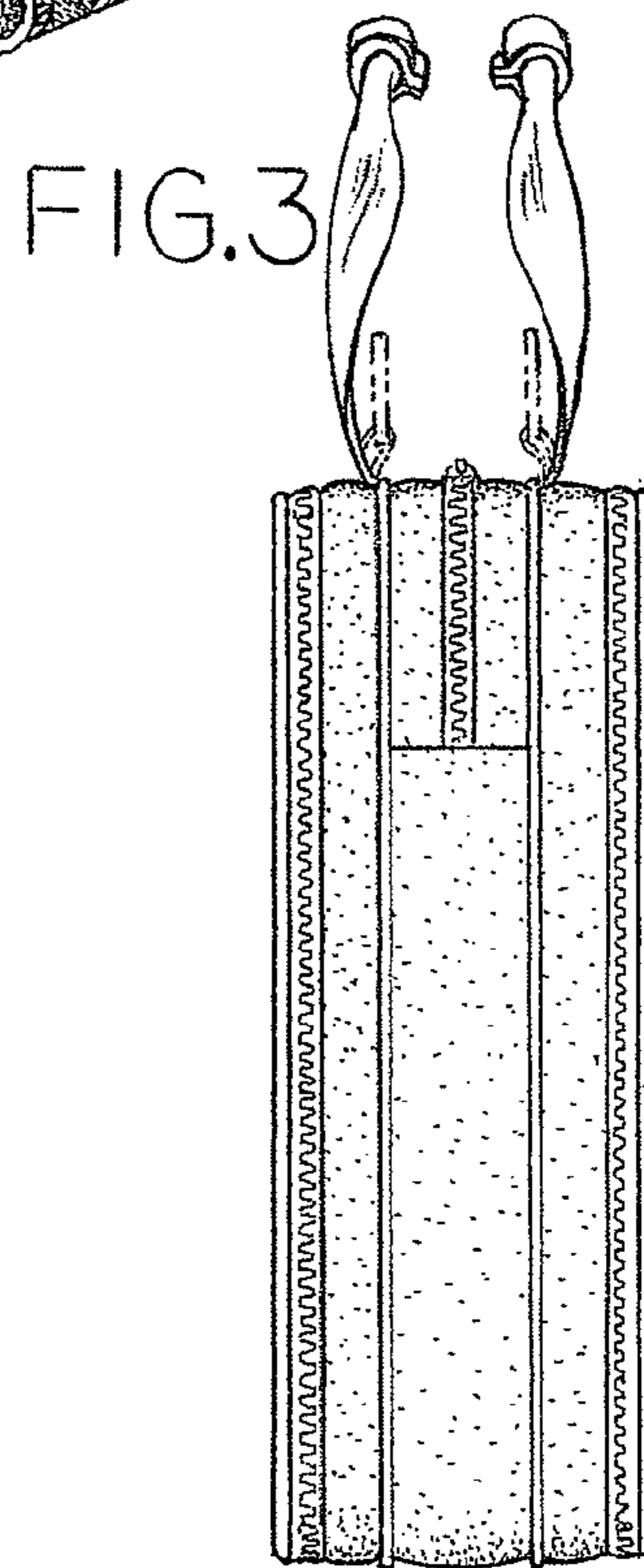
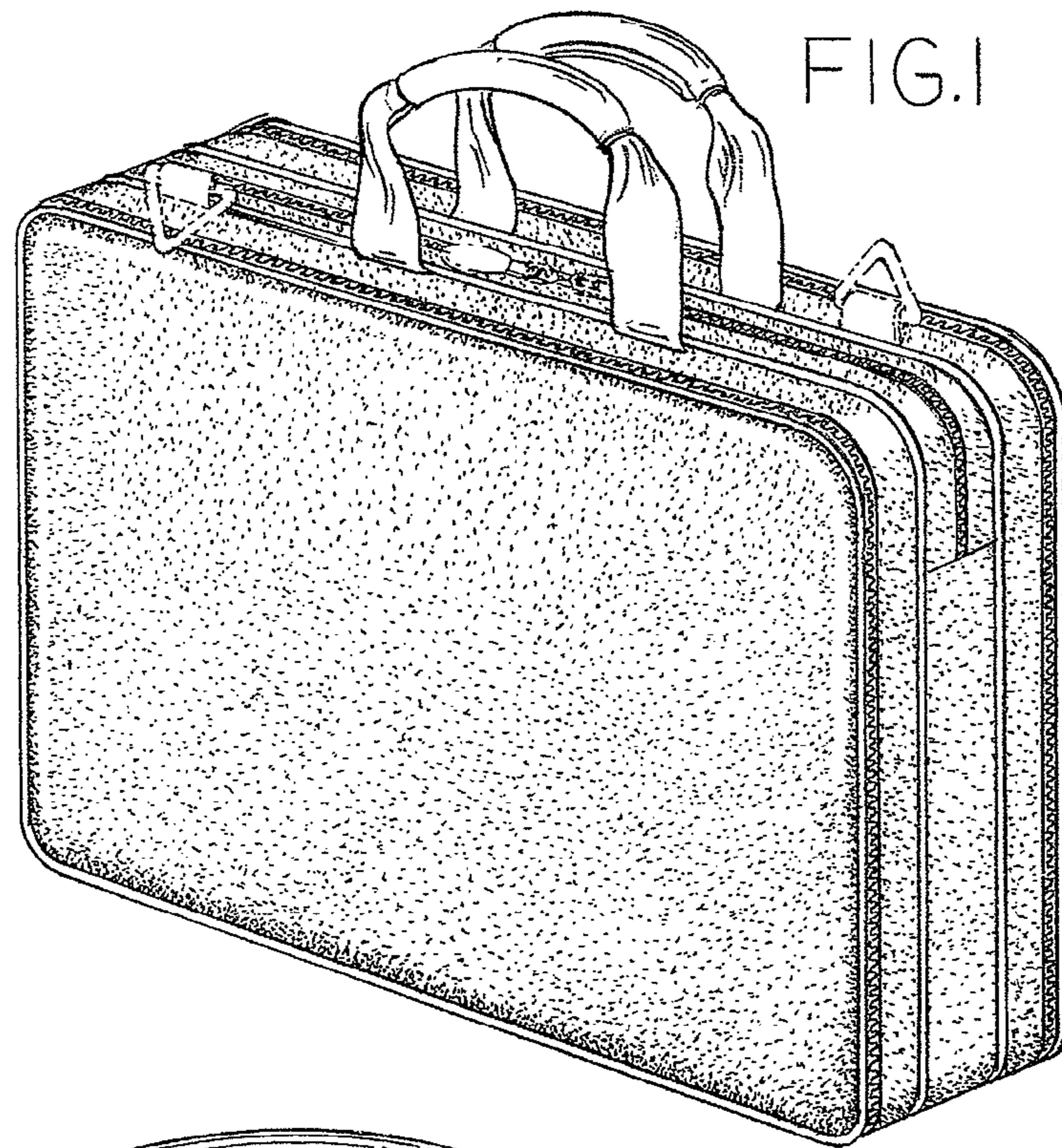
2,463,993	A *	3/1949	Meyers	150/113
2,555,778	A *	6/1951	Blume	190/110
2,801,666	A *	8/1957	Steele	150/113
3,081,807	A	3/1963	Lightburn	
D284,527	S	7/1986	Davis	
D284,623	S *	7/1986	Gerch	D3/274
4,887,751	A *	12/1989	Lehman	224/579
D316,482	S *	4/1991	Boitani	D3/284
D323,743	S	2/1992	DiSessa et al.	
D324,453	S	3/1992	DiSessa et al.	
D335,030	S	4/1993	Alfonso	
D338,104	S	8/1993	Lee	
D344,074	S	2/1994	Collins	
D346,901	S	5/1994	Dulka et al.	
5,377,794	A	1/1995	Book	
5,395,023	A	3/1995	Naymark et al.	
D358,482	S *	5/1995	Taguchi et al.	D3/273
D358,483	S	5/1995	Cross et al.	
5,423,404	A *	6/1995	Shaw	190/102
D360,075	S	7/1995	Cross et al.	
5,445,266	A	8/1995	Prete et al.	
D367,166	S	2/1996	Hettenbach	
D376,045	S *	12/1996	Bernstein et al.	D3/287
5,607,054	A	3/1997	Hollingsworth	
D380,612	S	7/1997	Kelley et al.	
5,797,529	A	8/1998	Lavine	
5,873,504	A *	2/1999	Farmer	224/576
5,887,723	A	3/1999	Myles et al.	
5,887,777	A *	3/1999	Myles et al.	224/578
D435,343	S *	12/2000	Eskandry	D3/284
D437,115	S	2/2001	Hillman	
D439,743	S *	4/2001	DeVance	D3/297
D441,190	S *	5/2001	Eskandry	D3/289
D445,252	S *	7/2001	Klamm	D3/289
6,296,094	B1	10/2001	Knecht	
6,318,552	B1	11/2001	Godshaw	
D464,197	S *	10/2002	Kegels	D3/289
6,460,668	B1	10/2002	Godshaw et al.	
6,604,618	B1	8/2003	Godshaw et al.	
6,695,107	B2	2/2004	Godshaw et al.	
D500,597	S	1/2005	Hillman	
7,004,295	B2	2/2006	Godshaw et al.	
7,147,089	B2	12/2006	Godshaw et al.	
D548,967	S	8/2007	Bell	
7,293,635	B2 *	11/2007	Repke et al.	190/109
D581,669	S	12/2008	Sween et al.	
2002/0153216	A1 *	10/2002	Krulik	190/103
2003/0192759	A1	10/2003	Godshaw et al.	
2006/0042896	A1	3/2006	Godshaw et al.	
2006/0049016	A1	3/2006	Godshaw et al.	
2007/0251846	A1 *	11/2007	Brim, III	206/320

OTHER PUBLICATIONS

Slim Computer Brief, No. BB101; Organized Computer Brief, No. BB102; Mini Computer Brief, No. BB103; Expandable Overnighter Computer Brief, No. BB104X; Vertical Computer Brief/Backpack, No. BB107; Computer Messenger Bag, No. BB109; Ultimate Organized Computer Brief, No. BB123; Ultimate Big Screen Computer Brief, No. BB140; Leather Slim Computer Brief, No. LB101; Leather Organized Computer Brief, No. LB102; Compact Rolling Computer Case, No. BR214; Retrieved from http://www.briggs-riley.com/checkpoint_friendly.asp; Retrieved on Jan. 20, 2009. Leather Expandable Overnight Computer Brief, No. LB104X, GoMessenger Bag, No. VB410; Rolling Expandable Computer Case, No. BR212X; Ultimate Rolling Organized Computer Case No. BR222; Rolling Big Screen Computer Case, No. BR260; 13"

Speedthru Computer Sleeve, No. BB901; 15.4" SpeedThru Computer Sleeve, No. BB902; 17" SpeedThru Computer Sleeve, No. PP903; Retrieved from http://www.briggs-riley.com/checkpoint_friendly.asp; Retrieved on Jan. 20, 2009. 15.4" SpeedThru Briefcase No. BB922; 17" SpeedThru Computer Sleeve, No. BB924; Sonic 15.4" SpeedThru Computer Sleeve, No. VB903; Sonic 17" SpeedThru Computer Sleeve, No. VB904; Fuse 20" Carry-On Computer Upright, No. VB420C; Retrieved from http://www.briggs-riley.com/checkpoint_friendly.asp; Retrieved on Jan. 20, 2009. ScanFast Checkpoint Friendly Messenger Bag, No. MESFMB; ScanFast Checkpoint Friendly Briefcase, No. MESFBC; Scan Fast Checkpoint Friendly Backpack No. MESFBP; ScanFast Element Checkpoint Friendly Briefcase, No. MESFEB8; Retrieved from <http://www.modileedge.com/scanfast>; Retrieved on Jan. 20, 2009. ScanFast Element Checkpoint Friendly Briefcase, No. MESFEB9; ScanFast Element Checkpoint Friendly Briefcase, No. MESFEBX; ScanFast Onyx Checkpoint Friendly Briefcase, No. MESFOBC; ScanFast Onyx Checkpoint Friendly Backpack, No. MESFOBP; Retrieved from <http://www.mobileedge.com/scanfast>; Retrieved on Jan. 20, 2009. Checkthrough Messenger; Checkthrough Brief; Duy Skin; Skooba Skin Micro; Skooba Skin 1012; Skooba Skin 1415; Skooba Skin 1617; Retrieved from <http://www.skoobadesign.com/catalog/checkpoint-friendly-bags-288/?ocCsid=5357180038da16e81600b157035d653c>; Retrieved on Jan. 20, 2009. 15.4" Smart Strap Laptop Portfolio Stule DSGL500-4; AlwaysOn CheckFast Sleeve, Style CLA101-4; CheckFast Laptop Clamshell, Style CLA310-4; AlwaysOn CheckFast Sleeve, Style TCB101-4; AlwaysOn CheckFast Sleeve, Style Tcb 102-4; CheckFast Laptop Clamshell, Style TCB310-4; Retrieved from <http://www.solocases.com/cat.aspx?id=7>; Retrieved on Jan. 20, 2009. Targus Zip-Thru 15.4" Corporate Traveler Laptop Case, Item CUCT02UA15S; Targus Zip-Thru 15.4" Air Traveler Laptop Case, Item TBT04401US; Targus Zip-Thru 15.4" Air Traveler Laptop Case, Item TBT044US; Targus Zip-Thru 17" Air Traveler Laptop Case, Item TBT046US; Retrieved from http://www.targus.com/us/cases_laptop_zipthru.asp?utm_source=targus&utm_medium=directMutm_content=homepage&utm_campaign=banner-zipthru; Retrieved on Jan. 20, 2009. Targus Zip-Thru 15.4" Modile Elite Laptop Case, Item TBT045US; Targus Zip-Thru 15.4" Traditional Laptop Case, Item TBCO23US; Retrieved from http://www.targus.com/us/caseslaptopzipthru.asp?utm_source=targus&utm_medium=directMutm_content=homepage&utm_campaign=banner-zipthru; Retrieved on Jan. 20, 2009. Checkpoint Flyer; Retrieved from <http://www.tombihn.com/page/001/PROD/TBP/TB1701>; Retrieved on Jan. 20, 2009. VertiGo; Retrieved from <http://sfbags.com/products/vertigo/vertigo.htm>; Retrieved on Jan. 20, 2009. CheckPoint Friendly CompuBrief, No. 1014; Wheeled Checkpoint Friendly CompuBrief, No. 1018; Retrieved from http://www.pathfinderluggage.com/link_productsicheckpointfriendly.html; Retrieved on Jan. 20, 2009. TurboBag 1-250 Checkpoint Friendly Laptop Bag; Retrieved from <http://www.turbobag.com>; Retrieved on Jan. 20, 2009. Aerovation Cpf Laptop Bag; Retrieved from <http://www.aerovation.com>; Retrieved on Jan. 20, 2009. CODi Phantom CT3 Checkpoint Tested Laptop Bag; Retrieved from http://www.ebags.com/codi/brand_search/index.cfm?brandid=10609; Retrieved on Jan. 20, 2009. QuickCheck "Check Point Friendly" Notebook Carrying Case for MacBook Air, Item No. MACBOOK_AIR_IM-200; Retrieved from http://www.myinciplo.com/product/MACBOOK_AIR_IM=200QuickCheck_Check_Point_Friendly_Laptop_Can-yingSase.html; Retrieved on Jan. 20, 2009.

* cited by examiner



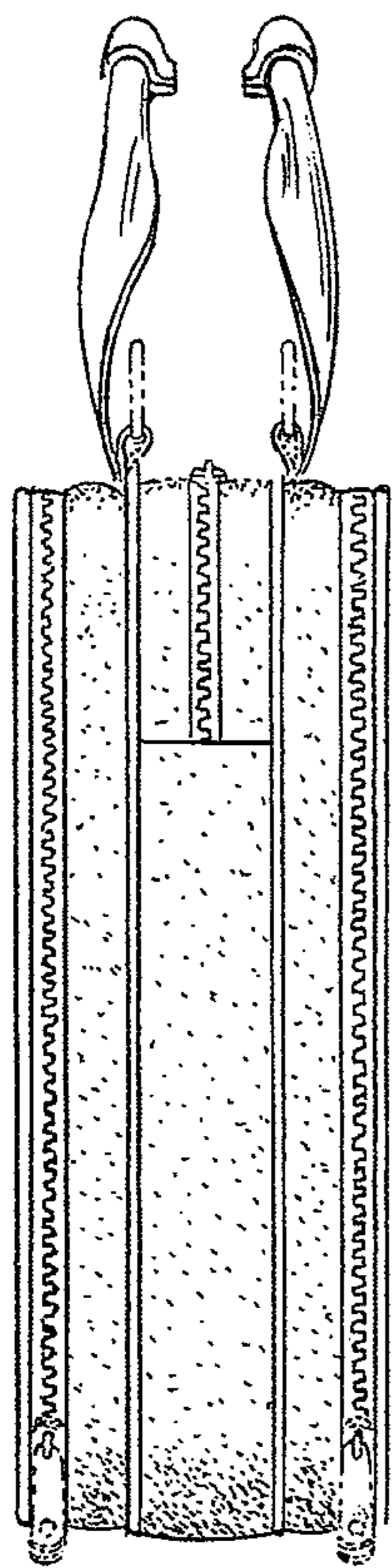


FIG. 5

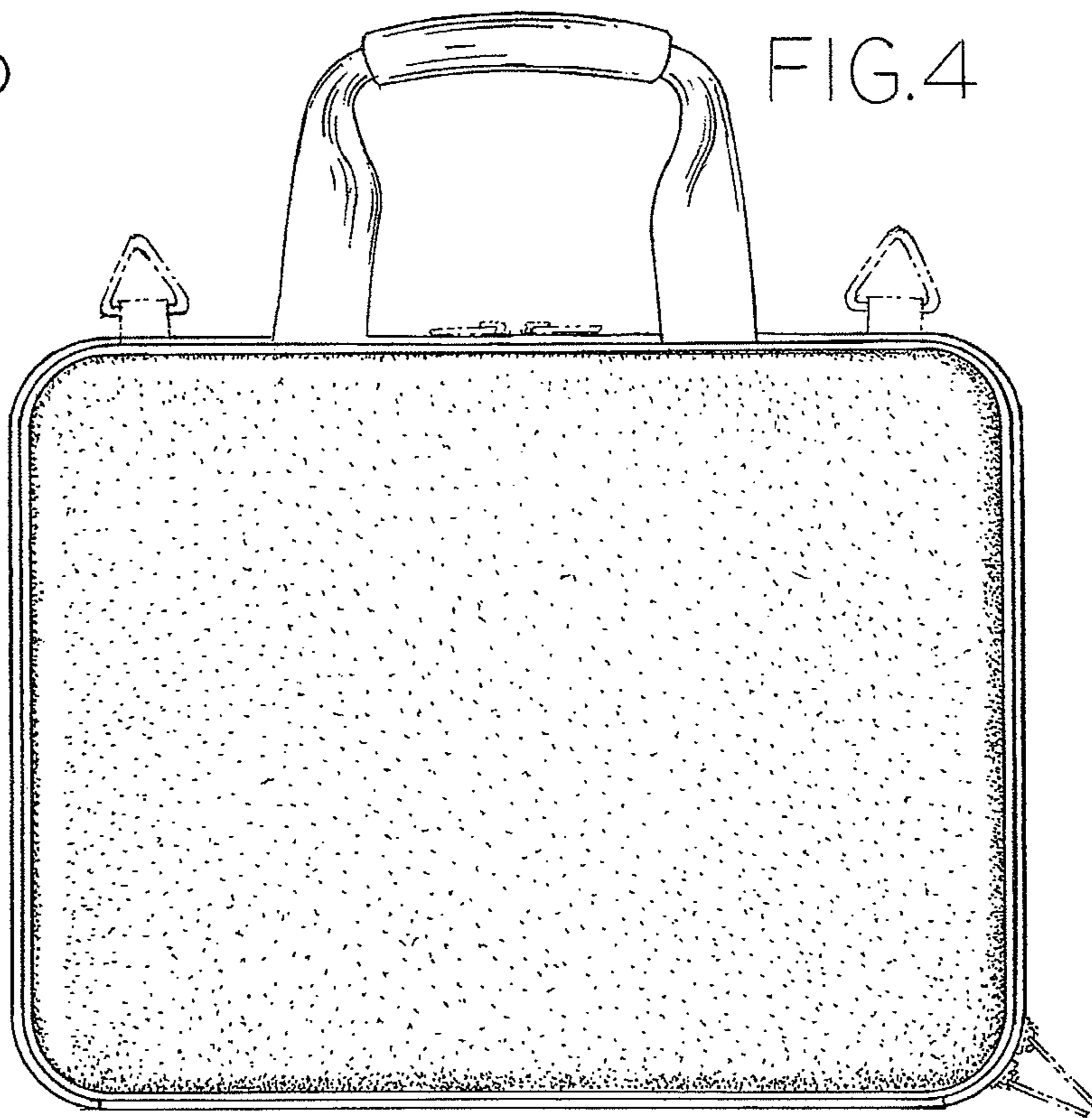


FIG. 4

FIG. 6

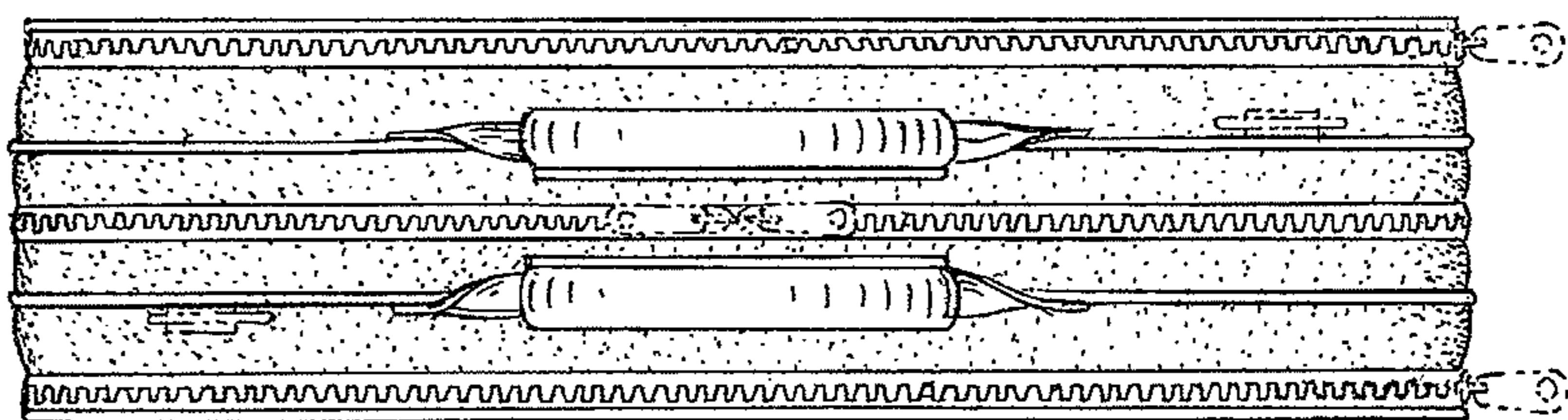
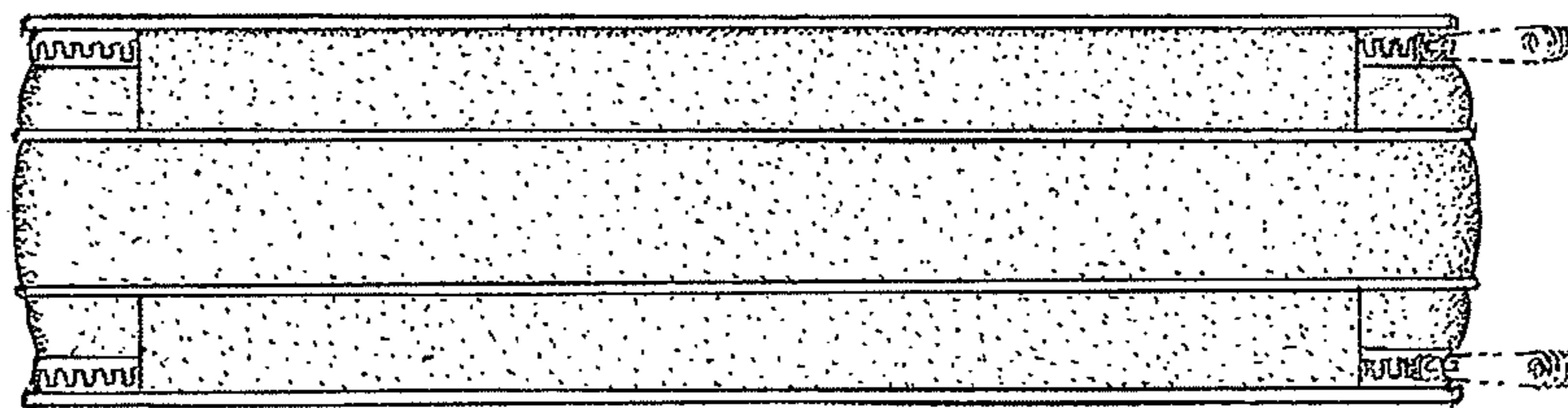


FIG. 7



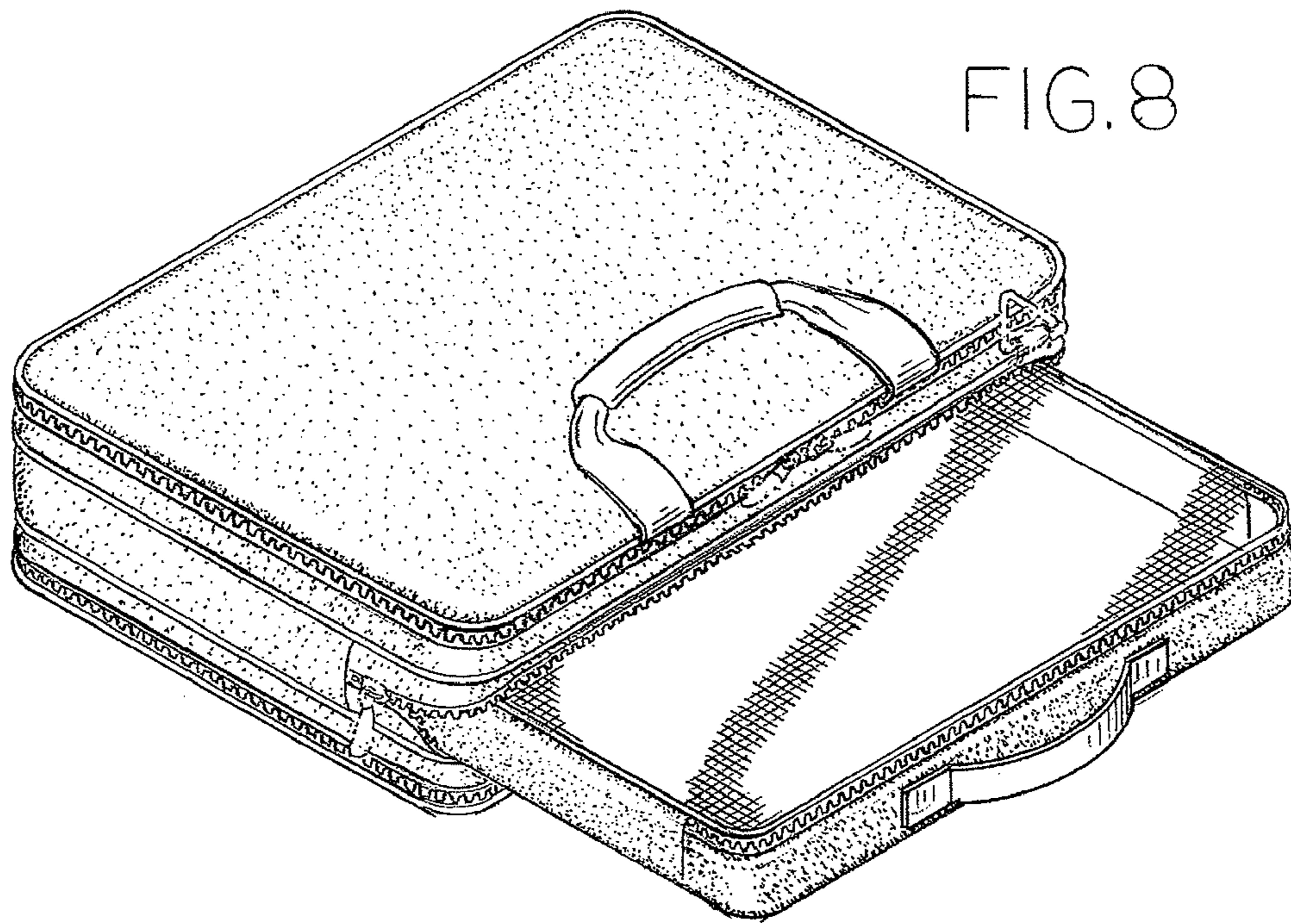


FIG. 8

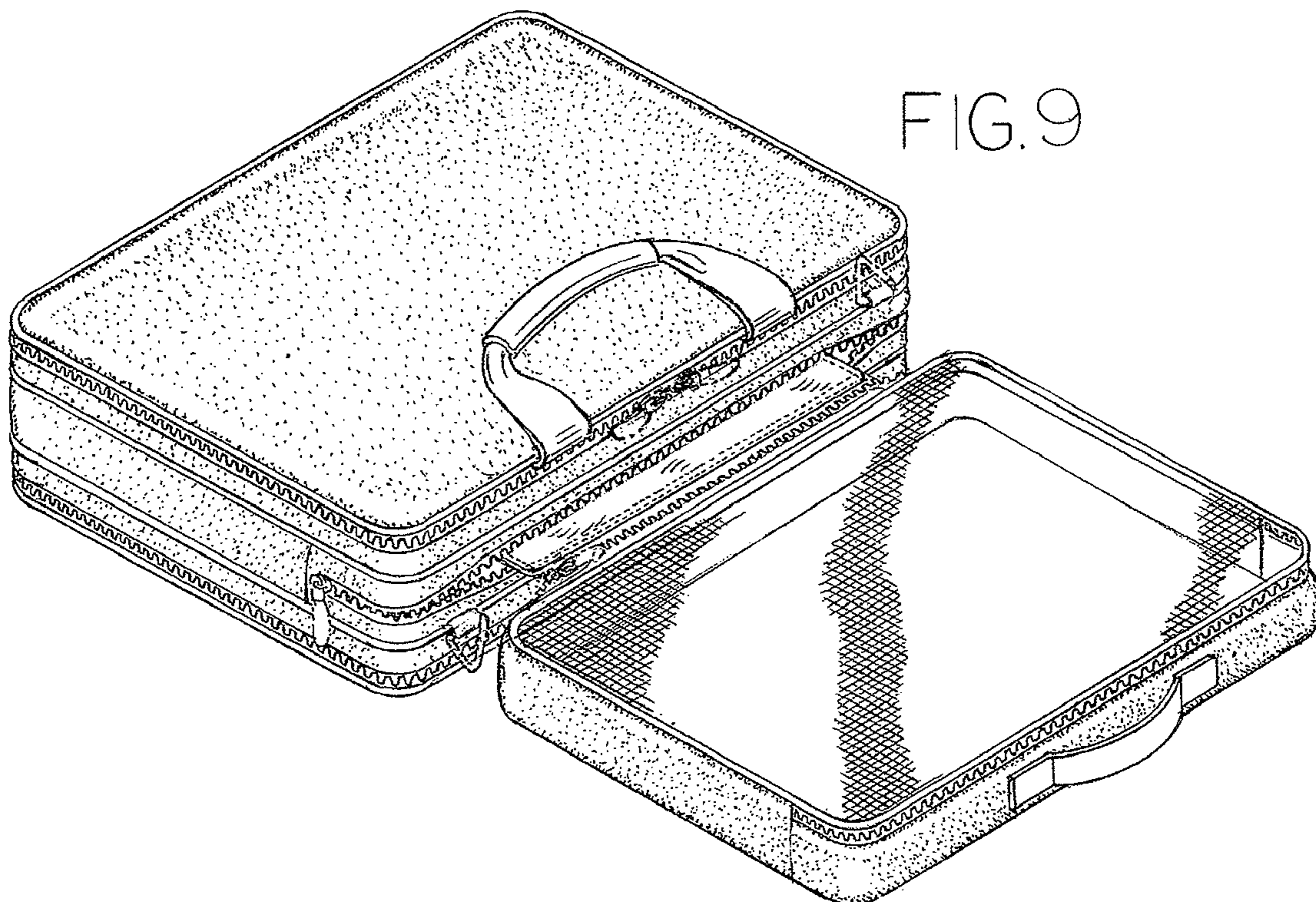


FIG. 9

FIG.10

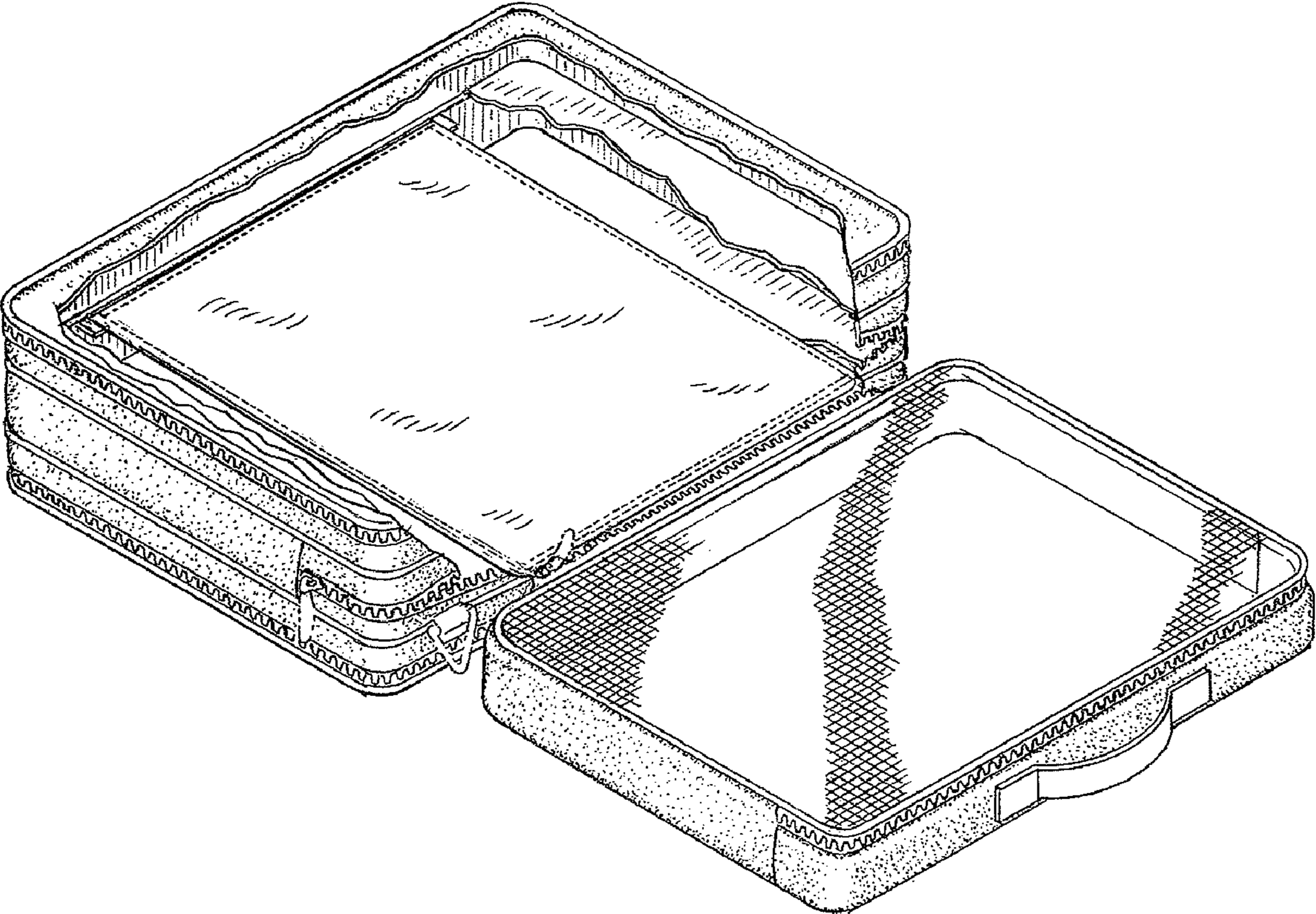


FIG.12

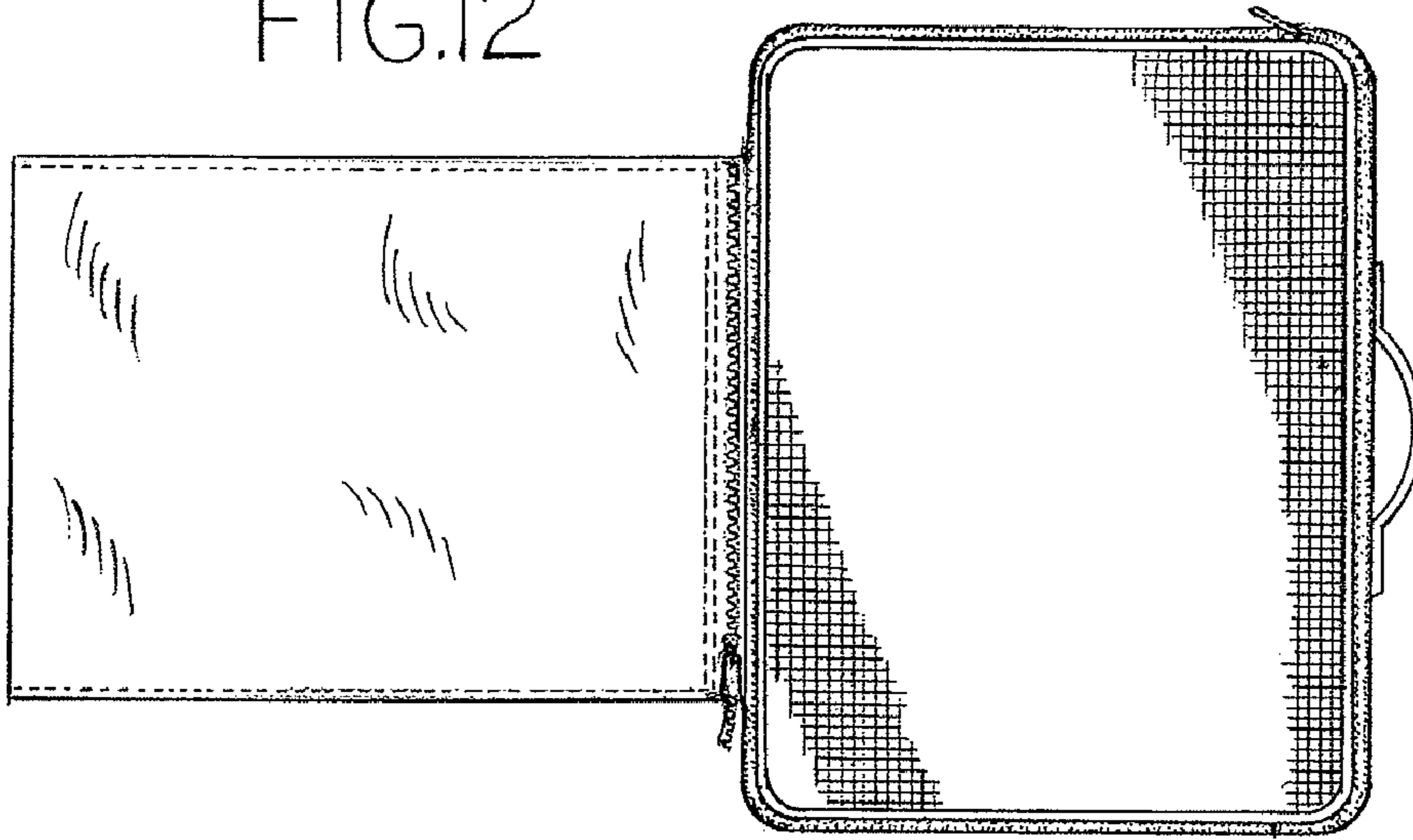


FIG.11

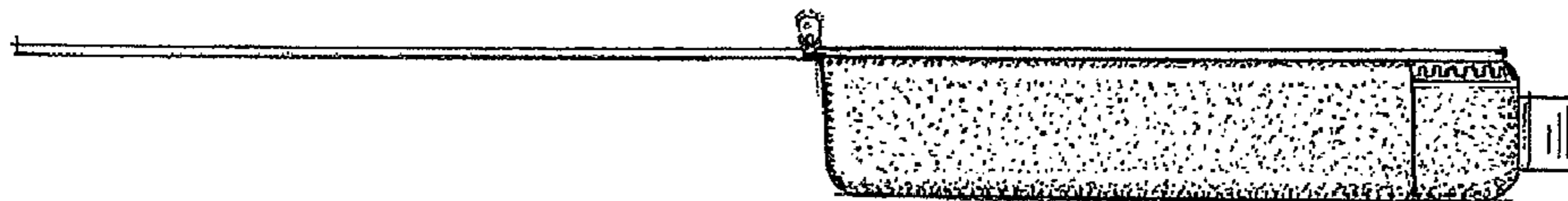


FIG.14

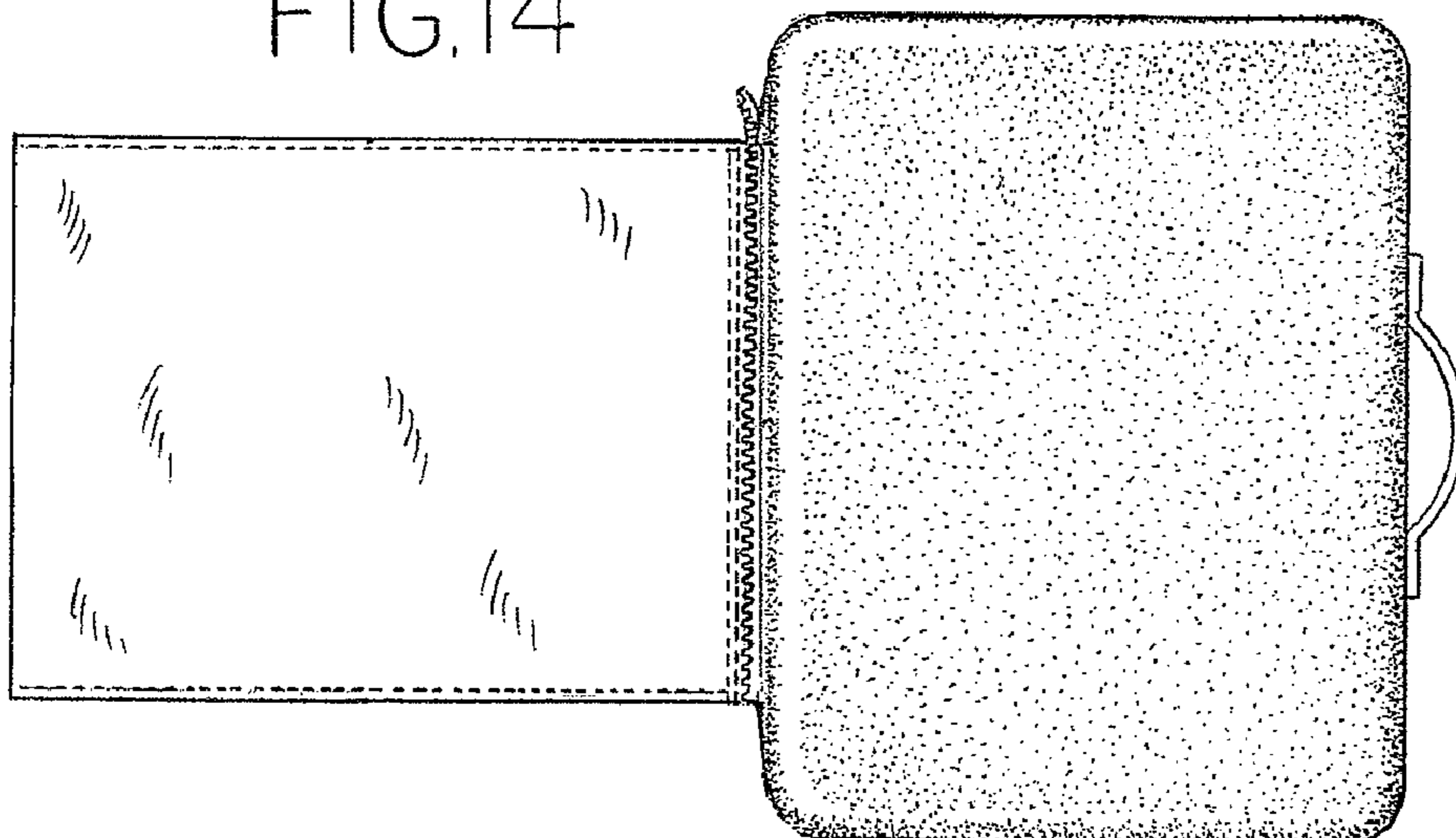


FIG.13

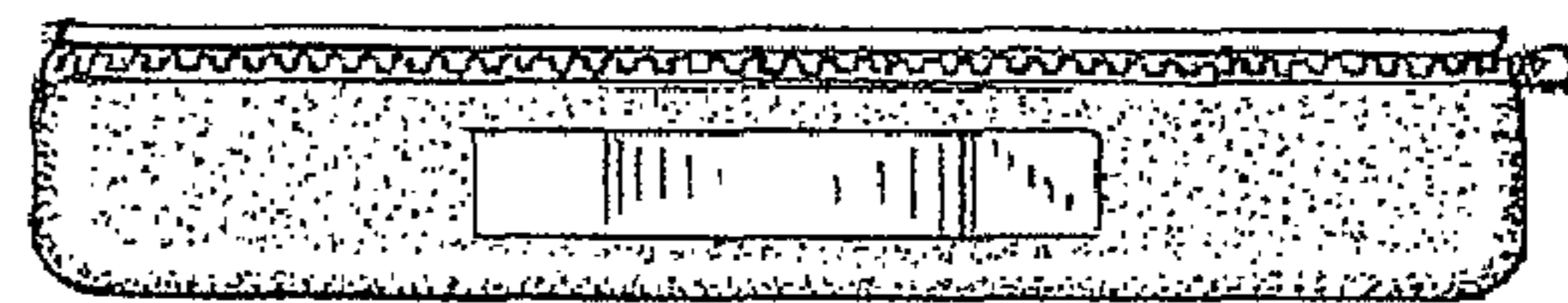
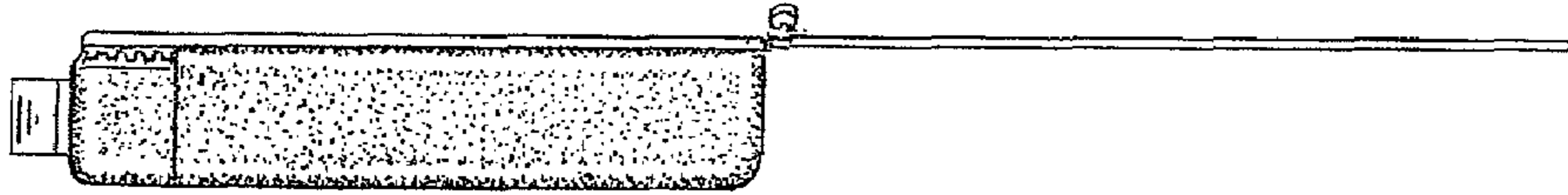


FIG.15

FIG.16

