



US00D605852S

(12) **United States Design Patent**
Yusufov et al.

(10) **Patent No.:** **US D605,852 S**
(45) **Date of Patent:** **** Dec. 15, 2009**

(54) **BASEBALL CAP COVER**

(76) Inventors: **Roman Yusufov**, 3509 S. Norfolk Way,
Aurora, CO (US) 80013; **Jonathan**
Merage, 3509 S. Norfolk Way, Aurora,
CO (US) 80013

(**) Term: **14 Years**

(21) Appl. No.: **29/313,515**

(22) Filed: **Jan. 15, 2009**

(51) **LOC (9) Cl.** **03-01**

(52) **U.S. Cl.** **D3/269**

(58) **Field of Classification Search** D3/269–270,
D3/271.4, 273, 294; D6/450; D9/415, 632;
D2/892; 206/8

See application file for complete search history.

(56) **References Cited**

U.S. PATENT DOCUMENTS

D205,909	S	*	10/1966	Cline	D3/269
5,022,515	A	*	6/1991	Agostine	206/8
D318,174	S	*	7/1991	Hanson	D3/269
5,074,410	A	*	12/1991	Fries et al.	206/8
D339,688	S	*	9/1993	Steidl	D3/271.4
D344,233	S	*	2/1994	Peters	D9/415
D355,600	S	*	2/1995	Ford	D9/415
D361,197	S	*	8/1995	Wilson	D2/892
D363,620	S	*	10/1995	Schweppe	D6/450
5,480,023	A	*	1/1996	Puller	206/8
D371,071	S	*	6/1996	Ford	D9/415
D378,732	S	*	4/1997	Lawson	D9/632
5,683,002	A		11/1997	Rayside		
5,813,546	A		9/1998	Wilson		
D402,808	S	*	12/1998	Deloach	D3/269
5,845,778	A	*	12/1998	Hickey, Jr.	206/459.5
5,865,333	A	*	2/1999	Wolfe	220/4.21

5,950,895	A	*	9/1999	Zakarin	224/645
D426,723	S	*	6/2000	Waugh	D6/411
6,125,997	A	*	10/2000	Campbell	206/8
6,422,400	B1	*	7/2002	Miller	211/32
6,431,393	B1	*	8/2002	Stewart	220/826
D469,010	S	*	1/2003	Valdez et al.	D9/415
6,510,972	B1		1/2003	Briskey		
6,612,472	B1	*	9/2003	Zakarin	224/652
6,892,897	B2	*	5/2005	Stewart	220/252
D544,206	S	*	6/2007	Lindars	D3/269
D544,207	S	*	6/2007	Lindars	D3/269
2005/0211574	A1	*	9/2005	Reeve	206/8
2007/0199833	A1	*	8/2007	Hunt	206/8

* cited by examiner

Primary Examiner—Philip S Hyder
Assistant Examiner—Roselynn Cody

(57) **CLAIM**

The ornamental design for a baseball cap cover, as shown and described.

DESCRIPTION

FIG. 1 is a perspective view of a baseball cap cover showing my new design;

FIG. 2 is a top plan view thereof;

FIG. 3 is a bottom plan view thereof;

FIG. 4 is a left side elevational thereof;

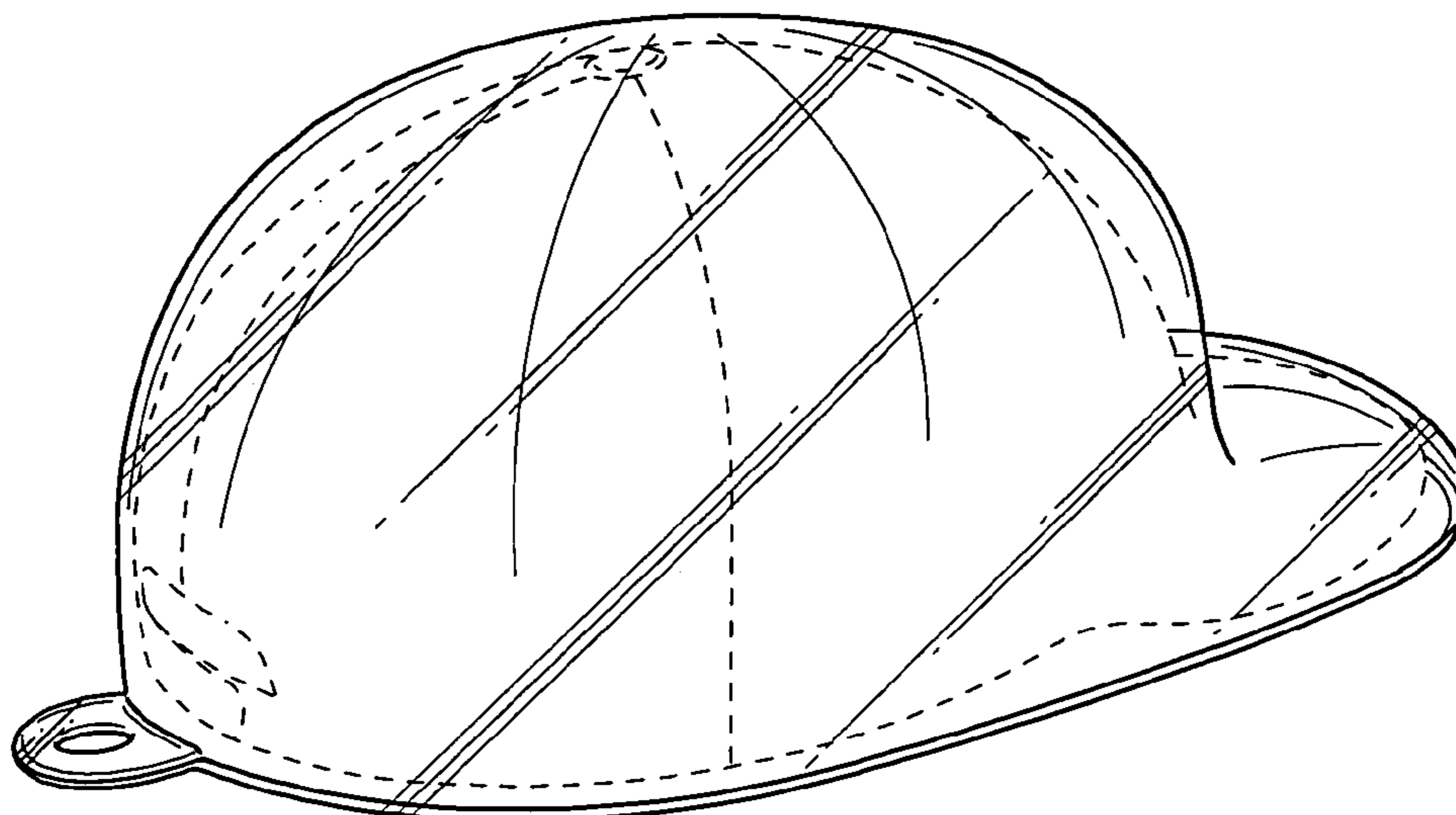
FIG. 5 is a right side elevational view thereof;

FIG. 6 is a front elevational view thereof; and,

FIG. 7 is a rear elevational view thereof.

The broken lines shown on the figures are for illustrative purposes only and are hereby disclaimed as forming no part of Applicant's claimed invention.

1 Claim, 3 Drawing Sheets



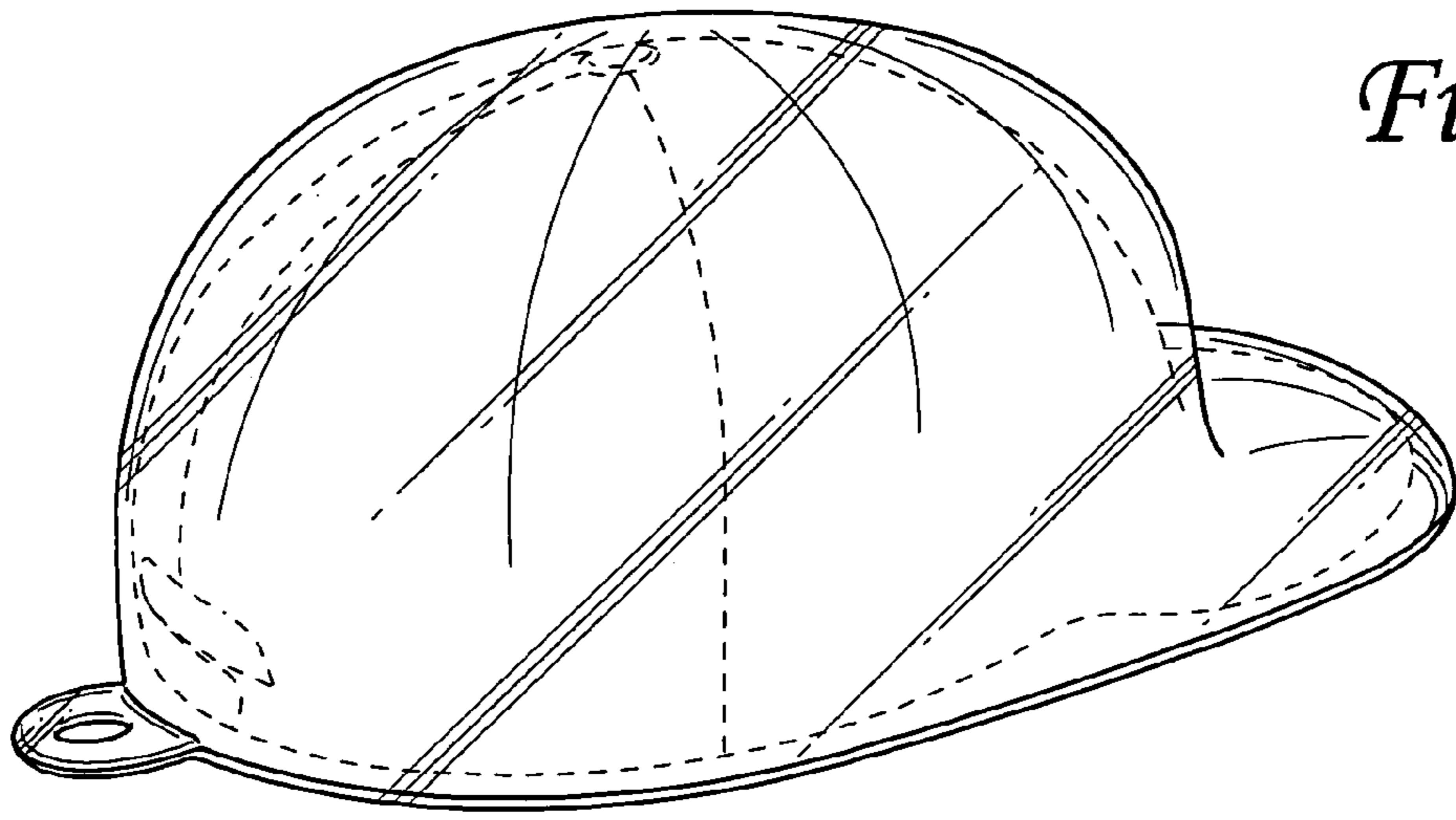


Fig. 1

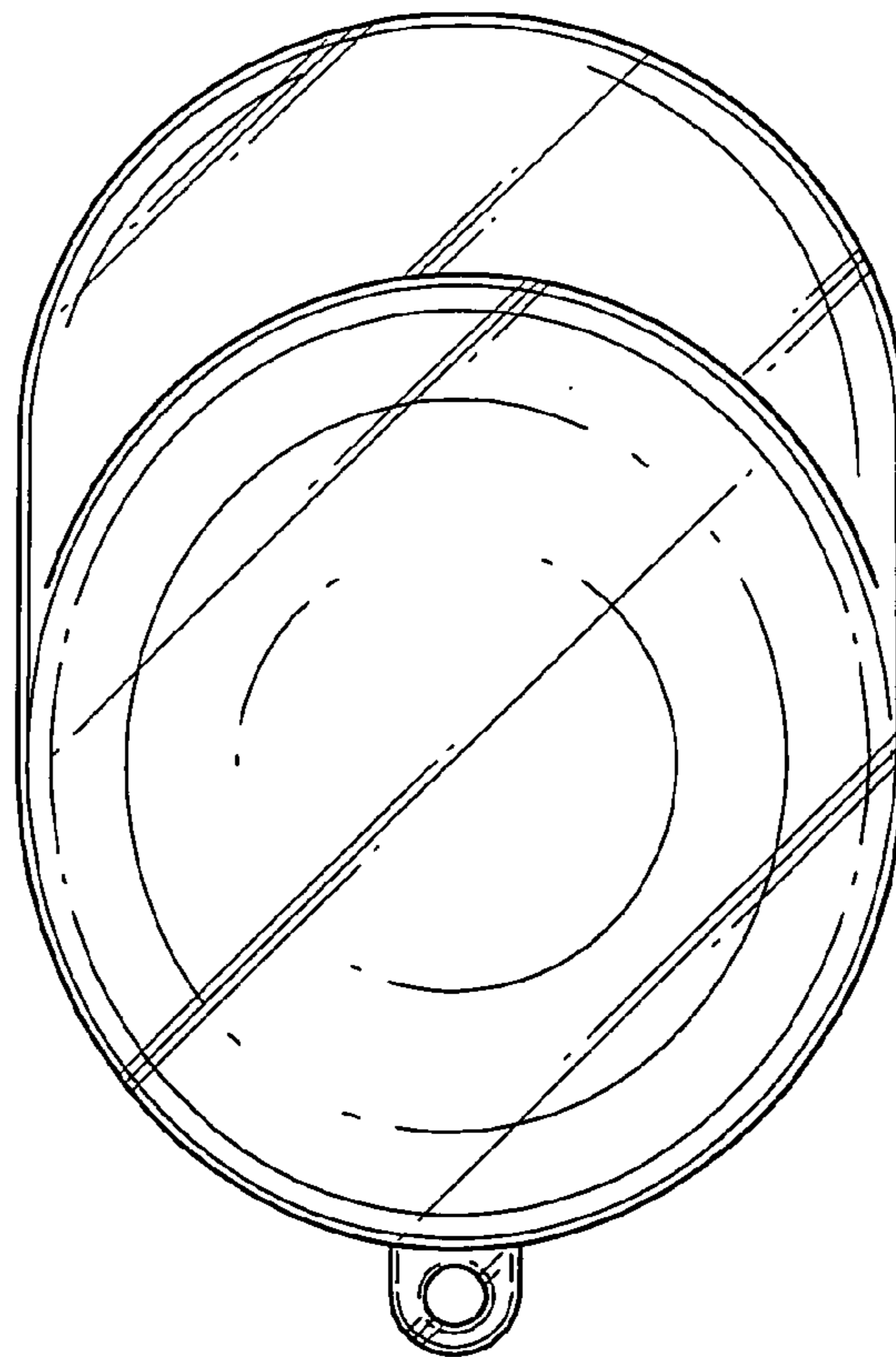


Fig. 2

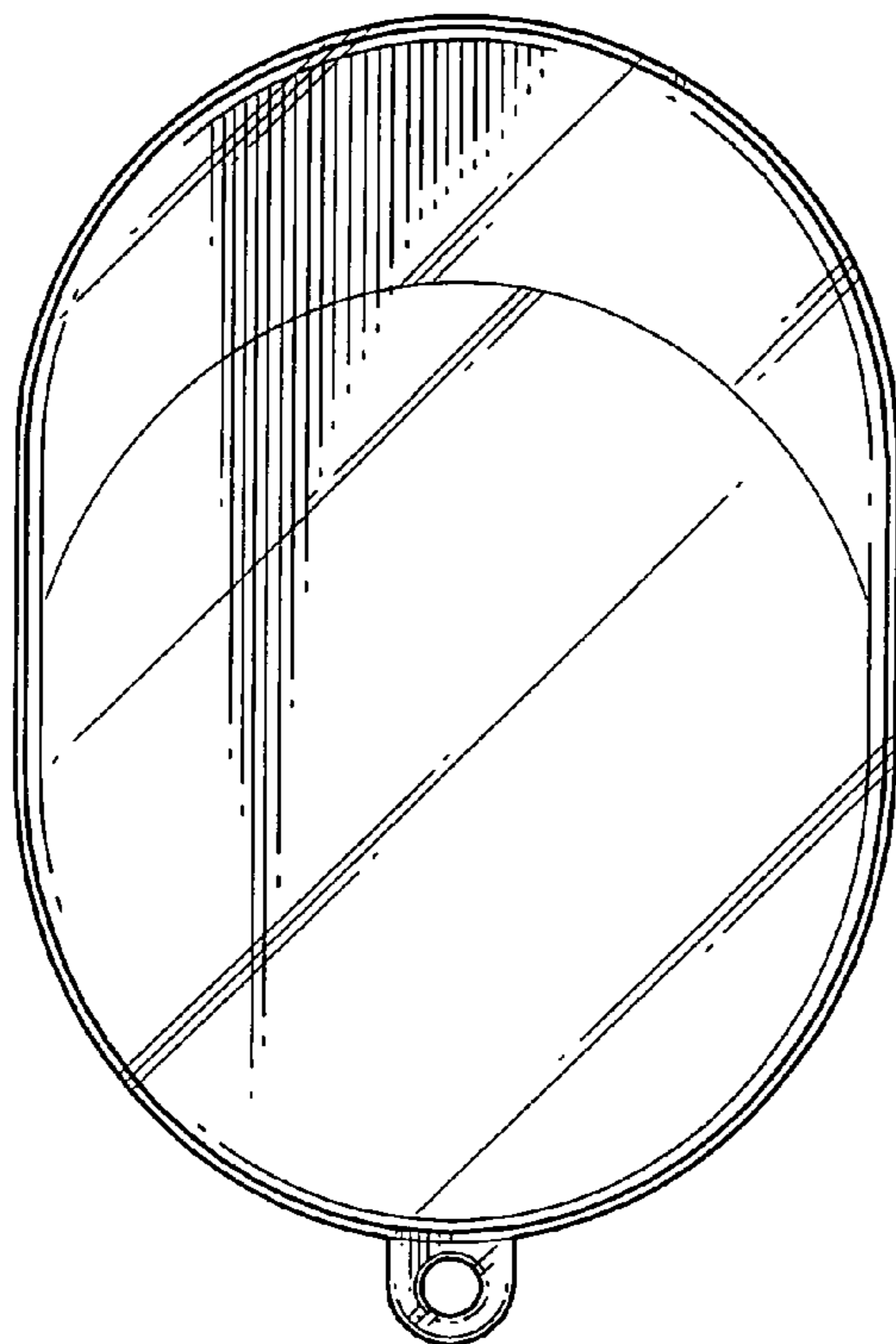


Fig. 3

Fig. 4

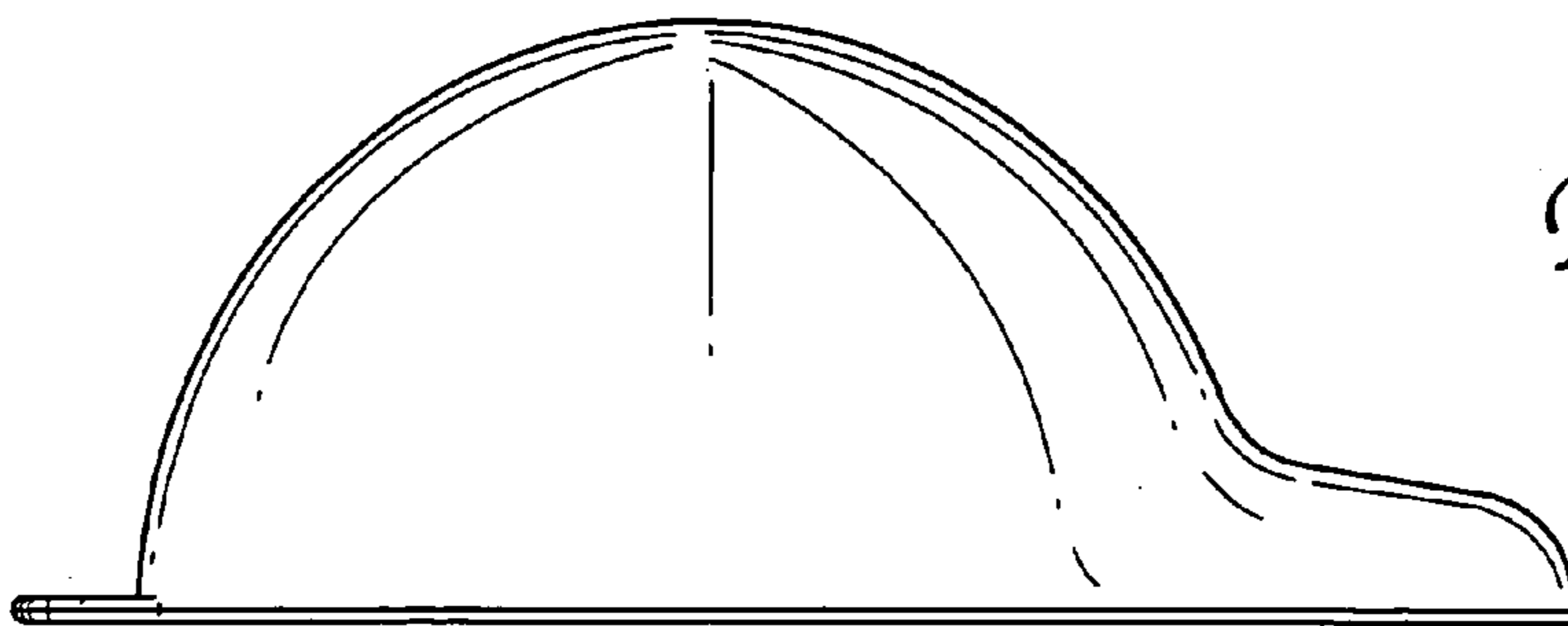
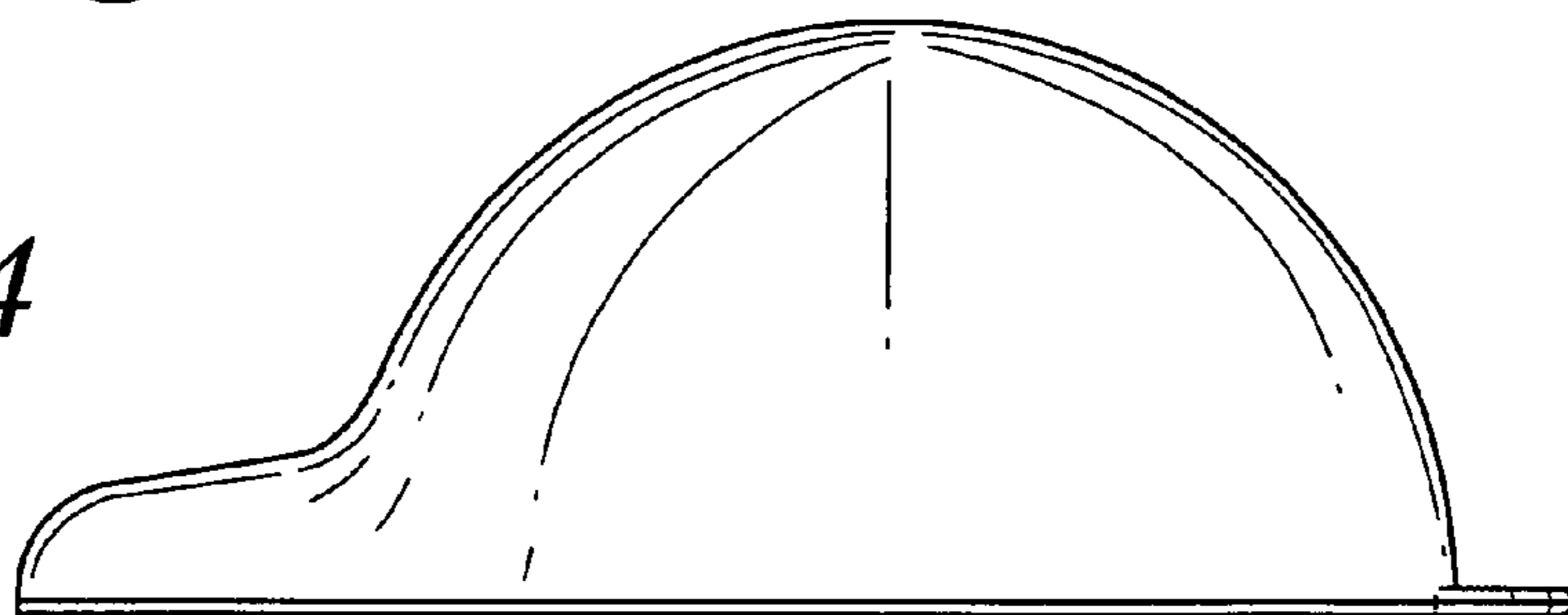


Fig. 5

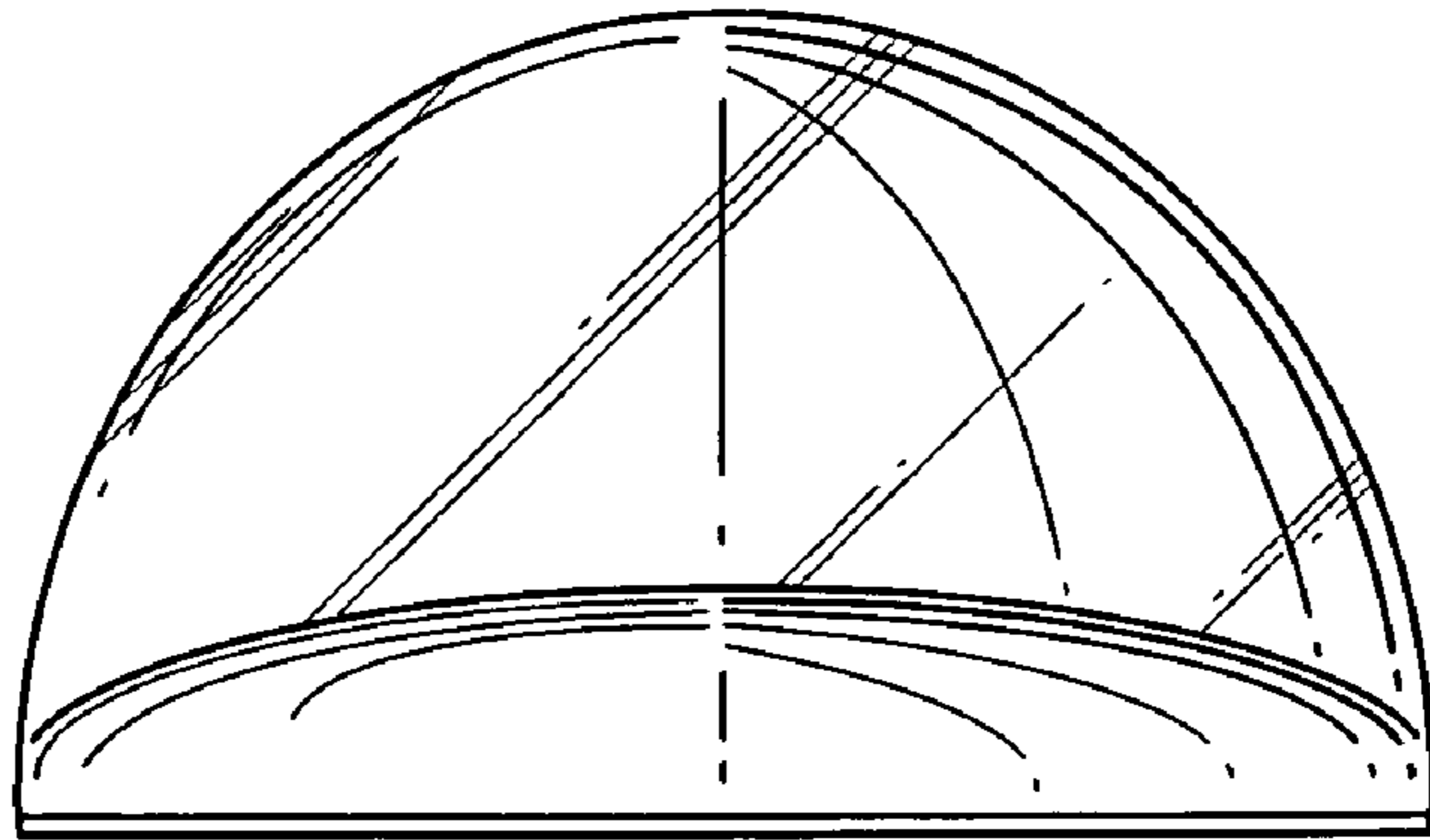


Fig. 6

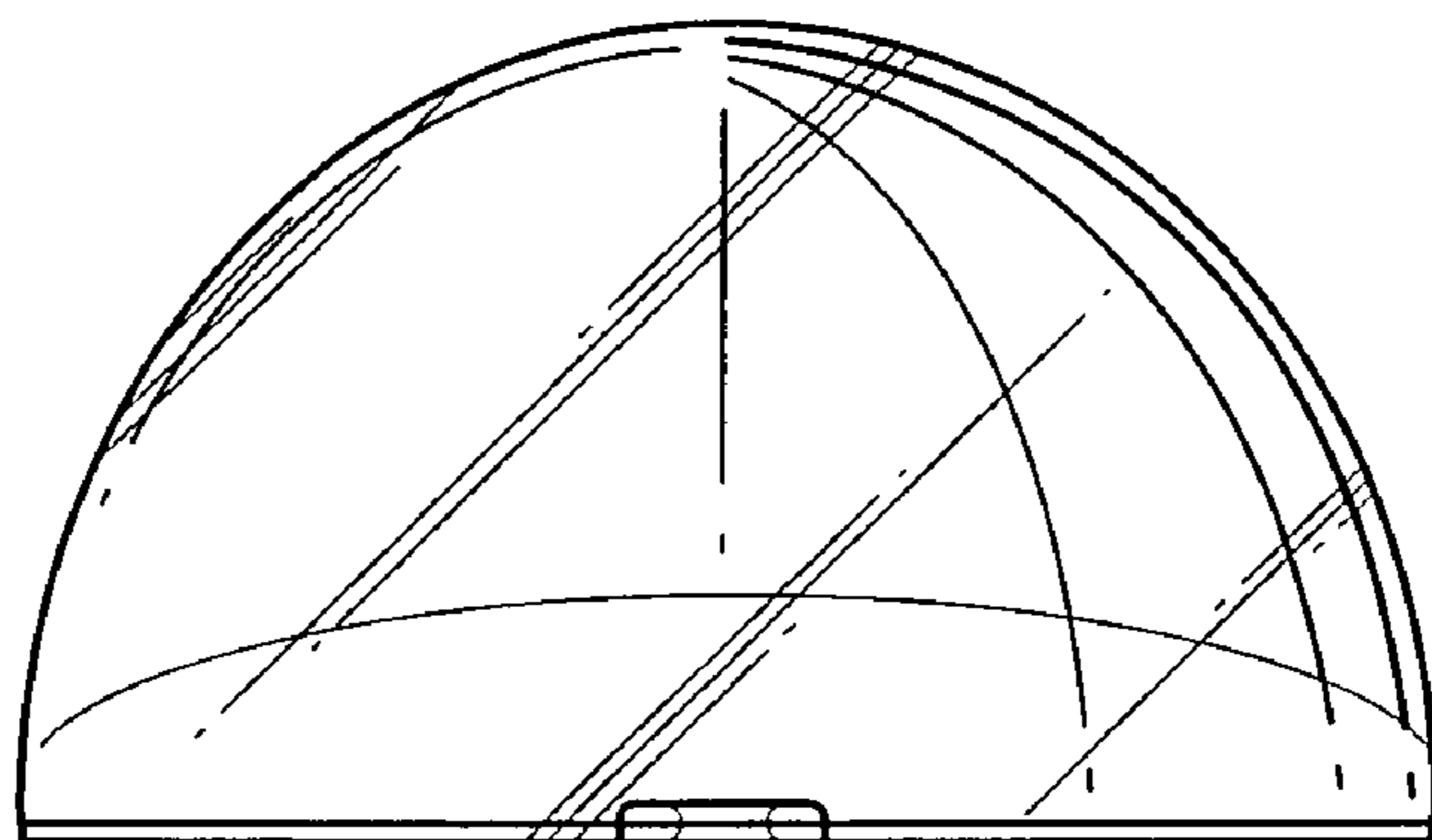


Fig. 7