



US00D605850S

(12) **United States Design Patent**  
**Richardson et al.**

(10) **Patent No.:** **US D605,850 S**  
(45) **Date of Patent:** **\*\* Dec. 15, 2009**

- (54) **ELECTRONICS DEVICE CASE**
- (75) Inventors: **Curtis R. Richardson**, Fort Collins, CO (US); **Jason M. Thompson**, Fort Collins, CO (US); **Matthew M. Glanzer**, Loveland, CO (US); **Jamie Lee Johnson**, Fort Collins, CO (US); **Alan V. Morine**, Fort Collins, CO (US)
- (73) Assignee: **Otter Products, LLC**, Fort Collins, CO (US)
- (\*\*) Term: **14 Years**
- (21) Appl. No.: **29/321,167**
- (22) Filed: **Jul. 11, 2008**

- D381,512 S 7/1997 Green
- D386,611 S 11/1997 Sheu
- D402,105 S 12/1998 Erickson
- D409,374 S 5/1999 Laba et al.
- D412,062 S 7/1999 Potter et al.
- D413,202 S 8/1999 Schmitt et al.
- D413,203 S 8/1999 Zurwelle et al.
- D419,297 S 1/2000 Richardson et al.
- D419,767 S 2/2000 Richardson et al.
- D419,768 S 2/2000 Richardson et al.
- 6,031,524 A 2/2000 Kunert
- 6,041,924 A 3/2000 Tajima
- 6,049,813 A 4/2000 Danielson et al.
- D423,772 S 5/2000 Cooper et al.
- 6,068,119 A 5/2000 Derr et al.
- 6,094,785 A 8/2000 Montgomery et al.

- (51) **LOC (9) Cl.** ..... **03-01**
- (52) **U.S. Cl.** ..... **D3/218**
- (58) **Field of Classification Search** ..... D3/218,  
D3/201, 215, 219, 226, 269, 272-273; 206/305,  
206/320; 455/90, 92, 42; 379/455; 224/666,  
224/674-677, 680-683, 240, 901; D14/496,  
D14/156, 138  
See application file for complete search history.

(Continued)

**OTHER PUBLICATIONS**

U.S. Appl. No. 29/284,532, filed Sep. 10, 2007.

(Continued)

*Primary Examiner*—Catherine R Oliver  
(74) *Attorney, Agent, or Firm*—William W. Cochran;  
Cochran Freund & Young LLC

(56) **References Cited**

**U.S. PATENT DOCUMENTS**

- 2,392,787 A 1/1946 Vermot
- D216,853 S 3/1970 Schurman
- D220,233 S 3/1971 Schuman
- D275,822 S 10/1984 Gatland et al.
- 4,703,161 A 10/1987 McLean
- 4,762,227 A 8/1988 Patterson
- 5,092,459 A 3/1992 Uljanic et al.
- D327,646 S 7/1992 Hardigg et al.
- D329,747 S 9/1992 Embree
- D330,329 S 10/1992 Brightbill
- 5,175,873 A 12/1992 Goldenberg et al.
- D335,220 S 5/1993 Ward
- D342,609 S 12/1993 Brightbill
- D347,324 S 5/1994 Dickinson
- D347,732 S 6/1994 Wentz
- D353,048 S 12/1994 VanSkiver et al.

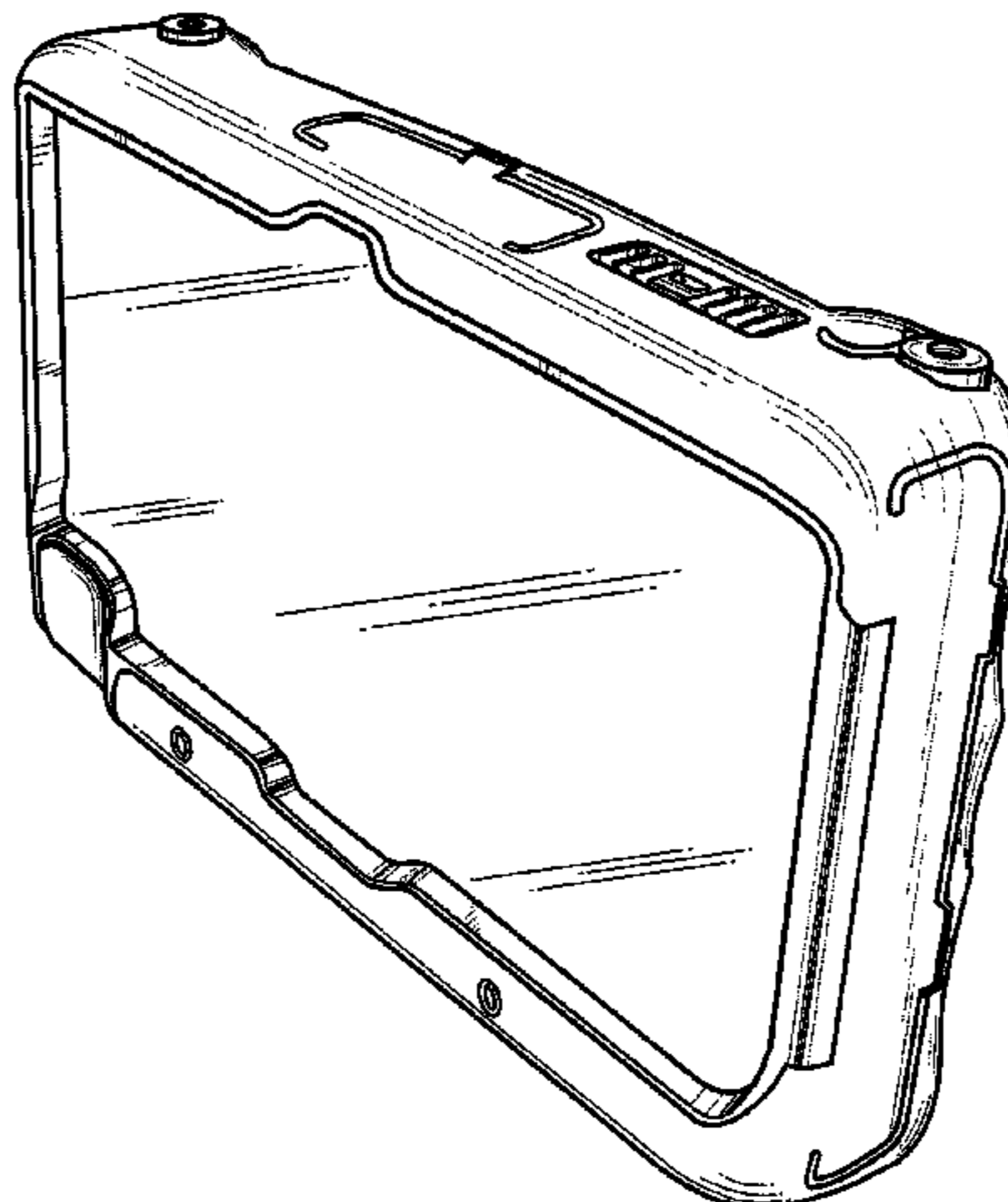
(57) **CLAIM**

The ornamental design for an electronics device case, as shown and described.

**DESCRIPTION**

FIG. 1 is an isometric view of an electronics device case showing our new design.  
FIG. 2 is a top view thereof.  
FIG. 3 is a front view thereof.  
FIG. 4 is a left side view thereof.  
FIG. 5 is a right side view thereof.  
FIG. 6 is a bottom view thereof; and,  
FIG. 7 is a rear view thereof.

**1 Claim, 6 Drawing Sheets**



# US D605,850 S

Page 2

---

## U.S. PATENT DOCUMENTS

D433,798 S	11/2000	Weinstock	D514,808 S	2/2006	Morine et al.
D439,407 S	3/2001	Parker	6,995,976 B2	2/2006	Richardson et al.
6,215,474 B1	4/2001	Shah	D516,309 S	3/2006	Richardson et al.
6,239,968 B1	5/2001	Kim et al.	D516,553 S	3/2006	Richardson et al.
D443,133 S	6/2001	Richardson et al.	D516,807 S	3/2006	Richardson et al.
6,273,252 B1	8/2001	Mitchell	D526,780 S	8/2006	Richardson et al.
6,301,100 B1	10/2001	Iwata	D530,079 S	10/2006	Thomas et al.
6,313,892 B2	11/2001	Gleckman	7,158,376 B2	1/2007	Richardson et al.
6,317,313 B1	11/2001	Mosgrove et al.	7,180,735 B2	2/2007	Richardson et al.
6,388,877 B1	5/2002	Canova, Jr. et al.	D542,524 S	5/2007	Richardson et al.
6,415,138 B2	7/2002	Sirola et al.	7,230,823 B2	6/2007	Richardson et al.
6,445,577 B1	9/2002	Madsen et al.	D557,897 S	12/2007	Richardson et al.
6,456,487 B1	9/2002	Hetterick	7,312,984 B2	12/2007	Richardson et al.
6,471,056 B1	10/2002	Tzeng et al.	2002/0101707 A1	8/2002	Canova et al.
D465,330 S	11/2002	Parker			
D470,659 S	2/2003	Story et al.			
6,519,141 B2	2/2003	Tseng et al.			
6,536,589 B2	3/2003	Chang			
D472,384 S	4/2003	Richardson			
6,646,864 B2	11/2003	Richardson et al.			
6,665,174 B1	12/2003	Derr et al.			
D513,123 S	12/2005	Richardson et al.			
D513,451 S	1/2006	Richardson et al.			

## OTHER PUBLICATIONS

U.S. Appl. No. 11/466,342, filed Aug. 22, 2006.  
U.S. Appl. No. 11/456,157, filed Jul. 7, 2006.  
U.S. Appl. No. 11/768,761, filed Jun. 26, 2007.  
U.S. Appl. No. 29/298,581, filed Dec. 7, 2007.  
U.S. Appl. No. 29/298,580, filed Dec. 7, 2007.  
U.S. Appl. No. 29/246,914, filed May 19, 2006.  
U.S. Appl. No. 29/298,588, filed Dec. 7, 2007.  
U.S. Appl. No. 12/134,120, filed Jun. 5, 2008.  
U.S. Appl. No. 29/284,641, filed Sep. 12, 2007.

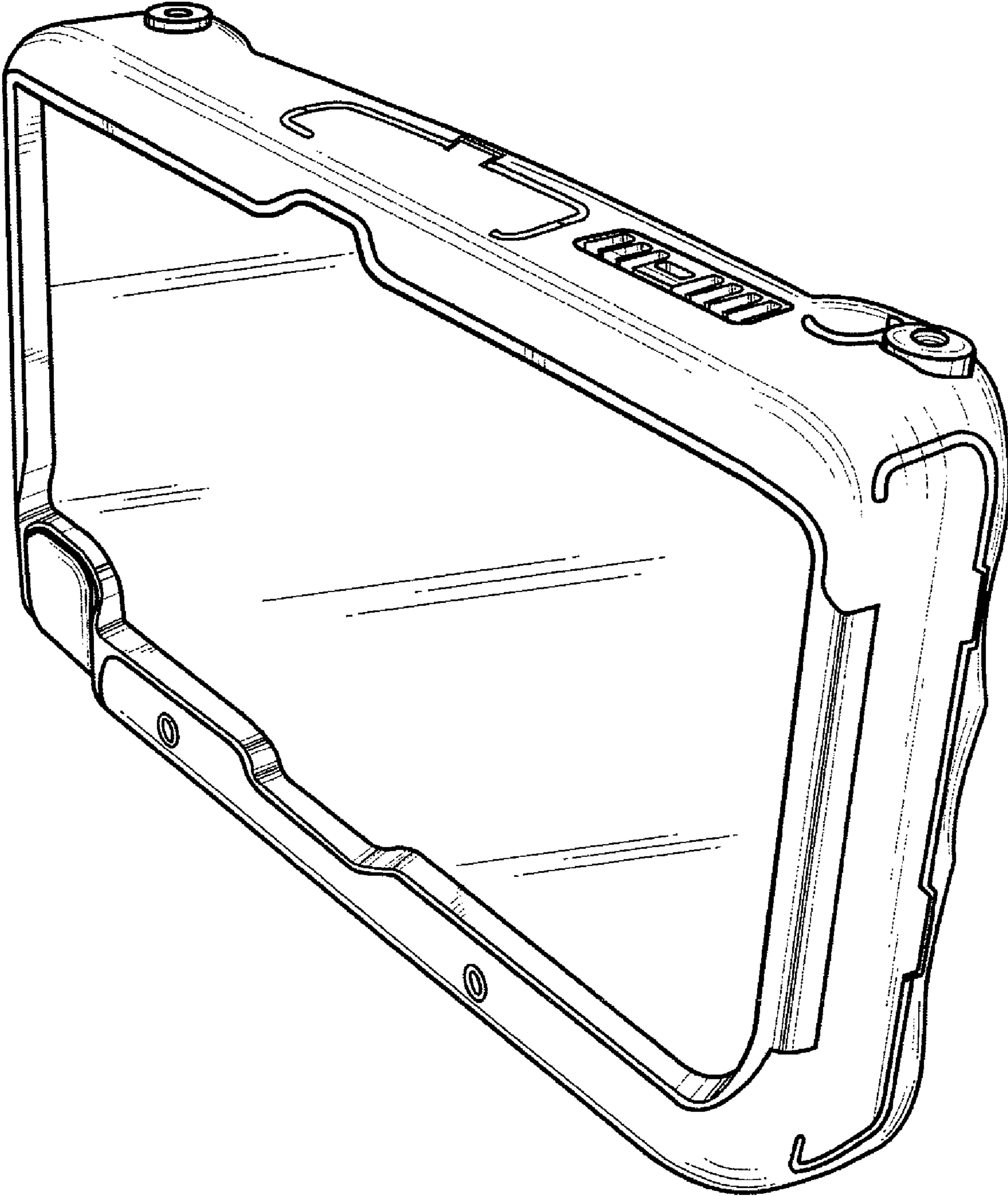


FIG. 1

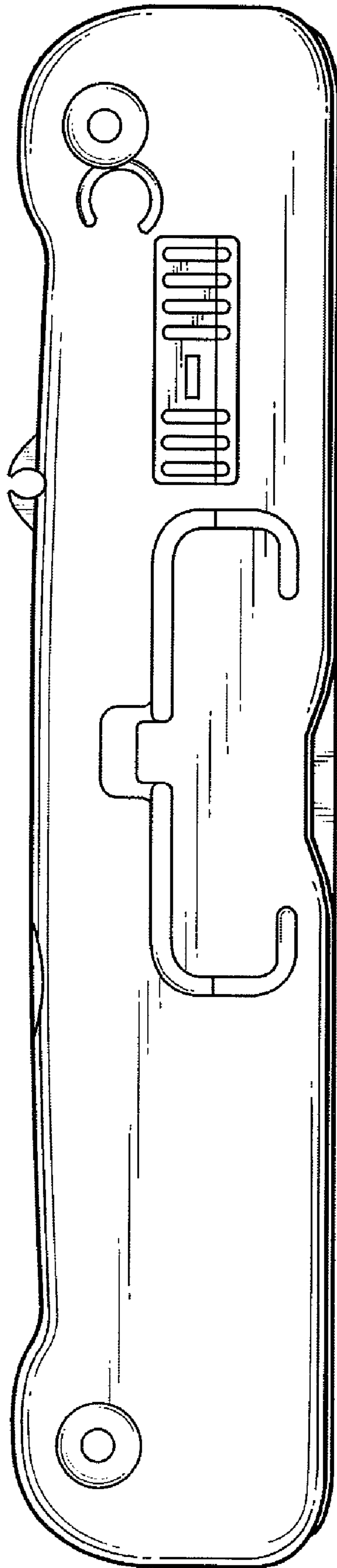


FIG. 2

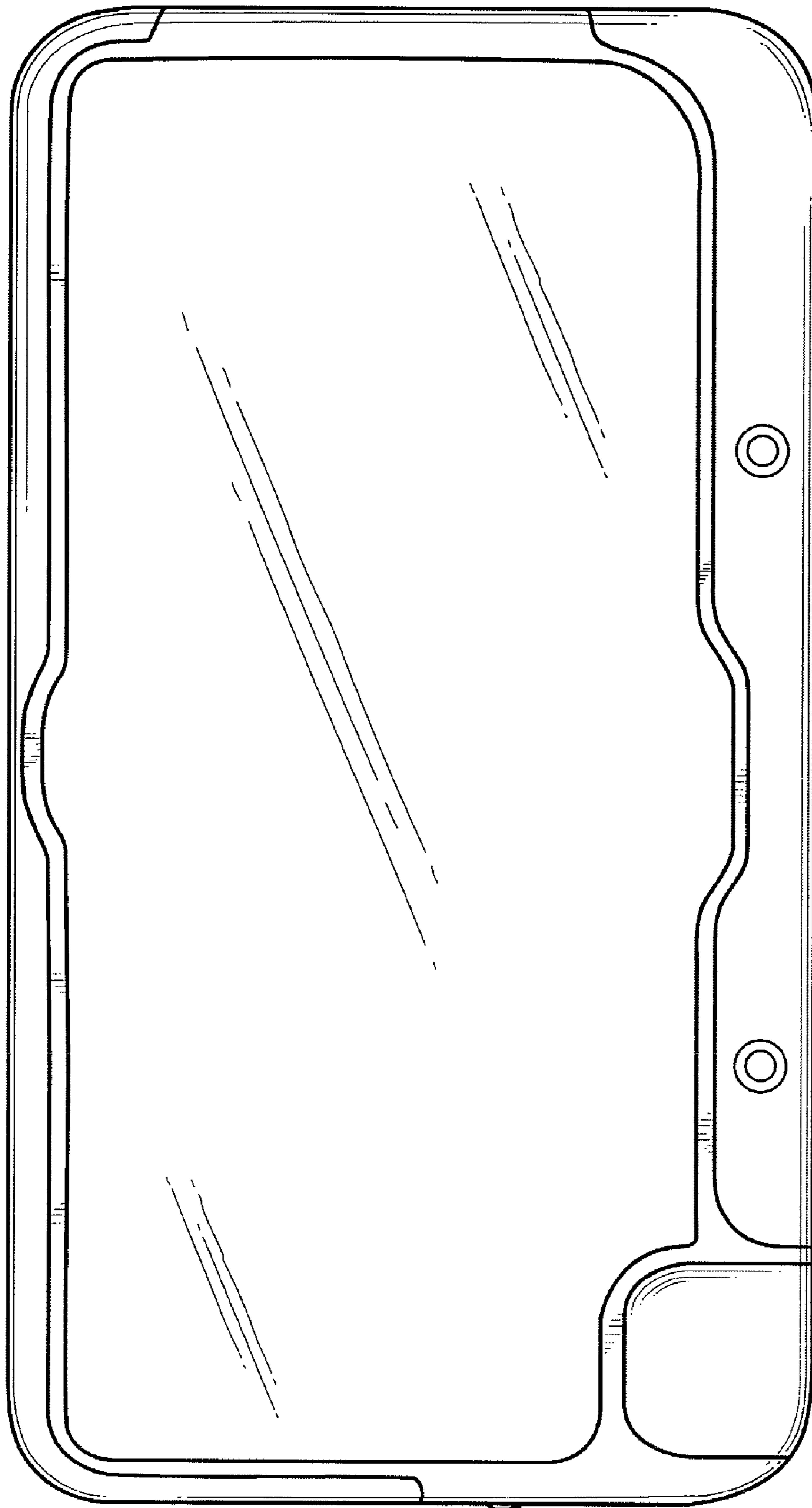


FIG. 3

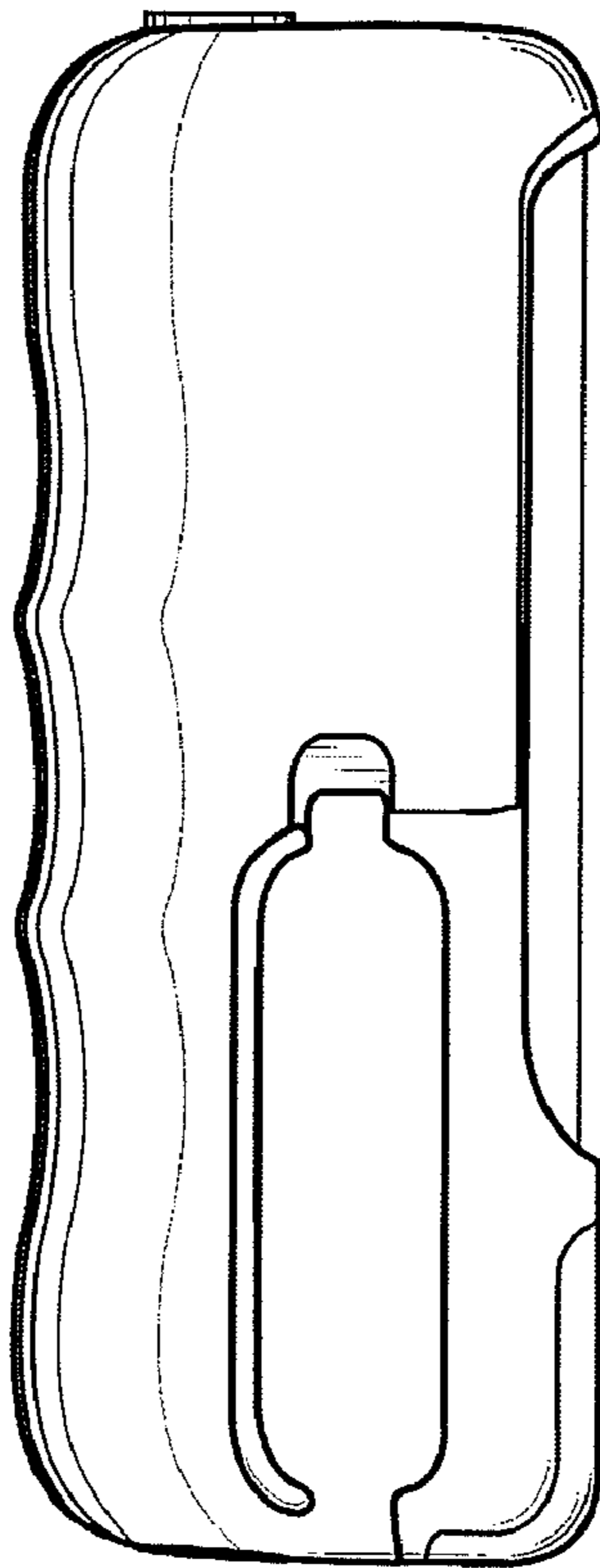


FIG. 4

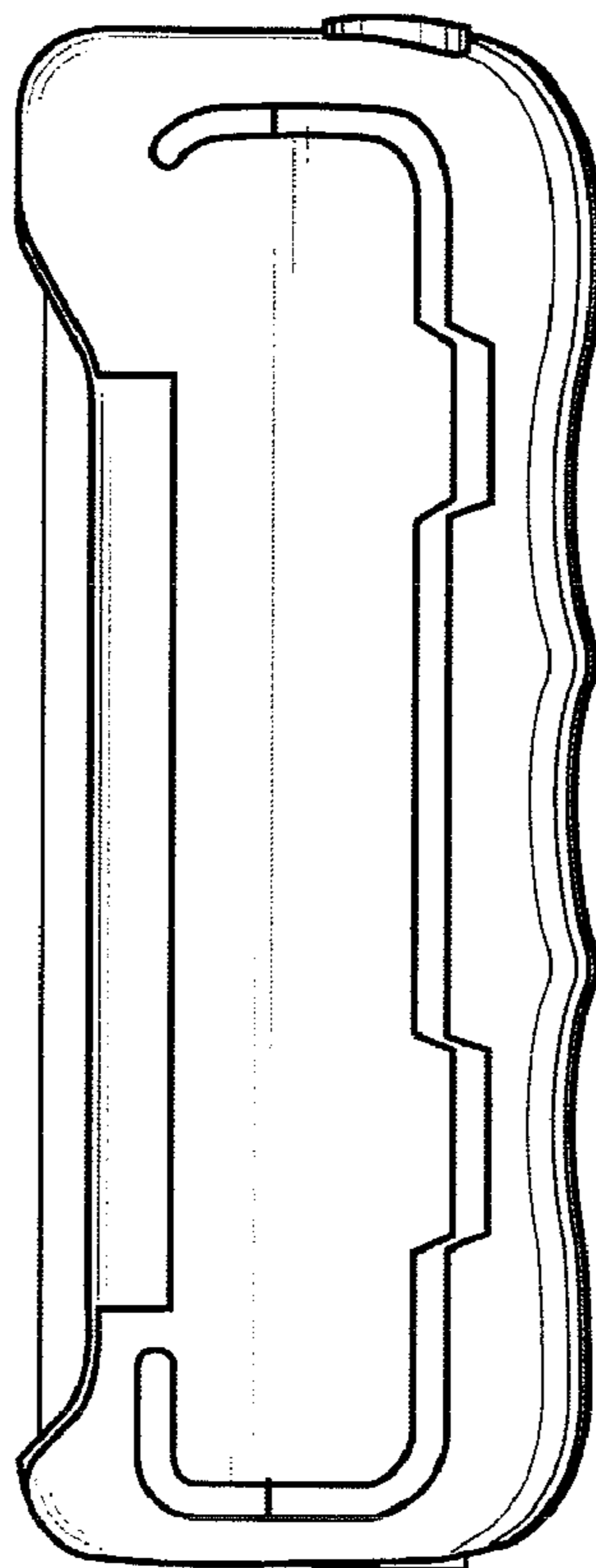


FIG. 5

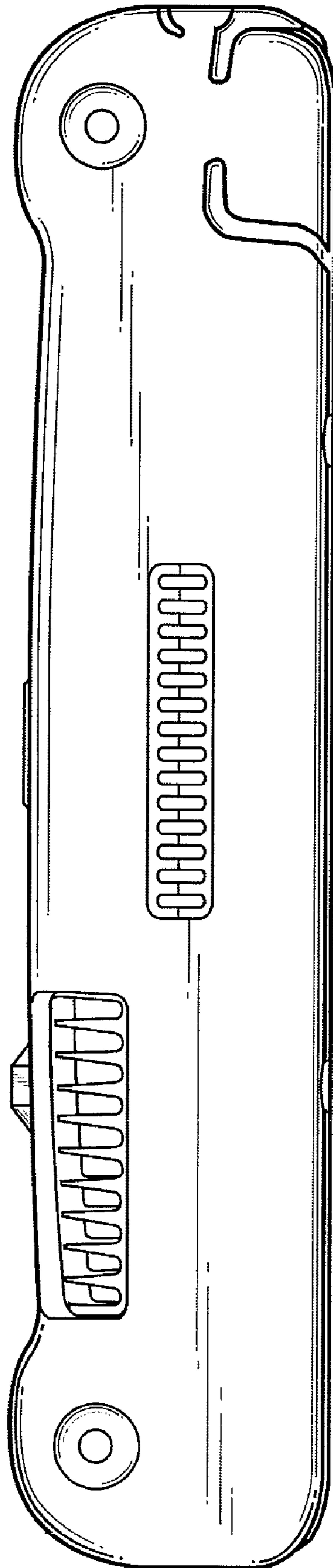


FIG. 6

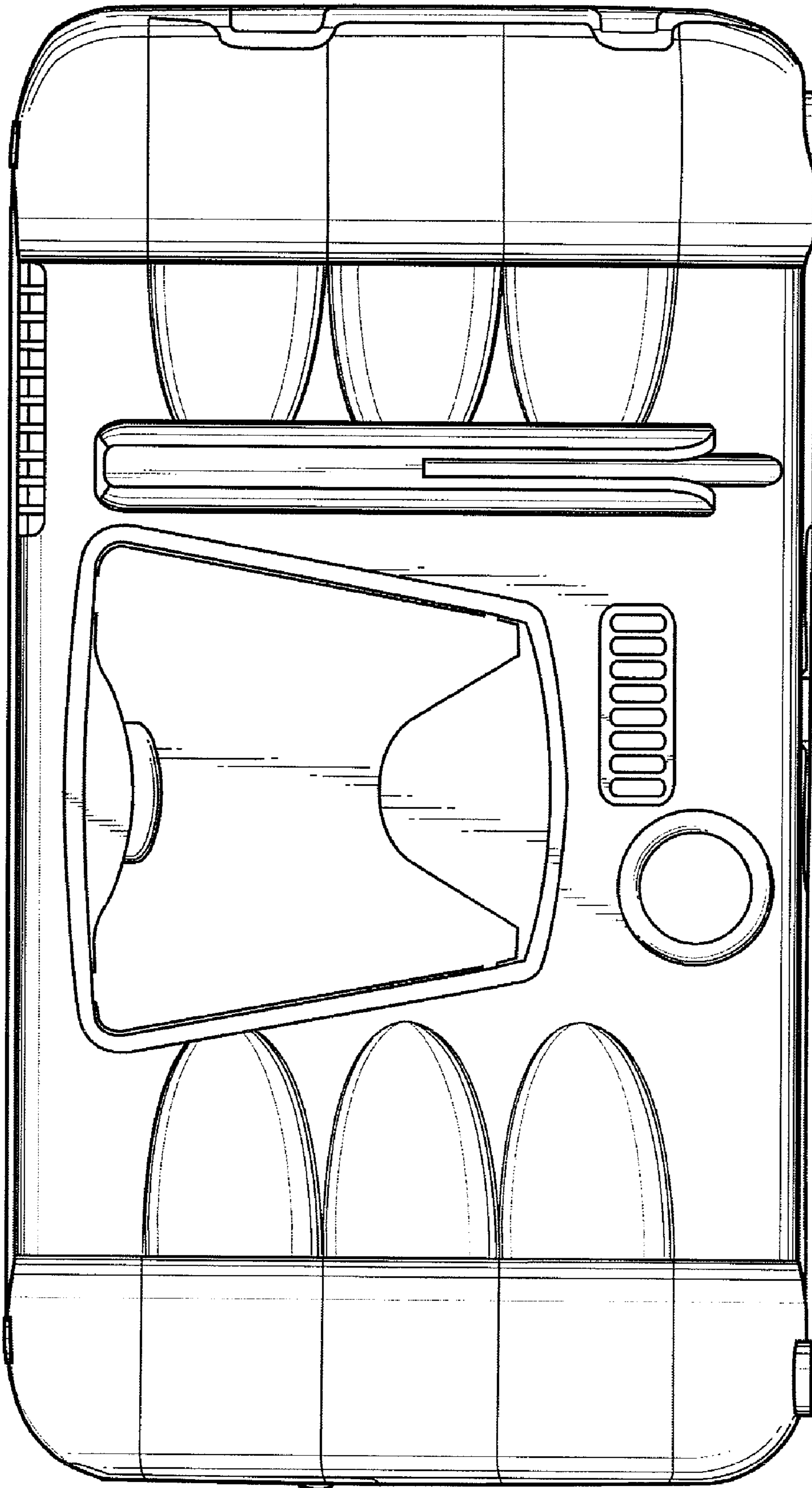


FIG. 7