



US00D605849S

(12) **United States Design Patent**
Mori

(10) **Patent No.:** **US D605,849 S**
(45) **Date of Patent:** **** Dec. 15, 2009**

(54) **ORTHOPEDIC SHOULDER BAG SET**

(76) Inventor: **Tyrus Mori**, P.O. Box 418, Mt. Prospect, IL (US) 60056

(**) Term: **14 Years**

(21) Appl. No.: **29/301,678**

(22) Filed: **Mar. 13, 2008**

(51) **LOC (9) Cl.** **03-01**

(52) **U.S. Cl.** **D3/217; D3/231**

(58) **Field of Classification Search** D3/215-217, D3/231, 262-263, 267-268, 276, 283, 289, D3/900; 150/100, 103, 106-110, 112, 117-119; 190/100, 102, 107, 112, 115, 900, 903
See application file for complete search history.

- 5,890,639 A * 4/1999 Hancock et al. 224/429
- 5,893,503 A 4/1999 Jean
- D412,787 S * 8/1999 Young D3/283
- D418,673 S * 1/2000 Madsen D3/216
- 6,010,050 A * 1/2000 Tarr 224/578
- D420,797 S 2/2000 Kofford
- D421,524 S * 3/2000 Kerin et al. D3/231
- 6,053,381 A 4/2000 Fahl et al.
- D428,696 S * 8/2000 Fier D3/217
- D441,190 S * 5/2001 Eskandry D3/289
- 6,367,674 B1 4/2002 Tabor
- 6,394,328 B1 5/2002 Zakarin
- D469,605 S 2/2003 Vernon et al.
- 6,607,107 B2 8/2003 Dexheimer
- 6,619,519 B1 9/2003 Nix
- 6,637,633 B1 10/2003 Eberle
- 6,722,543 B1 4/2004 Fitzgerald
- 6,802,442 B1 10/2004 Thompson
- D499,882 S * 12/2004 Baclawski D3/216

(56) **References Cited**

U.S. PATENT DOCUMENTS

- D247,065 S * 1/1978 Koffler D3/289
- D247,067 S * 1/1978 Koffler D3/289
- 4,153,092 A * 5/1979 Haslam 150/108
- D254,343 S * 3/1980 Babcock D3/231
- D258,098 S * 2/1981 Norinsky D3/231
- D272,428 S * 1/1984 Kelley D12/409
- 4,561,576 A 12/1985 Lowe et al.
- 4,600,134 A * 7/1986 Colby 224/260
- D292,847 S * 11/1987 Barker D3/231
- 4,810,102 A 3/1989 Norton
- 4,887,751 A 12/1989 Lehman
- D311,093 S * 10/1990 Hoffman D3/231
- D312,726 S * 12/1990 Kline D3/224
- 5,012,964 A 5/1991 Falletta et al.
- D344,184 S * 2/1994 Barker D3/231
- D352,165 S * 11/1994 Covertson D3/217
- D371,457 S * 7/1996 Jacobs D3/231
- 5,577,653 A 11/1996 Bieker
- D385,416 S * 10/1997 Runner D3/231
- D386,887 S * 12/1997 Hambas D2/830
- D394,552 S * 5/1998 Melk D3/287
- 5,769,295 A 6/1998 Alves
- D404,910 S * 2/1999 Schober D3/216
- 5,873,506 A 2/1999 Golling et al.
- D408,137 S * 4/1999 Leininger D3/231

(Continued)

Primary Examiner—Philip S Hyder
Assistant Examiner—Roselynn Cody

(57) **CLAIM**

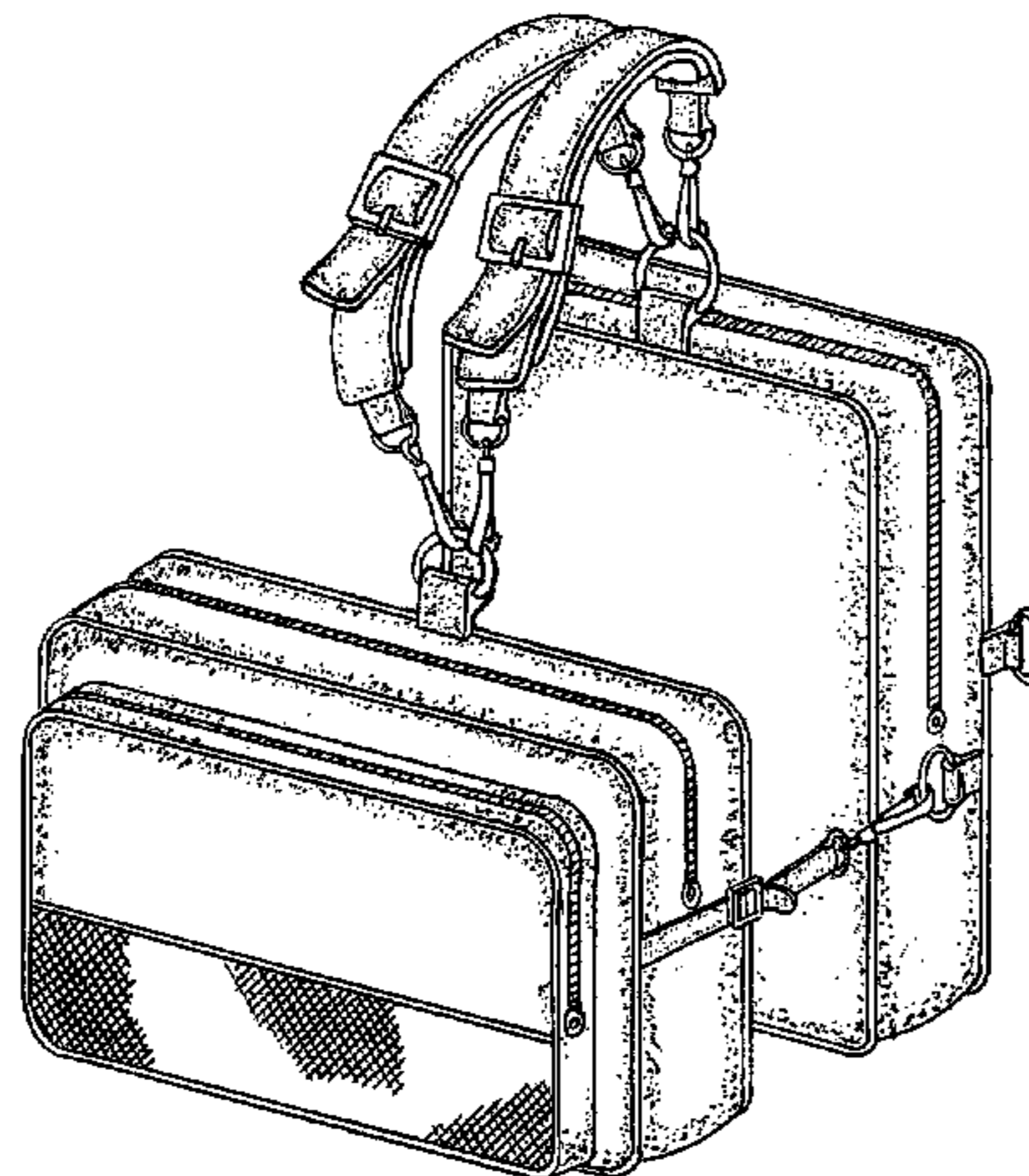
I claim the ornamental design for an orthopedic shoulder bag set, as shown and described.

DESCRIPTION

FIG. 1 is a front isometric view of my invention;
 FIG. 2 is a front elevation view thereof;
 FIG. 3 is a rear elevation view thereof;
 FIG. 4 is a top view thereof;
 FIG. 5 is a bottom view thereof;
 FIG. 6 is a right side view thereof, the left side being a mirror image; and,
 FIG. 7 is a detail view of an end portion of a shoulder strap with hook, such as seen in FIG. 1.

The broken lines in the figures are illustrative of environment and form no part of the claimed design.

1 Claim, 3 Drawing Sheets



US D605,849 S

Page 2

U.S. PATENT DOCUMENTS

6,832,711	B2	12/2004	Black				
6,837,409	B2	1/2005	Lemanski, II				
6,837,832	B2 *	1/2005	Hanners et al.	482/105			
6,863,201	B2	3/2005	Esqueda				
					D509,627	S *	9/2005 Willows et al. D29/101.2
					D544,708	S *	6/2007 Barker D3/216
					D552,350	S	10/2007 Bosley
					2005/0274765	A1 *	12/2005 Fischel 224/609

* cited by examiner

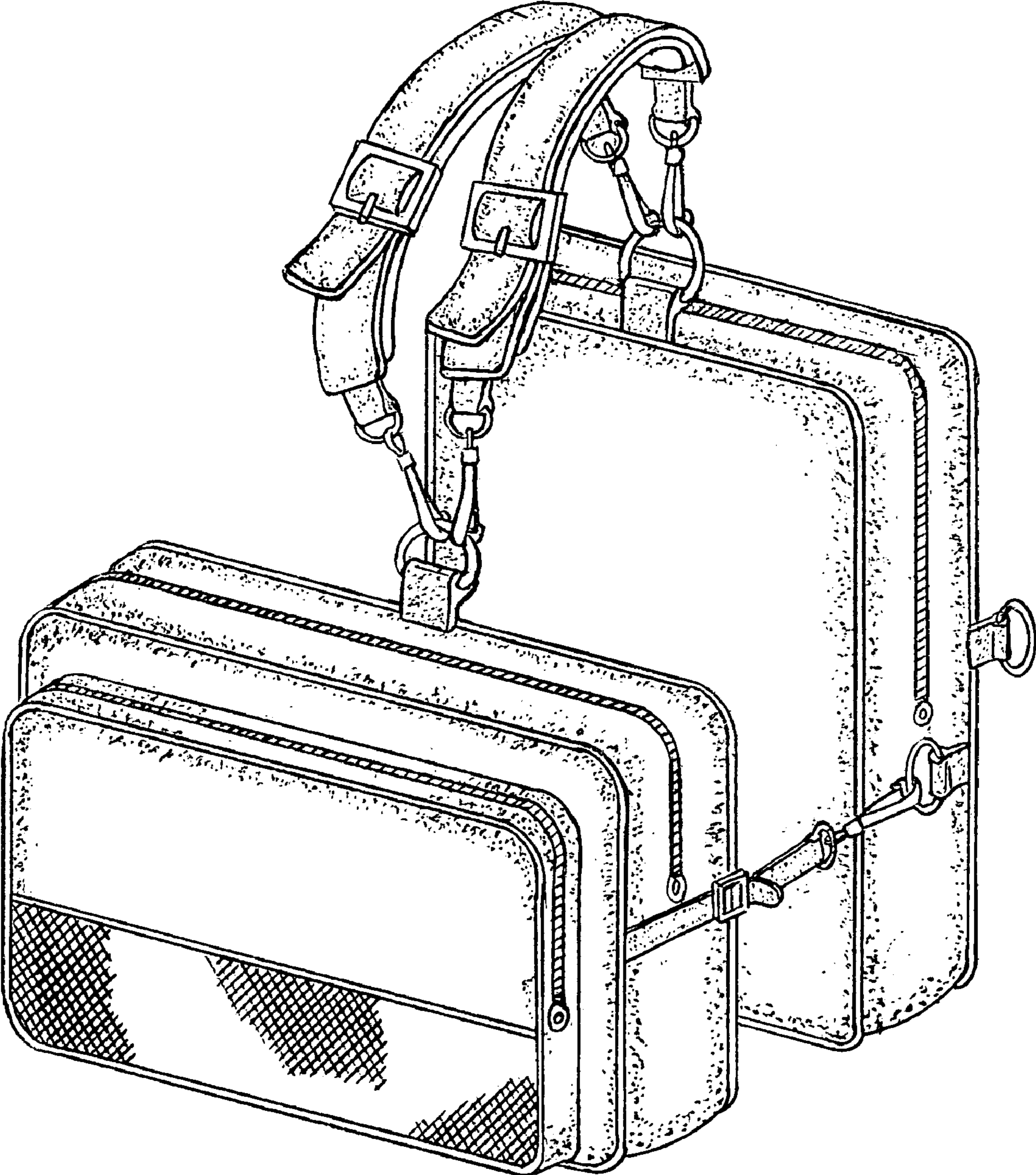


Fig. 1

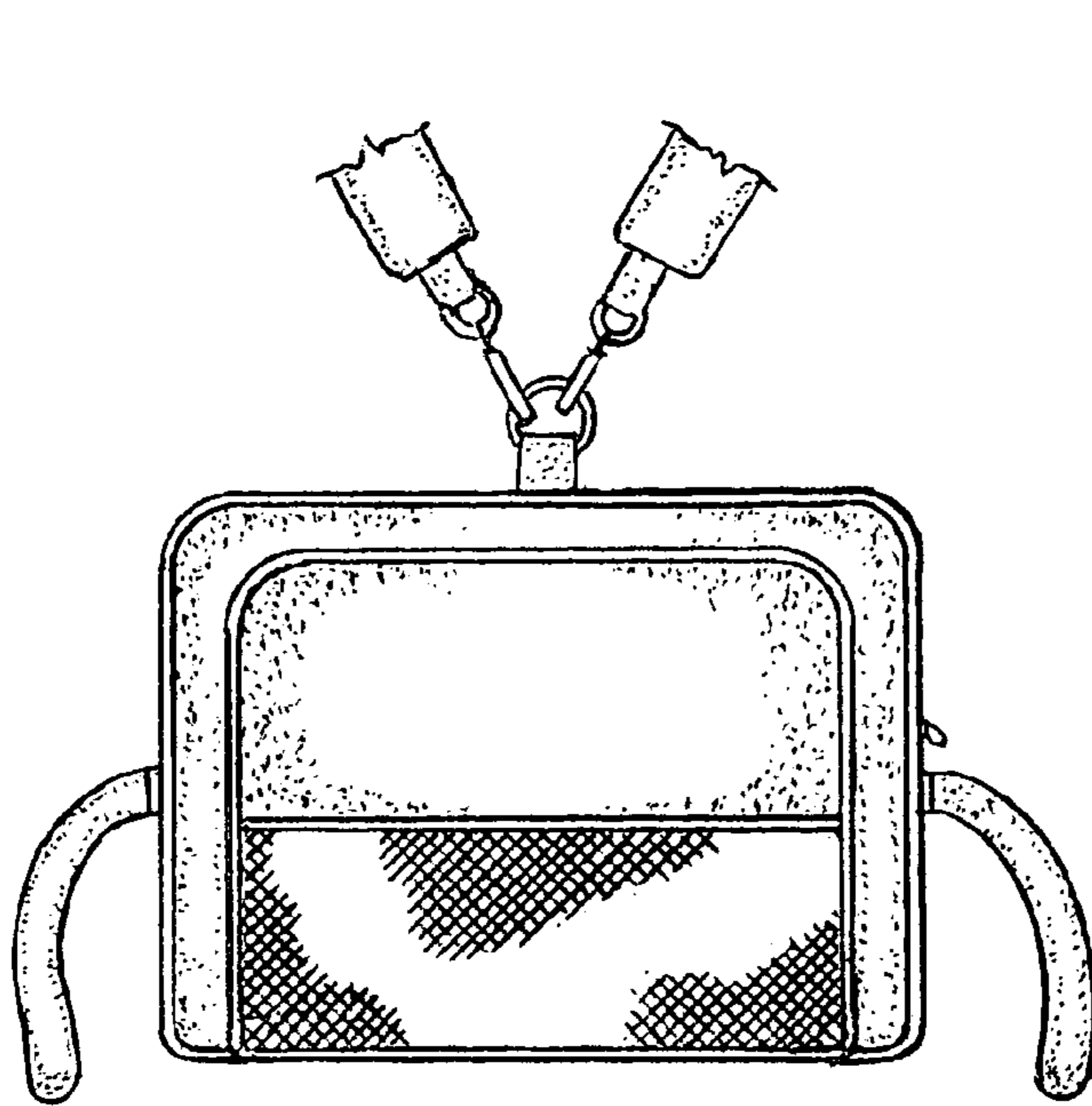


Fig. 2

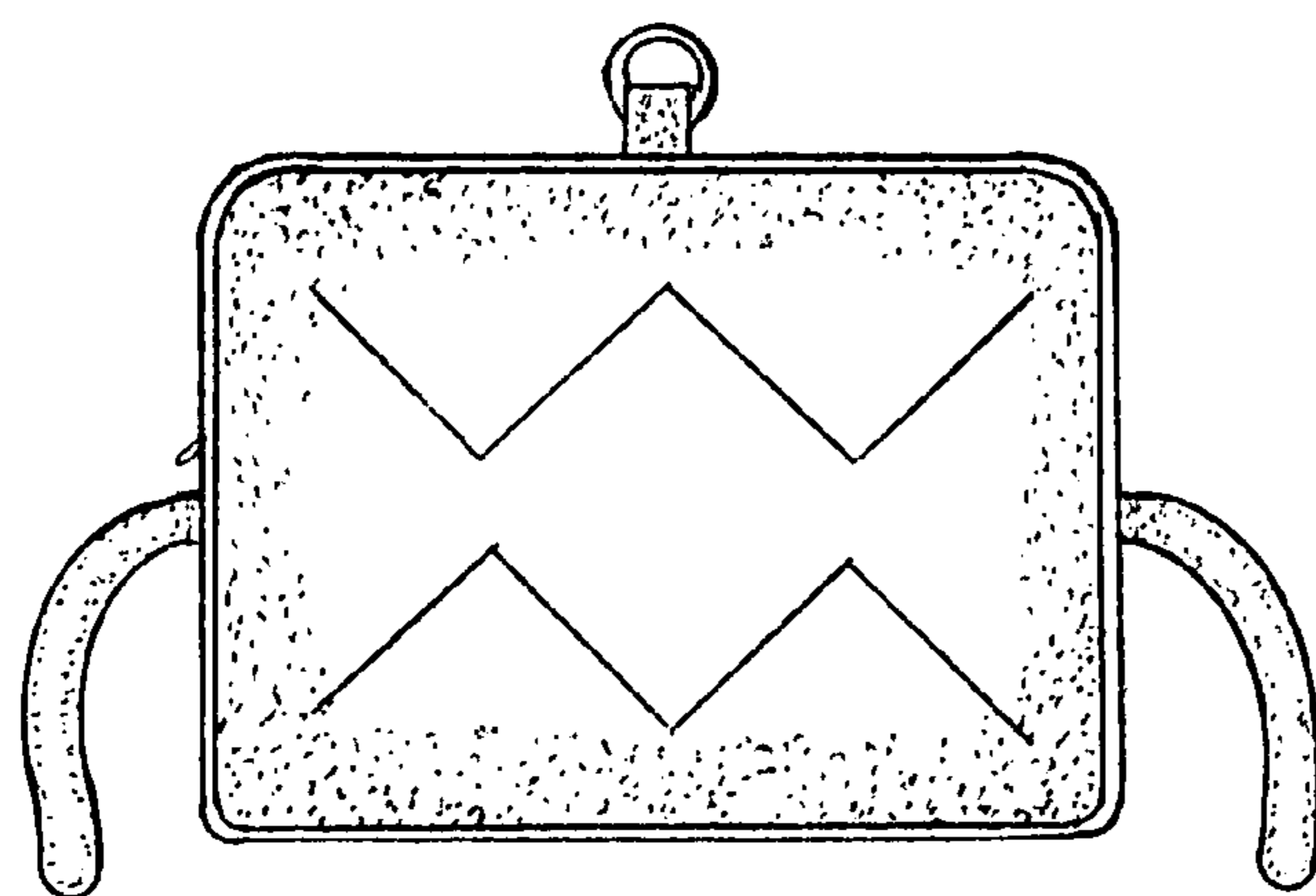
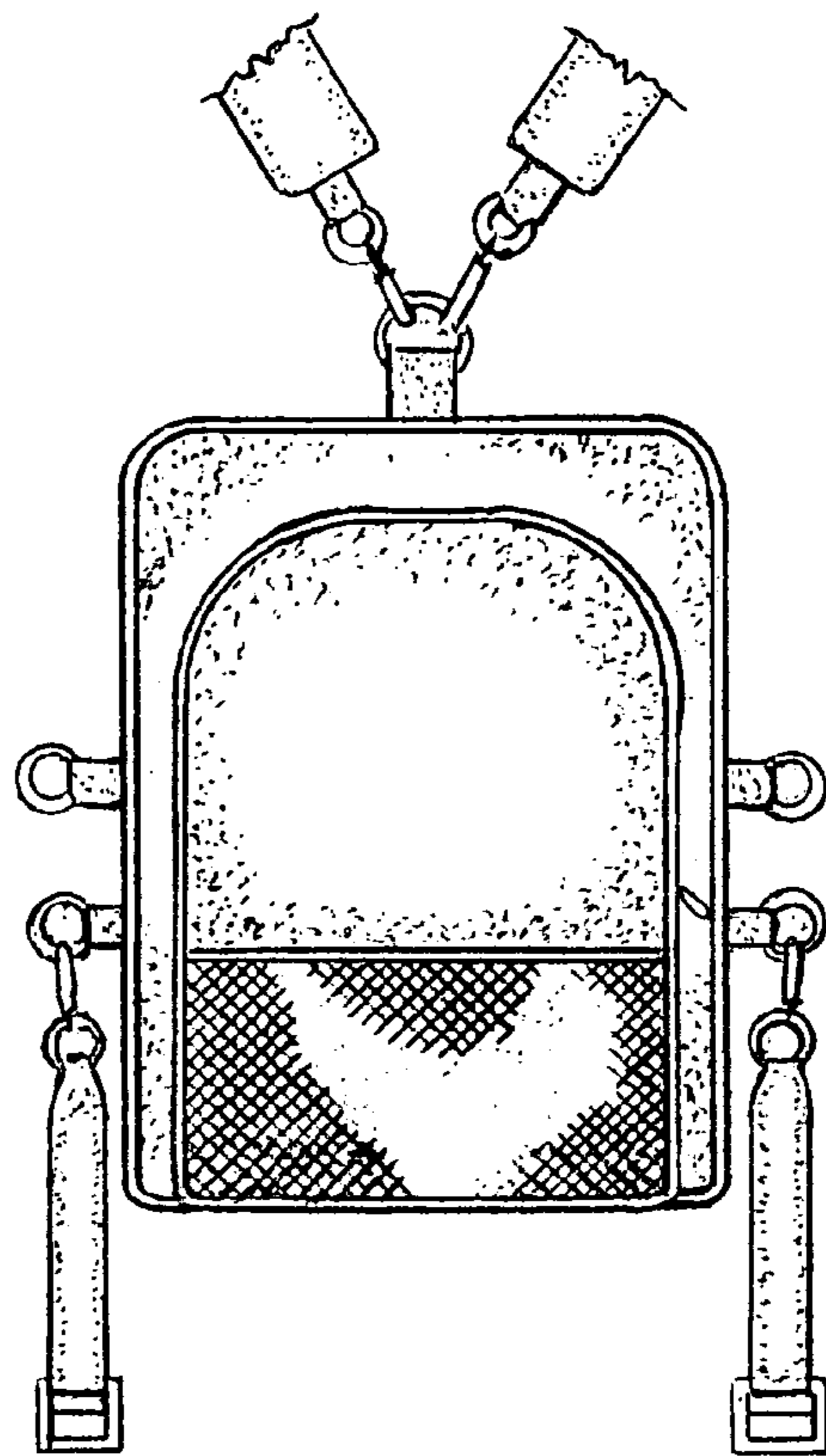
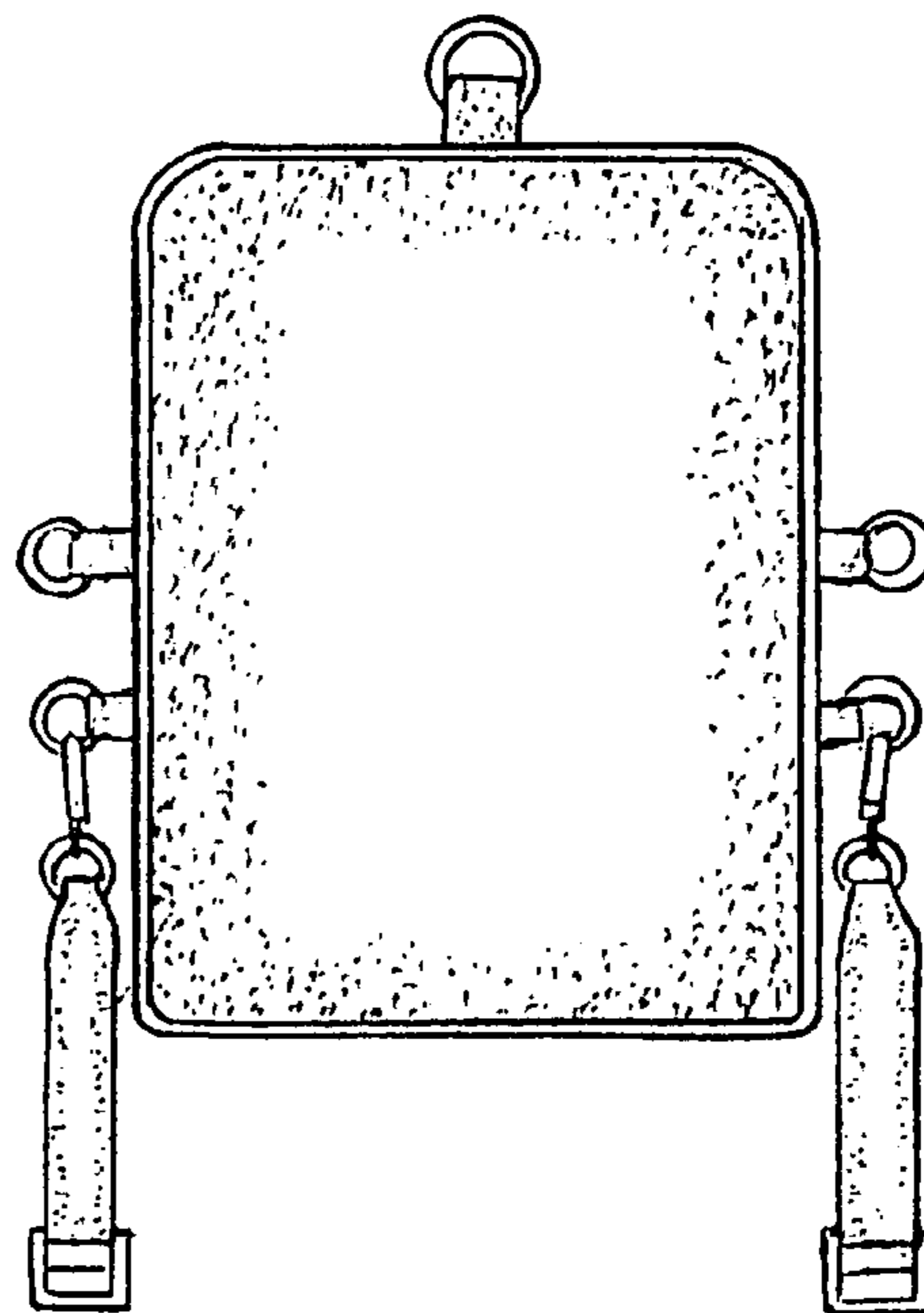


Fig. 3



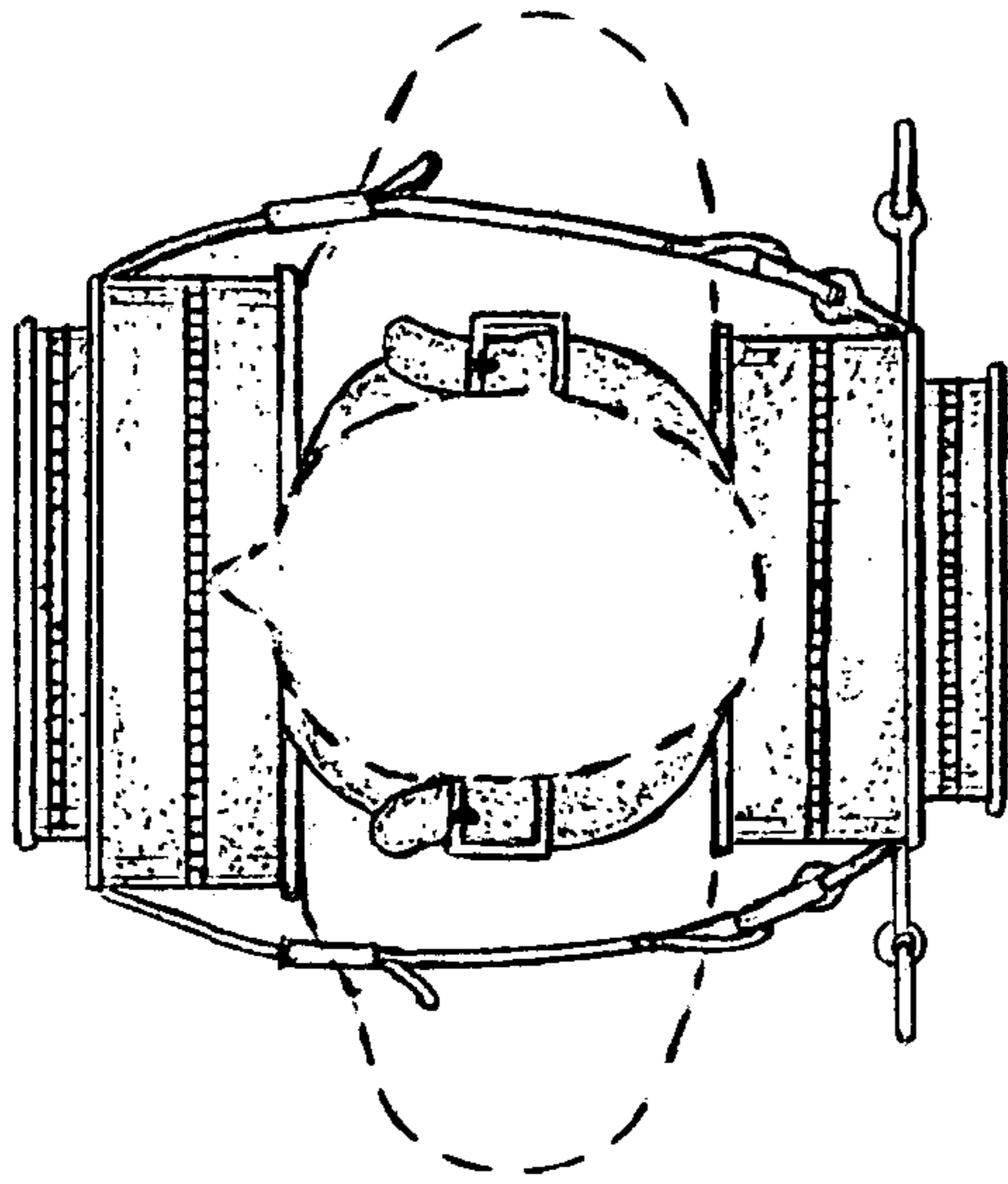


Fig. 4

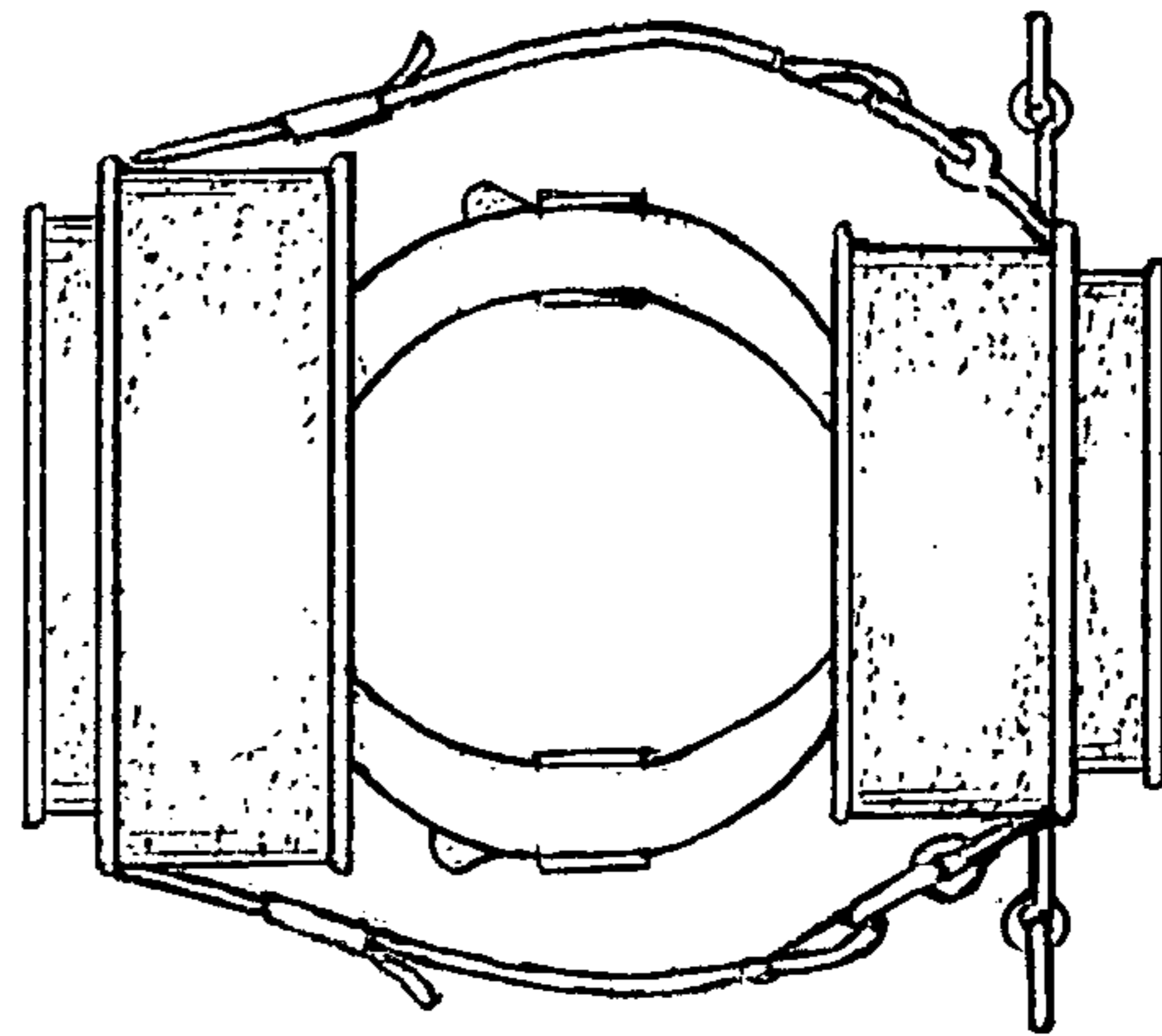


Fig. 5

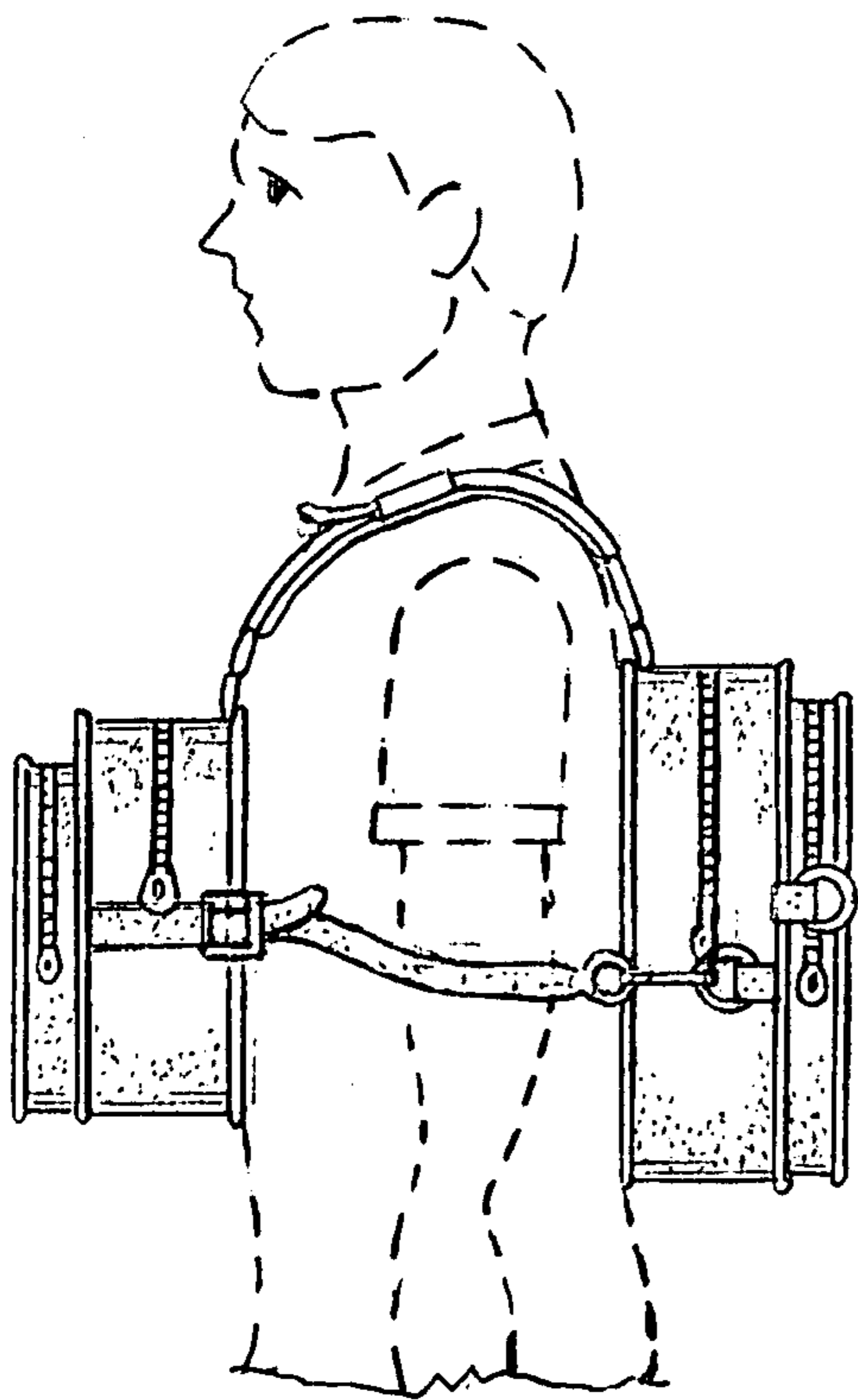


Fig. 6

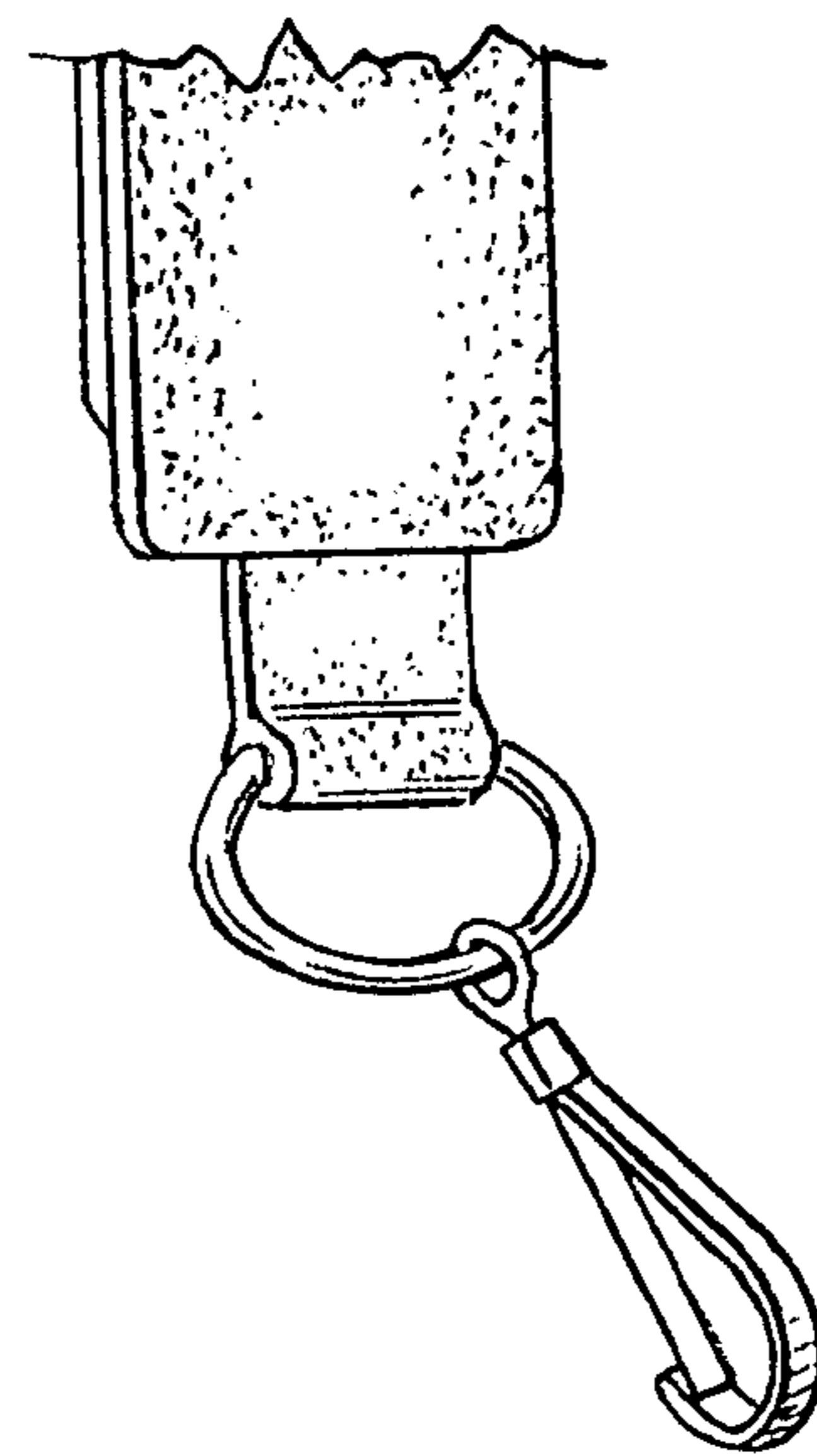


Fig. 7