



US00D605848S

(12) **United States Design Patent**
Ramclam

(10) **Patent No.:** **US D605,848 S**

(45) **Date of Patent:** **** Dec. 15, 2009**

(54) **BEVERAGE CARRYING VEST**

(76) Inventor: **Robert M. Ramclam**, 420 NW. 87th Rd.
Apt# 201, Plantation, FL (US) 33324

(**) Term: **14 Years**

(21) Appl. No.: **29/331,909**

(22) Filed: **Feb. 4, 2009**

(51) **LOC (9) Cl.** **03-01**

(52) **U.S. Cl.** **D3/215; D3/229**

(58) **Field of Classification Search** D3/215,
D3/202, 228-229; D29/101.3, 101.4; D2/725;
224/148.1-148.6

See application file for complete search history.

(56) **References Cited**

U.S. PATENT DOCUMENTS

D315,242 S *	3/1991	Ruge	D29/101.4
D341,923 S *	12/1993	Kuykendall	D3/229
6,241,135 B1 *	6/2001	Thatcher	224/148.5
D501,078 S *	1/2005	Cabana	D3/215
D526,776 S *	8/2006	Riley	D3/215
D592,395 S *	5/2009	Tuck	D3/229

* cited by examiner

Primary Examiner—Catherine R Oliver

(74) *Attorney, Agent, or Firm*—QuickPatents, Inc.; Kevin Prince

(57) **CLAIM**

I claim the ornamental design for a beverage carrying vest, as shown and described.

DESCRIPTION

FIG. 1 is a perspective view of a beverage carrying vest, showing my new design;

FIG. 2 is a front elevational view of the invention;

FIG. 3 is a rear elevational view of the invention;

FIG. 4 is a left-side elevational view of the invention;

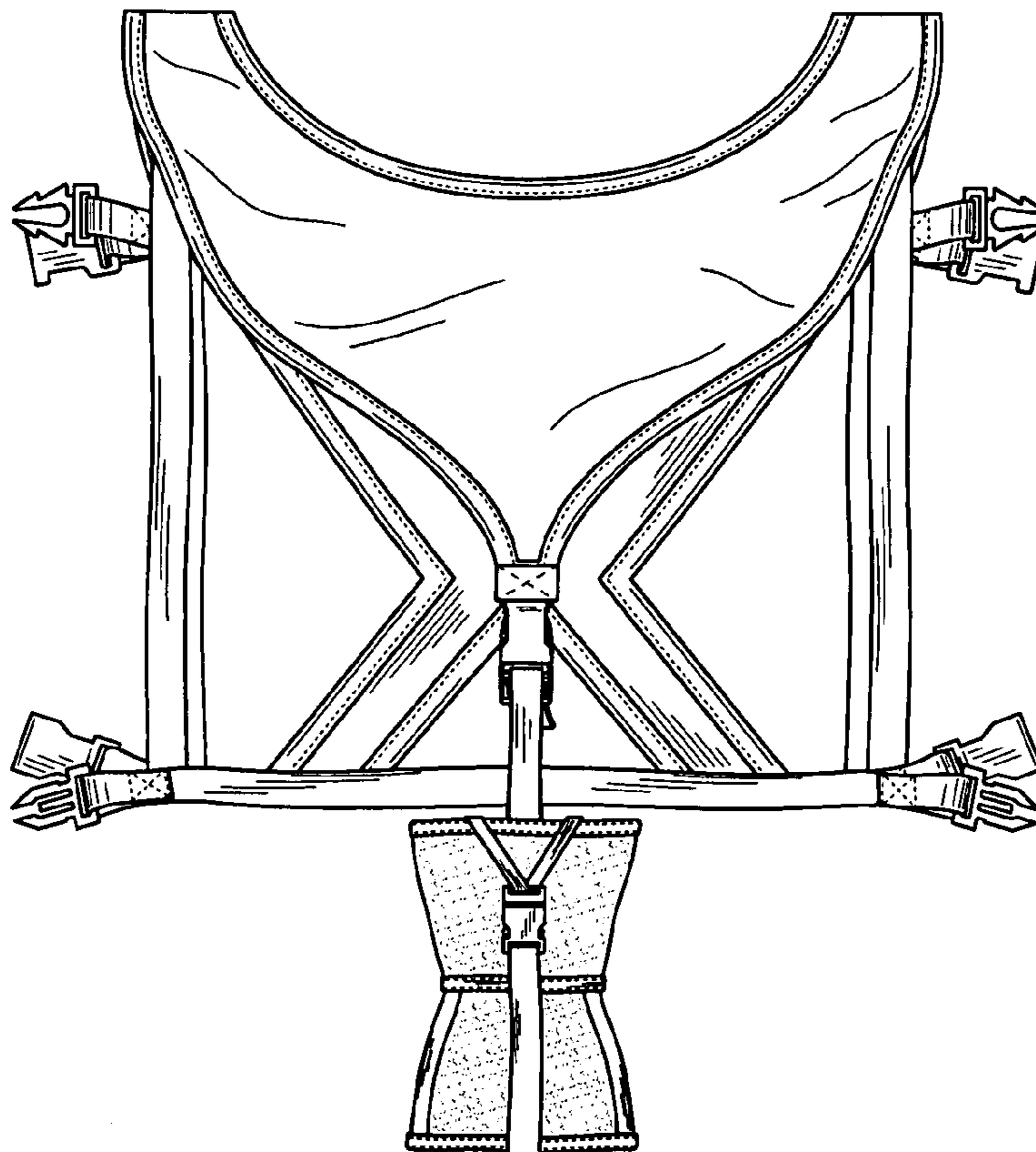
FIG. 5 is a right-side elevational view of the invention;

FIG. 6 is a top plan view of the invention; and,

FIG. 7 is a bottom plan view of the invention.

The broken lines showing a person in FIG. 1 are included for the purpose of illustrating the invention in use, and form no part of the claimed design.

1 Claim, 5 Drawing Sheets



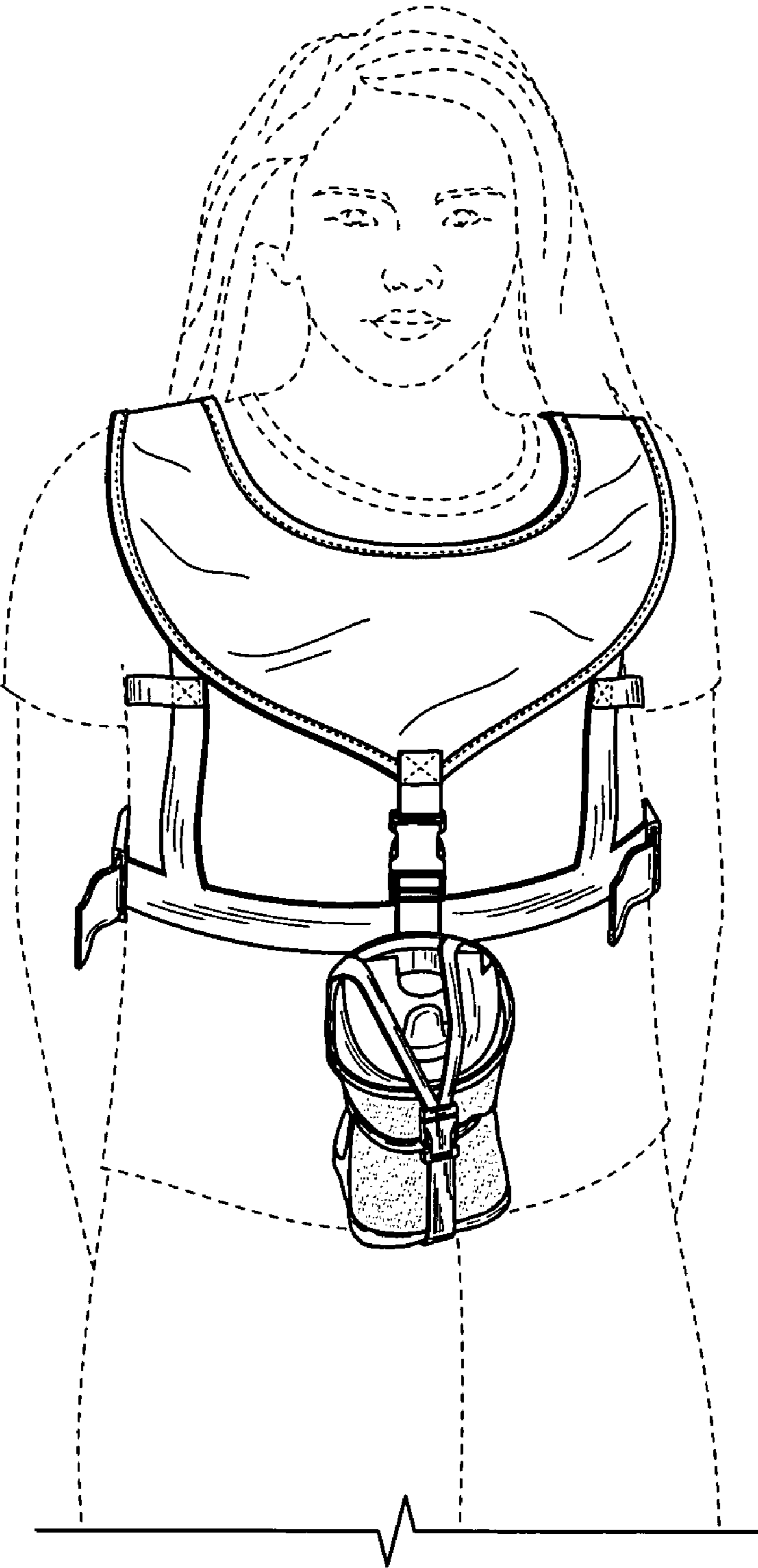


FIG. 1

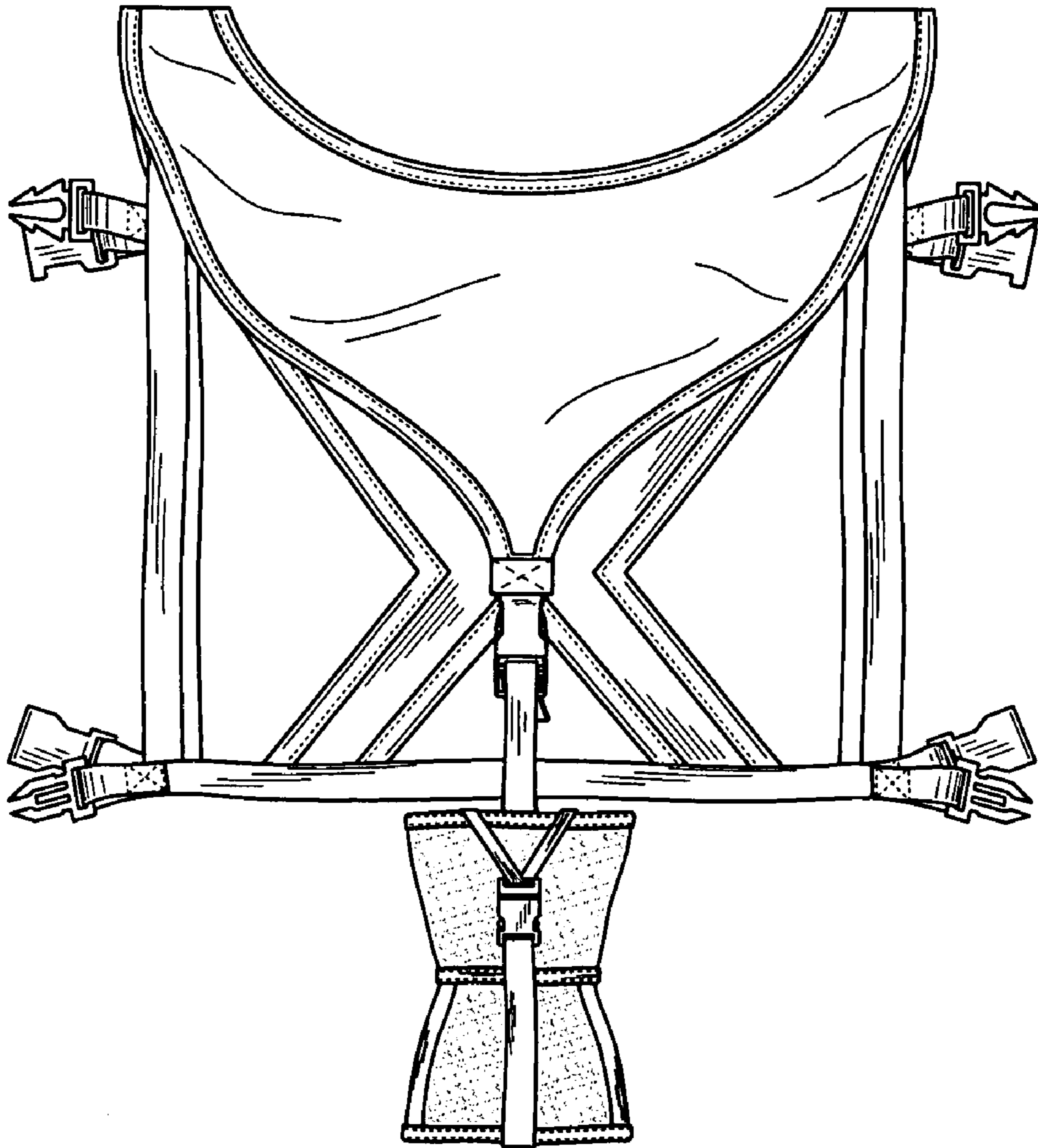


FIG. 2

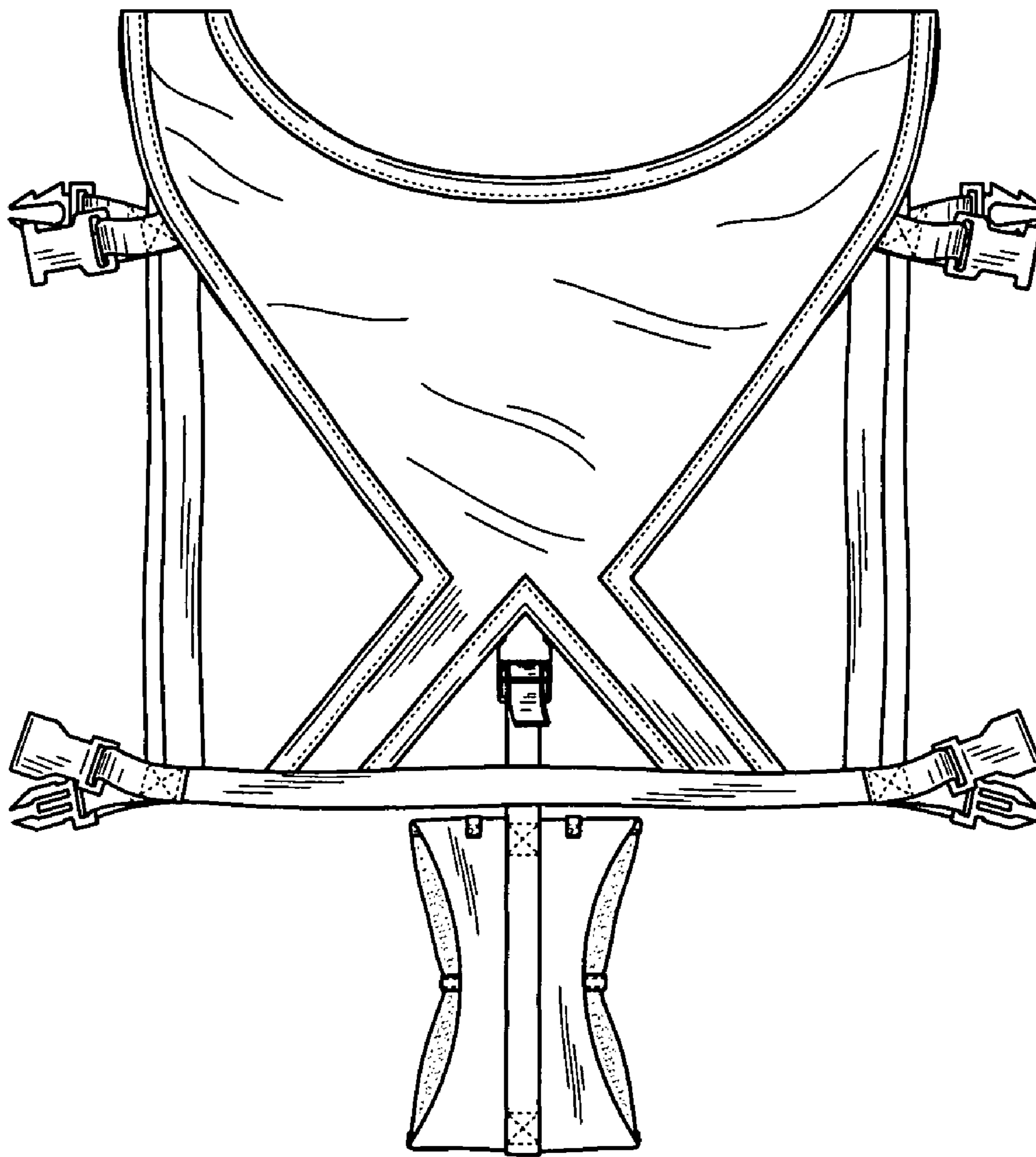


FIG. 3

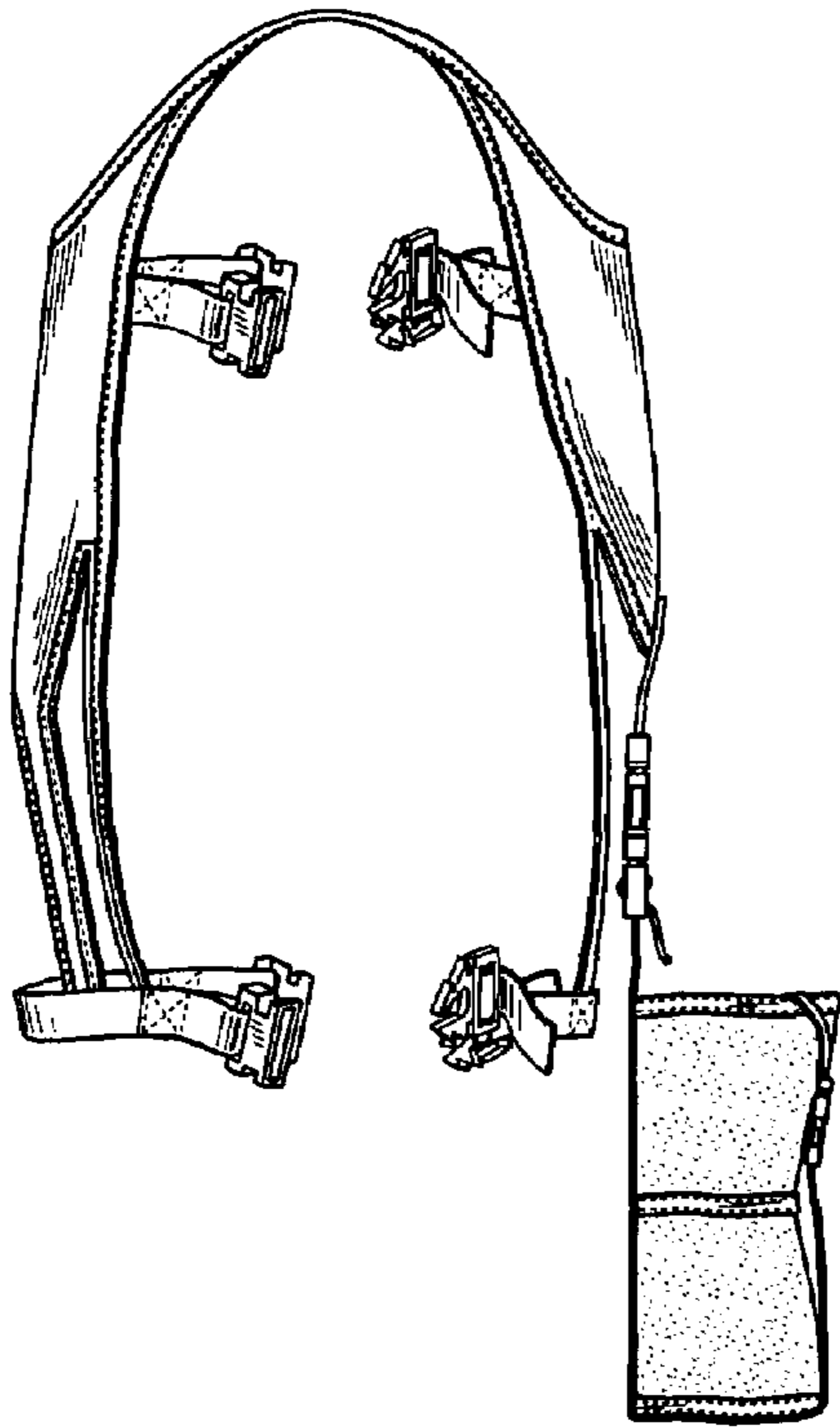


FIG. 4

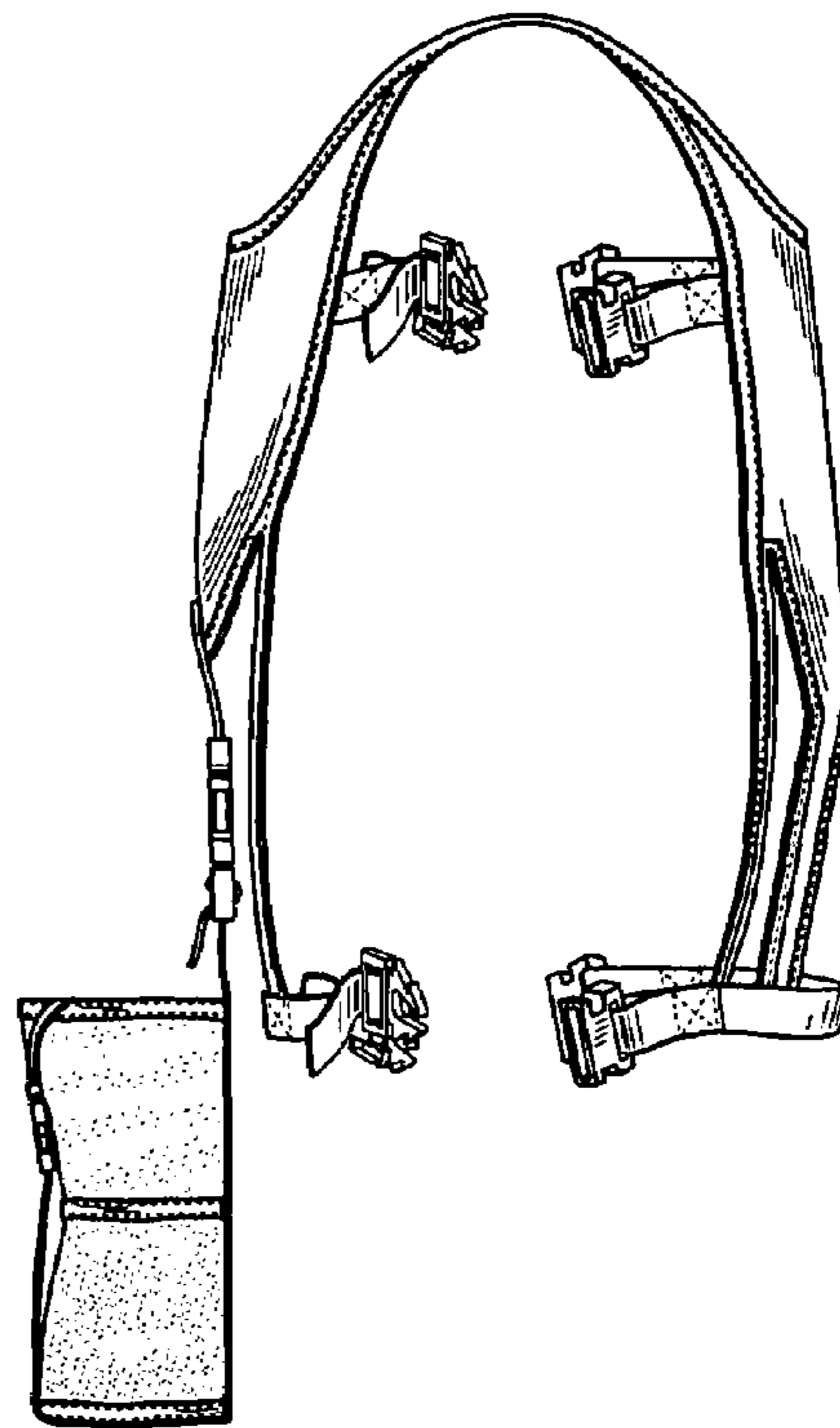


FIG. 5

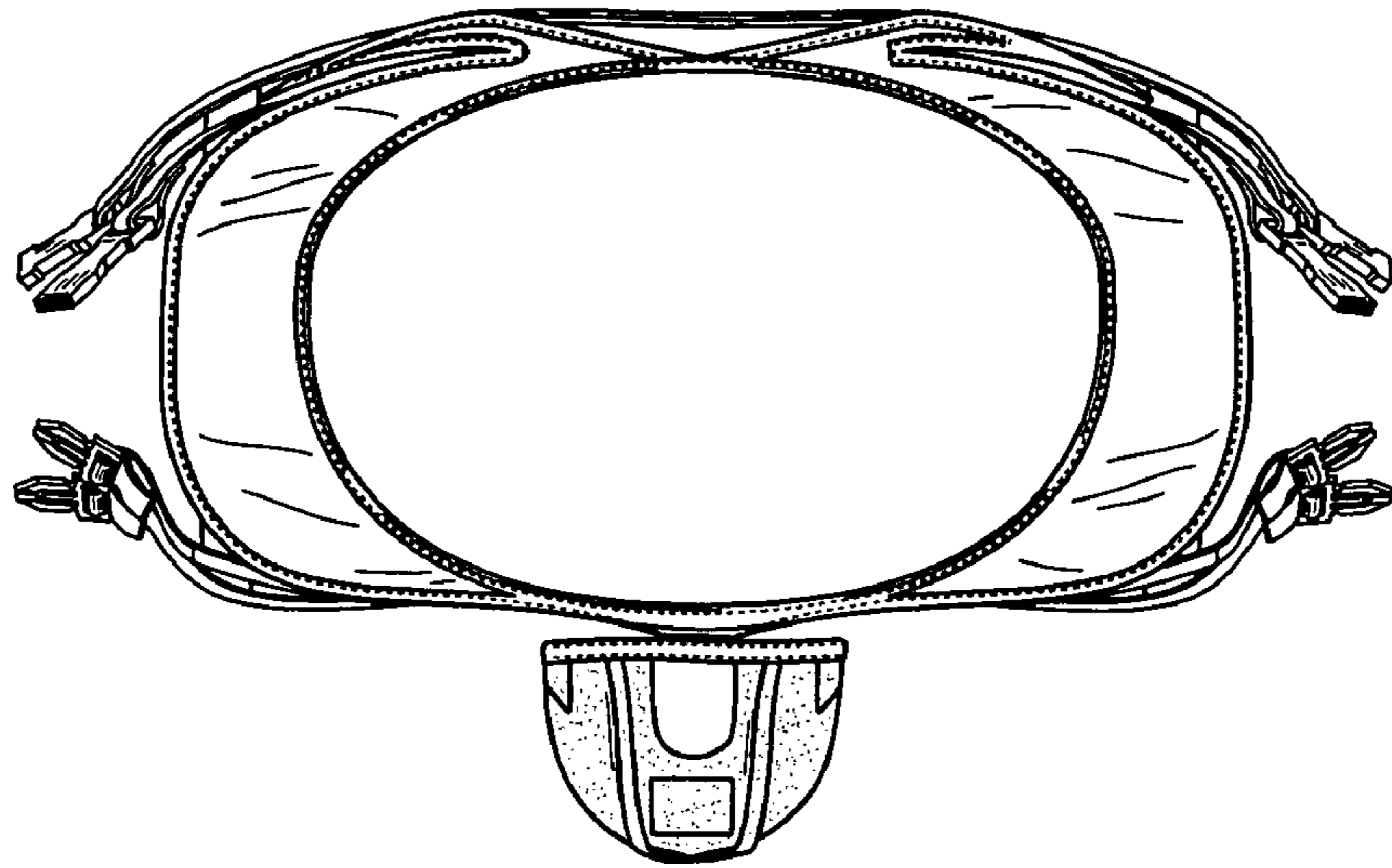


FIG. 6

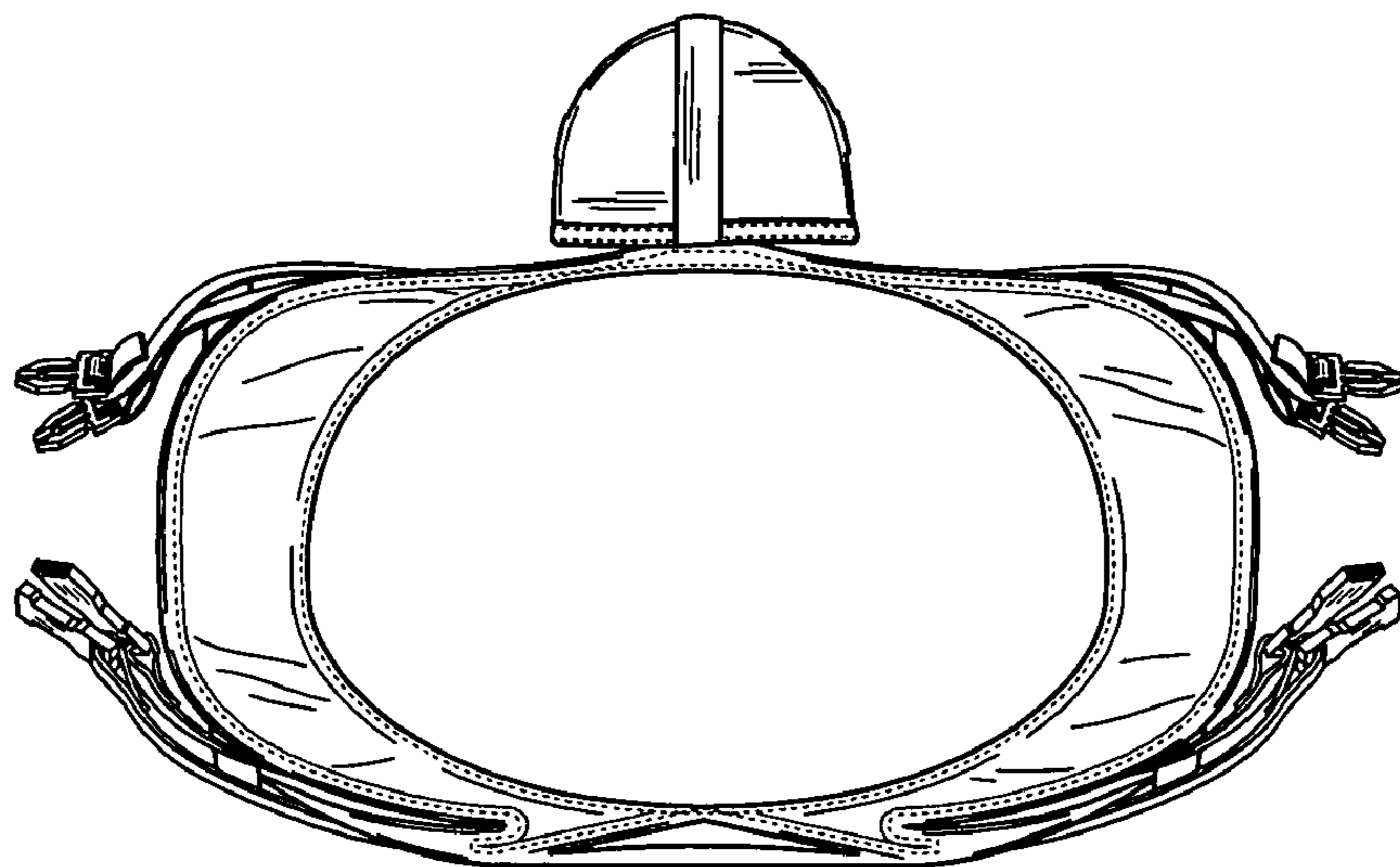


FIG. 7