



US00D605827S

(12) **United States Design Patent**
Kushner

(10) **Patent No.:** **US D605,827 S**

(45) **Date of Patent:** **** Dec. 15, 2009**

(54) **FROZEN TREAT KIT**

D597,565 S * 8/2009 Lion et al. D15/90

(76) Inventor: **Robert Gerald Kushner**, Flat G, BLock
G, Merry Terrace, 4 Seymour Road,
Mid-Levels (HK)

* cited by examiner

Primary Examiner—Cathron C Brooks

Assistant Examiner—Barbara Fox

(74) *Attorney, Agent, or Firm*—Stuart Whittington, Esq.

(**) Term: **14 Years**

(21) Appl. No.: **29/308,636**

(57) **CLAIM**

(22) Filed: **Jun. 27, 2008**

The ornamental design for a frozen treat kit, as shown and described.

(51) **LOC (9) Cl.** **01-01**

DESCRIPTION

(52) **U.S. Cl.** **D1/105; D15/90**

(58) **Field of Classification Search** D1/105–199;
D7/602, 629; D15/79, 89, 90; 249/70, 119,
249/126, 127, 129; 426/90, 91, 100–101,
426/104, 132, 134, 138, 139, 144, 421, 515

FIG. 1 is a front, side and top perspective view of a frozen treat kit showing my new design;

FIG. 2 is a front view of FIG. 1;

FIG. 3 is a side view of FIG. 1;

FIG. 4 is a top view of FIG. 1 with the stabilizing bar and grip removed for ease of illustration;

FIG. 5 is a bottom view of FIG. 4;

FIG. 6 is a front view of the frozen treat grip, shown removed from the kit of FIG. 1 for completeness of illustration;

FIG. 7 is a side view of FIG. 6; and,

FIG. 8 is a bottom, front and side perspective view of the frozen treat grip of FIG. 6, shown in its environmental use.

The broken lines shown on FIGS. 1, 2, 3, 6 and 8 are for the purpose of illustrating unclaimed portions of the frozen treat kit and form no part of the claimed design.

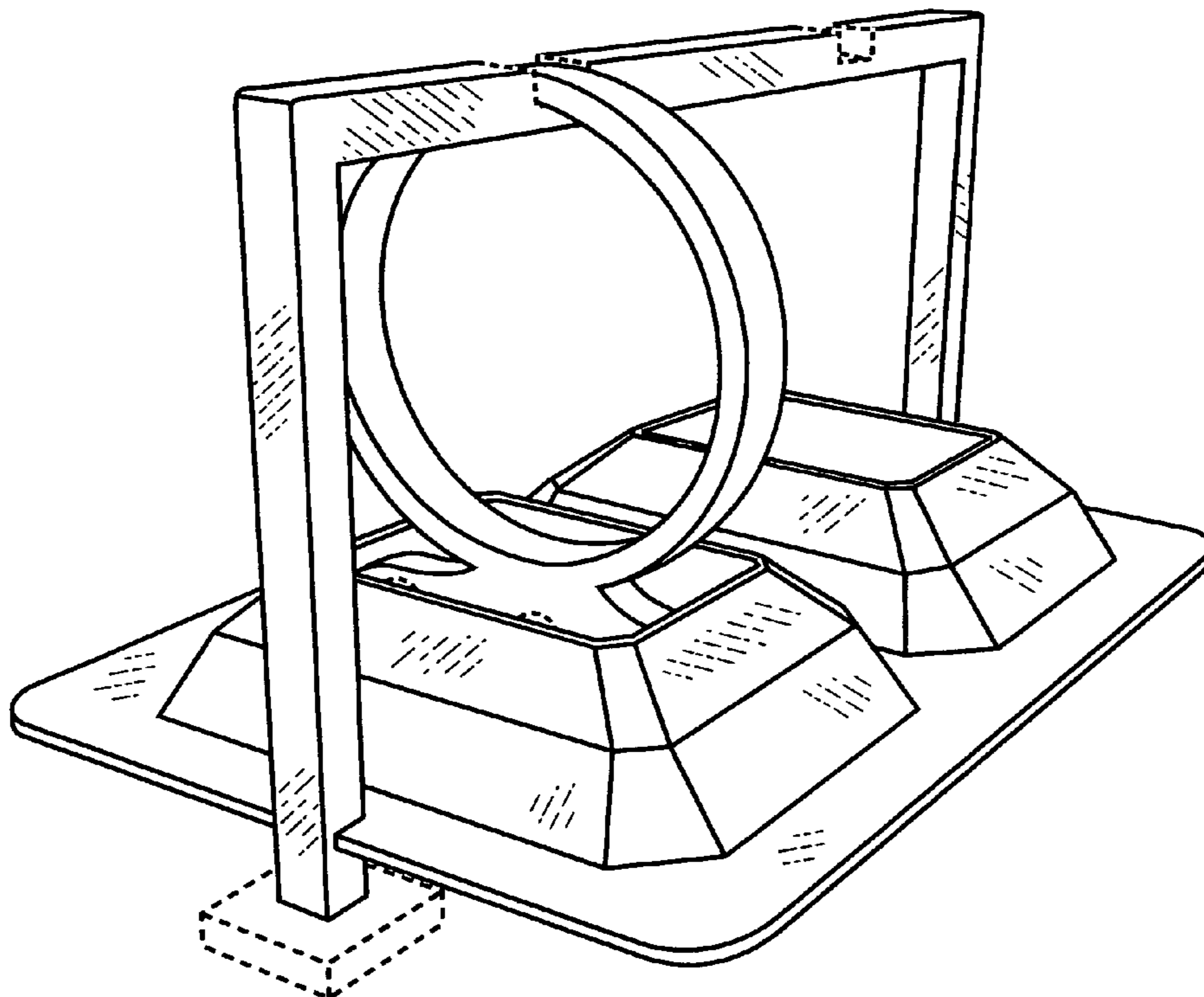
See application file for complete search history.

(56) **References Cited**

U.S. PATENT DOCUMENTS

D242,646	S	*	12/1976	Shorin et al.	D11/2
4,118,950	A	*	10/1978	Grossbard	63/32
D367,418	S	*	2/1996	Lathrop	D8/349
D397,700	S	*	9/1998	Rodgers	D15/90
D415,505	S	*	10/1999	Myers	D15/90
D456,561	S	*	4/2002	Freeman et al.	D28/8.2
D588,443	S	*	3/2009	Kelleghan	D8/356
D592,377	S	*	5/2009	Lee et al.	D1/127
D592,939	S	*	5/2009	Kelleghan	D8/356

1 Claim, 4 Drawing Sheets



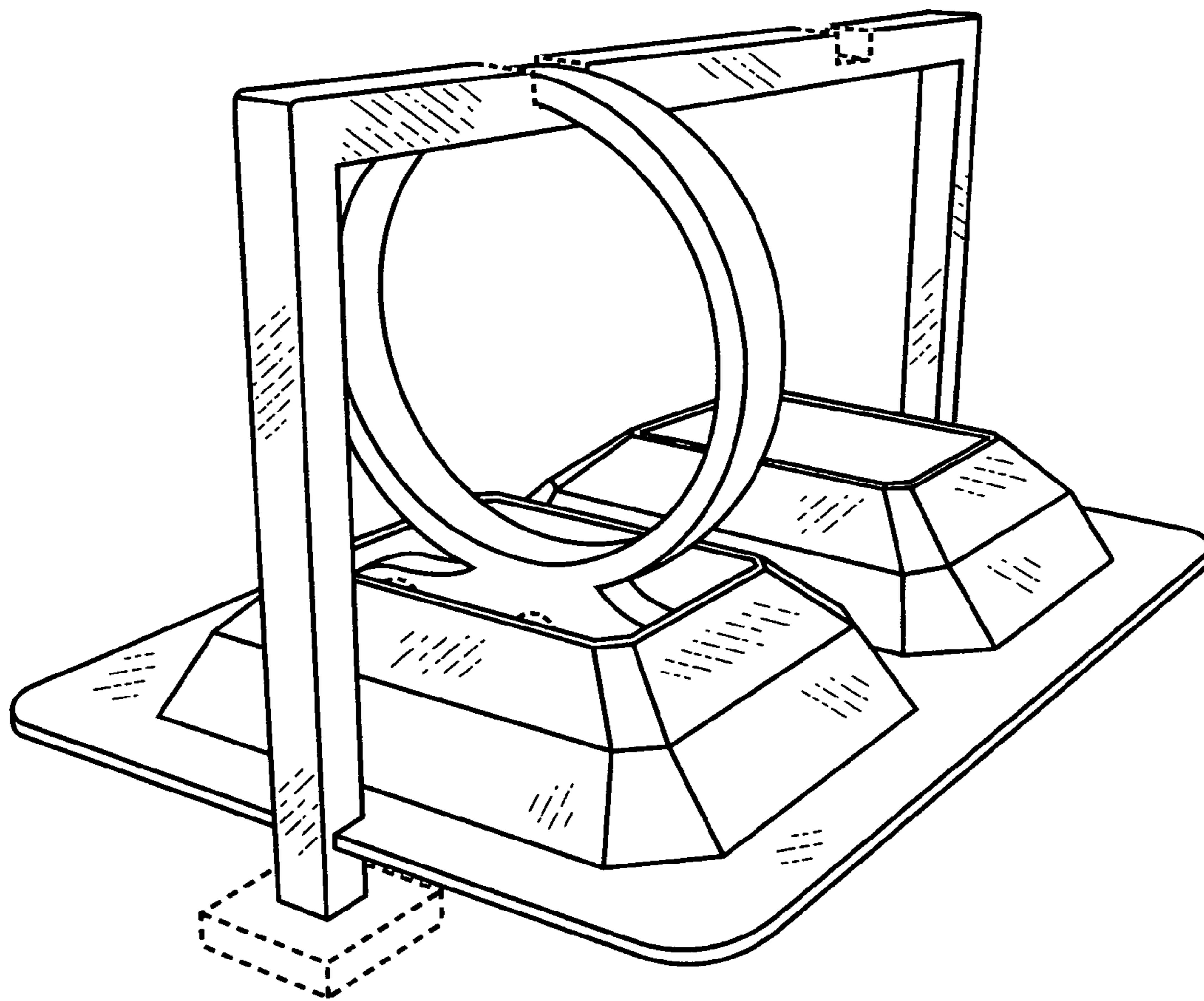


Fig. 1

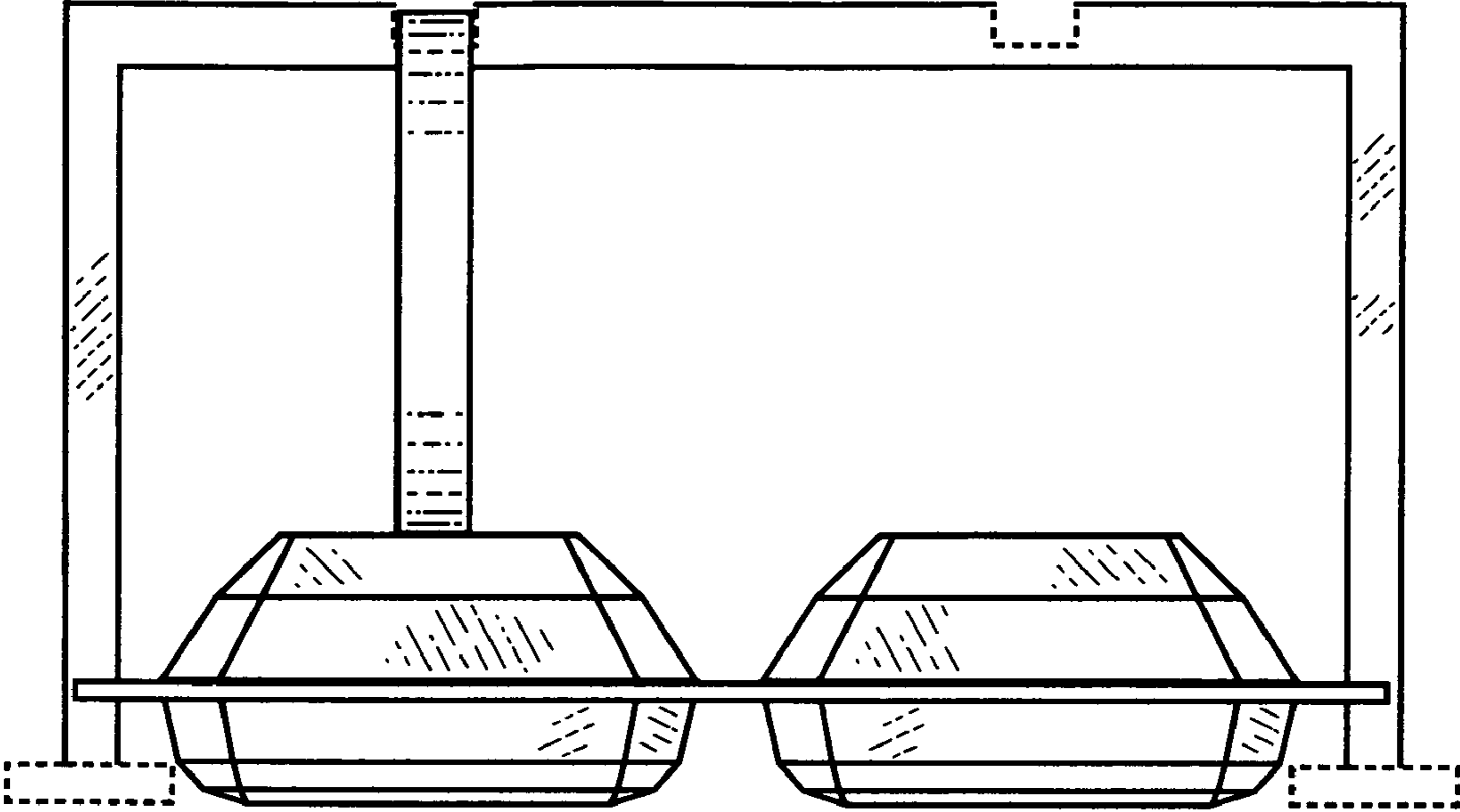


Fig. 2

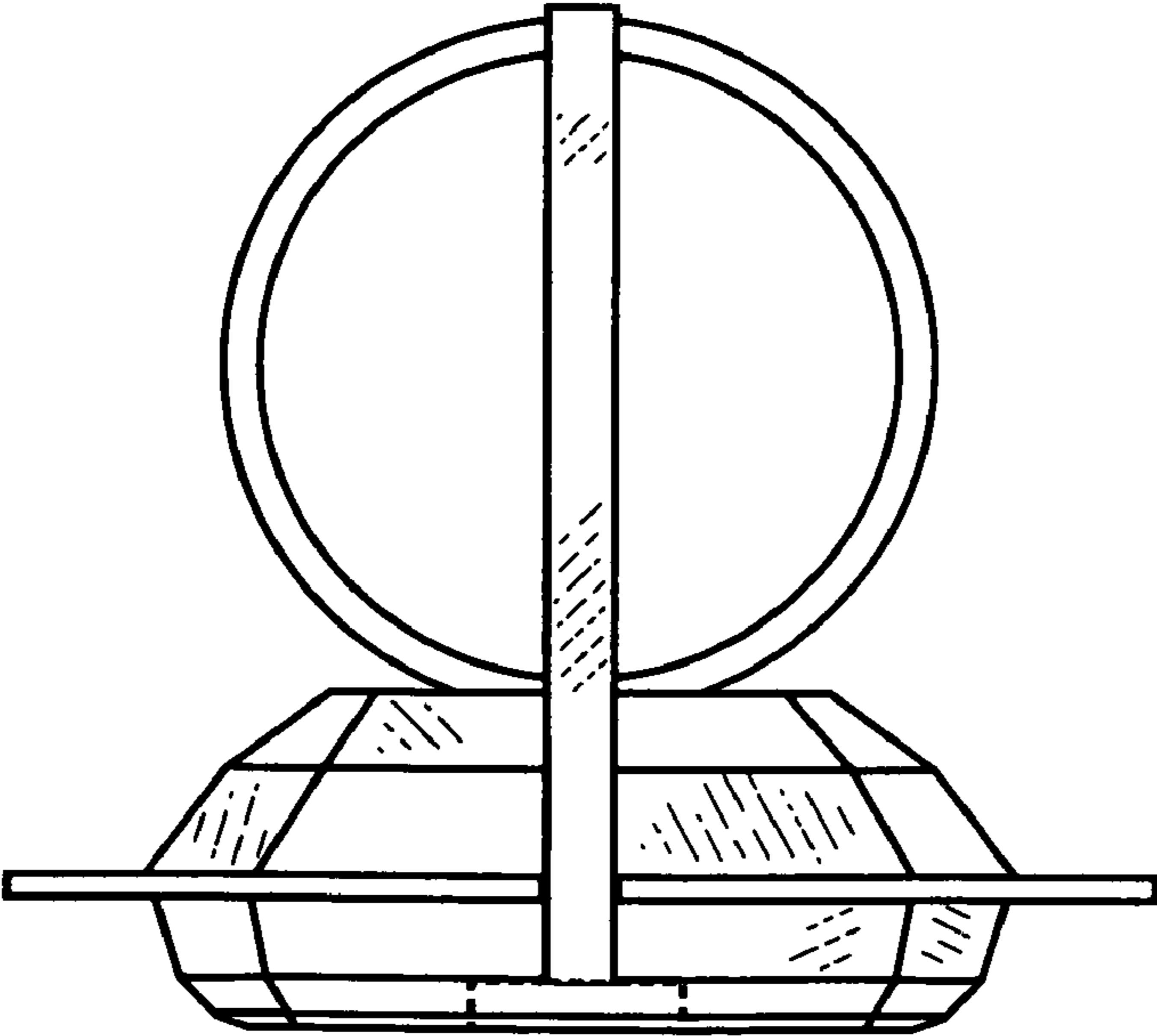


Fig. 3

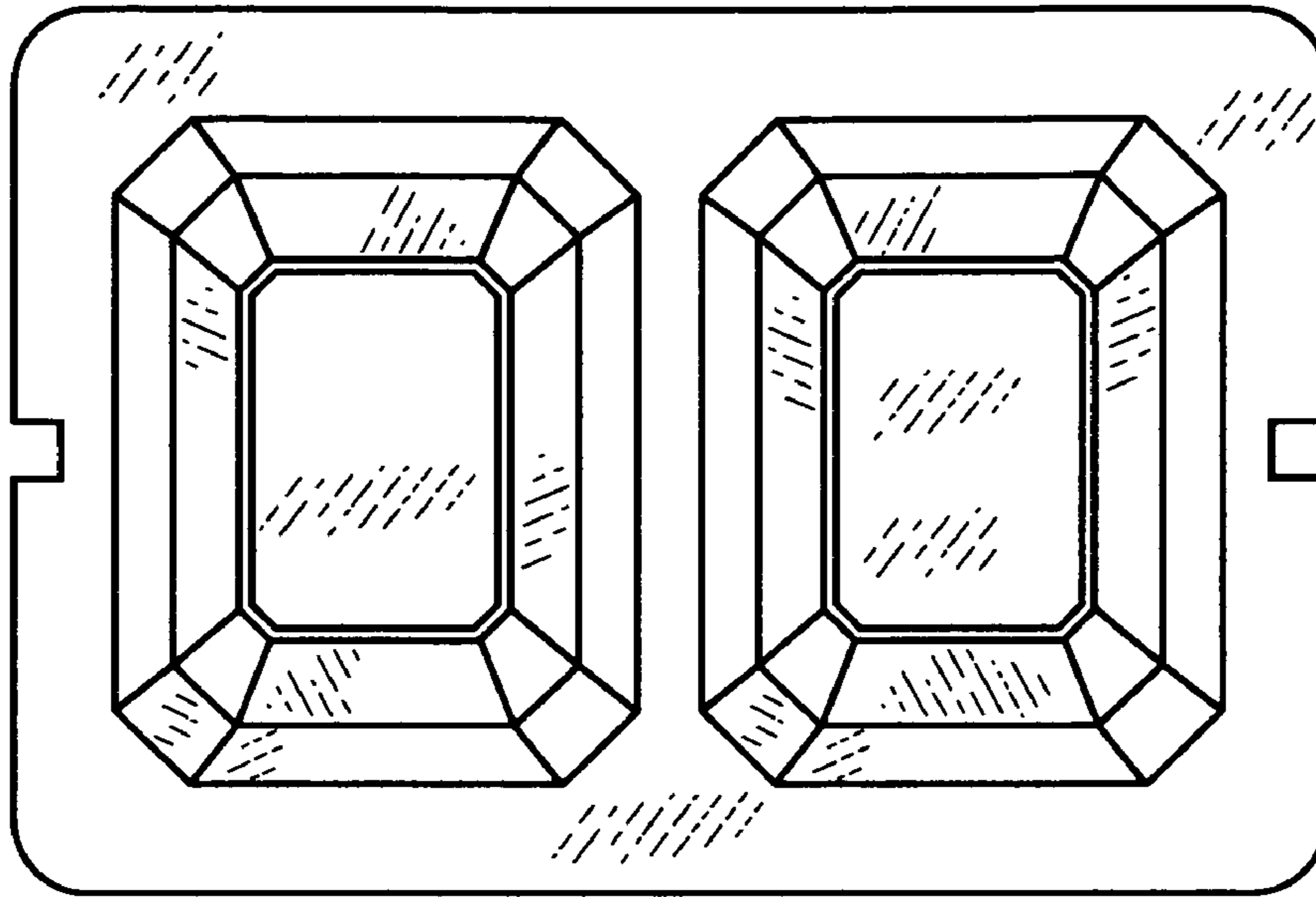


Fig. 4

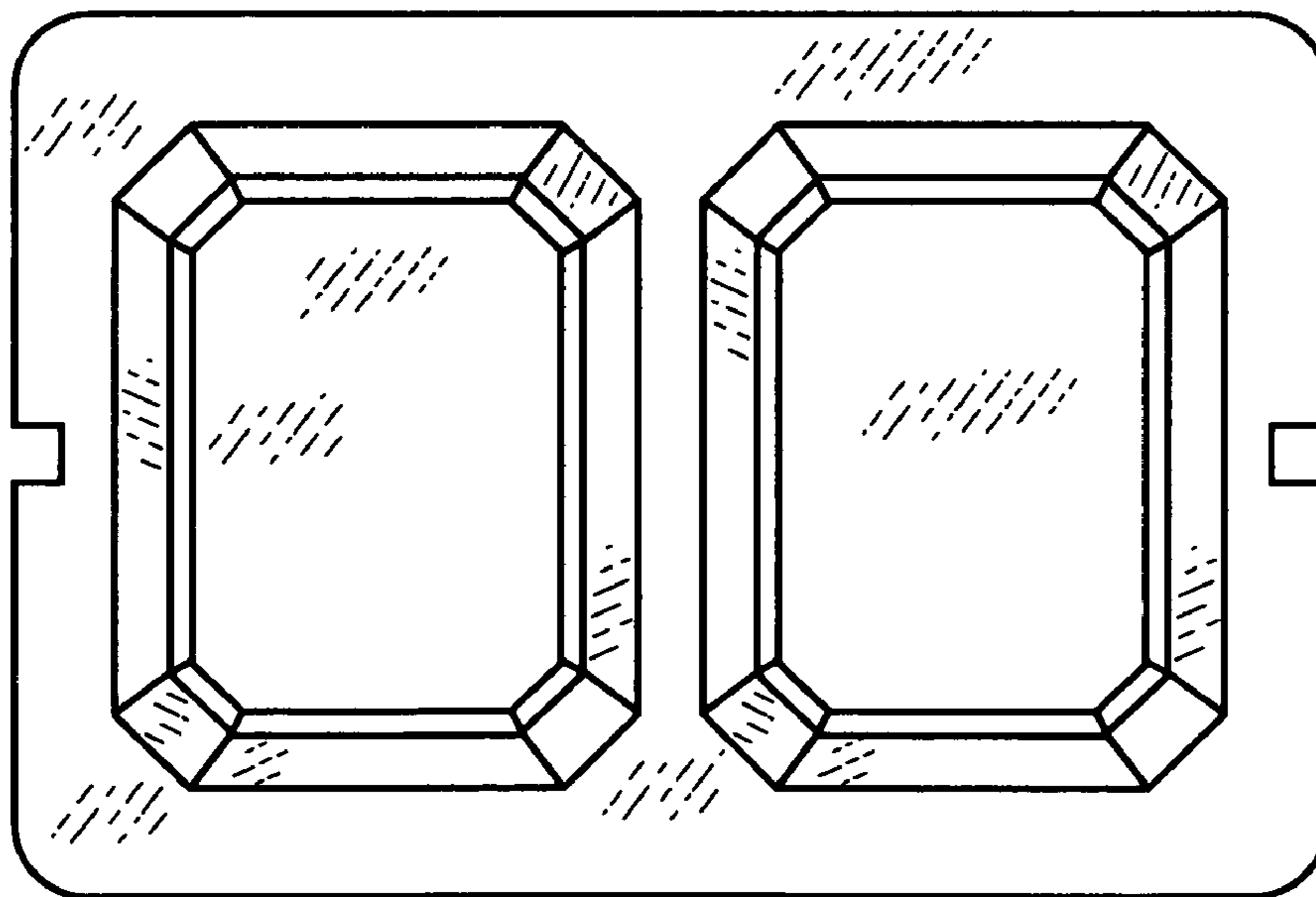


Fig. 5

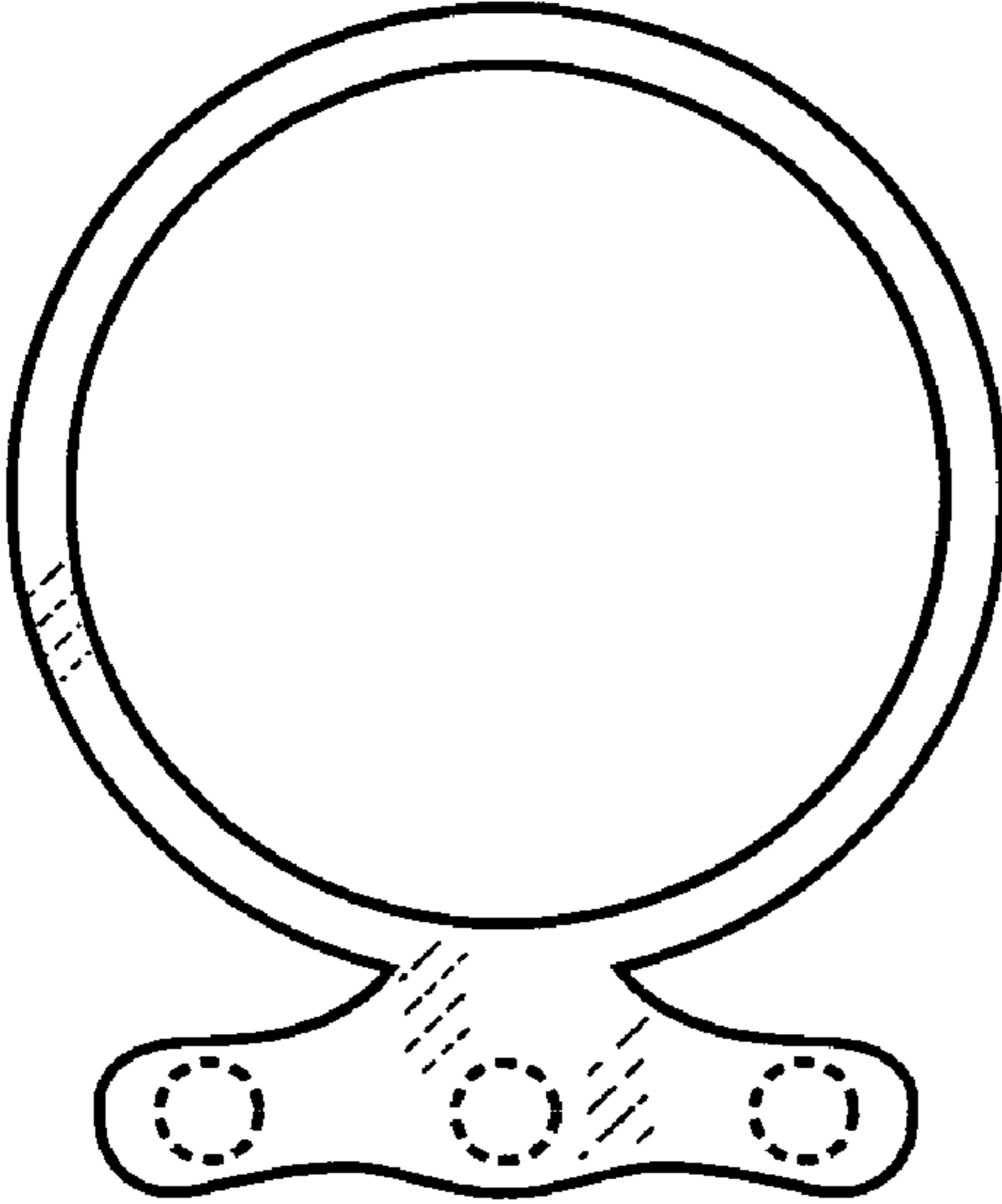


Fig. 6



Fig. 7

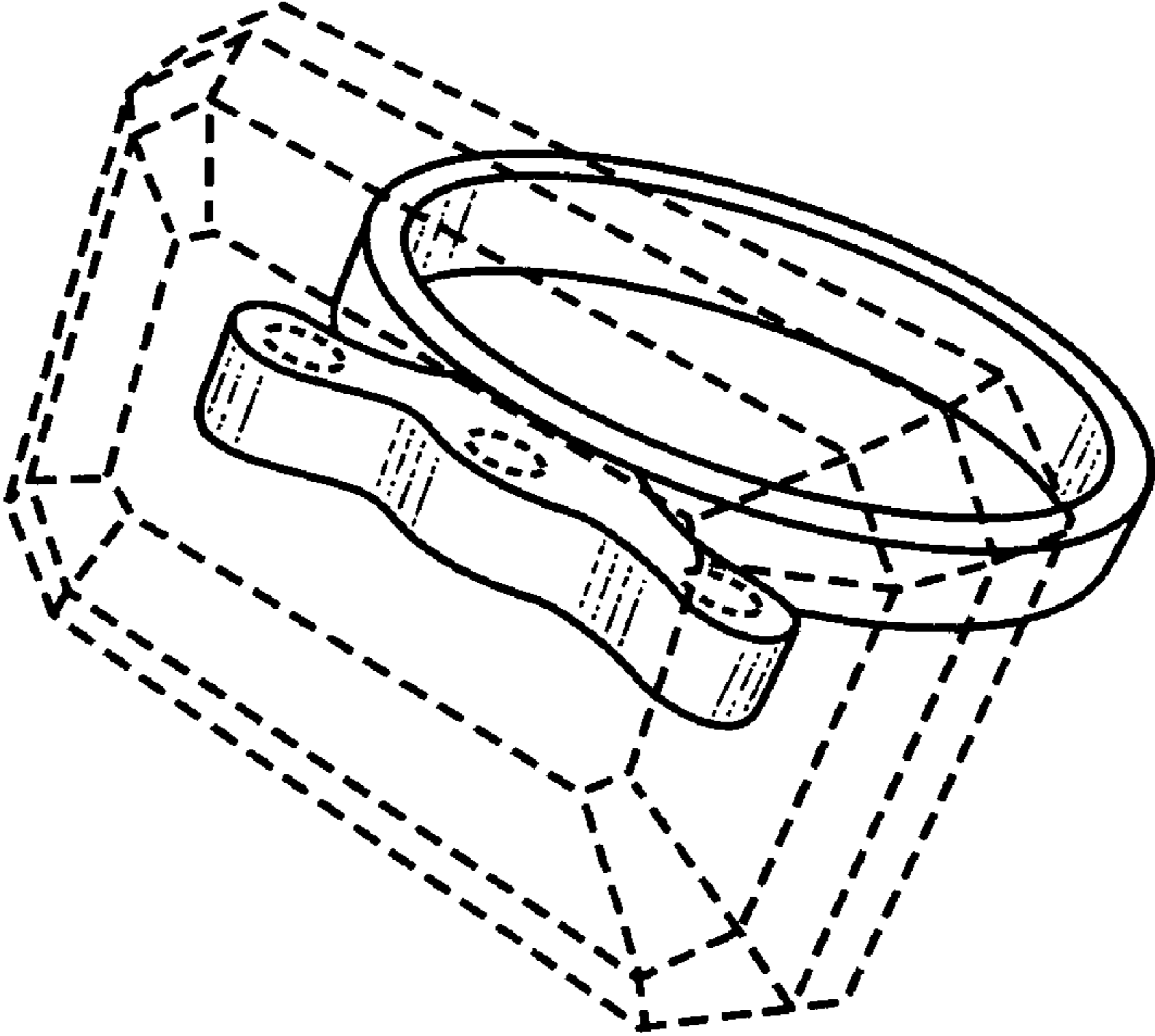


Fig. 8