



US00D605825S

(12) **United States Design Patent**
Townend et al.

(10) **Patent No.:** **US D605,825 S**
(45) **Date of Patent:** **** Dec. 8, 2009**

(54) **ENCLOSED TRACK**

(75) Inventors: **Andy Townend**, Houston, TX (US);
Robert A. Ross, Houston, TX (US)

(73) Assignee: **Flexible Lifeline Systems, Inc.**,
Houston, TX (US)

(**) Term: **14 Years**

(21) Appl. No.: **29/298,603**

(22) Filed: **Dec. 7, 2007**

(51) **LOC (9) Cl.** **12-05**

(52) **U.S. Cl.** **D34/35**

(58) **Field of Classification Search** D34/28,
D34/33, 34, 35, 36, 29; D8/377, 380; 182/36,
182/37, 69.5, 3, 10

See application file for complete search history.

(56) **References Cited**

U.S. PATENT DOCUMENTS

3,870,122	A *	3/1975	Faucheux	182/36
4,271,927	A *	6/1981	Brown et al.	182/36
D440,023	S *	4/2001	Morhaus	D34/35
6,269,904	B1 *	8/2001	Morhaus	182/36
7,303,049	B1 *	12/2007	Greenlee	182/37
2002/0179368	A1 *	12/2002	Evangelista	182/3
2007/0017741	A1 *	1/2007	Martinez et al.	182/69.6

* cited by examiner

Primary Examiner—Doris Clark

(74) *Attorney, Agent, or Firm*—Baker & McKenzie LLP

(57) **CLAIM**

The ornamental design for an enclosed track, as shown and described.

DESCRIPTION

FIG. 1 is a top perspective view of a enclosed track in accordance with our design, wherein portions are shown broken away to indicate indeterminate length;

FIG. 2 is a front elevation view of the enclosed track in accordance with our design, the opposite side being a mirror image of that shown;

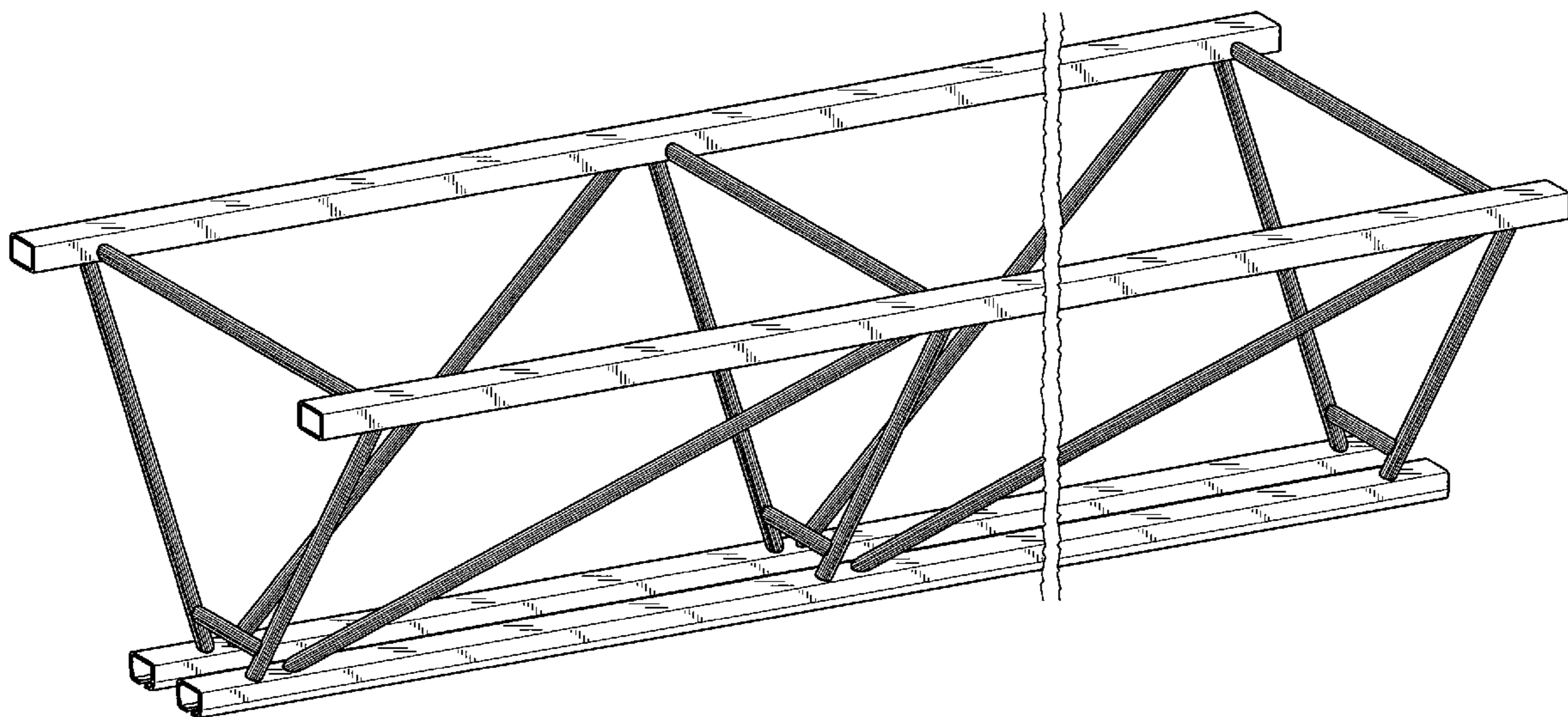
FIG. 3 is a back elevation view of the enclosed track in accordance with our design;

FIG. 4 is a side elevation view of the enclosed track in accordance with our design, the opposite side being a mirror image of that shown and wherein portions are shown broken away to indicate indeterminate length;

FIG. 5 is a top plan view of the enclosed track in accordance with our design, wherein portions are shown broken away to indicate indeterminate length; and,

FIG. 6 is a bottom plan view of the enclosed track in accordance with our design, wherein portions are shown broken away to indicate indeterminate length.

1 Claim, 3 Drawing Sheets



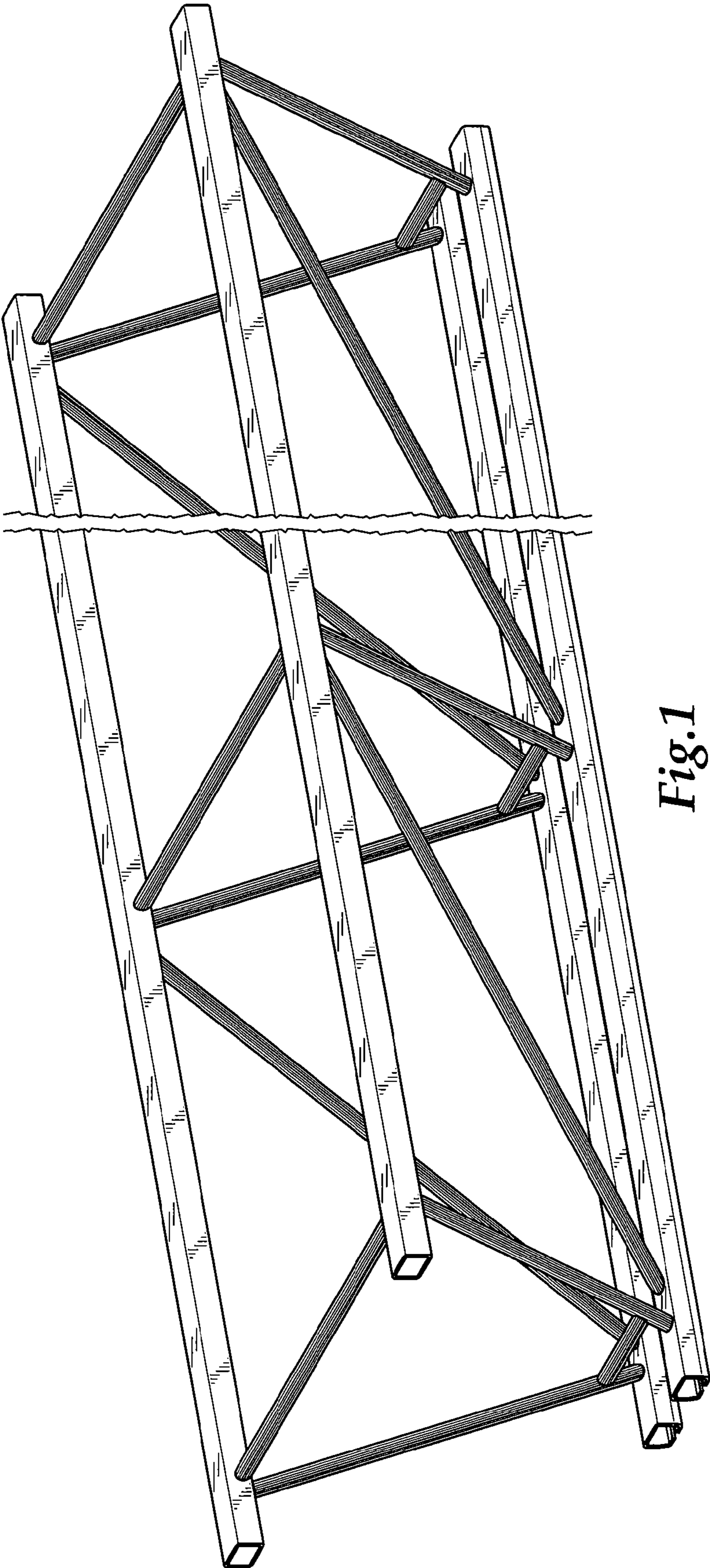


Fig. 1

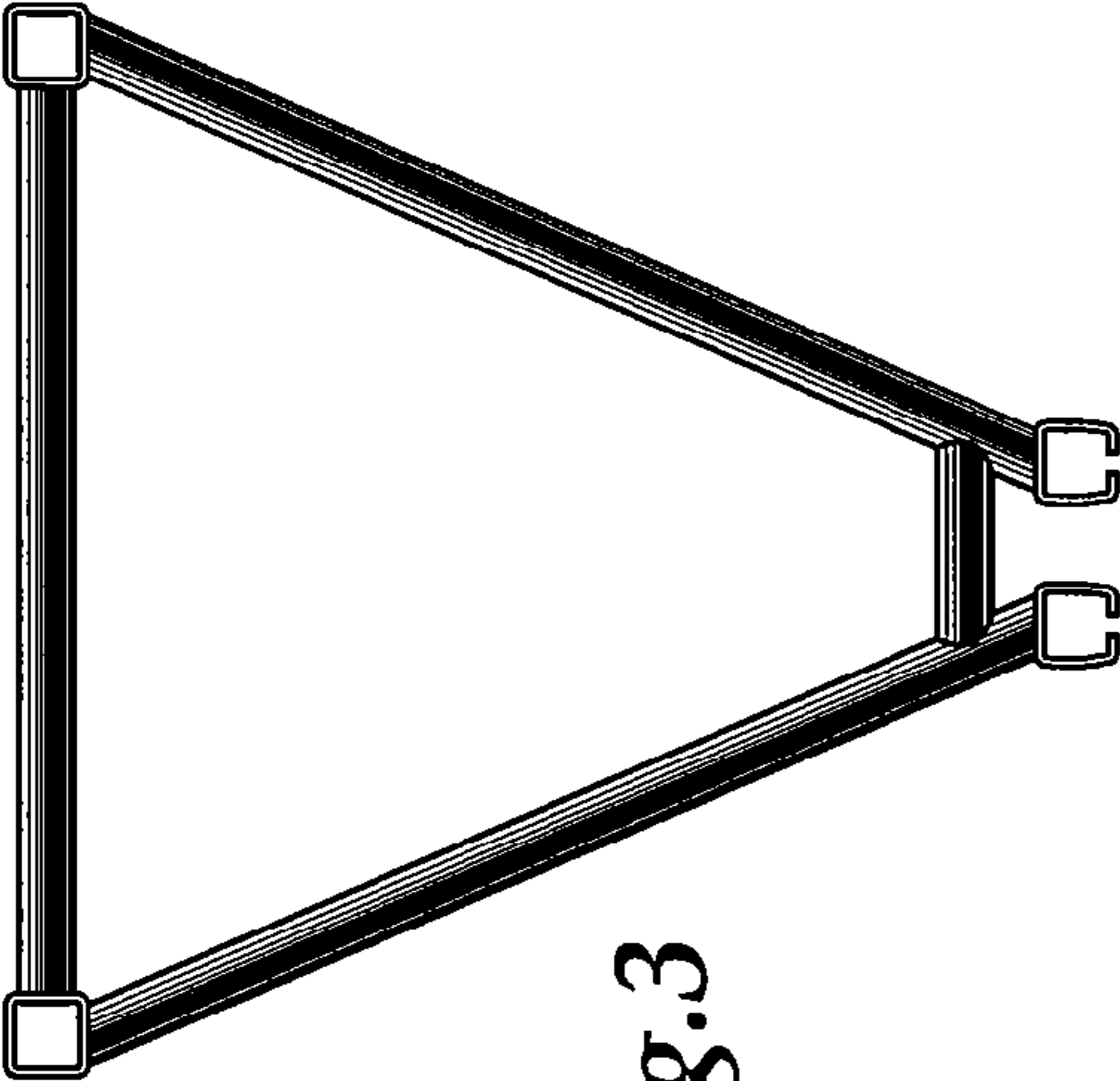


Fig.3

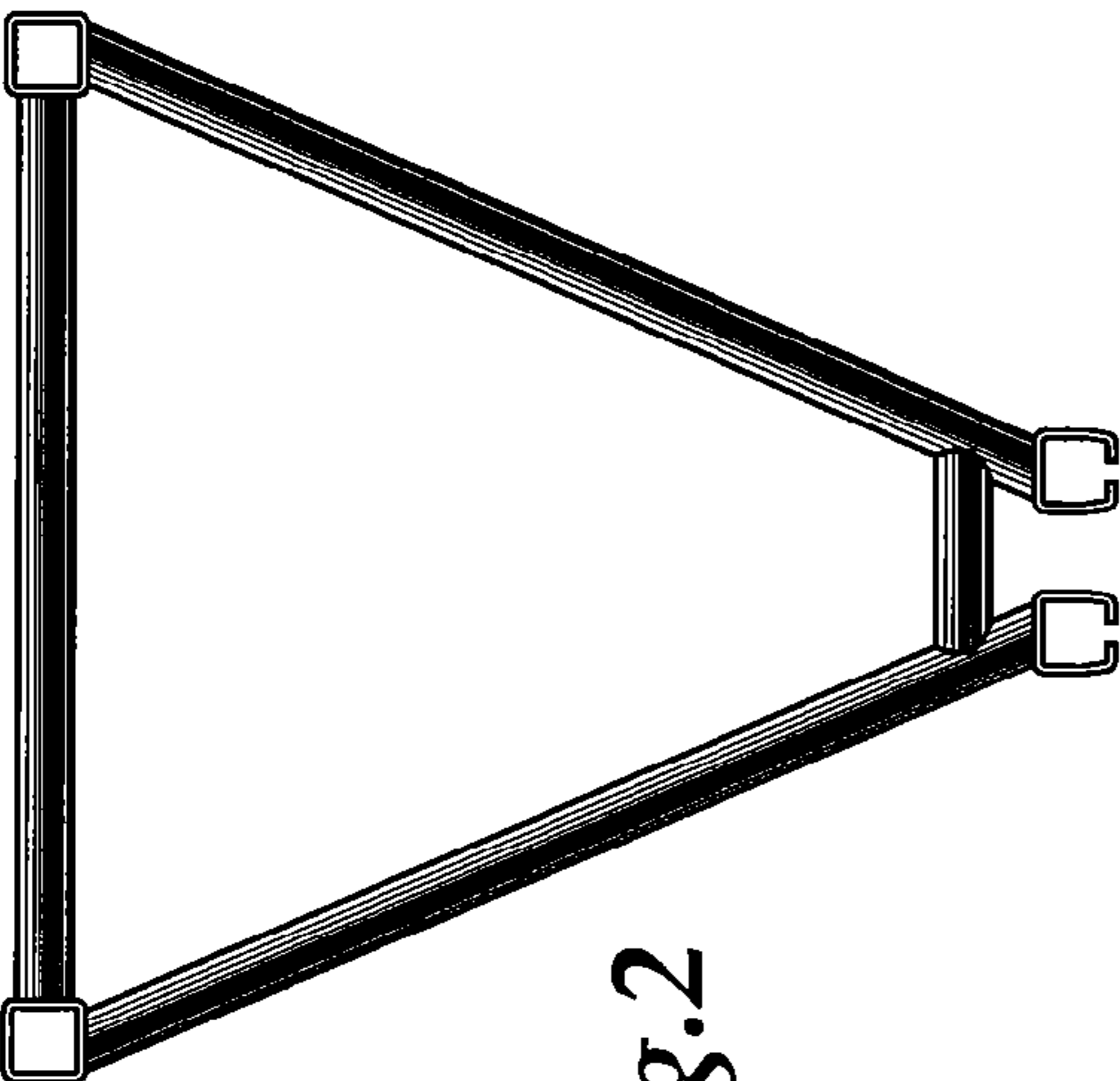


Fig.2

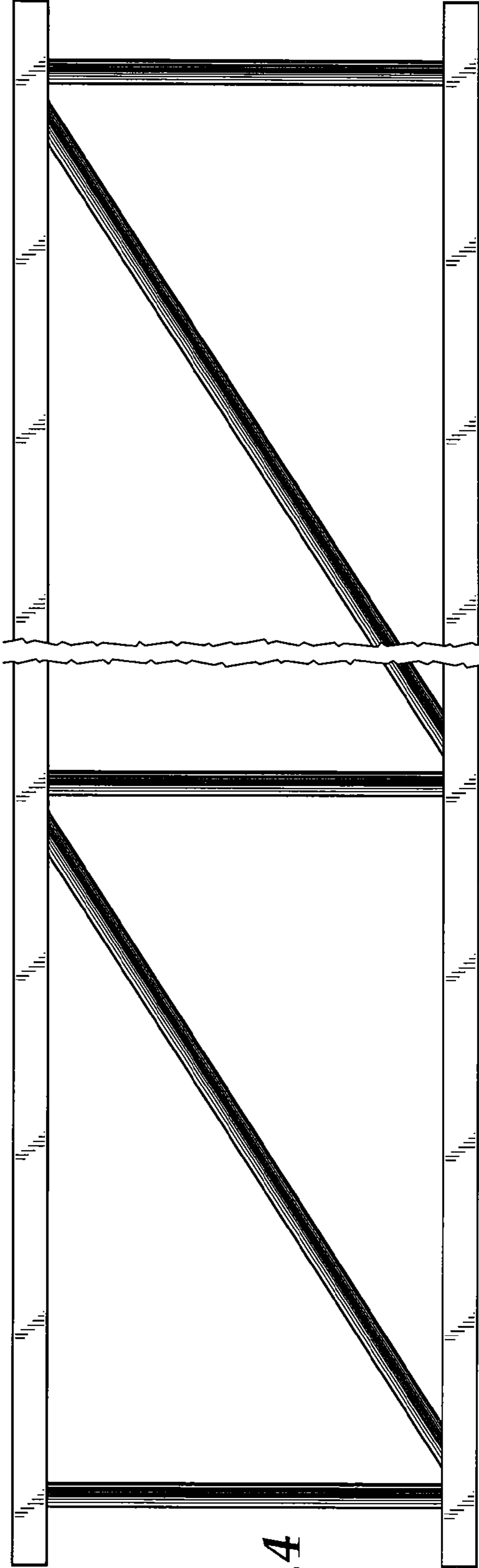


Fig.4

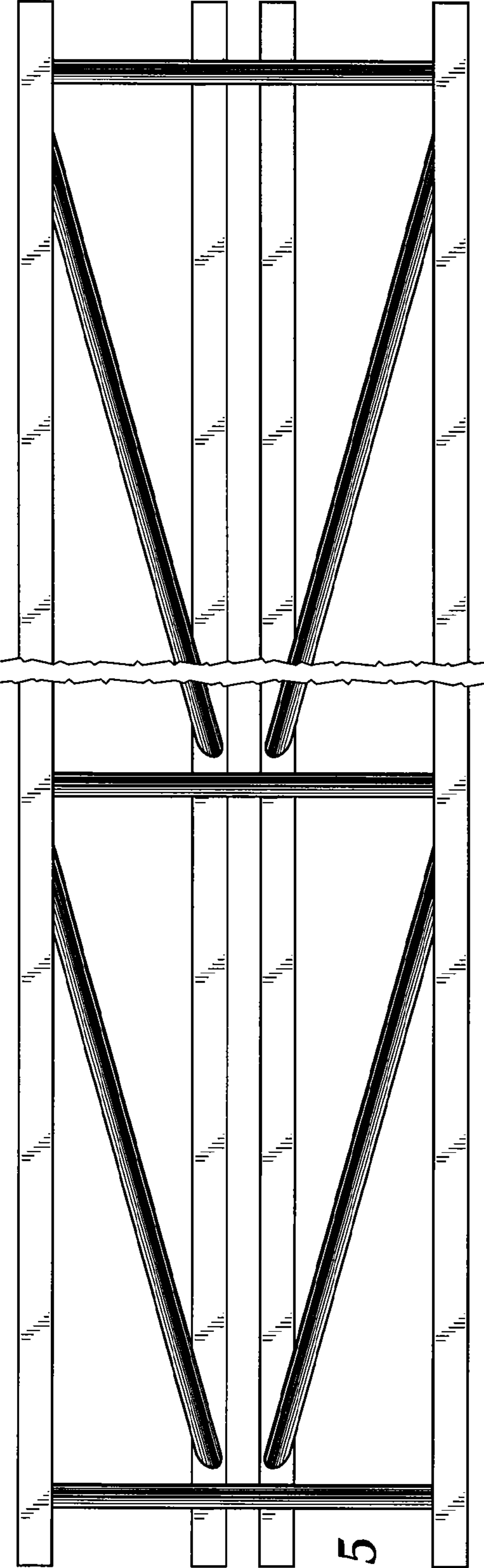


Fig. 5

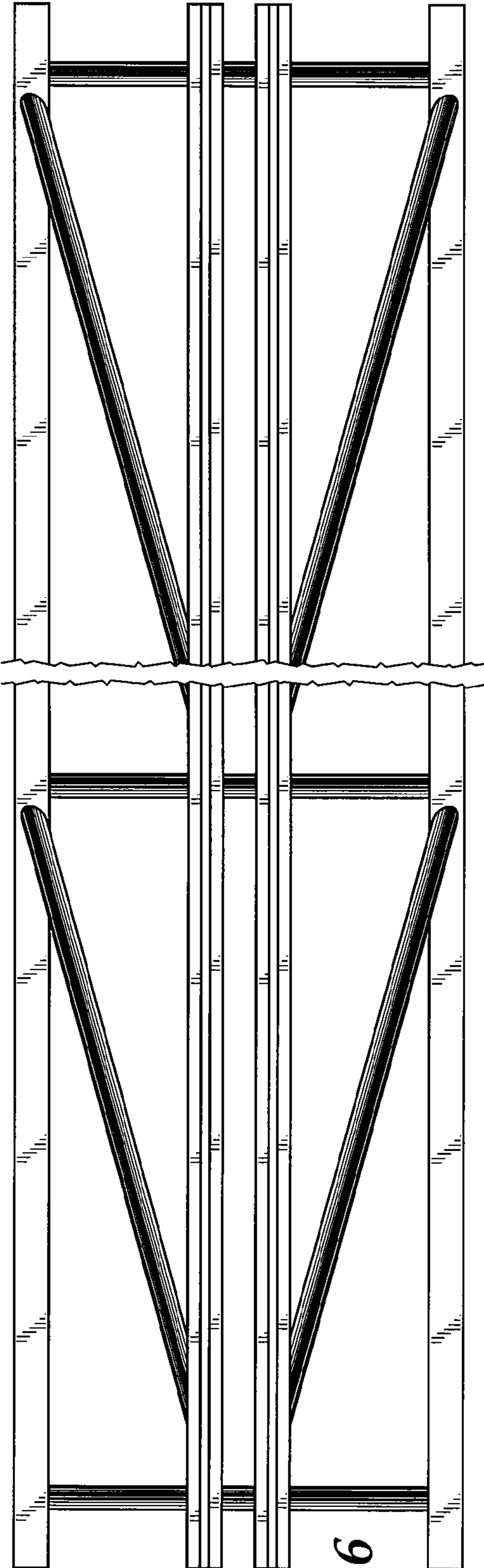


Fig. 6