



US00D605824S

(12) **United States Design Patent**
DiMento

(10) **Patent No.:** **US D605,824 S**

(45) **Date of Patent:** **** Dec. 8, 2009**

(54) **BAR GUARD**

(76) Inventor: **Joseph DiMento**, 14 Brae Ct.,
Turnersville, NJ (US) 08012

(**) Term: **14 Years**

(21) Appl. No.: **29/313,041**

(22) Filed: **Dec. 3, 2008**

(51) **LOC (9) Cl.** **12-02**

(52) **U.S. Cl.** **D34/27**

(58) **Field of Classification Search** D34/12-27;
280/33.992, 33.991, 33.993, 47.17; D20/44;
D25/122; 150/154, 155, 165, 166; 16/110.1,
16/111.1, 406

See application file for complete search history.

(56) **References Cited**

U.S. PATENT DOCUMENTS

2,918,741	A *	12/1959	Carpenter et al.	40/308
4,021,953	A *	5/1977	Couch	40/308
4,443,961	A *	4/1984	Gilroy	40/308
D298,077	S *	10/1988	Goodwin	D34/27
4,868,544	A *	9/1989	Havens	340/568.5
D341,691	S *	11/1993	Begum et al.	D34/27
5,584,096	A *	12/1996	Aurora	16/421
5,819,594	A *	10/1998	Sjovall	74/551.9
D425,681	S *	5/2000	Johnson et al.	D34/27
6,981,707	B1 *	1/2006	Dandy	280/33.992
D521,207	S *	5/2006	Anderson et al.	D34/27

D525,008 S * 7/2006 Hubbard D34/27
7,287,764 B2 * 10/2007 Russell et al. 280/47.23
2008/0303230 A1 * 12/2008 Somberg 280/33.992

* cited by examiner

Primary Examiner—Cynthia E Ramirez

(74) *Attorney, Agent, or Firm*—Stuart M. Goldstein

(57) **CLAIM**

The ornamental design for a bar guard, as shown and described.

DESCRIPTION

FIG. 1 is a perspective view of the bar guard of the present invention in its anticipated use on a cart.

FIG. 2 is a perspective top view of the bar guard of the present invention.

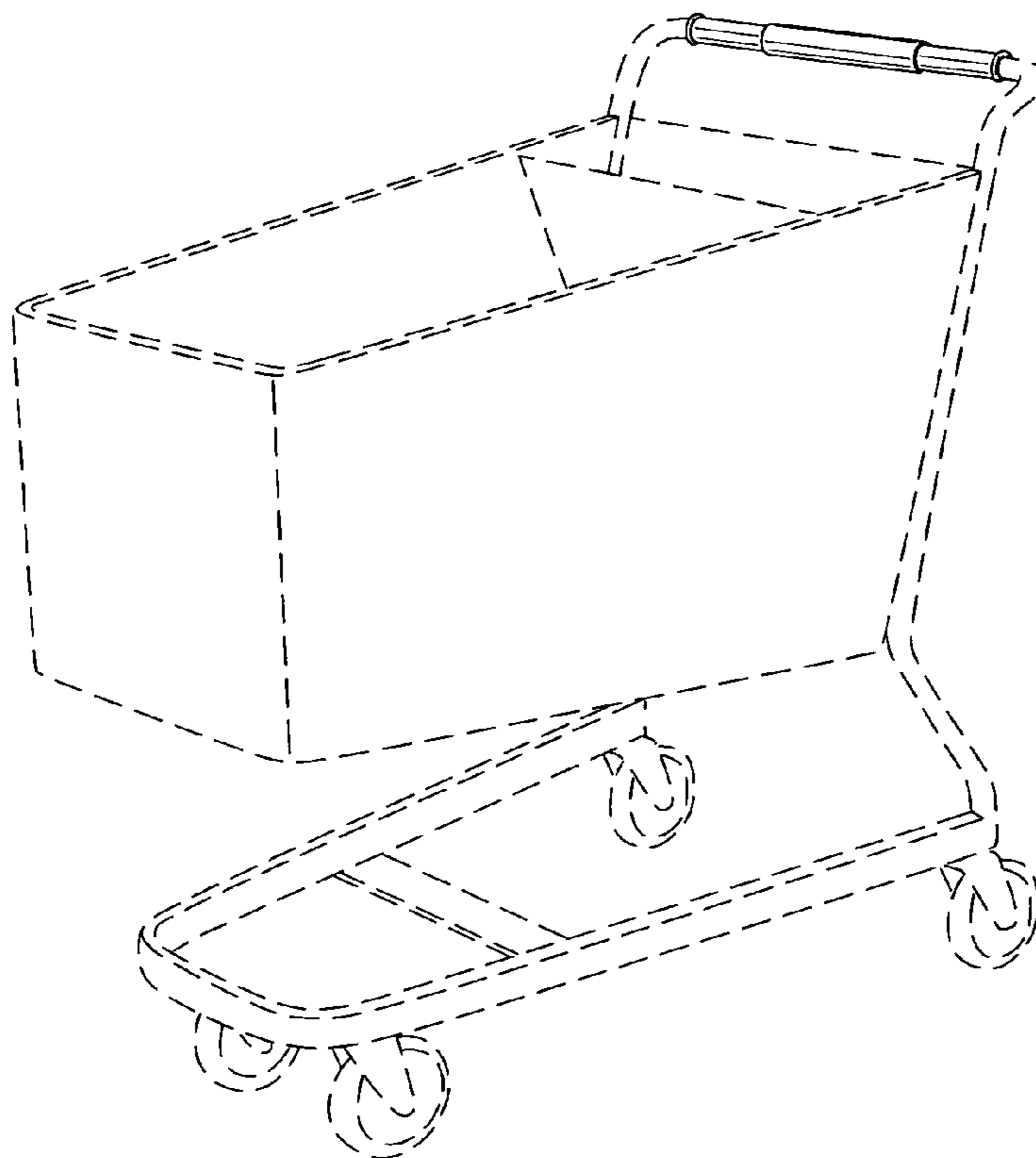
FIG. 3 is a top view of the bar guard of the present invention.

FIG. 4 is a bottom view of the bar guard of the present invention.

FIG. 5 is a side elevation view of the bar guard of the present invention. The opposite side elevation view is identical; and, FIG. 6 is an end view of the bar guard of the present invention. Both end views are identical.

The broken line showing of a cart is included for the purpose of illustrating environment and forms no part of the claimed design.

1 Claim, 3 Drawing Sheets



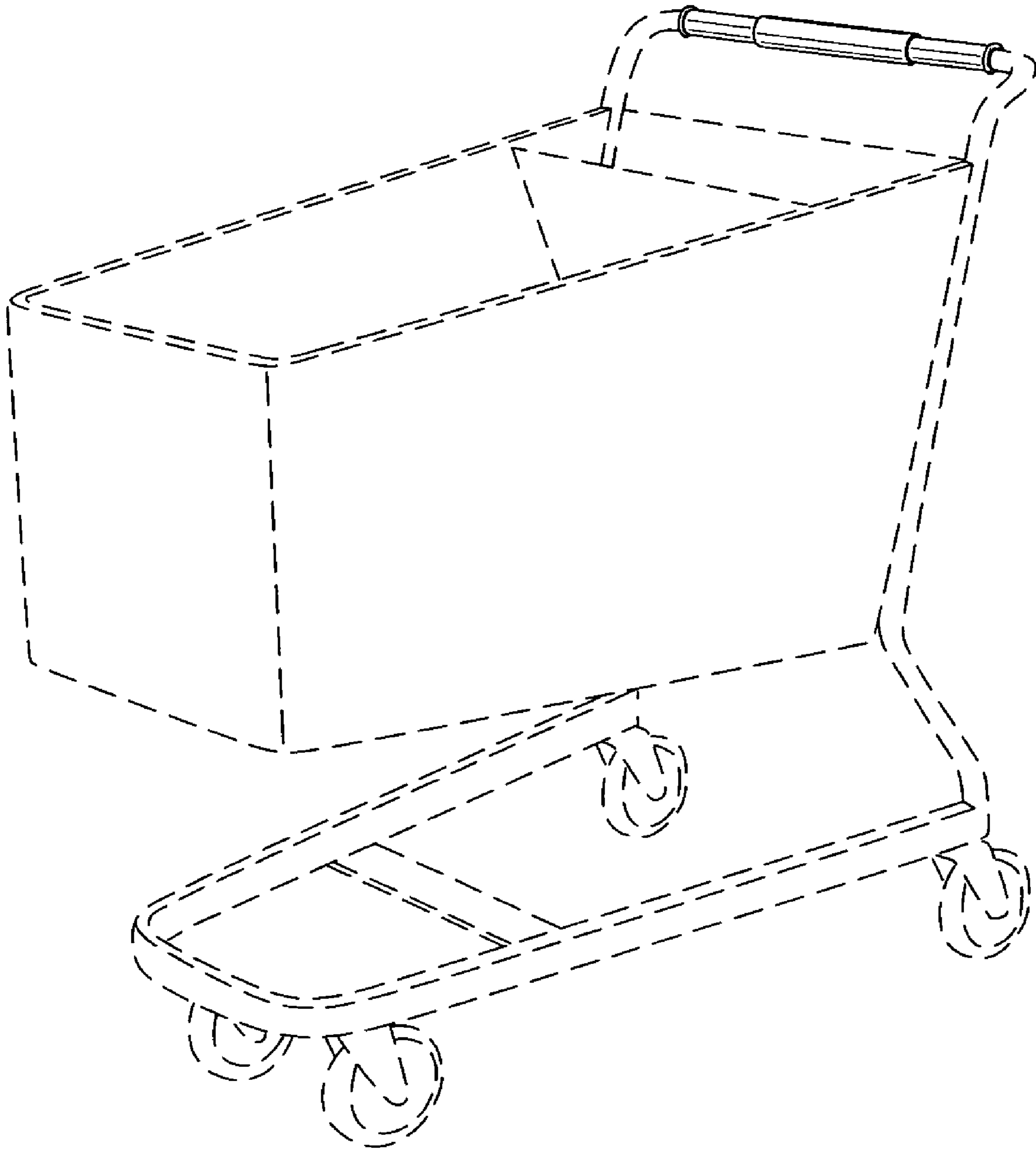


FIG. 1

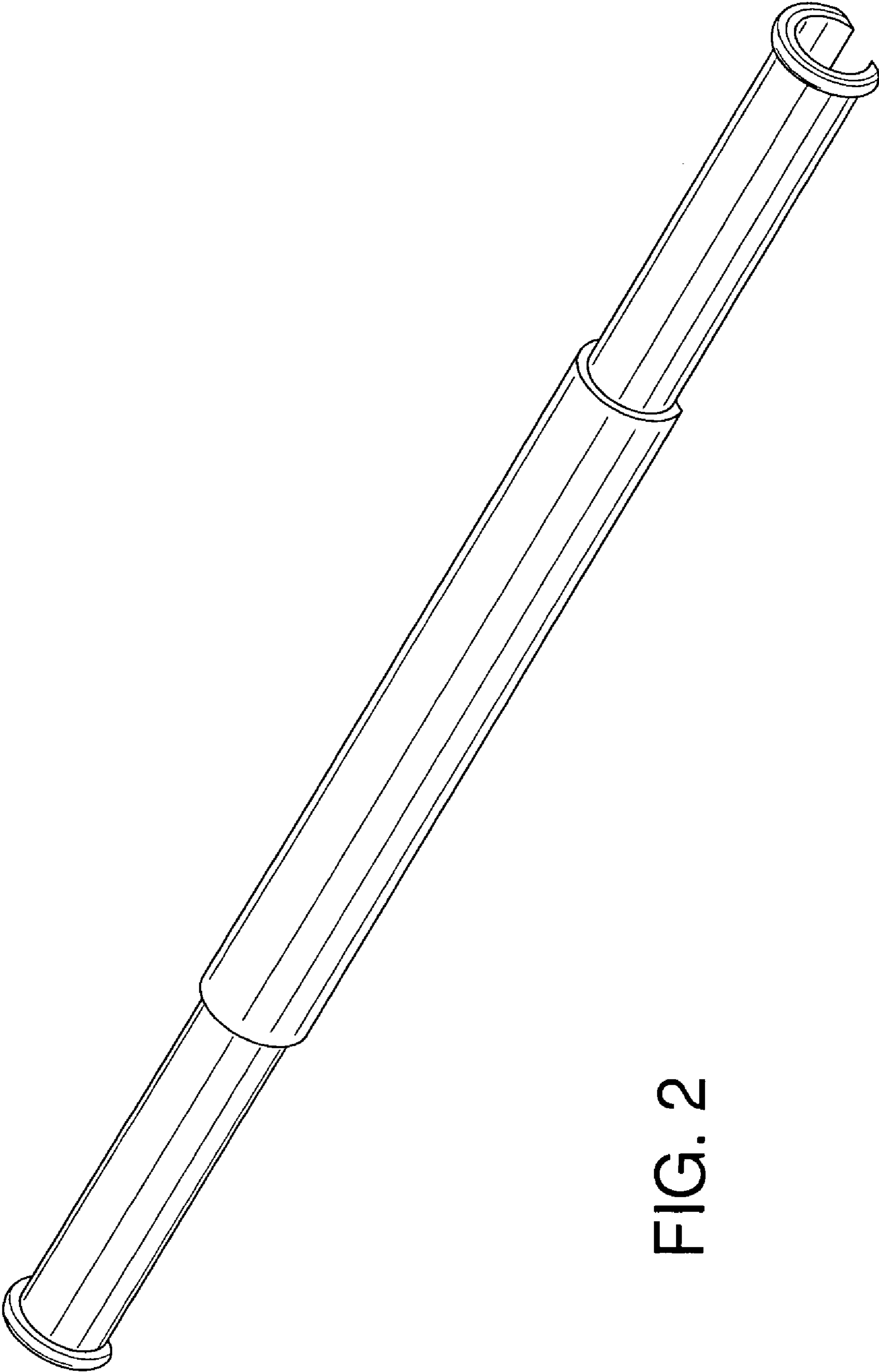


FIG. 2

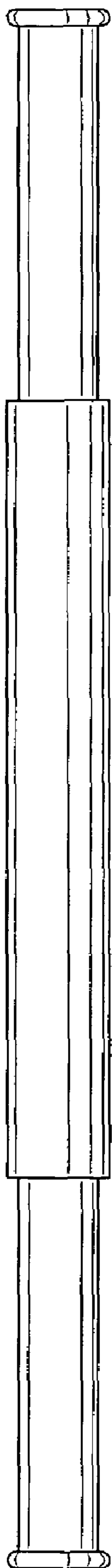


FIG. 3

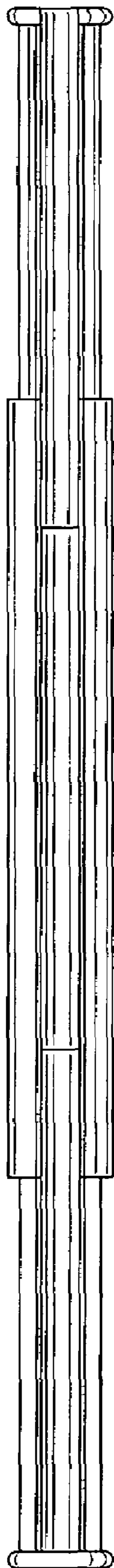


FIG. 4



FIG. 5



FIG. 6