



US00D605820S

(12) **United States Design Patent**
LaValle et al.

(10) **Patent No.:** **US D605,820 S**
(45) **Date of Patent:** **** Dec. 8, 2009**

(54) **VACUUM HANDPIECE**
(75) Inventors: **Eric J. LaValle**, Three Rivers, MA (US);
Thomas C. Tremblay, Concord, MA (US)
(73) Assignee: **Guardair Corporation**, Chicopee, MA (US)
(**) Term: **14 Years**
(21) Appl. No.: **29/304,912**
(22) Filed: **Mar. 10, 2008**

D497,661 S 10/2004 Chen et al.
D505,712 S 5/2005 Huang et al.
D507,036 S * 7/2005 Khaitov D23/226
D507,630 S 7/2005 Huang et al.
D512,122 S 11/2005 Yorns et al.
6,976,640 B2 * 12/2005 Chen 239/291
D561,874 S 2/2008 Downey et al.
D564,069 S 3/2008 Yorns et al.
D572,097 S * 7/2008 Yung-Kuan D8/29.1
D574,465 S * 8/2008 Rigolio D23/226
2005/0098691 A1 5/2005 Yorns et al.
2005/0218285 A1 10/2005 Yorns et al.
2008/0054104 A1 3/2008 Tremblay et al.

(51) **LOC (9) Cl.** **15-05**
(52) **U.S. Cl.** **D32/18**
(58) **Field of Classification Search** D32/15,
D32/17-18, 21, 31; 15/344, 329, 320-322,
15/415.1-422.1, 414, 327.5, 398, 400, 300.1,
15/330, 345, 408; D23/226-227; 239/291,
239/525-527

See application file for complete search history.

(56) **References Cited**

U.S. PATENT DOCUMENTS

2,320,964 A 6/1943 Yates
2,604,361 A 7/1952 Yates
2,783,092 A 2/1957 Gavin et al.
D183,070 S * 6/1958 Stillson D23/226
D202,216 S * 9/1965 Liljemark D23/226
3,780,949 A 12/1973 Gavin
3,967,341 A 7/1976 Gavin
D250,115 S * 10/1978 Kawamura D32/18
D254,833 S * 4/1980 Cooper D32/18
D280,338 S * 8/1985 Skarsten D8/29.1
5,322,221 A 6/1994 Anderson
6,467,705 B2 10/2002 Robidoux
6,663,023 B1 * 12/2003 Jou 239/526

* cited by examiner

Primary Examiner—Ruth McInroy

(74) *Attorney, Agent, or Firm*—Scott E. Kamholz; Foley Hoag LLP

(57) **CLAIM**

The ornamental design for a vacuum handpiece, as shown and described.

DESCRIPTION

FIG. 1 is a perspective view of a vacuum handpiece showing the design;

FIG. 2 is a left side elevation view thereof, the right side being a mirror image thereof;

FIG. 3 is a top plan view thereof;

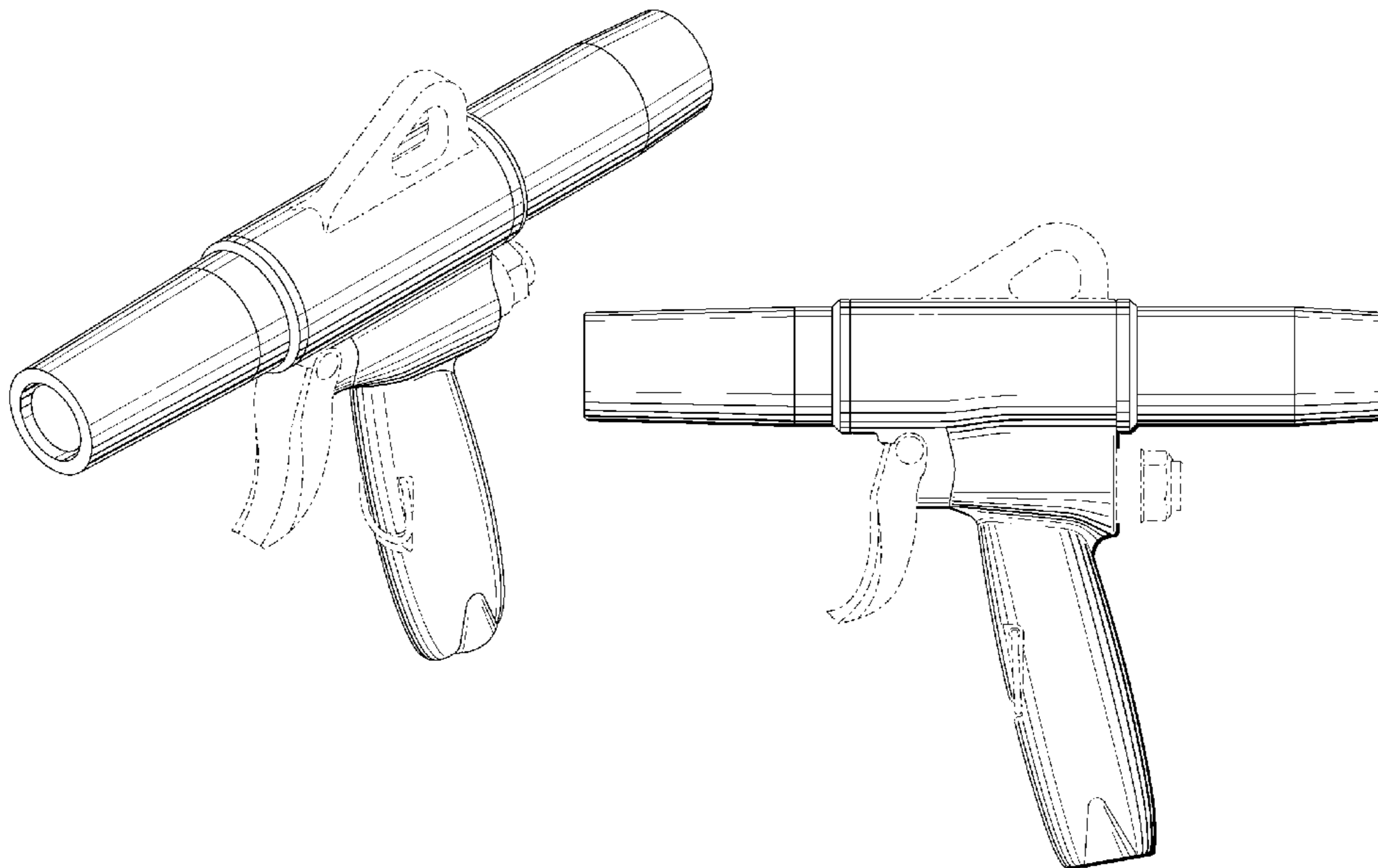
FIG. 4 is a bottom plan view thereof;

FIG. 5 is a rear elevation view of the design; and,

FIG. 6 is a front elevation view thereof.

Broken lines shown in the drawings are for illustrative purposes only and do not form part of the claimed design.

1 Claim, 4 Drawing Sheets



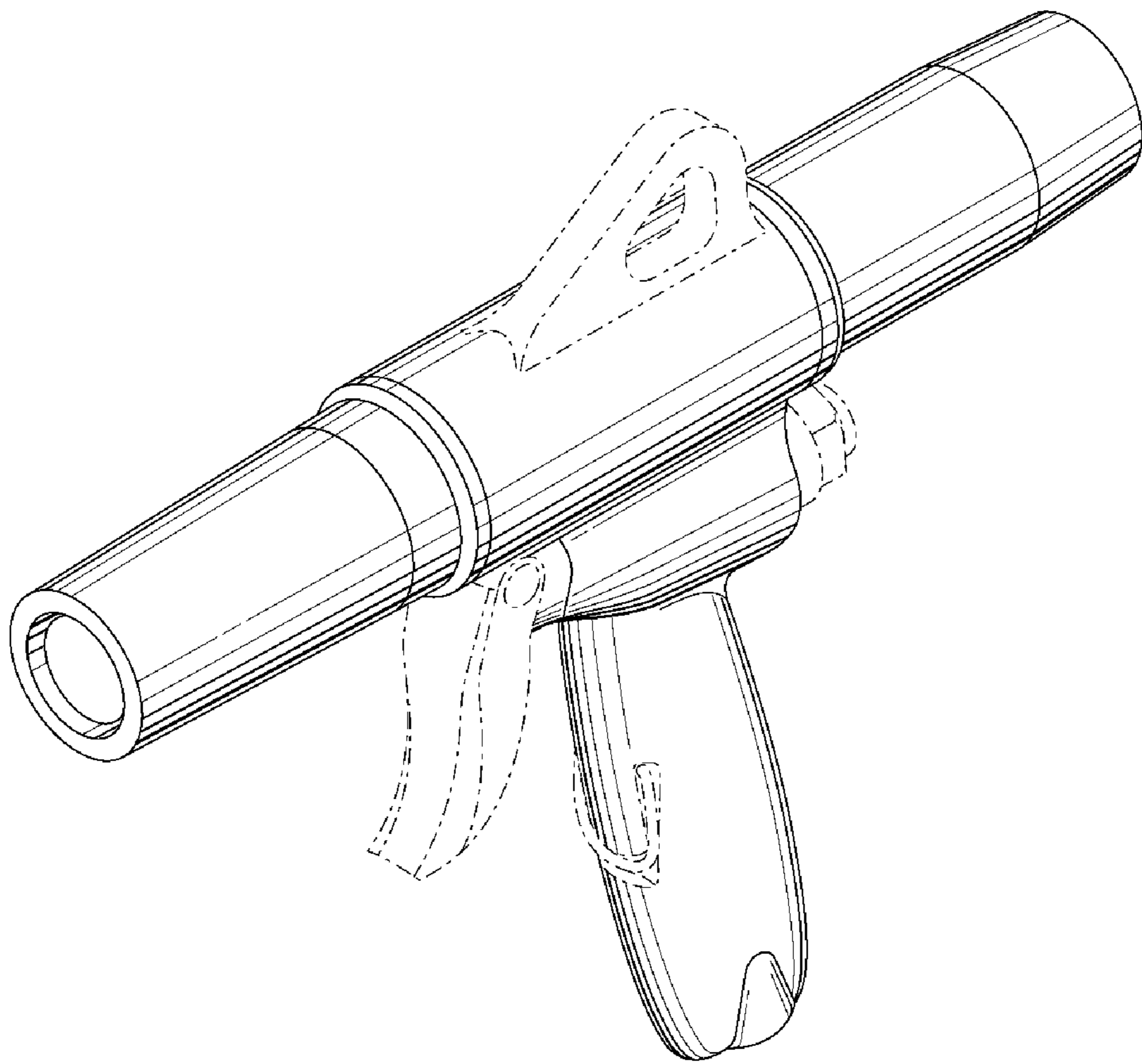


Fig. 1

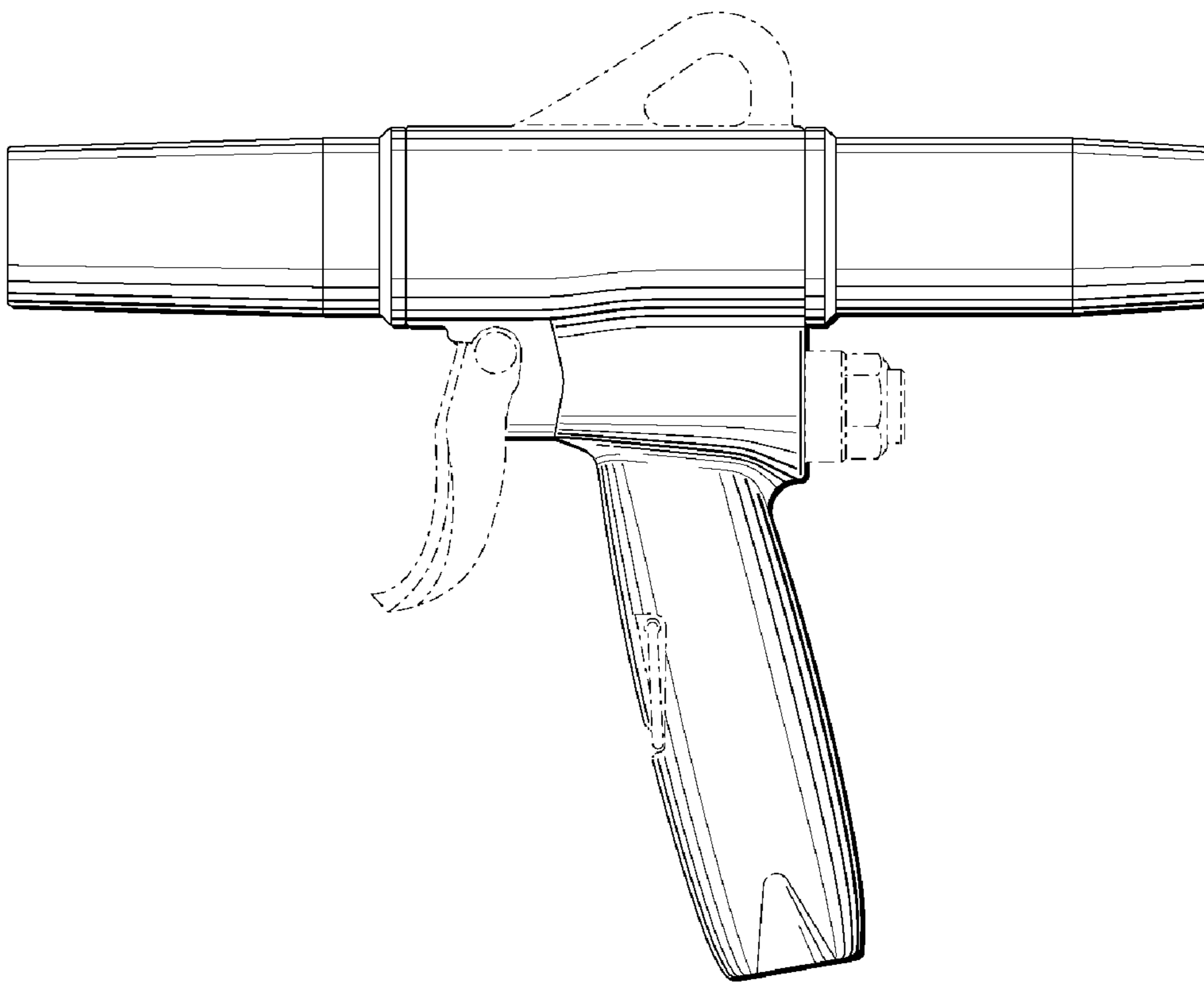


Fig. 2

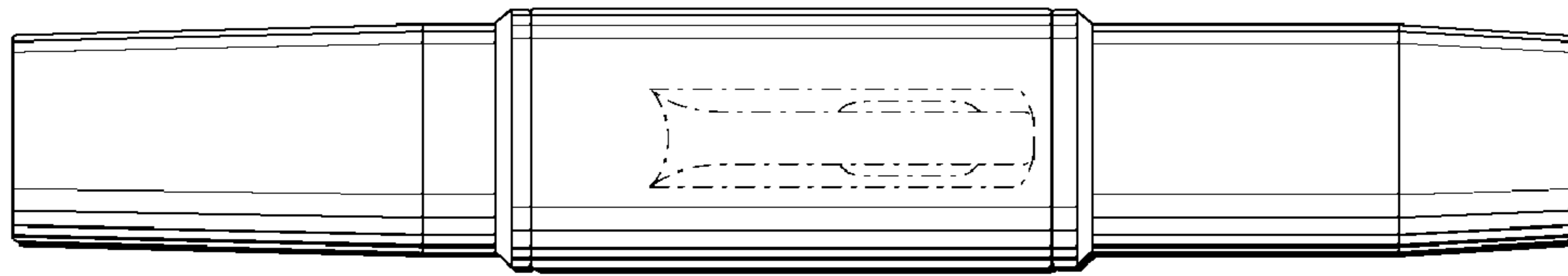


Fig. 3

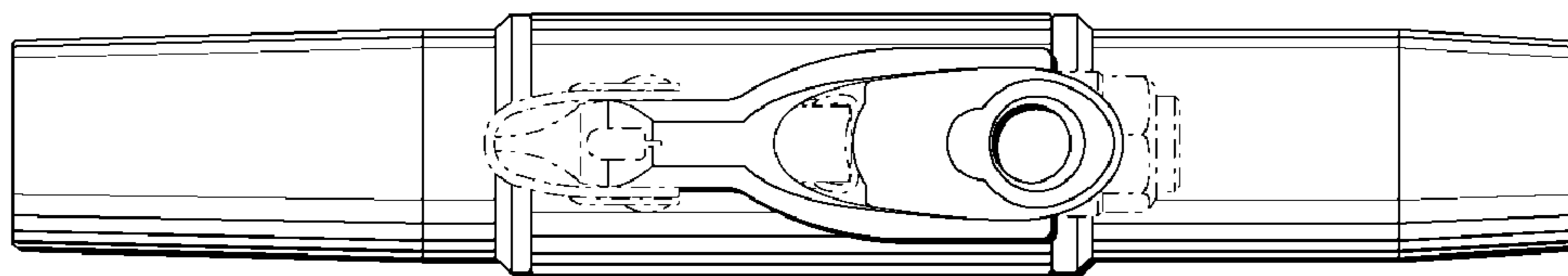


Fig. 4

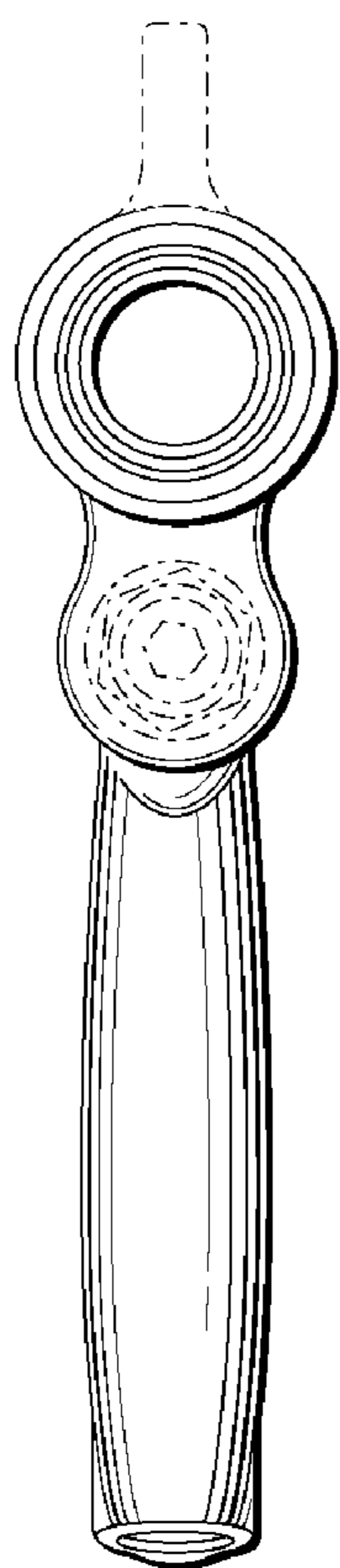


Fig. 5

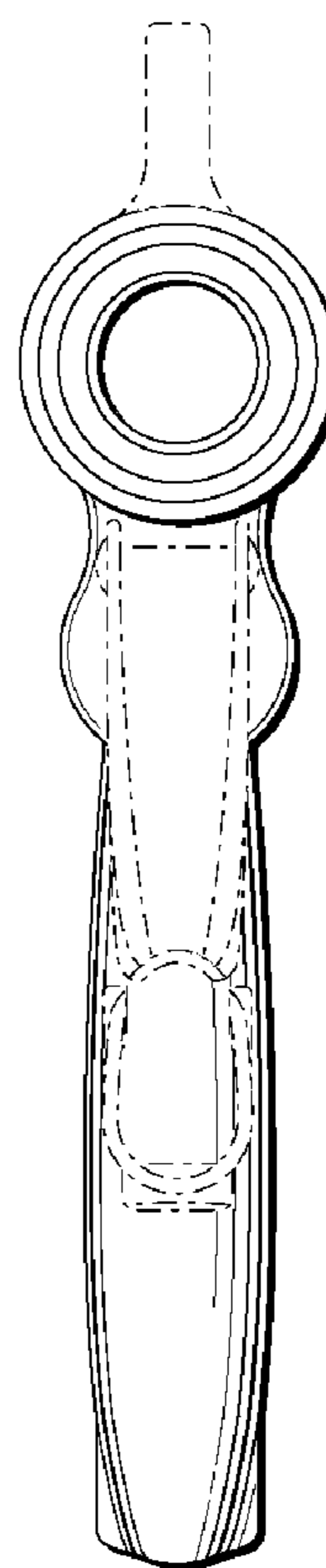


Fig. 6