



US00D605819S

(12) **United States Design Patent**
Tinius

(10) **Patent No.:** **US D605,819 S**
(45) **Date of Patent:** **** Dec. 8, 2009**

(54) **BLOWING MACHINE**

(75) Inventor: **Michael Tinius**, Ulm (DE)

(73) Assignee: **Andreas Stihl AG & Co. KG**,
Waiblingen (DE)

(**) Term: **14 Years**

(21) Appl. No.: **29/323,953**

(22) Filed: **Sep. 3, 2008**

(30) **Foreign Application Priority Data**

Mar. 5, 2008 (EM) 000894738-0002

(51) **LOC (9) Cl.** **15-05**

(52) **U.S. Cl.** **D32/15**

(58) **Field of Classification Search** D32/1,
D32/15, 21, 25, 16-18; 15/344-345, 405,
15/414-415.1; D23/383

See application file for complete search history.

(56) **References Cited**

U.S. PATENT DOCUMENTS

D279,319	S	*	6/1985	McCloskey et al.	D32/15
D297,274	S	*	8/1988	Komiya et al.	D32/15
D359,603	S	*	6/1995	Rakocy et al.	D32/15
D400,322	S	*	10/1998	Webster et al.	D32/15
5,950,276	A	*	9/1999	Everts et al.	15/405
D427,394	S	*	6/2000	Yamane et al.	D32/15
6,108,865	A	*	8/2000	Veser et al.	15/414
D431,697	S	*	10/2000	Hayakawa et al.	D32/15
D461,604	S	*	8/2002	Martin et al.	D32/15
D468,874	S	*	1/2003	Nawrozki et al.	D32/15
D469,931	S	*	2/2003	Nawrozki et al.	D32/15
D497,459	S	*	10/2004	Nawrozki et al.	D32/15
D497,692	S	*	10/2004	Nawrozki et al.	D32/15
6,834,413	B2	*	12/2004	Sanders et al.	15/405
D526,750	S	*	8/2006	Ito	D32/15
D556,395	S	*	11/2007	Martin et al.	D32/15
D569,055	S	*	5/2008	Bochmann et al.	D32/15
D577,113	S	*	9/2008	Tinius	D23/383

D584,460	S	*	1/2009	Sweeney	D32/15
D584,461	S	*	1/2009	Sweeney	D32/15
D588,939	S	*	3/2009	Falkenstein	D10/31
D594,961	S	*	6/2009	Tinius	D23/383
2002/0108211	A1	*	8/2002	Svoboda	15/405
2003/0233730	A1	*	12/2003	Sanders et al.	15/405
2008/0148513	A1	*	6/2008	Shaffer	15/405
2009/0126147	A1	*	5/2009	Nakazawa et al.	15/405

* cited by examiner

Primary Examiner—T. Chase Nelson

Assistant Examiner—Kathleen M Sims

(74) *Attorney, Agent, or Firm*—McGuireWoods LLP

(57) **CLAIM**

I claim the ornamental design for a blowing machine, as shown and described.

DESCRIPTION

FIG. 1 is a top perspective view of the blowing machine;

FIG. 2 is a left side partial view of the blowing machine shown in FIG. 1;

FIG. 3 is a right side partial view of the blowing machine shown in FIG. 1;

FIG. 4 is a front partial view of the blowing machine shown in FIG. 1;

FIG. 5 is a rear view of the blowing machine shown in FIG. 1;

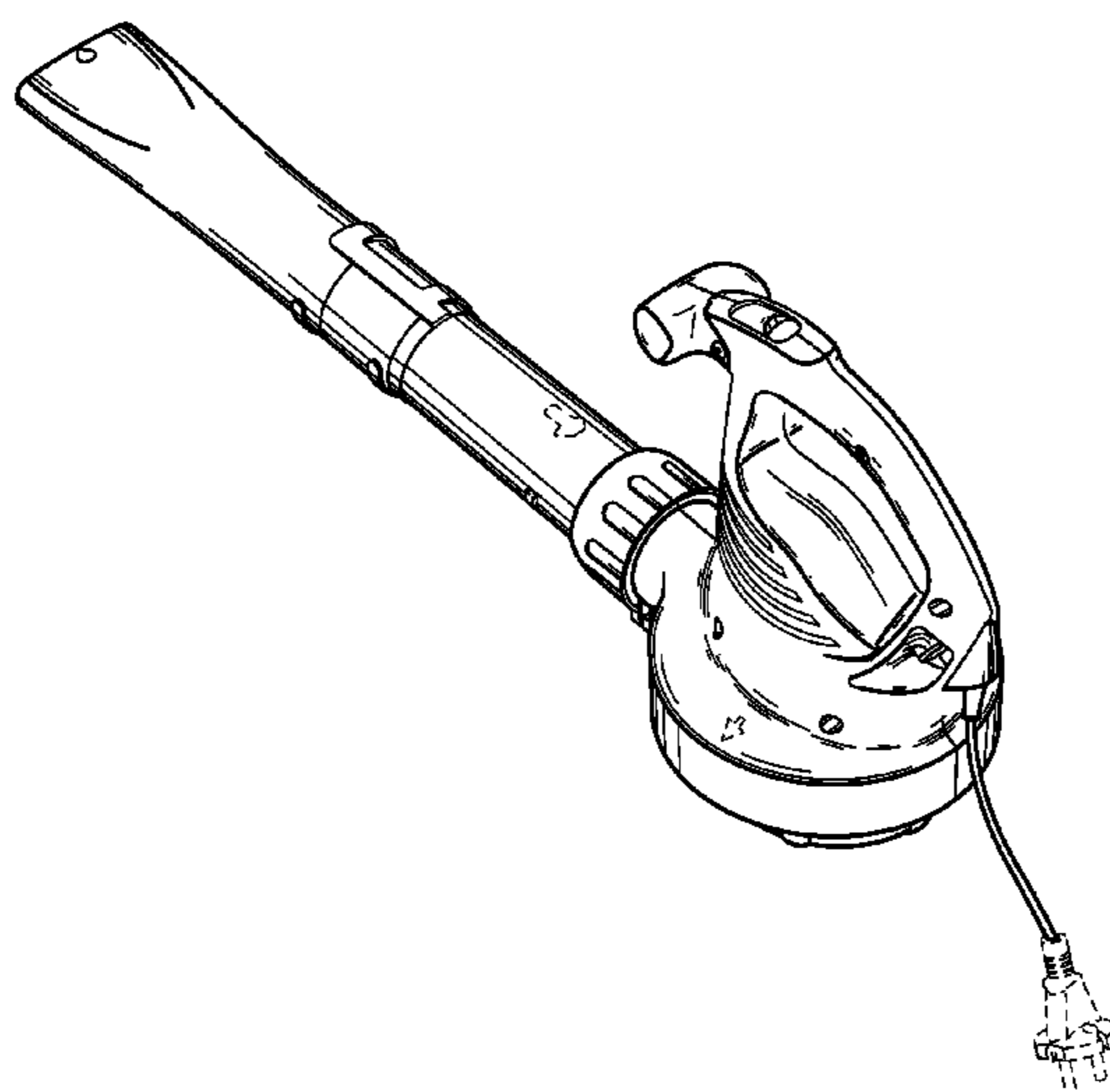
FIG. 6 is a bottom partial view of the blowing machine shown in FIG. 1; and,

FIG. 7 is a top partial view of the blowing machine shown in FIG. 1.

The subject matter shown in dashed lines, and any surfaces of the design not shown, including interior surfaces, form no part of the claimed invention.

The broken line showing of details on the hose in FIGS. 2, 3, and 6 and the fan in FIG. 6 is included for the purpose of illustrating portions of the blowing machine and forms no part of the claimed design.

1 Claim, 7 Drawing Sheets



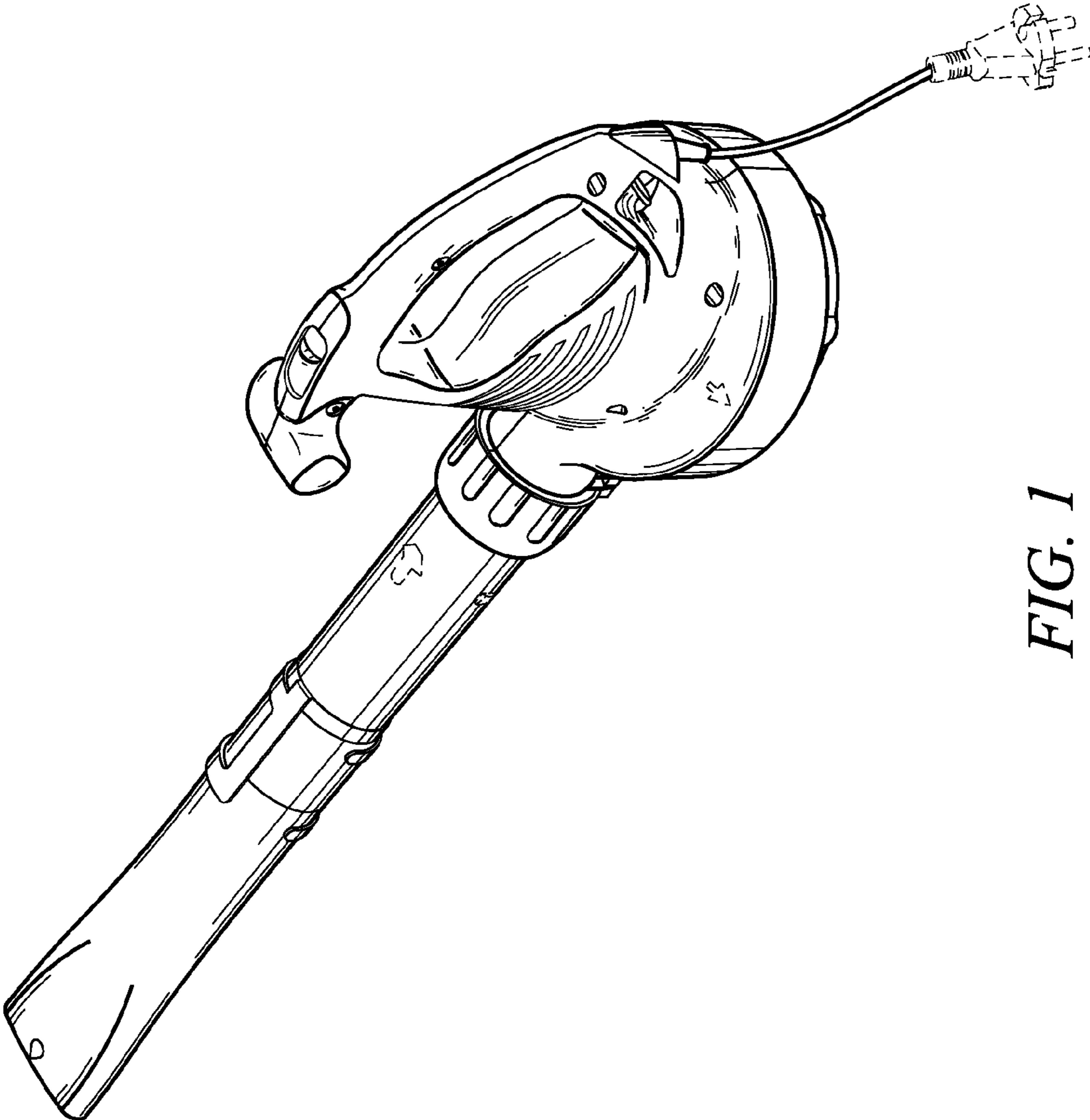


FIG. 1

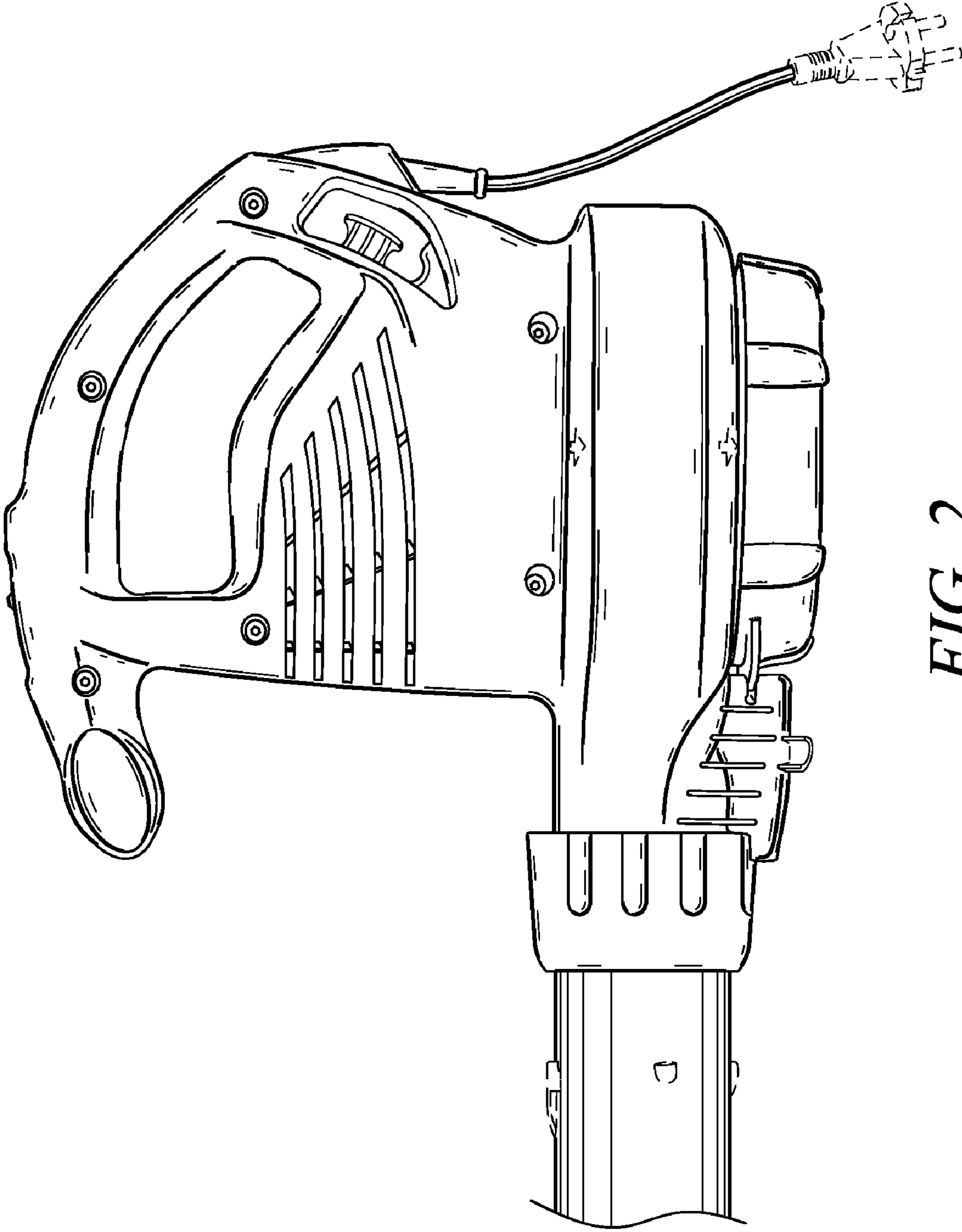


FIG. 2

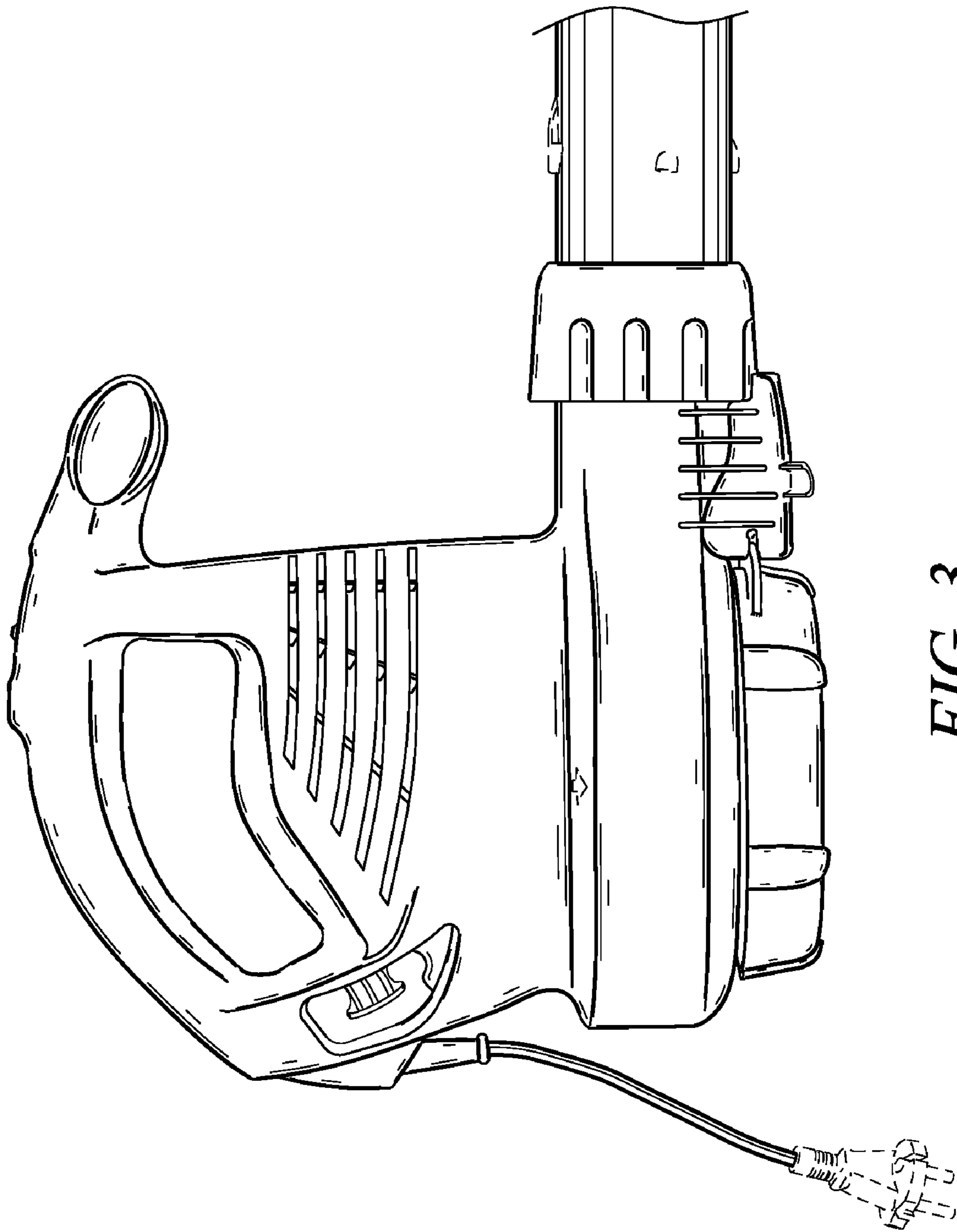


FIG. 3

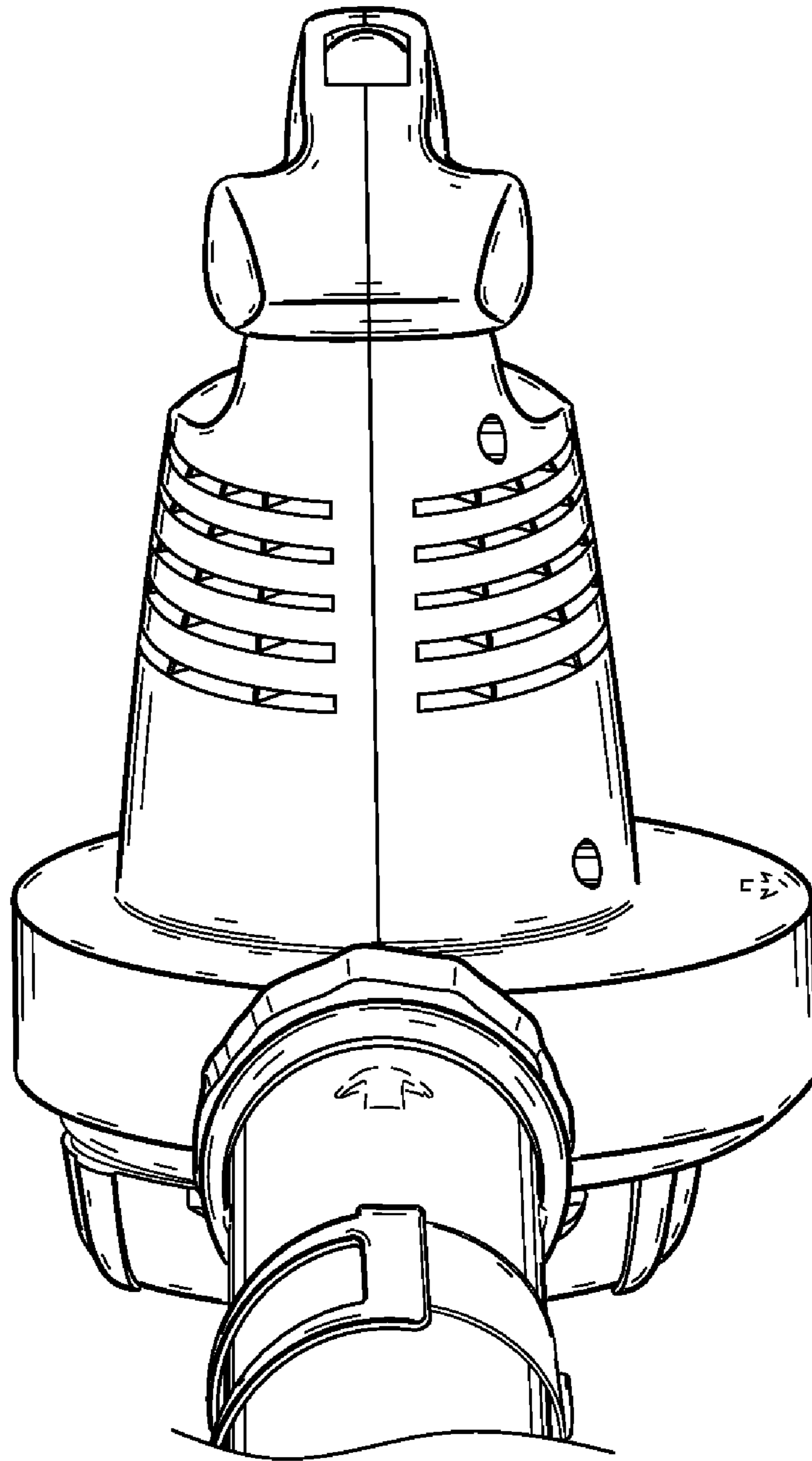


FIG. 4

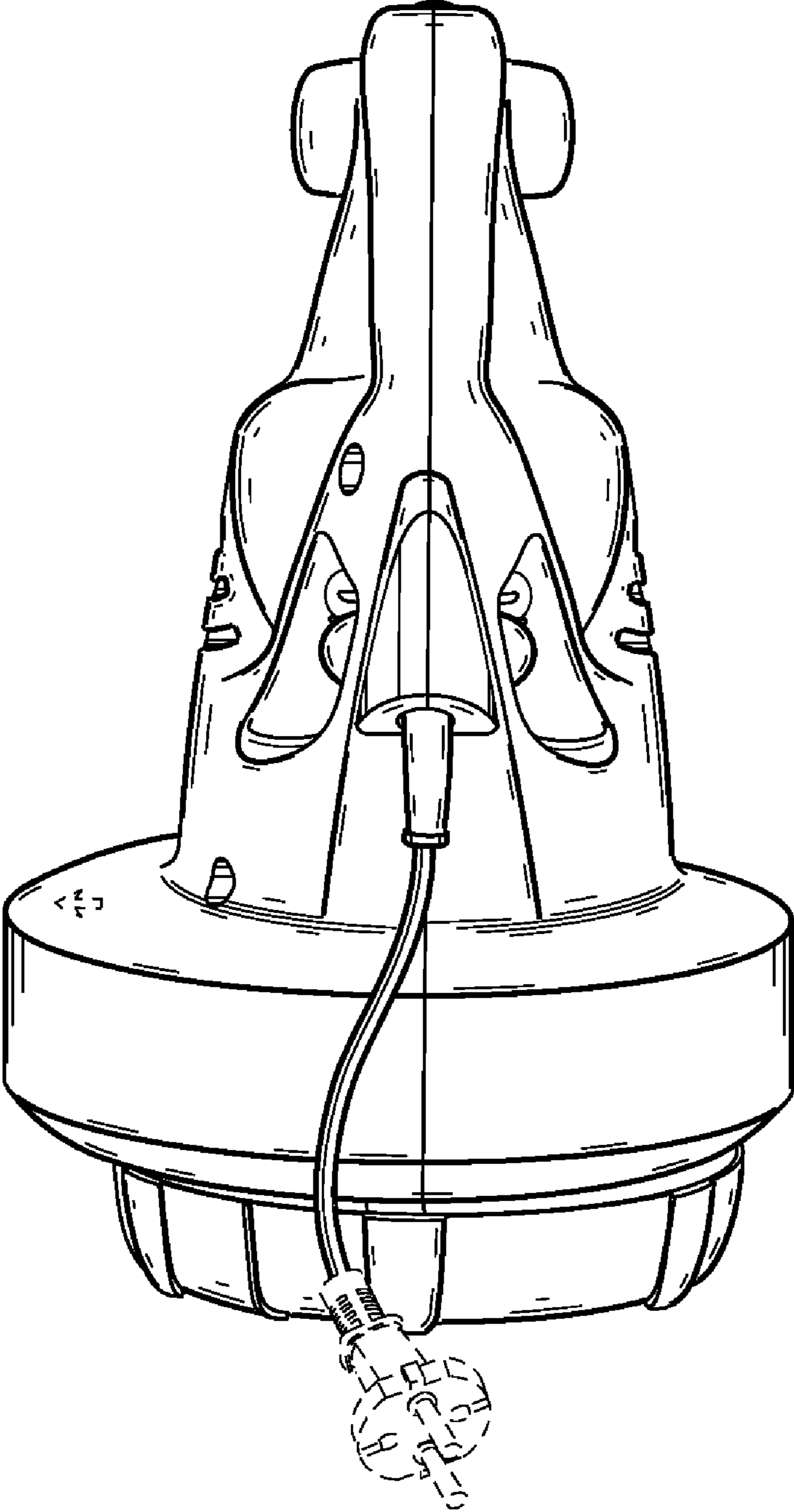


FIG. 5

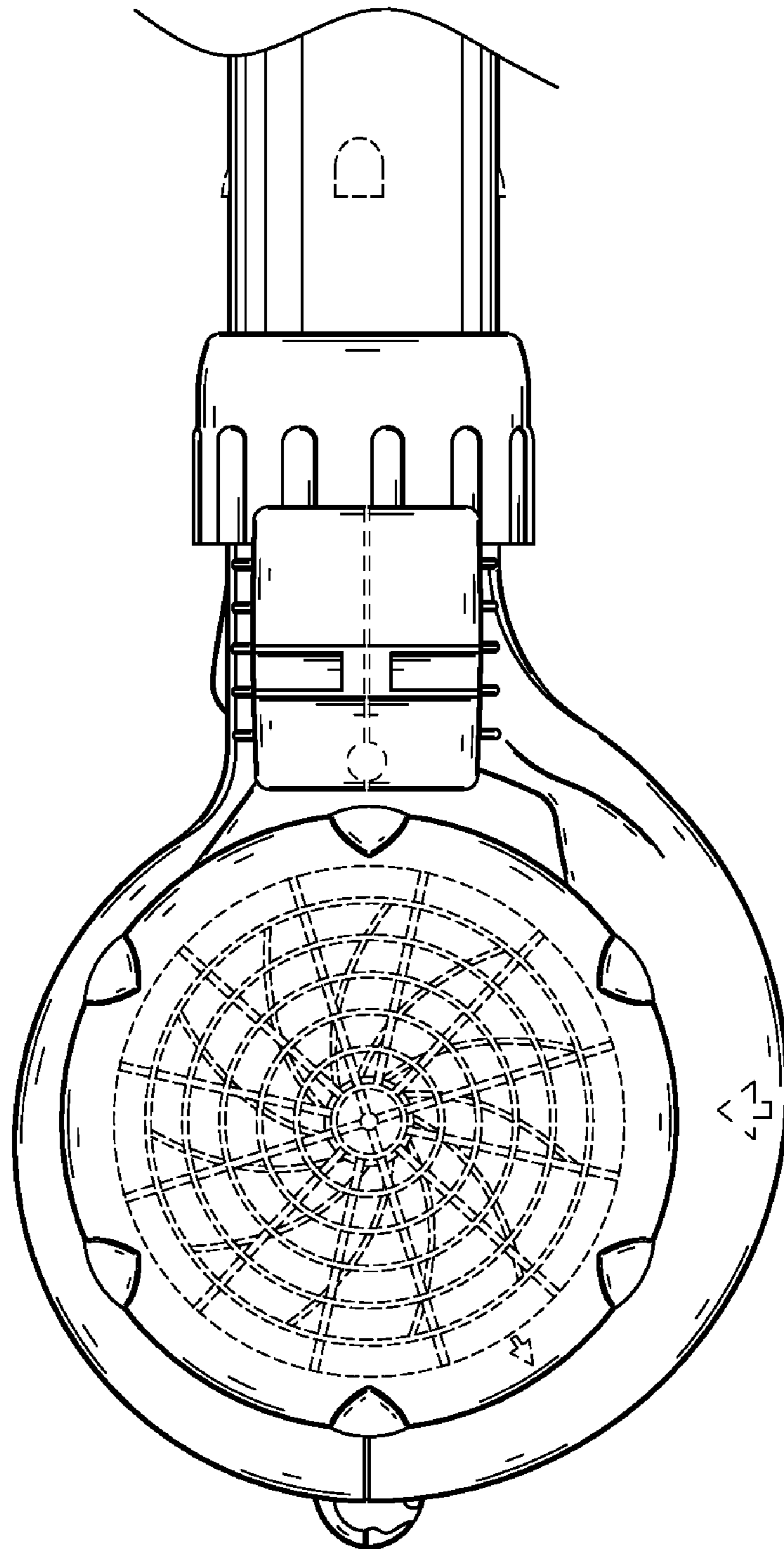


FIG. 6

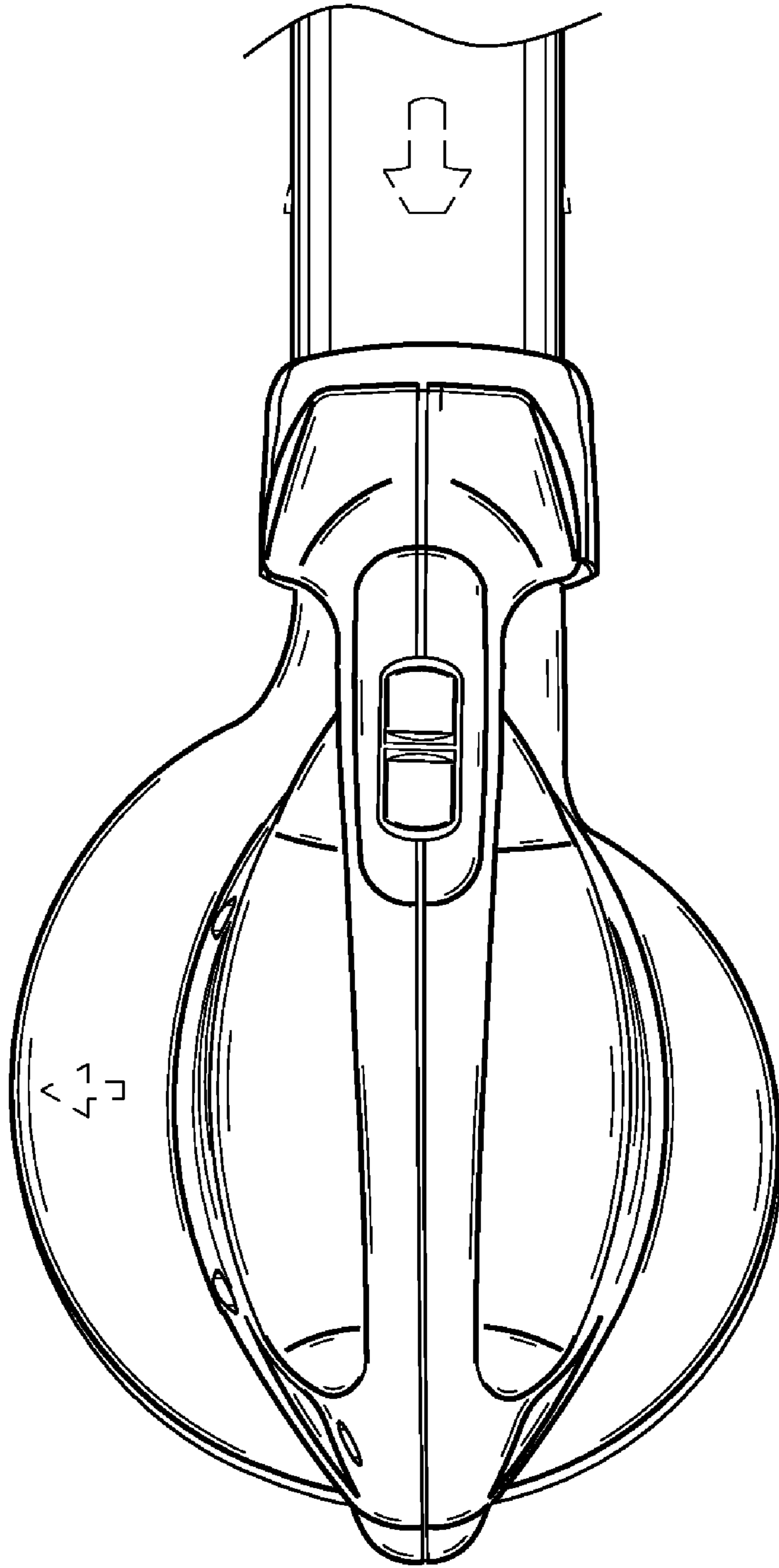


FIG. 7