



US00D605814S

(12) **United States Design Patent**
Hsu

(10) **Patent No.:** **US D605,814 S**
(45) **Date of Patent:** **** Dec. 8, 2009**

(54) **HAIR CLIP**

2006/0266377 A1* 11/2006 Hsuwen 132/278
* cited by examiner

(76) Inventor: **Shih Ling Hsu**, No. 46 Alley 87, Lane
871, Cheng-Bay Road, Tainan City (TW)
709

Primary Examiner—Janice E Seeger
Assistant Examiner—Zenia I Bennett
(74) *Attorney, Agent, or Firm*—Bacon & Thomas, PLLC

(**) Term: **14 Years**

(57) **CLAIM**

(21) Appl. No.: **29/309,244**

The ornamental design for a hair clip, as shown.

(22) Filed: **Jul. 11, 2008**

DESCRIPTION

(51) **LOC (9) Cl.** **28-03**

FIG. 1 is a perspective view of a hair clip showing my new design thereof;

(52) **U.S. Cl.** **D28/42**

FIG. 2 is a front elevational view thereof;

(58) **Field of Classification Search** D28/21–34,
D28/39–43; 132/101, 126, 128–131, 144,
132/148, 219, 275–284

FIG. 3 is a rear elevational view thereof;

See application file for complete search history.

FIG. 4 is a left side elevational view thereof;

FIG. 5 is a right side elevational view thereof;

(56) **References Cited**

U.S. PATENT DOCUMENTS

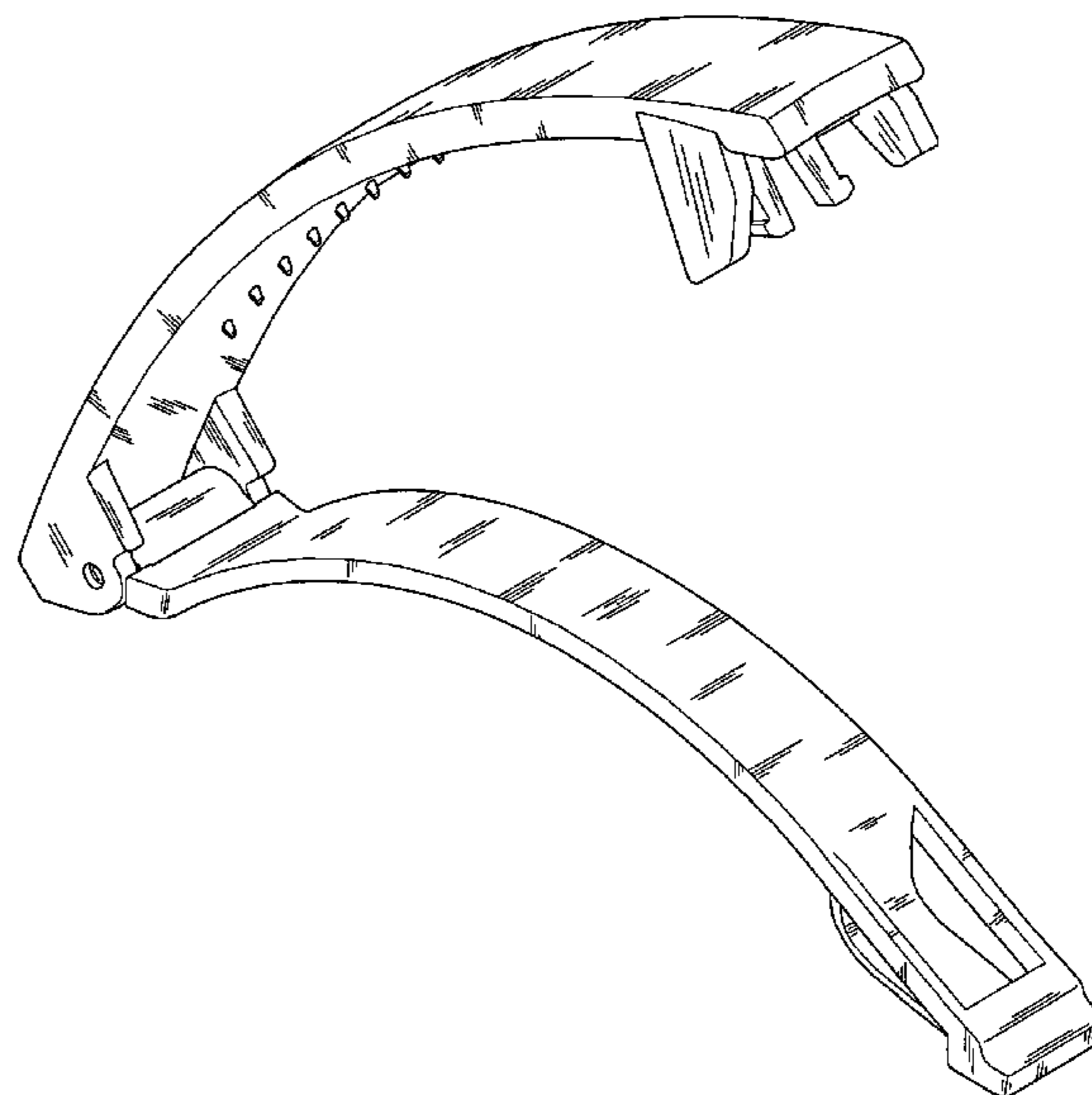
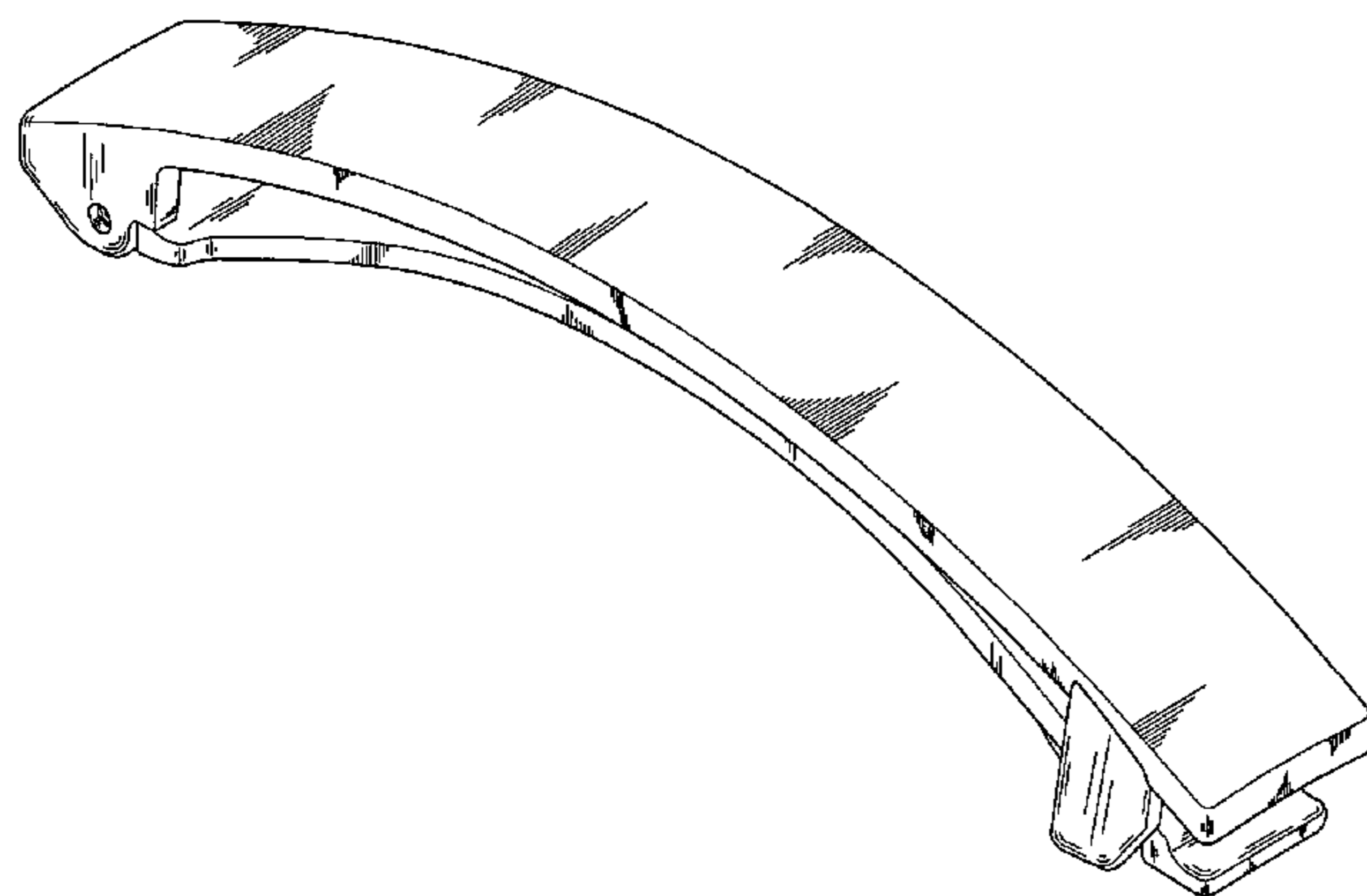
- 1,589,228 A * 6/1926 Robb 24/532
- 2,767,721 A * 10/1956 Cockley 132/278
- D309,835 S * 8/1990 Stone et al. D6/328
- 5,259,405 A * 11/1993 Hua-Chou 132/279
- 6,095,155 A * 8/2000 Criscuolo 132/278
- D511,863 S * 11/2005 Lau D28/42

FIG. 6 is a top plan view thereof;

FIG. 7 is a bottom plan view thereof, wherein the broken lines are for environmental purposes only and form no part of the claimed design; and,

FIG. 8 is a perspective view thereof, illustrating an opening configuration of the hair clip.

1 Claim, 5 Drawing Sheets



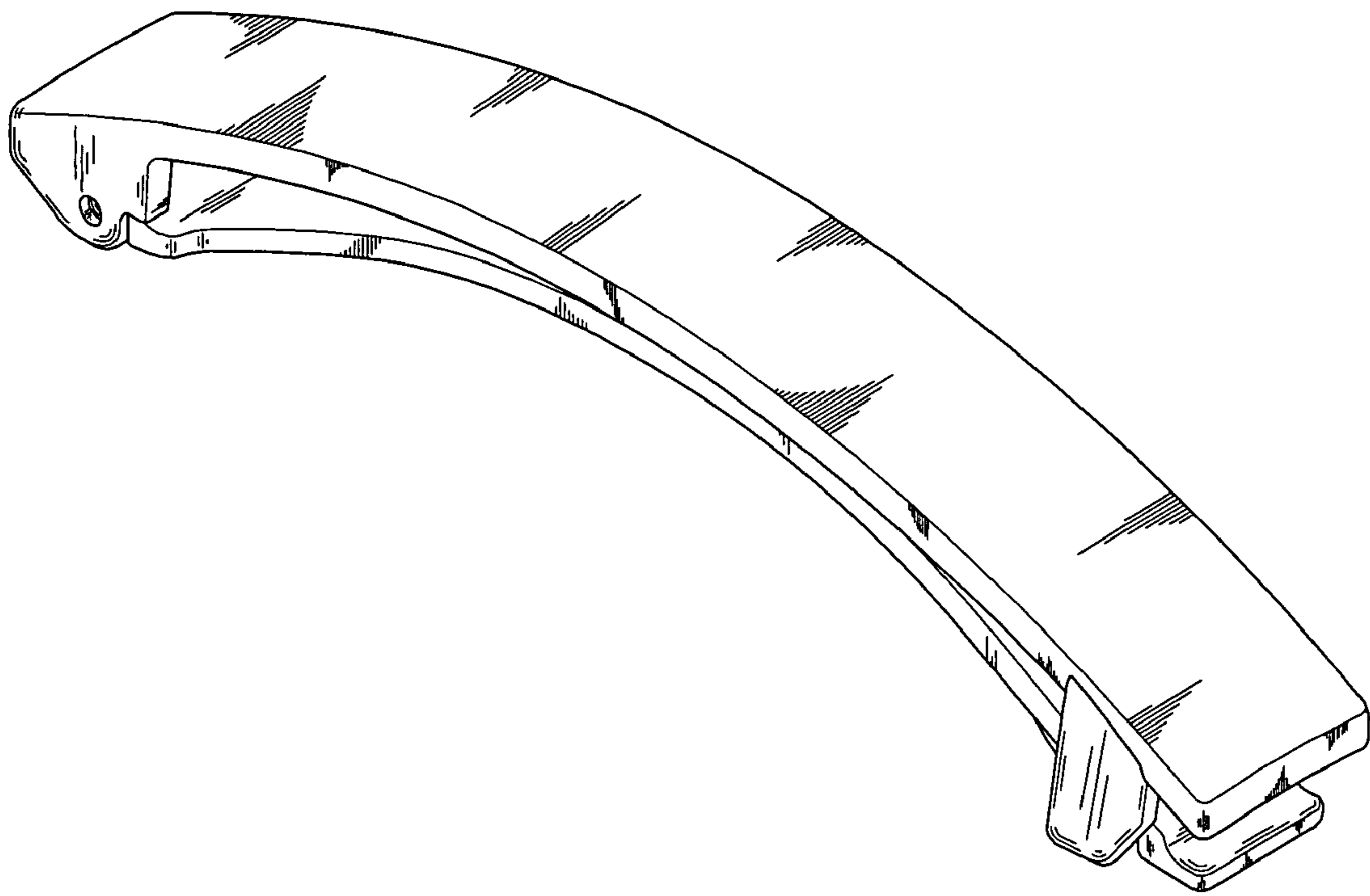


FIG. 1

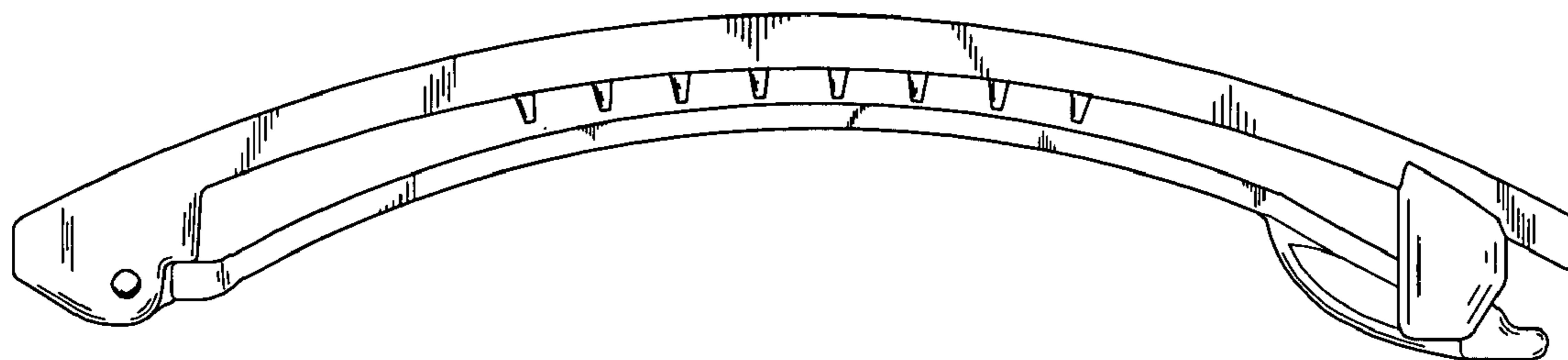


FIG. 2

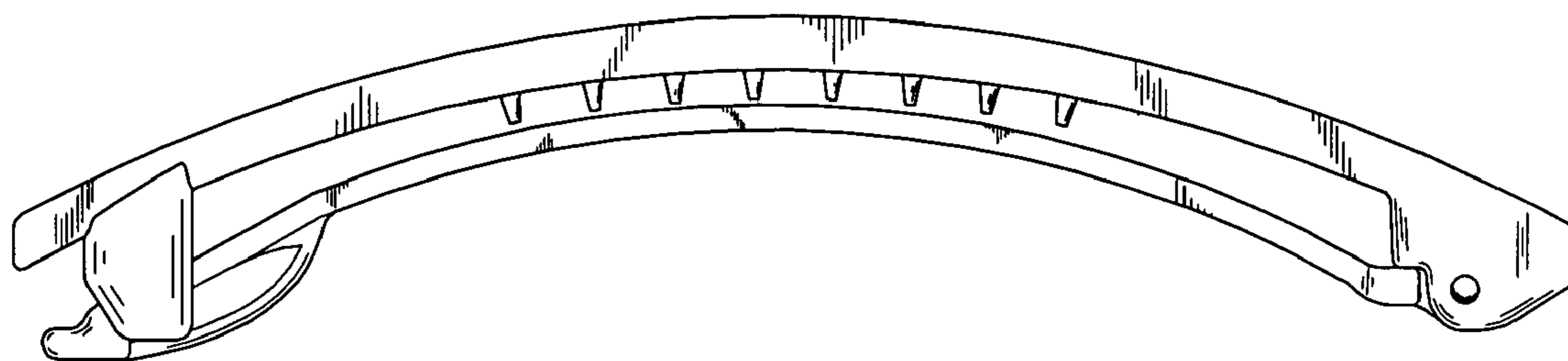


FIG. 3

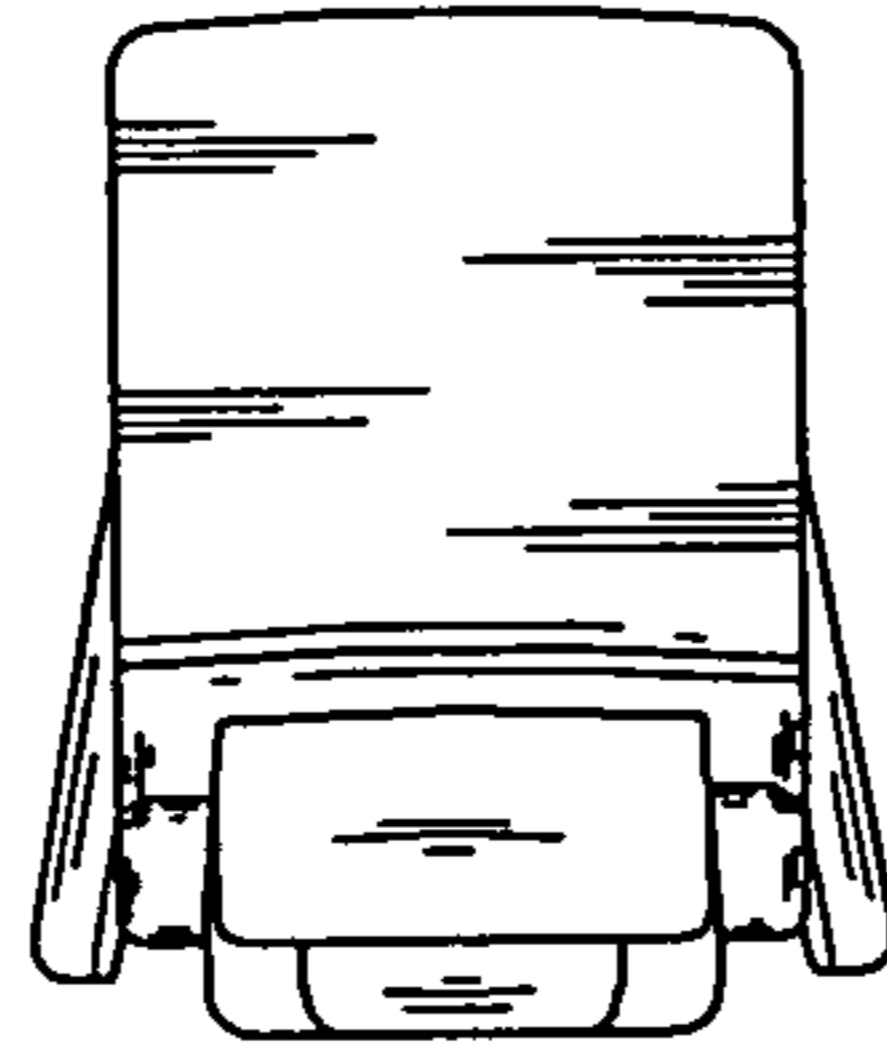


FIG. 4

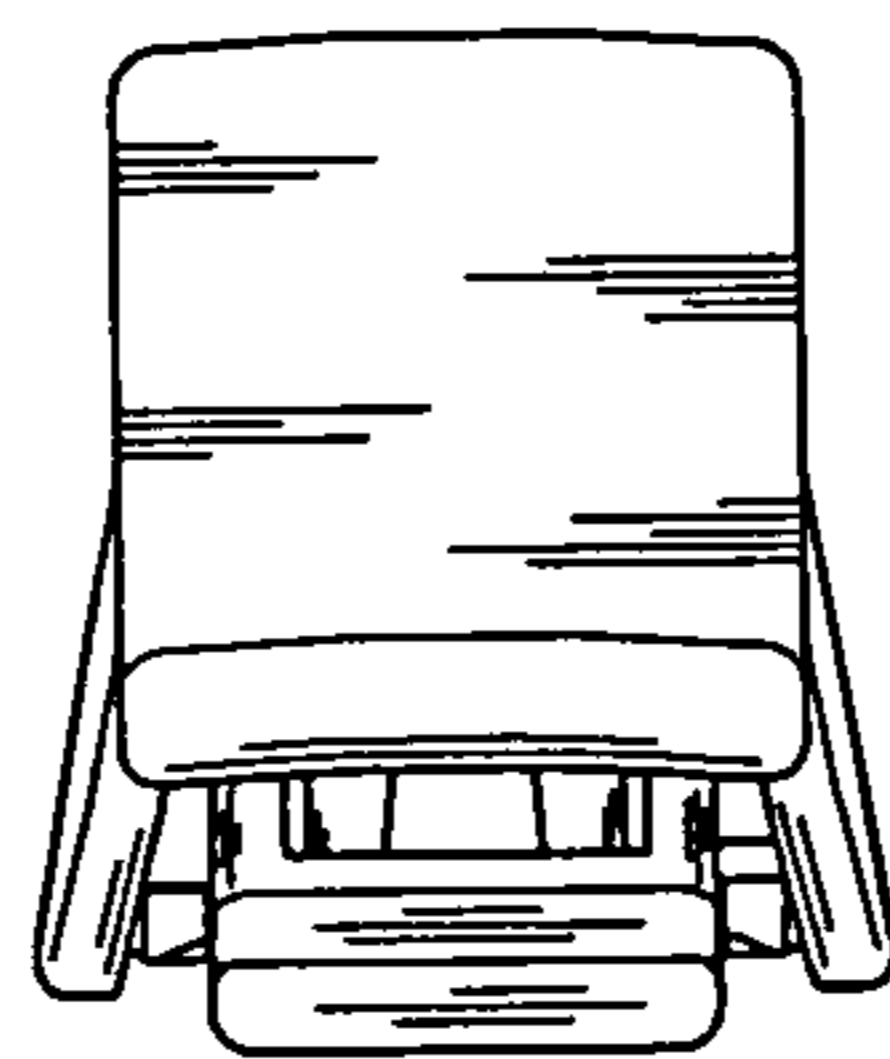


FIG. 5

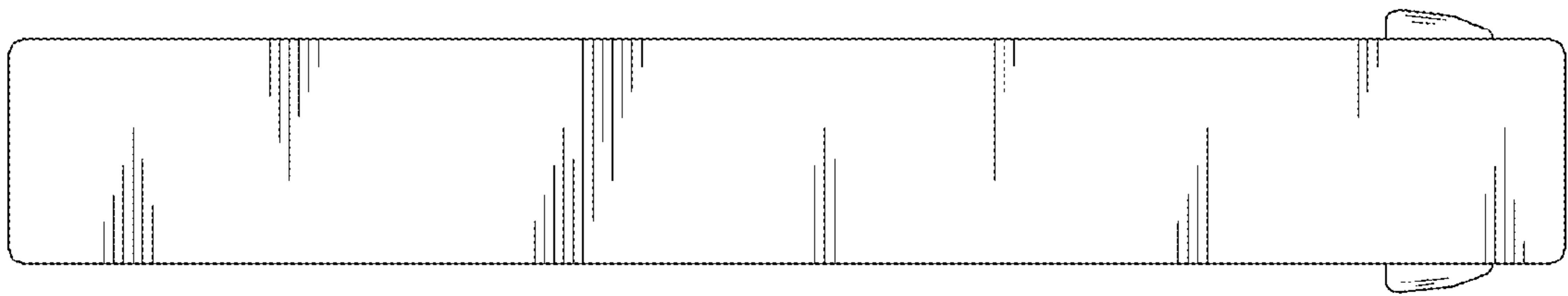


FIG. 6

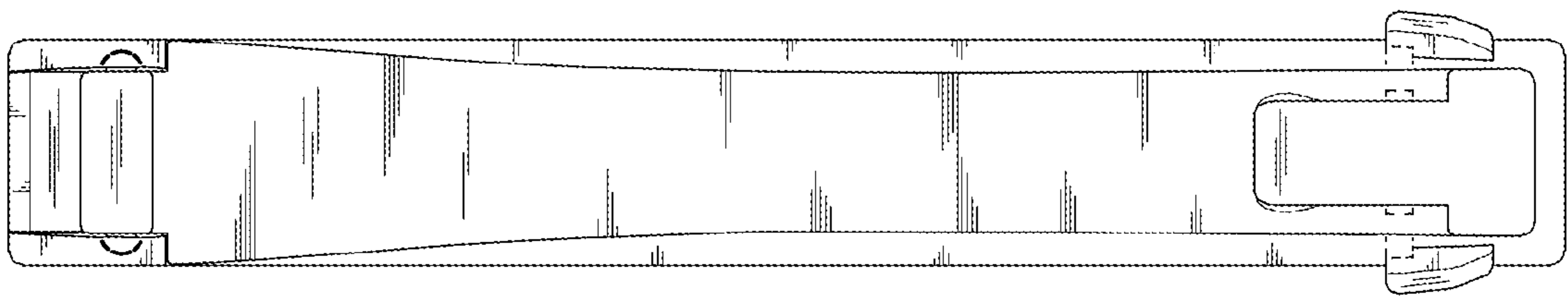


FIG. 7

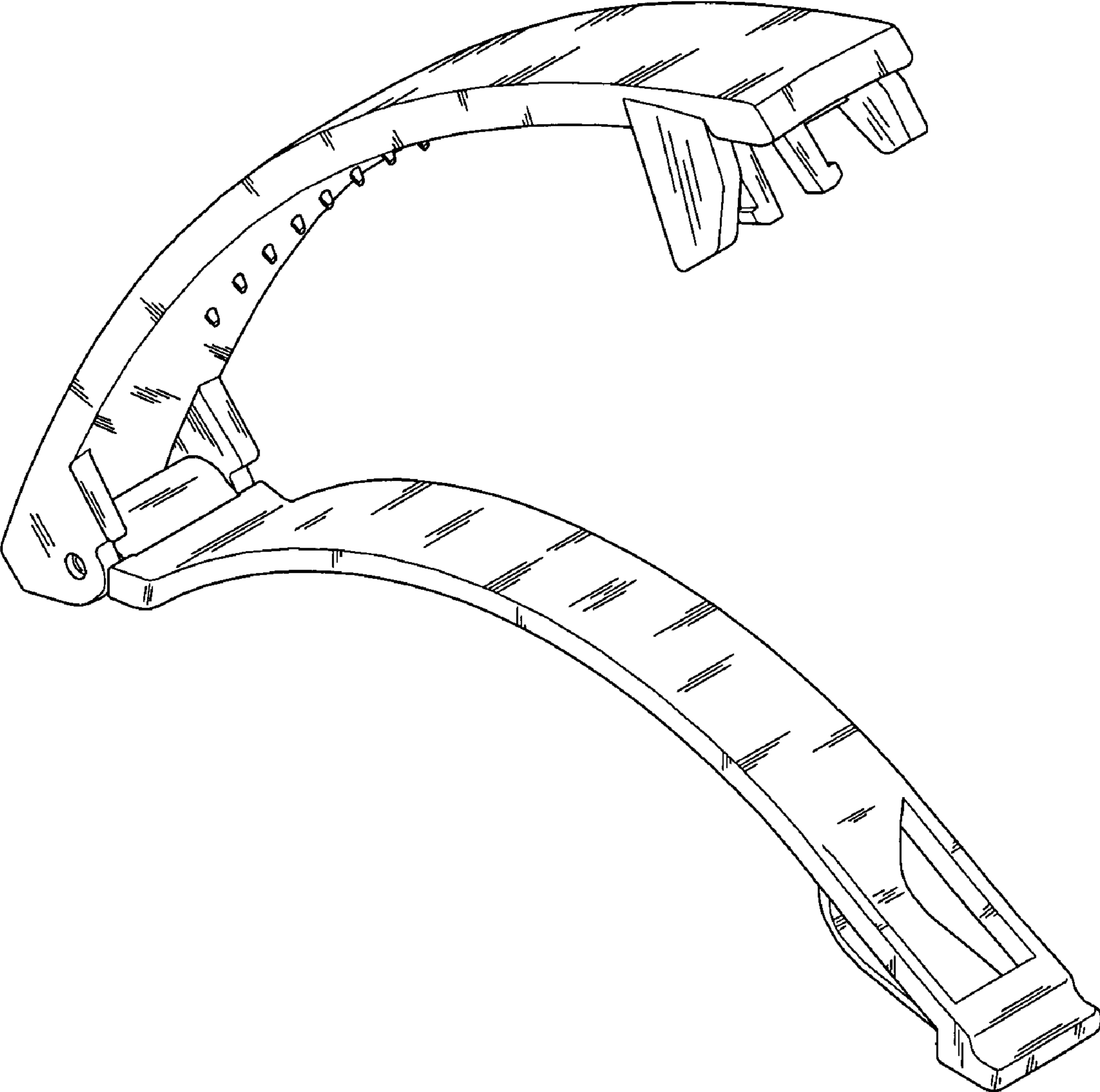


FIG. 8